

# NEWPORT ER7120-CBOX

STEP LIGHTS

PROJECT

## DESCRIPTION

Die cast wet location back box compatible with the ER7120 and ER9420.



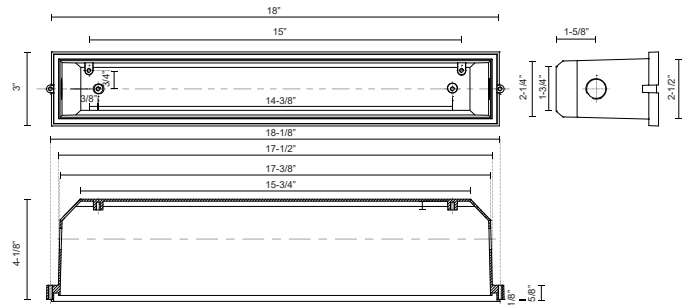
## SPECIFICATION DETAILS

**Fixture Dimensions** W18" x H3" x E4-1/8"

**Location** Wet

\* For custom options, consult factory for details.

\* For warranty information, please visit [www.kuzcolighting.com/warranty](http://www.kuzcolighting.com/warranty)



# KUZCO

CANADA: 19054 28TH AVENUE - SURREY, BC V3Z 6M3

USA: 3035 E. LONE MOUNTAIN ROAD - LAS VEGAS, NV 89081

[WWW.KUZCOLIGHTING.COM](http://WWW.KUZCOLIGHTING.COM)

© 2017 KUZCO LIGHTING. ALL RIGHTS RESERVED.

## COMMENT

