

# NEWPORT ER7110-MBOX

STEP LIGHTS

PROJECT

## DESCRIPTION

Dry location back box compatible with the ER7110 and ER9410.



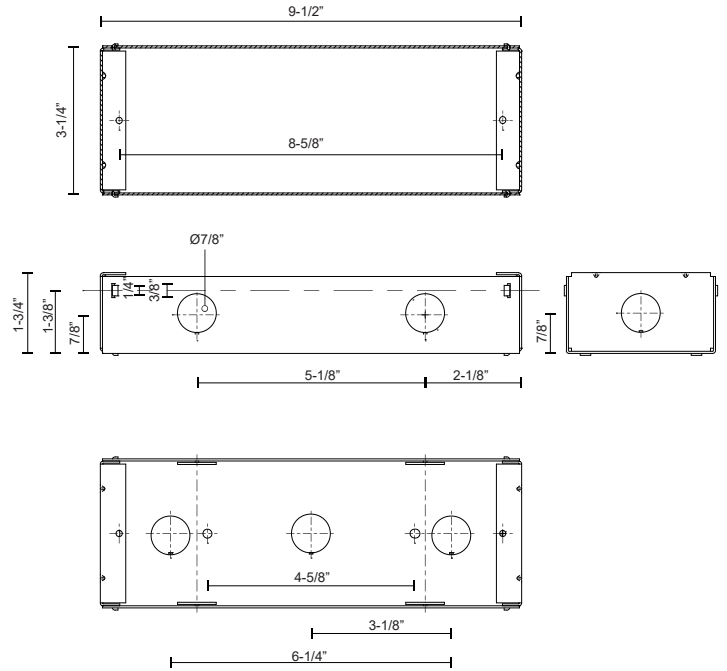
## SPECIFICATION DETAILS

**Fixture Dimensions** W9-1/2" x H3-1/4" x E1-3/4"

**Location** Dry

\* For custom options, consult factory for details.

\* For warranty information, please visit [www.kuzcolighting.com/warranty](http://www.kuzcolighting.com/warranty)



# KUZCO

CANADA: 19054 28TH AVENUE - SURREY, BC V3Z 6M3

USA: 3035 E. LONE MOUNTAIN ROAD - LAS VEGAS, NV 89081

[WWW.KUZCOLIGHTING.COM](http://WWW.KUZCOLIGHTING.COM)

© 2017 KUZCO LIGHTING. ALL RIGHTS RESERVED.

## COMMENT

