

# SAMPSON 401207-LED

## PENDANTS

PROJECT



401207WH-LED  
White



401207BK-LED  
Black

### SPECIFICATION DETAILS

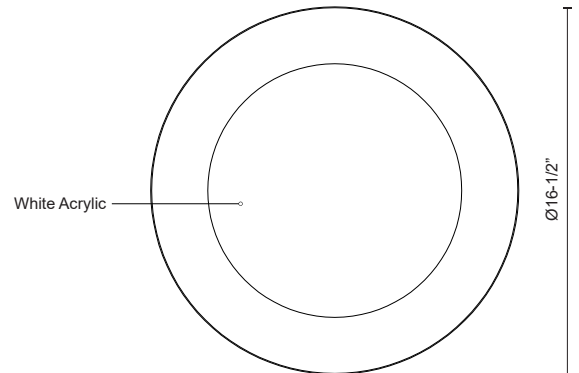
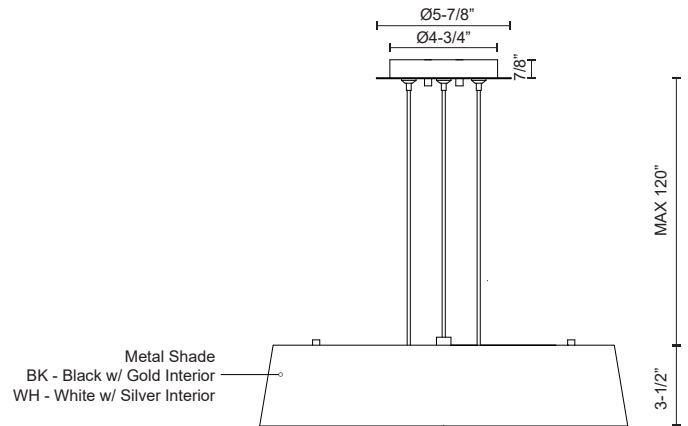
<b>Fixture Dimensions</b>	D16-1/2" x H3-1/2"
<b>Light Source</b>	AC LED Module
<b>Wattage</b>	26W
<b>Total Lumens</b>	1600lm
<b>Delivered Lumens</b>	BK-957lm; WH-975lm;
<b>Voltage</b>	120V
<b>Color Temperature</b>	3000K
<b>CRI (Ra)</b>	90CRI
<b>Optional Color Temps</b>	2700K - 5000K Available, Minimum Order Quantities Apply
<b>LED Rated Life</b>	50,000 hours
<b>Dimming</b>	100% - 10%, ELV Dimmer (Not Included)
<b>Diffuser Details</b>	White Acrylic Diffuser
<b>Shade Details</b>	Spun Aluminum Shade
<b>Adjustable</b>	Yes
<b>Wire Length</b>	120" Max
<b>Wire Type</b>	Clear SSL Wire
<b>Minimum Hang Height</b>	8"
<b>Sloped Ceiling Adaptable</b>	Yes
<b>Location</b>	Dry
<b>CEC Title 24 JA8</b>	Yes, JA8-2022
<b>Energy Star Certified</b>	Energy Star Compliant
<b>Canopy Dimensions</b>	D5-7/8" x H7/8"
<b>Paint Finish</b>	BK01; WH01;

\* For custom options, consult factory for details.

\* For warranty information, please visit [www.kuzcolighting.com/warranty](http://www.kuzcolighting.com/warranty)

### DESCRIPTION

The Sampson pendant envelops a luminous opal dome that casts light down and outward, showcasing the metallic inner shade coating. Contrasting the powder-coated interior the substantial surfaces of the drum exterior are matte, emphasizing the visual impact of the lamp. Available in two curated color combinations, Black with Gold or White with Silver.



# KUZCO

CANADA: 19054 28TH AVENUE - SURREY, BC V3Z 6M3

USA: 3035 E. LONE MOUNTAIN ROAD - LAS VEGAS, NV 89081

[WWW.KUZCOLIGHTING.COM](http://WWW.KUZCOLIGHTING.COM)

© 2010 KUZCO LIGHTING. ALL RIGHTS RESERVED.

### COMMENT

