

OWNERS MANUAL

ECOJET



LEADER[®]
PUMPS

OPERATING INSTRUCTIONS

ECO-JET

Self-priming pumps ideal for supplying water for domestic and irrigation applications.

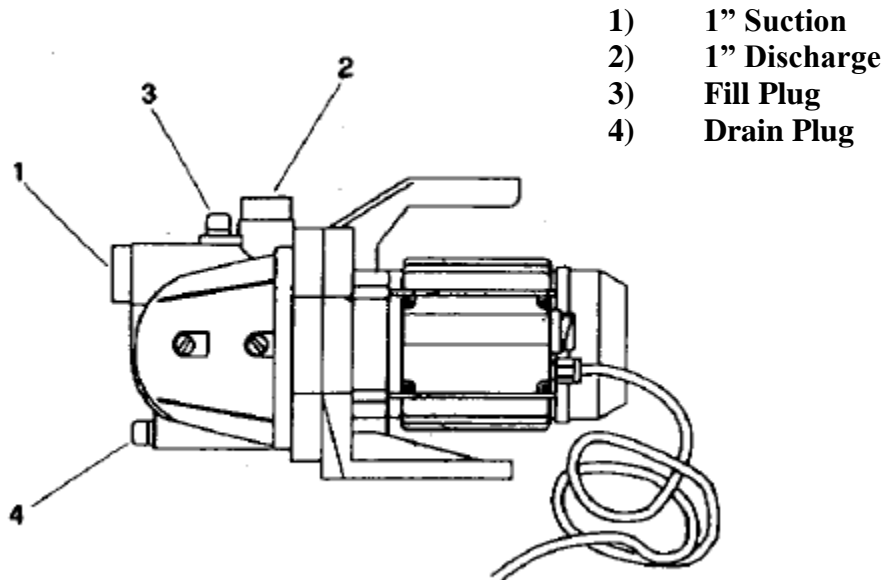


Fig. A

115V/60Hz

Dear Customer,

We congratulate you on the purchase of this quality product from Leader Pumps.



1. WARNING

For its proper and trouble-free operation it is important to carefully read and follow these operating instructions and to fully observe all warnings. For safety reasons, people who are not familiar with these operating instructions should not use the pump, especially children under the age of 16. Please keep them away from the connected unit and during its installation. For the proper use of this garden pump it is essential to follow the given operating instructions provided by the manufacturer, before installing or servicing any pump, be certain pump power is disconnected to avoid any possible electric shock. Conformity with federal, State and local electric codes are mandatory. The National Electric Code requires that a ground fault circuit interrupter (GFCI) be used in the branch circuit supplying sump, utility, effluent and all fountain pumps, pool pumps and other pond equipment. Consult a licensed electrician or your power company if in doubt.

OPERATING INSTRUCTIONS

- The unit is supplied with a grounding conductor and a grounding type plug.
- To reduce risk of electric shock, connect only to a properly grounded electrical circuit equipped with an interrupter device. For all electrical connections, a separate line with a fuse or circuit breaker switch should be run from the meter, or breaker box, and properly grounded.
- Do not remove the grounding pin from the plug.
- This pump is not intended, nor has it been investigated, for use in pool areas.
- This pump is designed for 115- Volt - 60 Hz operation. Be Sure the supply voltage is the same,
- This unit is not designed, nor intended, for the pumping of chemicals or corrosive liquids. This will shorten the life of the unit, expose user to possible personal harm, and void the warranty.
- Never pump gasoline or other flammable liquids or operate in the areas where flammable or explosive fumes are present as fire or explosion could occur.
- Unit features can be read on one side of its packaging.
- Piping must be protected against freezing which will cause damage and void the warranty.
- Do not run pump dry. If the pump is dry, damage will result and void the warranty.
- This pump must be primed before running.

2. PUMP FEATURES

- Built—in handle for portability and ease of handling.
- Garden hose fitting included for discharge
- Suction lift capability to 25 ft.

3. USE AND APPLICATIONS

This pump is intended to be used for irrigation of green areas, yards and vegetable gardens. For operating irrigators and sprinklers; suction of water from ponds, tanks, cisterns and fountains.

4. INSTALLATION AND STARTING OPERATION.

Before putting the pump into operation it is absolutely necessary to carry out the following operations:

- a) The diameter of the suction and lines should correspond to the diameter of the connections of the pump housing (1") (see point 1 and 2 of previous page). For a suction height of over 12 ft. A suction hose with a greater diameter should be used.
- b) Fit the suction lines with the foot valve to the pump (at point 1), avoiding siphons, counter slopes and stand the pump on solid, flat level ground.
- c) Fit the delivery line at point 2
- d) **IMPORTANT** Before operating for the first time, the pump must be filled to the top with fresh water through the delivery connection. The filling operation must be carried out very slowly. Wait few minutes until air comes out and fill again to the top.

OPERATING INSTRUCTIONS

e) Put into operation the pump and wait for the suction of the water. If nothing occurs after 2-3 minutes, switch off the pump, unplug and repeat the whole operation (from point d.) It will be necessary to recheck pump's installation. During checking operations always remember to take out the plug.

Possible causes may be a leak in suction line letting air in, faulty foot or check valve, suction line not completely submerged or damaged, too high suction lift, clogged suction filter or closed outlet.

For all electrical connections, a separate line' with a fuse switch should be run from the meter, or breaker box and properly grounded.

Open all shut-off devices in the pressure system of the pump (e.g.) spray nozzle or faucet), so that air can escape during the printing operation,

The temperature of the water must never exceed 35° C or 100° F.

Always unplug the pump before working on it, in case of maintenance.

Do not place or submerge the pumps into water.

Always use a suction line with an installed check valve or foot valve; this will allow ease priming when starting the pump.

5. SAFETY INFORMATION

- Always disconnect electricity to the unit before handling it.
- Do not lift the unit by the power cord.
- Do not pump heated liquids. Max. Temperature 35° C or 100° F.
- Conformity with local and State electric codes is mandatory. Consult a licensed electrician or your power company if in doubt.
- Power cables as well as extension cables may be done using same cord type.
- Take care that connections are done in areas protected from flooding.
- Before installation please check for} any damage to the unit (e.g. power cable and plug).

6. WARRANTY

The ECOJET series pumps are warranted to the user against defective material and workmanship under normal use for a period of 12 months from the date of purchase by the purchaser. Replacement liability in all events is limited to the replacing or repairing at LEADER's sole discretion of any or parts which are defective in material or workmanship.

OPERATING INSTRUCTIONS

Proof of purchase is required on all claims in the form of invoice copy, sales ticket, etc.

APPLICATION: Warranty covers only properly installed and maintained units. Warranty is limited to application at normal temperature (up to 35°C or 100°F) and pumping fresh water.

SITUATIONS NOT COVERED: this limited warranty does not cover product failures resulting from the following:

- handling flammable liquids, solvents, strong chemicals or severe abrasive solutions;
- handling liquids hotter than product rating
- Normal wear
- Commercial or industrial use
- running pumps dry

If the pump can't be returned to the business where it was purchased :

Warranty claims must then be made by returning the defective LEADER pump freight paid along with proof of purchase

Please call (803) 797-5002 for a "UEC" number before returning to:

DAB PUMPS INC

**Customer Service Dept. 3226 Benchmark Drive,
Ladson, South Carolina 29456 - U.S.A.**

All items returned will be inspected to determine the cause of failure before warranty is approved.

Before returning your unit to our store and to insure that your defective pump will be covered by warranty - call us at (803) - 797-5002.

INSTALLATION and/ or REMOVAL CHARGES:

Warranty does not cover any costs associated with the installation or removal of products subject to warranty claims. If products were damaged in transit please file a claim with the carrier. .

OPERATING INSTRUCTIONS

DISCLAIMER: Any oral statements about the product made by the seller, the manufacturer, the representatives or any other parties, do not constitute warranties, and should not be relied upon and are not part of the contract for sale. Seller's and manufacturer's only obligation, and buyer's and user's only remedy, shall be for the manufacturer to either replace / or repair at the manufacture's sole discretion the LEADER product as described above.

Neither seller nor the manufacturer shall be liable for any injury, loss or damage, direct, incidental or consequential (including, but not limited to, incidental or consequential damages for lost profits, lost sales, injury to person or property, or any other incidental or consequential loss), arising from any cause whatsoever, no matter based upon warranty, contract, negligence or other misuse, and the buyer and user agree that no other remedy shall be available to them, Before using, the buyer and user shall determine the suitability of the product for the intended use, and assumes all risks and liability whatsoever in connection therewith.

The warranty and remedy described in this limited warranty is an EXCLUSIVE warranty and remedy and IN LIEU of any other warranty or remedy, expressed or implied, which other warranties and remedies are hereby expressly EXCLUDED, including but not limited to any implied warranty of MERCHANTABILITY or FITNESS for a PARTICULAR PURPOSE. This warranty gives buyer and user specific legal rights, and buyer and user may also have other rights which vary from state to state. Some states do not allow the exclusion or limitation of incidental or consequential damages, so the above limitation or exclusion may not apply you.

All warranties are voided if alterations are made to the electric cord or plug not in accordance with Safety Information (§nr..) or if the unit is wholly or partially disassembled beyond the instructions in the troubleshooting section.

OPERATING INSTRUCTIONS

10. OPERATING PROBLEMS

PROBLEM	CAUSE	CORRECTIVE ACTION
Pump does not prime	See point nr. 4 — Operation information	
The pump does not run	1. Not plugged in 2. Thermal overload or Amperometric protection tripped due to: a) Overheating (the pump ran with hot water or ran dry) b) Shaft blocked c) Impeller blocked	1. Check the plug. 2. Remedy to : a) Press the amperometric protection reset button on the pump (only ECOJET models 120 and 130) or wait until thermal protector switches back on after adequate cooling time allowed. b) Unplug the pump and with a screwdriver twist the rear shaft side. c) Unplug the pump, disassemble the pump and clean it and remove the causes of the overload / overheating switch off.
The pump runs but does not deliver	1. Air in the pump housing 2. Air bubbles in the suction line 3. Pump not primed	1. Unplug the pump. Take out discharge line; shake the pump and suction pipe. Fill up pump housing with water ; fit discharge line and switch on the Pump 2. Verify that suction line and fittings are fixed tight and that foot valve is correctly mounted on suction line. 3. Read priming instructions

We expressly point out that in accordance with product liability law - we are not liable for damage caused by our equipment if it is due to improper repair or if parts have been exchanged not using our original Leader parts or parts approved by us and if the repairs were not carried out by a Leader Service centre or an authorized electrician.

11. APPROVAL AND CONFORMITY MARKS



LEADER[®]
PUMPS



DAB Pumps Inc.
3226 Benchmark Drive
Ladson, SC 29456 USA

TEL: 1-843-797-5002
FAX: 1-843-797-3366