

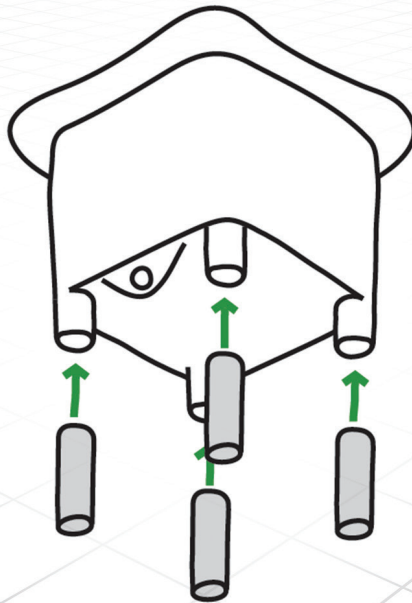
# THE Bucket Company

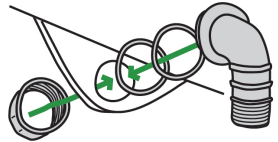
The WEIGHT is over!

## INSTRUCTION MANUAL

5 GALLON AND 10 GALLON

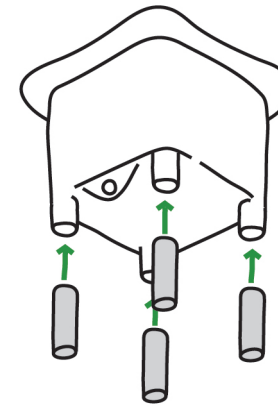
**Drainage Assembly**  
**Manifold Assembly**



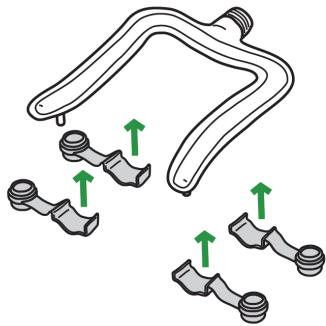


Drainage Assembly: *See page 1*

1



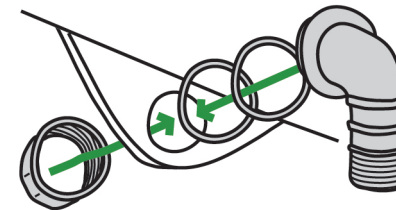
**Step #1:** Insert (4) 1-1/4" PVC Legs into the bottom ports of the planters.



Manifold Assembly: *See page 3*

*Recommended pump size per kit:*  
500-600 GPH +

2



**Step #2:** Remove grommet and insert the 90° Elbow into the drain port of the planter. Install washers on the outside and screw the nut on the inside until securely tightened.

## Company Information

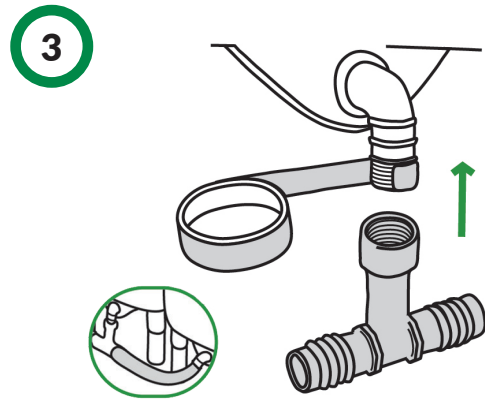
[www.thebucketcompany.com](http://www.thebucketcompany.com)

(786) 580- 3990 | [sales@thebucketcompany.com](mailto:sales@thebucketcompany.com)

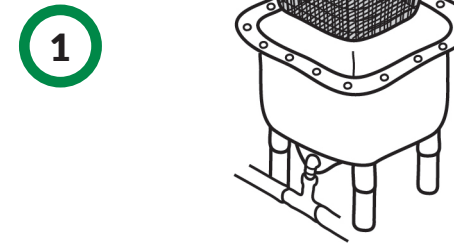
Copyright © 2020 The Bucket Company

**Note:** Please make sure all gaskets are NOT distorted when hand tightened and all other fittings are sealed water tight before moving on to Step #3.

**Note:** Start the Drainage line with the 90° Elbow at a 45° angle towards the next planter in line which will have the Dropdown Tee Fitting to create a downward slope. Start the drainage line from the last Planter in your row with the Elbow fitting at a 45° angle. Aim it towards the next planters in line that will have the dropdown Tee Fitting. Doing so creates a downward slope which helps with the overall draining process!

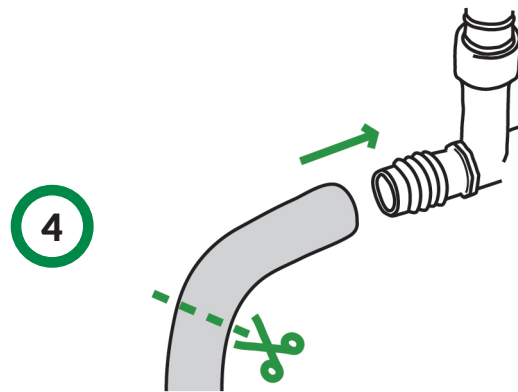


**Step #3:** Add Teflon Tape to the threads of fittings for a water tight seal before connecting the 1/2" FPT - 3/4" Barb Dropdown Tee to the 90° Elbow which is recommended to assist with drainage.



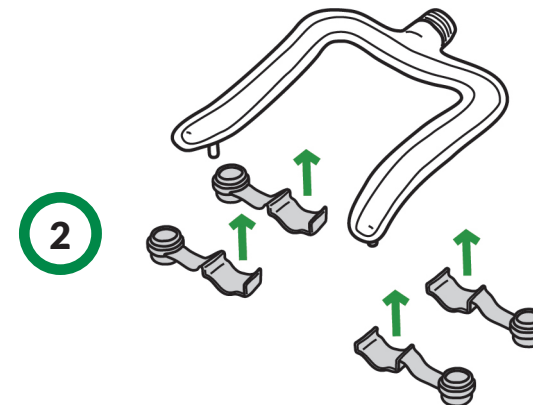
**Step #1:** Place the Reusable Screen Inserts inside of your planters.

**Note:** Do NOT fill the Screen Insert with growing medium until AFTER it is installed into the planter.



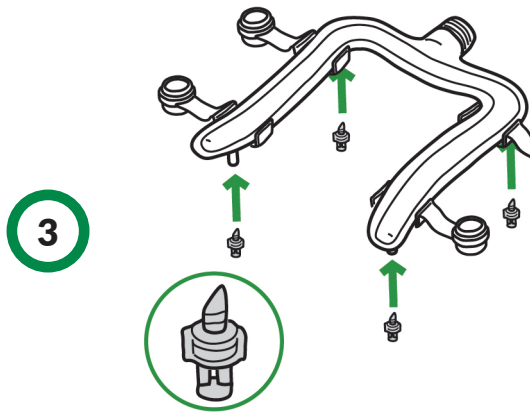
**Step #4:** Cut the 25FT 3/4" Vinyl Tubing to your desired lengths for planter assembly. Start the connection from the planter with the slanted 90° Elbow and continue towards drain location/ Runoff Pump. Continue to do this until all drainage lines have been connected.

**Note:** For proper downward drainage, maintain a straight leveled drain line so no water builds up or backflows into your planters.



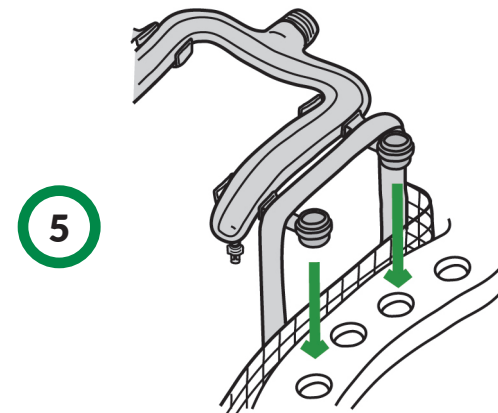
**Step #2:** Slide (4) Irrigation Manifold Brackets (2 per side) underneath the Irrigation Manifold.

**Note:** Please make sure all gaskets are NOT distorted when hand tightened and all other fittings are sealed water tight before moving on to Step #3.



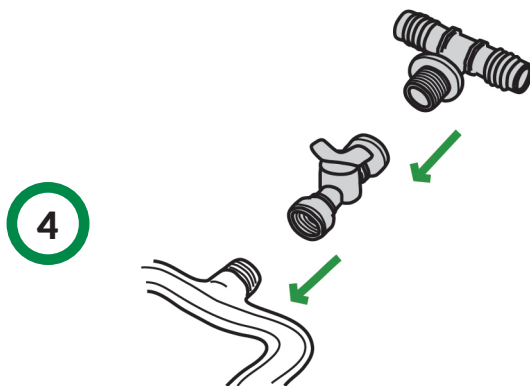
**Step #3:** Twist and insert (4) 360° Emitters into the Emitter ports under the Irrigation manifold until threads are completely inserted.

**Note:** Emitters can be turned and adjusted to direct water to your preferred area on the growing medium.

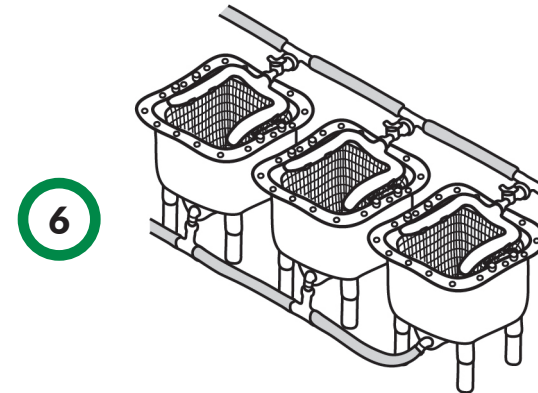


**Step #5:** Loop both handles of the Screen Insert around the Manifold Brackets. Then align the brackets with the mounting holes on the rim of the planter and push down firmly.

**Note:** This keeps your Screen Insert and growing medium firmly secured inside the planter.



**Step #4:** Hand tighten the 1/2" Double Female Union Valve onto Irrigation Manifold until Valve is securely tightened. Then install 1/2" MPT - 3/4" Barb Tee fitting to the other side of the Union Valve.



**Step #6:** Attach Vinyl Tubing to pump and align the 3/4" Vinyl Tubing with the assembled planters starting from your reservoir. After reaching the first planters in line, cut and connect the 3/4" Tubing to the 1/2" MPT - 3/4" Barb Tee Fittings. Continue to do this until all irrigation lines have been assembled.

**Note:** Connect the 3/4" End Cap to the last Barb Tee Fitting in your row to close off water from flowing in that direction.



THE  
Bucket+Company  
The WEIGHT is over!

[www.thebucketcompany.com](http://www.thebucketcompany.com)

(786) 580- 3990 | [sales@thebucketcompany.com](mailto:sales@thebucketcompany.com)

Copyright © 2020 The Bucket Company