



www.masabainc.com

Wash Plant

Portable 6' x 20' TD Screen over Twin 36" Fine Material Washer

Main Frame and Chassis

- Wide Flange Beam Chassis
- Custom Axle Configurations
- 11 x 22.5 radial tires
- Brakes
- Lights

Wash System

- Masaba Twin 36" x 25' Sand Screws
- Static Spray System
 - manifold spray bars
- Slurry Box with 2 Spray Bars
- Gate Valve to balance flow between screws
- 1/4" Mild Steel Under Screen Flume

(2) 24" x 11' Cross Conveyors

- 5 hp
- Dodge #3 Reducer

Platform and Deck

- Diamond plated flooring
- Kickplates and Double 2" Handrails
- Hinged Gates at Ladder Accesses

Features

- Paint
 - (1) Coat 2-part Primer
 - (1) Coat Urethane Paint
- Steel-shot blasted
- Owner's manual for start-up and maintenance
- Appropriate Guarding

Options

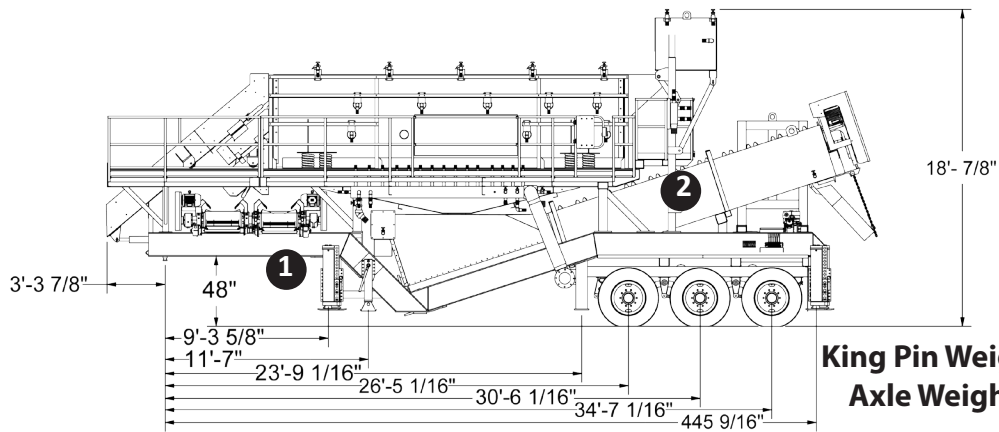
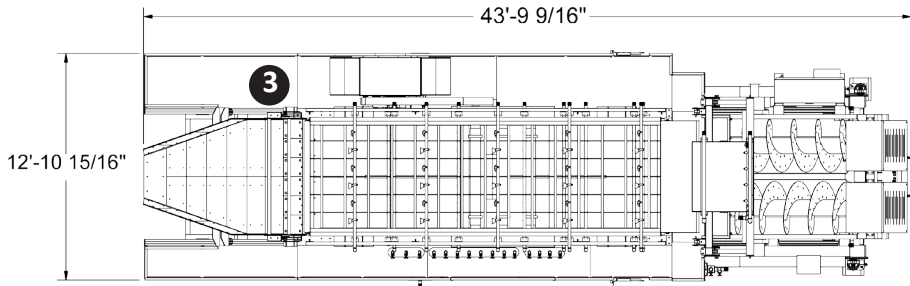
- Switchgear
 - NEMA Enclosure
 - (4) Extra 30 amp Breakers
- Variable Frequency Drive
- 13 hp Honda Electric Start Gas Power Unit
- Hydraulic Raise/Lower Slurry Box
- Hydraulic Roll Away Chutes
- Upgrade to (4) Masaba 70,000 lb Brute Run On Jacks

STRENGTH
YOU CAN **DEPEND** On!

MASABA Portable 6' x 20' TD Screen over Twin 36" Fine Material Washer

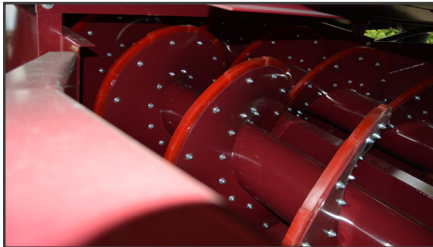
BENEFITS OF MASABA

Masaba Portable Wash Plants are designed for exceptional strength and maximum efficiency. Built on a Heavy Duty Wide Flange Beam Chassis (1), Masaba Wash Plants are the toughest available. Masaba's Twin 36" x 25' Fine Material Screw Washers (2) will efficiently remove all clays, slimes, and silts from your material. Easy maintenance is key for minimizing downtime. Masaba Portable Wash Plants use standardized parts and feature Fully Diamond Plated Platforms (3) complete with Double 2" Handrails and Kickplates.

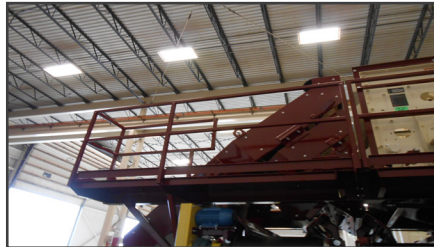


King Pin Weight: 26,670 lbs
Axle Weight: 51,060 lbs

NOTE: Listed weights are not exact. Actual weights will vary based on screen size, brand, options, etc.



Twin 36" Sand Screws



Fully Decked Platform
Double 2" Handrails



Heavy Duty Wide Flange
Beam Chassis



MASABAinc.com
1-877-627-2220
info@MASABAinc.com

REVISION December 2013

NOTE: SPECIFICATIONS ARE SUBJECT TO CHANGE WITHOUT NOTICE: Because MASABA, Inc. may use in its catalog & literature, field photographs of its products which may have been modified by the owners, products furnished by MASABA, Inc. may not necessarily be as illustrated therein. Also continuous design progress makes it necessary that specifications be subject to change without notice. All sales of the products of MASABA, Inc. are subject to the provisions of its standard warranty. MASABA, Inc. does not warrant or represent that its products meet any federal, state, or local statutes, codes, ordinances, rules, standards or other regulations, including OSHA and MSHA, covering safety pollution, electrical, wiring, etc. Compliance with these statutes and regulations is the responsibility of the user and will be dependent upon the area and the use to which the product is put by the user. In some photographs, guards may have been removed for illustrative purposes only. This equipment should not be operated without all guards attached in their normal position. Placement of guards and other safety equipment is often dependent upon the area and the use to which the product is put. A safety study should be made by the user of the application, and, if required, additional guards, warning signs and other safety devices should be installed by the user, wherever appropriate before operating the products.