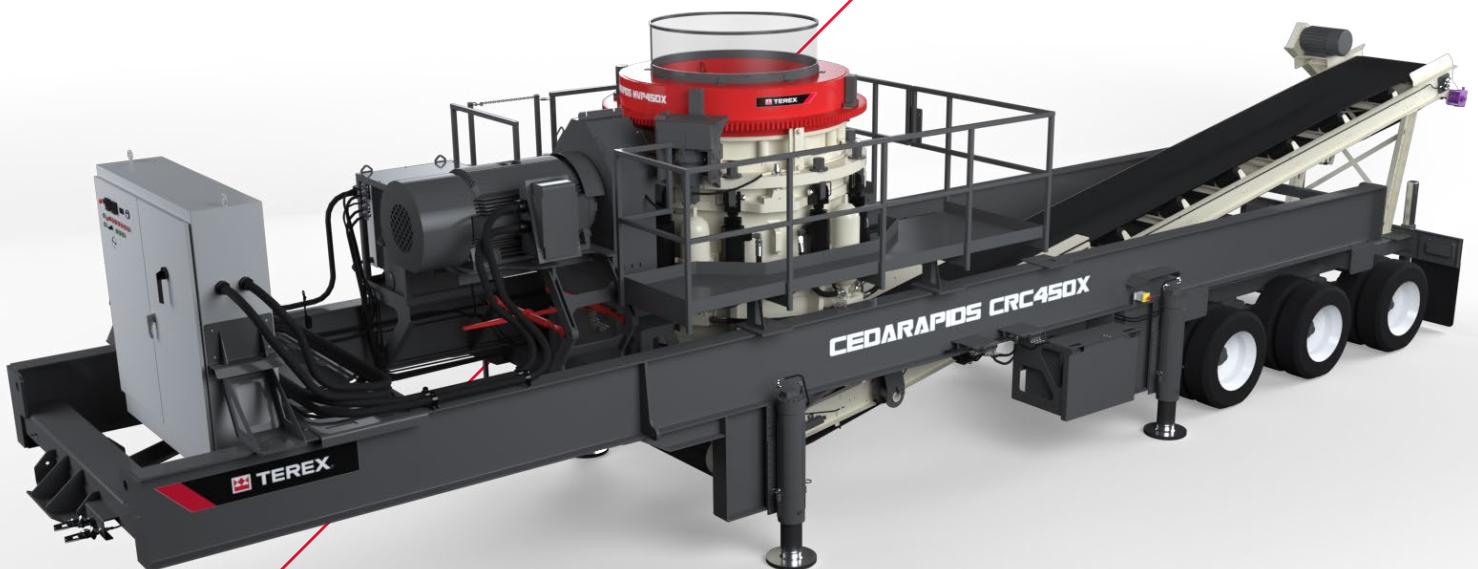


CEDARAPIDS®
A TEREX BRAND



Portable Plants

CRC450X
Cone Plant



A world working better™

 **TEREX® MPS**

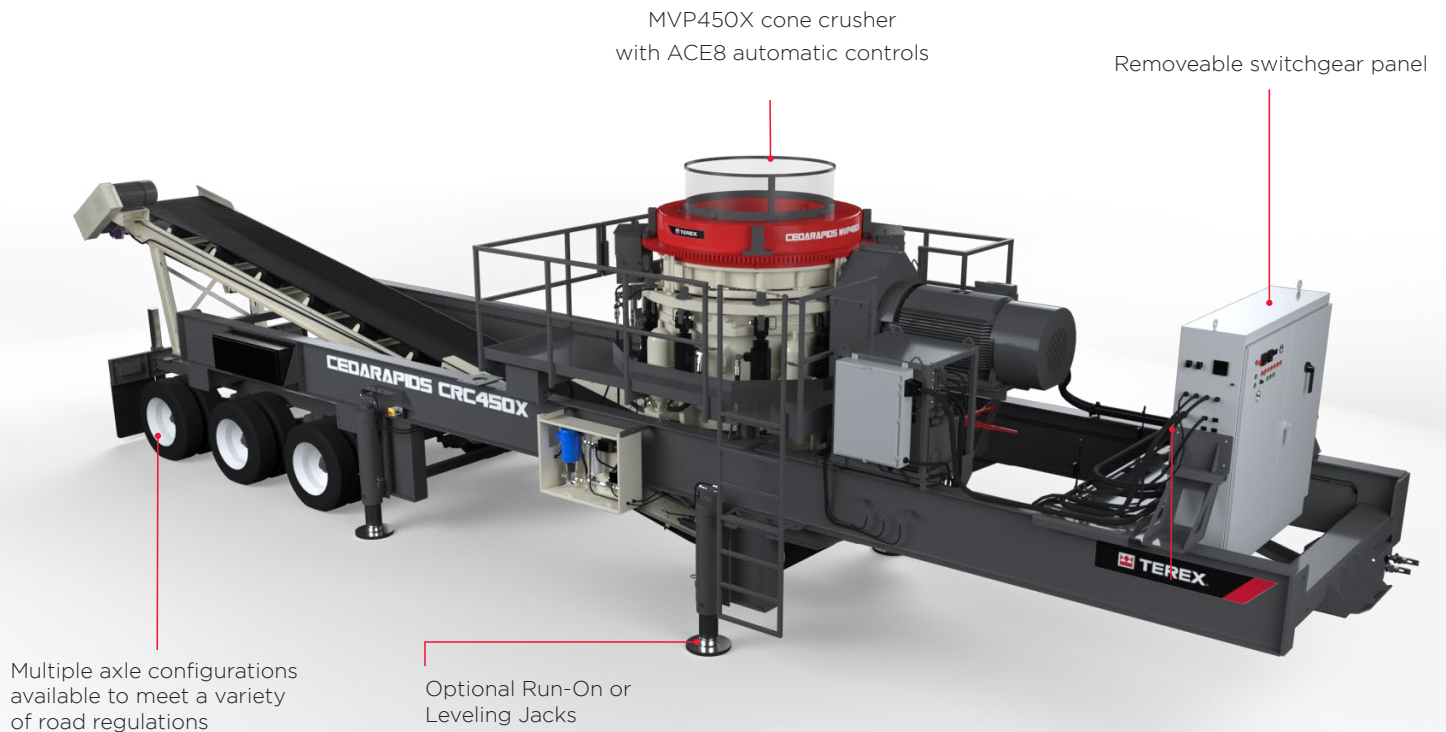
Cedarapids® Portable Plants

CRC450X Cone Plant

The Cedarapids® CRC450X cone plant is built for portability, especially for applications involving hard abrasive materials. This open circuit all electric plant can be tied in with any portable crushing operation and is commonly set up in secondary, tertiary, and quaternary crushing positions. The CRC450X is available with a variety of options including feed conveyors and extra length undercrusher conveyors.

Standard Features

- High efficiency MVP450X cone crusher with Rollercone® roller bearing construction
- Single 400 hp (296 kW) crusher motor with easy adjust cone crusher drive
- Mesh cone feed hopper extension
- “Straight-line” undercrusher conveyor; 42” x 34’6” (1067 x 10,515 mm); 15 hp (11 kW)
- 3-ply conveyor belt with vulcanized belt splice
- Service platforms around crusher with guard rails and access ladder
- Easy maintenance features
 - Ratchet cone drive belt tensioning
 - Remote grease lines
 - Ground access cone lubrication module
- Emergency stop buttons on both sides of frame
- Triple axle spring suspension
- Drop-down rear stabilizing legs
- Twelve 295/75 R22.5 tires
- Lockable 4’ (102 mm) long side-mounted storage box



Optional Equipment

- Oversized quick release cone surge hopper
- Crusher overflow chute to undercrusher conveyor
- Extended undercrusher conveyor with hydraulic adjust discharge; 42" x 45' (1067 x 13,716 mm); 15 hp (11 kW)* (in place of standard conveyor)
- Feed conveyor with hydraulic positioning (LH or RH); 36" x 36' (914 x 10,973 mm); 15 hp (11 kW)*
- Conveyor skirt boards
- Removable electrical switchgear panel with crusher soft start and push-button station
- Automatic CCM switchgear
- Hydraulic leveling or run-on jacks (gas, 12V or 24V powered)
- Power cables and quick disconnects
- Oversize 315/80 R22.5 tires
- Belt wipers

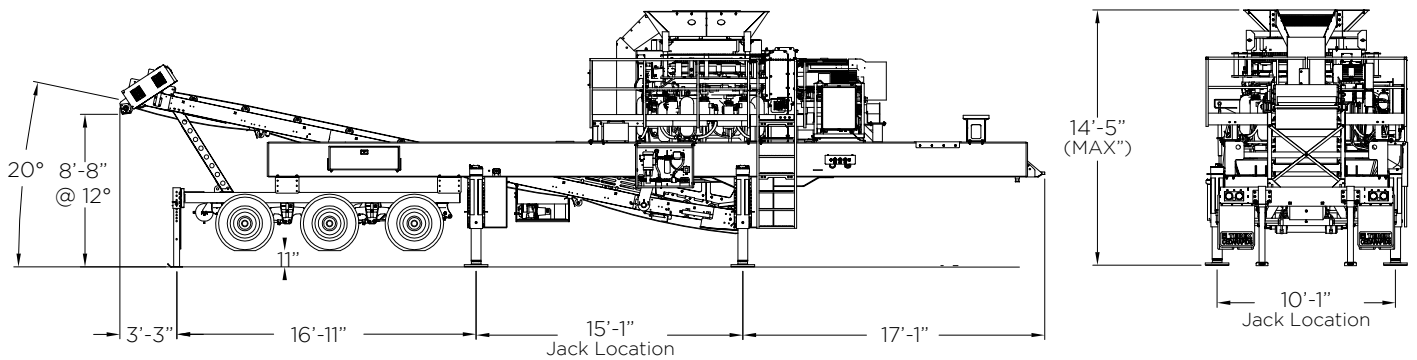
*Requires hydraulic leveling or run-on jacks option

Estimated Weights	Axles	Kingpin	Total
Plant with standard discharge conveyor	47,923 lb	48,500 lb	96,473 lb
Plant with optional extended undercrusher and feed conveyors	58,544 lb	47,918 lb	106,462 lb

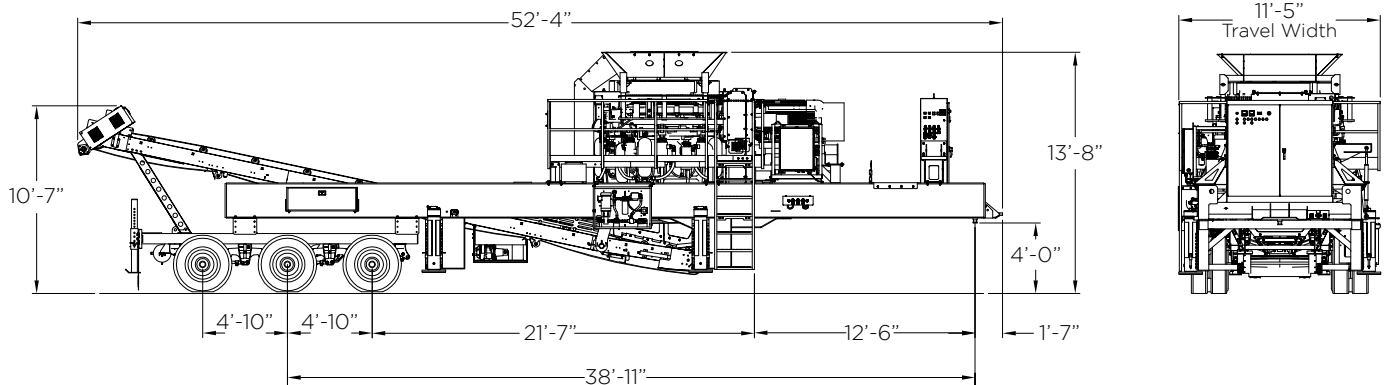
*Weights above include optional overflow chute, switchgear, and 4 run-on jacks

Power Requirements	hp	kw
Cone	400	296
Cone hydraulic pump	15	11
Cone lube pump	2	1.5
Straight-line undercrusher conveyor	15	11
Extended undercrusher conveyor (optional)	15	11
Feed conveyor (optional)	15	11

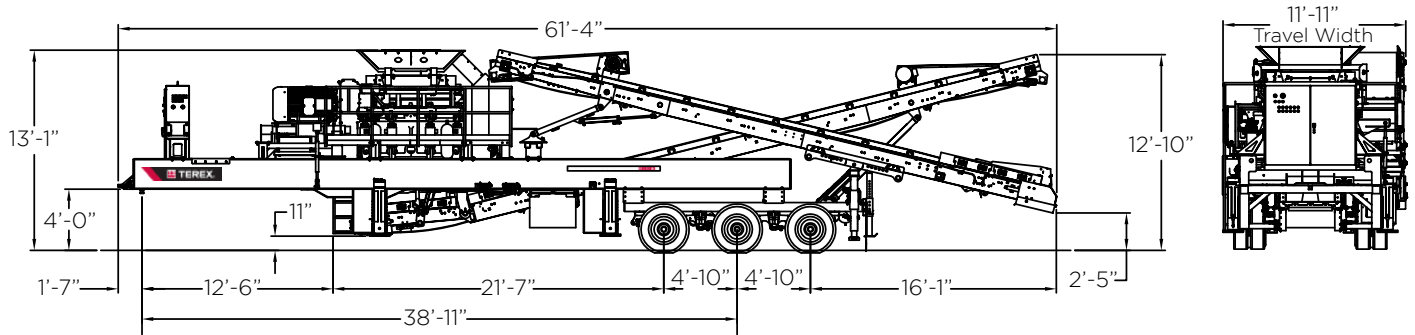
Transport Dimensions



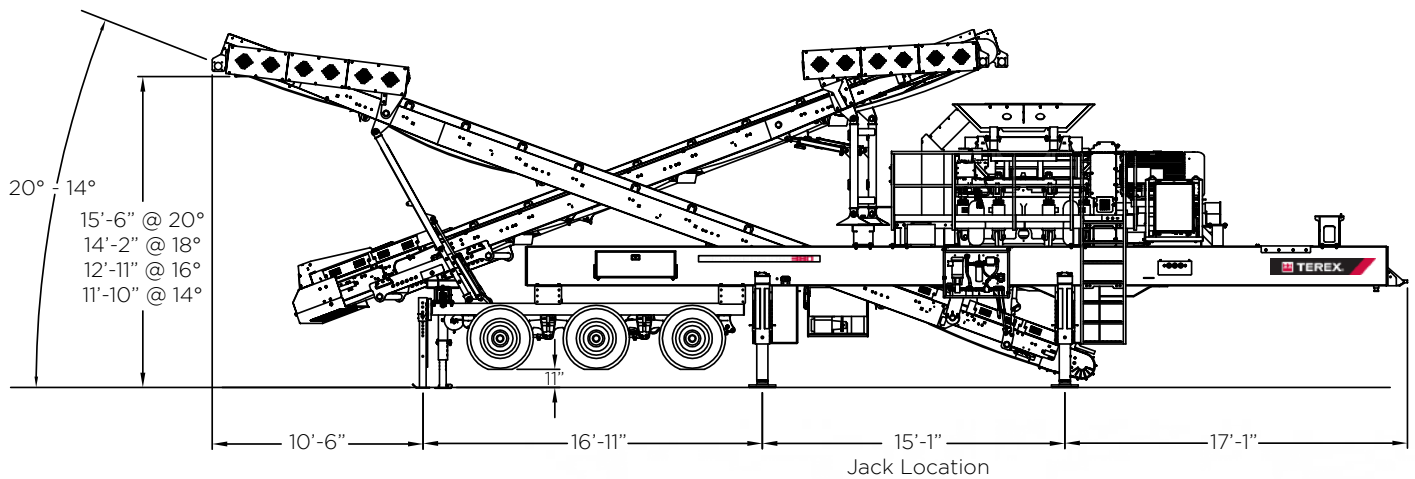
Working Dimensions



Transport Dimensions - Optional

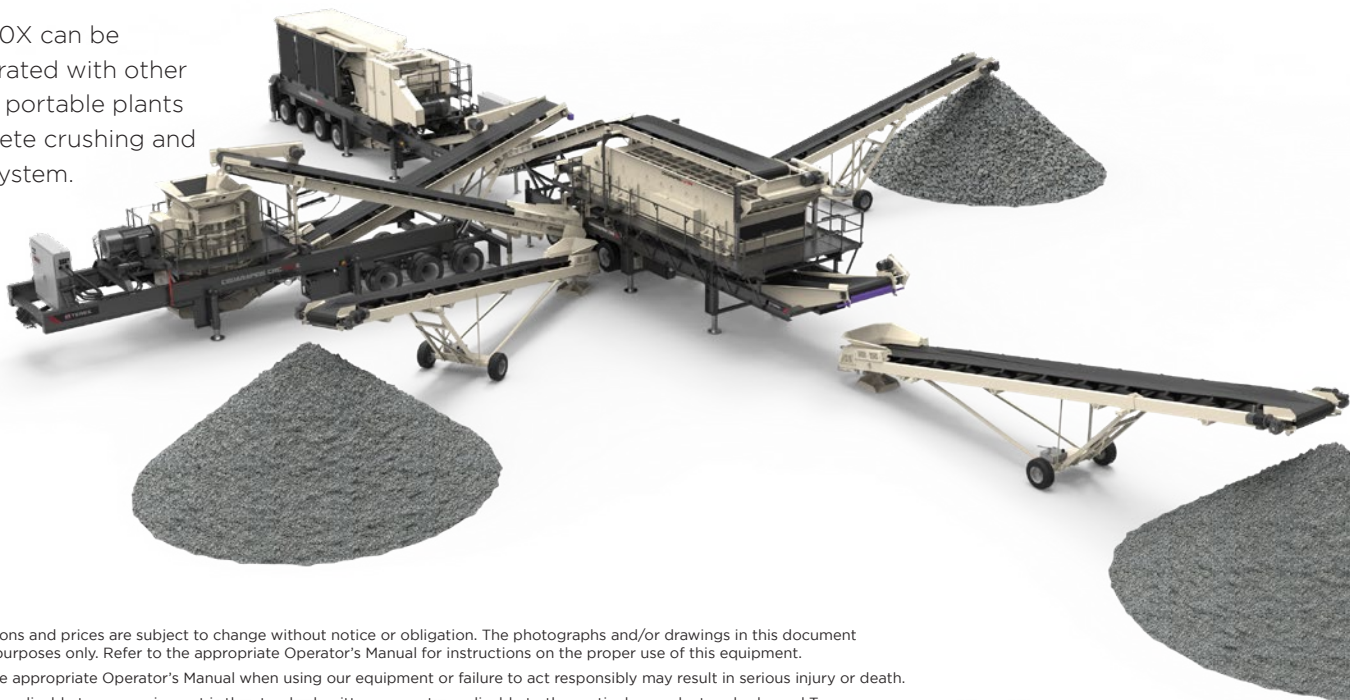


Working Dimensions - Optional



Note: All drawings shown with optional overflow chute, switchgear and run-on jacks

The CRC450X can be easily integrated with other Cedarapids portable plants for a complete crushing and screening system.



Product specifications and prices are subject to change without notice or obligation. The photographs and/or drawings in this document are for illustrative purposes only. Refer to the appropriate Operator's Manual for instructions on the proper use of this equipment.

Failure to follow the appropriate Operator's Manual when using our equipment or failure to act responsibly may result in serious injury or death.

The only warranty applicable to our equipment is the standard written warranty applicable to the particular product and sale, and Terex makes no other warranty, express or implied. Terex, the Terex Crown design, Cedarapids, Canica, Simplicity, Jaques, El-Jay and Rollercone are trademarks of Terex Corporation or its subsidiaries. All rights are reserved. © October 2020