

KITCHEN MEASUREMENT FORM

We look forward to working with you on creating a beautiful layout for your kitchen. Please note all dimensions in inches and **feel free to reach out to us with any questions.**

Name: _____ Phone: _____

Email: _____ Zip: _____

Cabinet Color(s): _____

ROOM DIMENSIONS

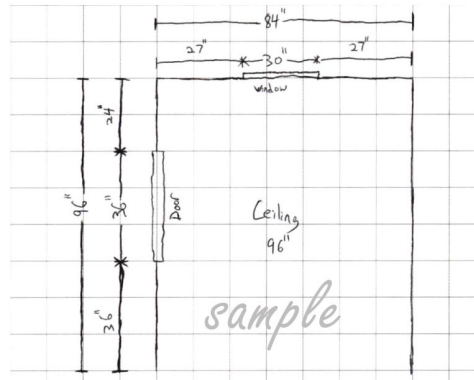
Height Floor to Ceiling _____

Wall width #1 _____

Wall width #2 _____

Wall width #3 _____

Wall width #4 _____



WINDOW & DOORWAY DIMENSIONS

Window Wall # _____ Width _____ " include trim

Distance to corner wall _____ " measure from trim to corner wall

Window Wall # _____ Width _____ "

Distance to corner wall _____ " measure from trim to corner wall

Entryway Wall # _____ Width _____ " Height _____ "

