



WONDERFIRE FFB (Fire Fan Box)

INSTALLATION & OPERATING MANUAL

Wonderfire fire boxes are approved to be installed as a zero clearance firebox and are designed to operate on Natural Gas.
Approval Number: AGA 5865 G

Installed primarily as a decorative appliance. Not certified as a Space Heater.

VERSION R3.1

WARRANTY INFORMATION

The benefits provided to you under the following warranty are in addition to any other rights and remedies available to you under the law.

1. Warranty

If:

- (a) during the first 10 years from the date of purchase (Firebox Warranty Period), there is a defect in the firebox of the Gas Burner; or
- (b) during the first 2 years from the date of purchase (Parts Warranty Period), there is a defect in the gas valves or other parts of the Gas Burner,
due to improper workmanship or material, Glen Dimplex will replace or repair the Gas Burner without charge. Any replacement product is warranted only for the time remaining on the original Firebox Warranty Period or the Parts Warranty Period as relevant.

2. Registration

All in and out of warranty claims and service requests are to be emailed to: service@glendimplex.com.au

The email should include the following information:

- Proof of purchase—A copy of the customer's invoice.
- Store details and contact person. (Please ensure ALL details are correct)
- All relevant customer details, if not on the proof of purchase
- Detailed report of the issue with pictures where possible showing any damage or technical issue.

3. Exclusions

Glen Dimplex is not obliged to replace or repair the Gas Burner under clause 1 if:

- (a) it has been improperly stored, installed, connected, used, operated or repaired, or damaged, abused, tampered with, altered (without our written approval), or not maintained in strict accordance with our installation and operating instructions; or
- (b) it has been installed in an outdoor setting.

4. Limit of Liability

The warranty provided under this warranty is limited to replacement or repair of the Gas Burner only, at our option. To the extent permitted by law, Glen Dimplex excludes liability for consequential loss or any other loss or damage caused to property or persons arising from any cause whatsoever, and damage arising from normal wear and tear.

5. Claiming under the Warranty

In order to claim under this warranty you must, within the Firebox Warranty Period or the Parts Warranty Period (as relevant), contact Glen Dimplex, providing the original proof of purchase and the details below:

Supplier Name _____

Date Of Purchase / settlement of property if new home _____

Model / Serial Number _____

This warranty does not cover the cost of claiming under the warranty or transporting the Real Flame Gas Burner to and from the supplier.

Our goods come with guarantees that cannot be excluded under the Australian Consumer Law. You are entitled to a replacement or refund for a major failure and for compensation for any other reasonably foreseeable loss or damage. You are also entitled to have the goods repaired or replaced if the goods fail to be of acceptable quality and the failure does not amount to a major failure.

If you would like to speak to someone about your Gas Burner or claiming under this warranty, please contact the Service Warranty Desk on 1300 554 155.

Glen Dimplex Australia Pty Ltd ACN 69 118 275 460
Head Office: 8 Lakeview Drive, Scoresby, VIC 3179
Telephone: 1300 554 155 Facsimile: (03) 8706 2001

INSTALLATION NOTICE

- The installation of this appliance is only to be carried out by an authorised person in accordance with the Manufacturer's Instructions, local gas fitting regulations, AS/NZS5601.1-2013 installation code for gas burning appliances and any other relevant statutory regulations.
- In all cases the installation of this appliance shall meet the requirements as set out in AS/NZS5601.1-2013

- **NOTE:** A slight smell may be apparent for the first few hours of use. This is due to the heat resistant paint curing. It is recommended to open windows in the room for the first lighting of the fire. In some instances a slight discolouration may occur inside the firebox. This is a normal condition and is not covered by warranty.

IMPORTANT SAFETY NOTICES

- DO NOT PLACE ARTICLES ON OR AGAINST THIS APPLIANCE.
- DO NOT USE OR STORE FLAMMABLE MATERIAL NEAR THE APPLIANCE.
- DO NOT SPRAY AEROSOLS IN THE VICINITY OF THIS APPLIANCE WHILST IT IS IN OPERATION.
- CARE MUST BE TAKEN TO ENSURE THAT ANY RETURN AIR REGISTER OR EXHAUST SYSTEM DOES NOT ADVERSELY AFFECT THE OPERATION OF THE APPLIANCE OR DRAUGHT OF CHIMNEY OR FLUE.
- DO NOT MODIFY THIS APPLIANCE.
- THIS APPLIANCE IS DESIGNED TO OPERATE WITH LUMINOUS FLAMES. THIS MAY EXHIBIT SLIGHT CARBON DEPOSITS.

VENTILATION REQUIREMENTS

Permanent ventilation of the room where the fire is to be situated is essential while fire is in operation. The room must have a minimum cross sectional area of 40,000sq mm of effective ventilation for Type 1 installation and 18,000sq mm for Type 2 installation.

It is recommended that you service your gas fire every 2 years.

WARNING

This firebox has a naked flame, care should be taken when it is operating if children or the infirm are in close proximity. For protection of young children or the infirm, a secondary guard is required. A safety screen is recommended if constant supervision is not possible. It is recommended that a secondary guard complying with AS-NZS2286 be installed.

The appliance is not intended for use by persons (including children) with reduced physical, sensory or mental capabilities, or lack of experience and knowledge, unless they have been given supervision or instruction concerning use of the appliance by a person responsible for their safety. Children should be supervised to ensure that they do not play with the appliance.

THIS IS PRIMARILY A DECORATIVE APPLIANCE AND IS NOT CERTIFIED AS A SPACE HEATER.

DATA PLATE (Affixed to the base of the unit for reference to gas pressure & consumption)

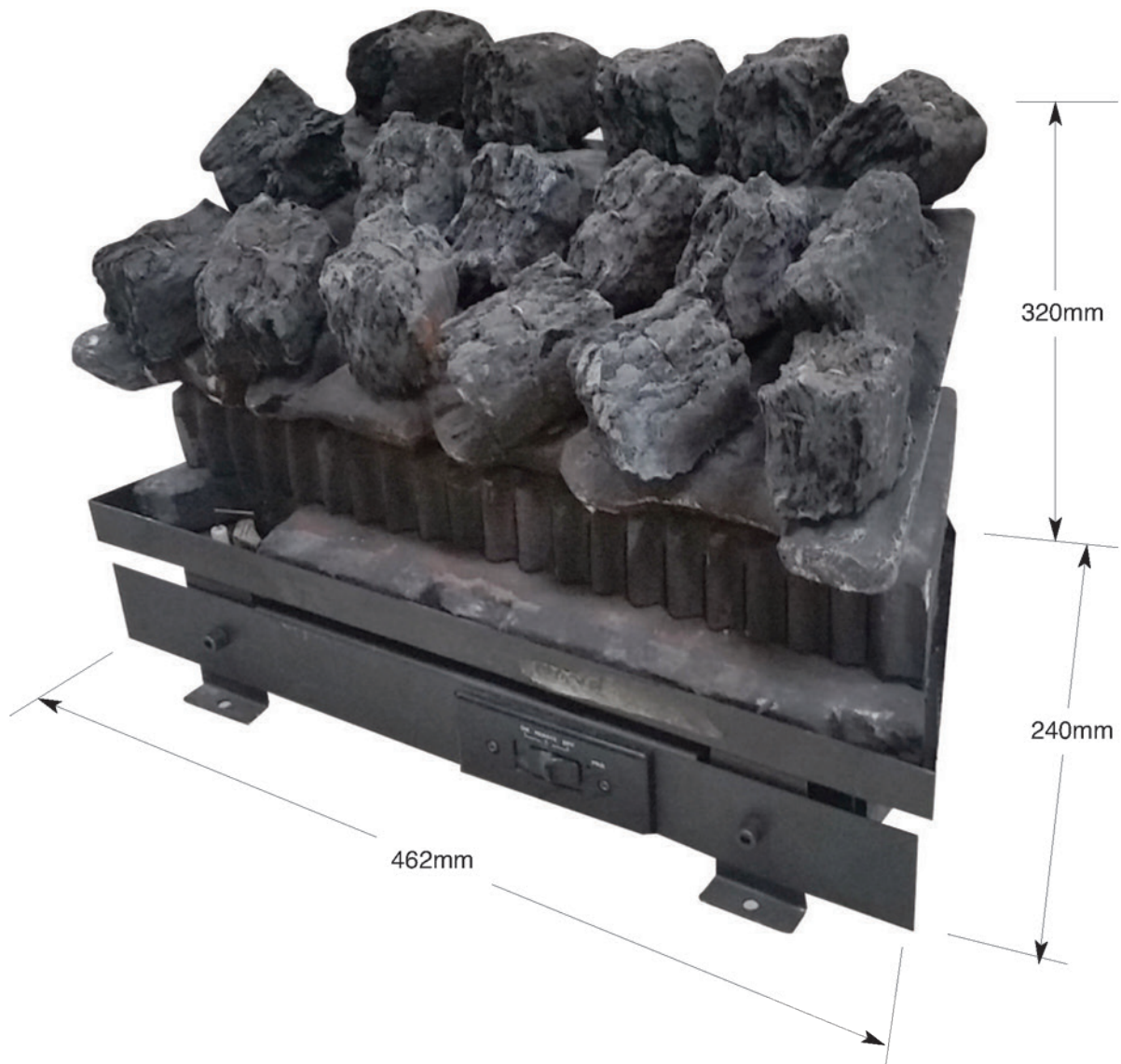
AF18 OF Automatic valve (Sit Proflame)

Gas	Injector Size (mm)	TPP	N.G.C. (Mj/Hr)
Natural Gas	1 x injector 7ports x 1.10	0.88 kPa high	32 High

AF18 OF Manual valve (Eurosit 630)

Gas	Injector Size (mm)	TPP	N.G.C. (Mj/Hr)
Natural Gas	1 x injector 7ports x 1.10	0.50 kPa high / 0.35 kPa low	32 High

DIMENSIONS



WONDERFIRE FFB (FIRE FAN BOX)

Congratulations on your purchase of the Wonderfire.

This gas coal fire has been bench tested in the factory to ensure satisfactory operation.

Safety First!

- The appliance is designed to simulate a coal fire and as such the front grate, the entire front and top vent are working surfaces which can become quite hot. Do not touch them. Always take extra care with young children or the infirm.
- WHERE A PRIMARY GUARD IS FITTED TO THIS APPLIANCE TO REDUCE THE RISK OF FIRE OR INJURY FROM BURNS AND NO PART OF IT SHOULD BE PERMANENTLY REMOVED FOR THE PROTECTION OF YOUNG CHILDREN OR THE INFIRM, A SECONDARY GUARD IS RECOMMENDED.
- DO NOT OPERATE WITH PANELS, COVERS, OR GUARDS REMOVED FROM THIS APPLIANCE.
- PRIMARILY A DECORATIVE APPLIANCE - NOT CERTIFIED AS A SPACE HEATER.
- Have the unit installed and serviced by a qualified person.
- Wash hands after handling coals and ensure children do not handle them as the colouring may contain toxic dyes.

Caring for Your Wonderfire FFB

Your Wonderfire has been designed for ease of use and is very easy to maintain. The Fire is a sealed unit and there is no user serviceable components inside.

To clean:

- Metal surfaces; simply wipe over with a damp cloth. Do not use harsh cleaning agents or solvents.
- Ceramic coals; Lightly vacuum with a soft brush attachment.
- Pilot Light; check for lint and dust, vacuum as necessary.
- For units with a fan, check the air intake at the front of the Fire is free of lint and dust, clean as necessary.
- Do not attempt to clean the unit whilst it is operating (including Pilot Light) or whilst it is hot.
- After a number of hours of use of the Fire, there may be a slight blackening of some parts of the coals. This is normal and helps enhance the realistic coal fire look.

If Your Fire Needs Servicing

Your Fire is reliably designed and built to a fully tested design. Please be assured that if you have any concerns, they will be resolved quickly and to your satisfaction.

If the Fire has been only recently installed and fails to operate, you should call the installer to solve any problems. Check with the installer that installation has been carried out correctly, that the gas lines have been bled and gas cocks are turned on.

If the problem is not related to the installation, please call your place of purchase and let them know what model you have installed and a description of the problem. If necessary, they will refer back to the manufacturer.

If after some use the appliance fails to operate, you can telephone us direct: 1300 554 155.

OPERATING INSTRUCTIONS - Customer

Please refer to the “Wonderfire” Operating, Installation and Servicing Instructions.

INSTALLATION INSTRUCTIONS

TO THE INSTALLER

This appliance must only be installed by an authorized person in accordance with these instructions and with the AGA gas installation code. Please ensure that your workmanship, like ours, is of the highest quality so that our customer is fully satisfied with the installation and operation of this Gas Fire. If you have any questions please call us: 1300 554 155.

Preliminary

- This appliance must be installed in accordance with the AGA Gas Installation Code AS5601 / AG601 Clauses 5.12.13.2 to 5.12.13.5 and appropriate Australian Standards to meet the zero clearance rating.
- The Wonderfire Gas Fire is only to be used with the gas type specified for the unit.
- It is recommended that a secondary guard complying with AS 2286 be installed.
- As always, ensure that loose fabrics such as curtains and furniture cannot touch the appliance. It is recommended that a fire guard be used with the appliance.
- The spacers on the sides and back of the box are to provide clearance to combustible materials. (Type 2 install)
- Do not allow combustible materials to touch the box.
- There must be a minimum of 50mm gap between the gather and any combustible materials.
- The front opening of the box is 500mm wide and 575mm high.
- The overall dimensions of the box is 660mm wide, 300mm deep and 805mm high. (Dimensions include zero clearance spacers and gather but not the fascia or guardette if fitted). (Type 2 install)
- Packaging and transit protection must be removed from the appliance prior to installation. This includes pallet, plastic wrap, temporary labels and foam protection.
- The appliance may be installed in an existing open fireplace (as a Type 1 appliance), in an existing fireplace with the Wonderfire FFB fan assisted convector box (as a Type 1 appliance) or in a purpose built enclosure with the Wonderfire FFB fan assisted convector (zero clearance) box (as Type 2 appliance).
- If fitting the Wonderfire with the FFB firebox, please also refer to the instructions for the “Wonderfire FFB”.
- There must be a minimum of 50mm gap between the gather and any combustible material if the FFB firebox is used.
- The fireplace must be at least 470mm wide (front), 325mm wide (rear) x 250mm deep x 400mm high to suit the Type 1 burner.

THIS APPLIANCE REQUIRES FRESH AIR TO OPERATE SAFELY. THE ROOM WHERE THIS APPLIANCE IS INSTALLED MUST HAVE PERMANENT VENTILATION FROM OUTDOORS. THIS VENTILATION MUST NOT BE MODIFIED.

INSTALLATION INSTRUCTIONS

FITTING TO AN EXISTING OPEN FIREPLACE

THIS APPLIANCE REQUIRES FRESH AIR TO OPERATE SAFELY. THE ROOM WHERE THIS APPLIANCE IS INSTALLED MUST HAVE PERMANENT VENTILATION FROM OUTDOORS. THIS VENTILATION MUST NOT BE MODIFIED.

Note to Installer

There are 2 options for installing a Wonderfire FFB:

Type 1 – In an existing fireplace with a proved draught/working chimney

Note - Manual or Electronic valve may be used.

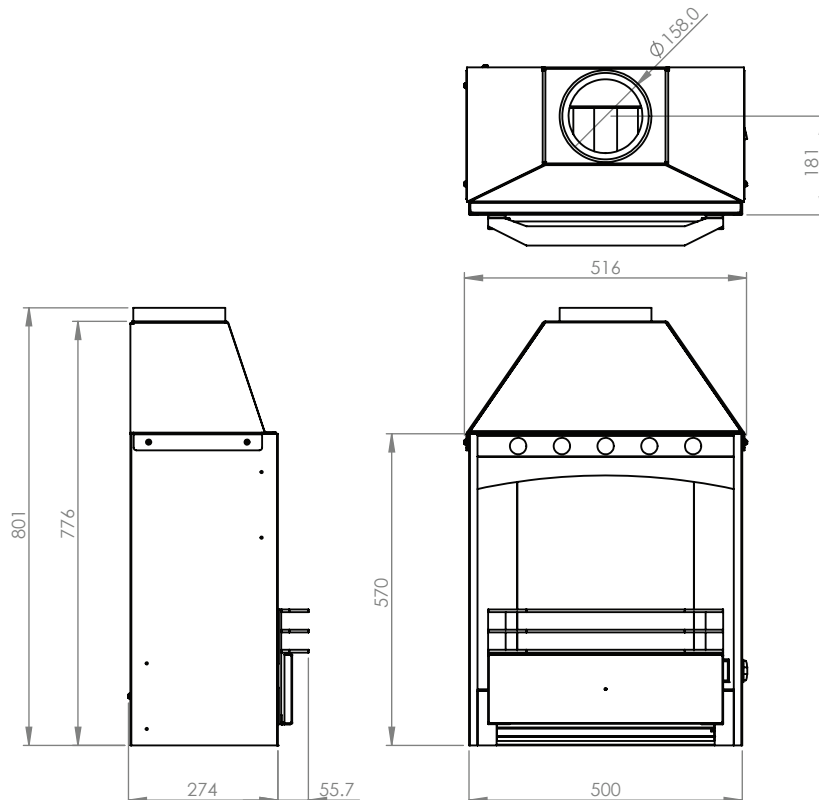
In this scenario, the existing fireplace must be at least 505mm wide, 275mm deep and 575mm high to suit the Wonderfire FFB (with the zero clearance spacers removed). (805mm with gather)

The chimney should also be swept and inspected to see if it is in sound condition.

The chimney must be a minimum area of 22,000mm² (i.e. a minimum of 150x150mm if square or 150mm diameter if round), and must extend to a height of at least 2.4m.

The room must have fixed ventilation of 40,000mm² minimum.

To ensure the Wonderfire FFB draws satisfactorily in a Type 1 installation, it is required to use a minimum of 2.4m of flexible duct OR rigid flue as a chimney liner. In the majority of installation situations, it will be more practical to use flexible duct over rigid flue.



INSTALLATION INSTRUCTIONS (continued)

Type 2 – In a frameout situation with a rigid fabricated flue

Type 2 installation clearances - When standoffs are fitted to FFB they provide the required clearances from combustible materials. (For type 1 installations into an existing fireplace the standoffs are not required to be fitted provided clearance to combustible materials are met).

INSTALLATION CLEARANCE (where FFB is used) - Clearance from combustible materials

Floor	0mm
Sides	80mm
Top / gather	50mm
Flue outer	25mm
Back	25mm

Note - Manual or Electronic valve may be used.

For a new fireplace, utilising the Wonderfire FFB (with the zero clearance spacers attached), the dimensions are 660mm wide, 300mm deep and 575mm high, plus the gather, which is the same width and depth but adds 300mm to the height of the unit.

Place the Wonderfire FFB in the desired position.

Check where timbers are located in the roof to ensure a clear path for the flue and maintain 25mm gap clearance.

Fit a 150mm flue (active) together with an approved gas cowl to the top of the flue. For Zero Clearance add 200mm casing. Bend out four equidistant 25mm tags at the top of the 150mm flue to centre it in the 200mm flue. Flash the outer flue to the roof. The inner flue will be free to move within outer flue to allow for thermal expansion and contraction.

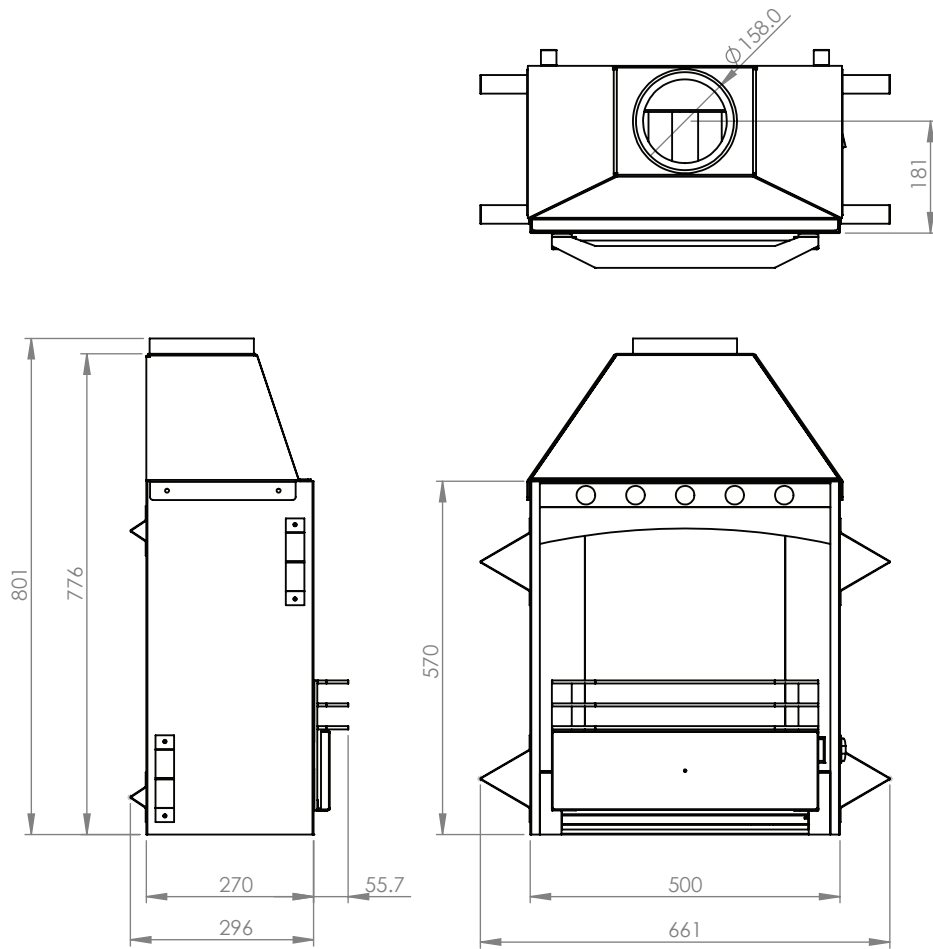
The flue must extend to a minimum height of 2.4m.

The room must have total fixed ventilation equal to the chimney / flue area. (minimum 18,000sq mm)

The gather should be sealed to the fan box using a high temp silicon or a high temp fire / flue sealant.

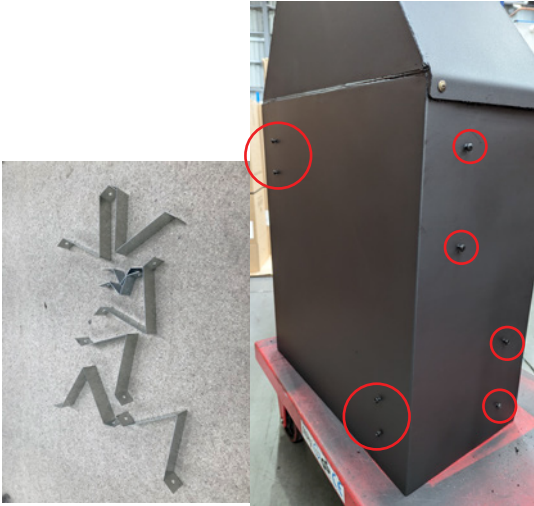
THIS APPLIANCE REQUIRES FRESH AIR TO OPERATE SAFELY. THE ROOM WHERE THIS APPLIANCE IS INSTALLED MUST HAVE PERMANENT VENTILATION FROM OUTDOORS, IN ACCORDANCE WITH THE VENTILATION REQUIREMENTS AS/NZS 5601

INSTALLATION INSTRUCTIONS (continued)



INSTALLATION INSTRUCTIONS (continued)

Fitting standoffs to the Fan Forced Box



4 Large and 2 small standoffs are provided with the Fan Forced Box.

The screws for the stand offs are partially screwed on to the Fan Forced Box, remove them and screw the standoffs.



The large standoffs are for both the sides and the small ones go at the back. The small ones have to be screwed on each corner at the back of the firebox as shown in the image on the left.



The large standoffs are screwed on the sides. The standoffs are placed at the opposite corners.



The back and side standoff placement can be seen in the picture on the left. Ensure these instructions are followed for correct installation.

INSTALLATION INSTRUCTIONS (continued)

Gas and electrical

- Gas connection is to a ½" compression connected to the gas regulator. This is located at the RHS of the unit. 145mm up from the base and 80mm from the front.
- Note: Do not bring the gas supply down the active chimney.
- The 240v electrical connection for the fan is a cord with a standard 10A three pin plug, also on the RHS near the gas connection, 50mm up from the base and 140mm from the front. The gas control unit (remote control model only) is supplied by a battery pack containing 8 AA size batteries, or a 240v ac to 12V dc Plug Pack.

Commissioning

Once the burner is fitted and connected to the gas, test the unit's operation.

Type 1 Installs: After 10 minutes operation from cold, test for fireplace spillage, i.e. all products of combustion are entering the flue, by traversing the perimeter of the opening or canopy, using a smoke generator (E.g. a smoking twist of paper or smoke match)

Type 2 Installs: After 5 minutes operation from cold, test for fireplace spillage, i.e. all products of combustion are entering the flue, by traversing the perimeter of the opening or canopy, using a smoke generator (E.g. a smoking twist of paper or smoke match)

INSTALLATION INSTRUCTIONS (continued)



WGUARD - GUARDETTE

The wonderfire FFB comes with an optional Guardette that fits to the base of the firebox.



WSES - EDWARDIAN SURROUND

The Wonderfire also comes with an Edwardian surround that is installed with the Fan Forced Box.

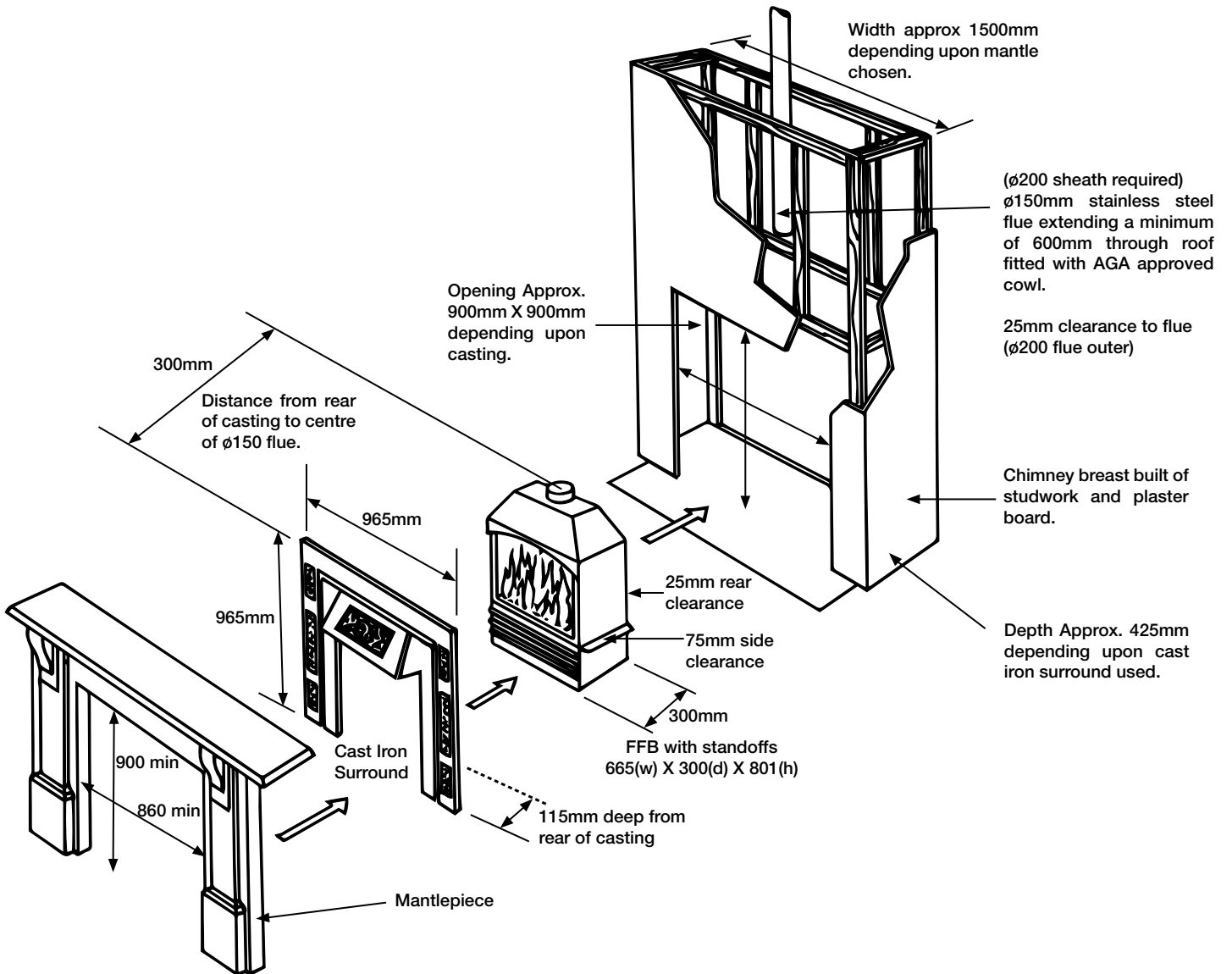


WSAS - VICTORIAN SURROUND

The Wonderfire also comes with a Victorian surround that is installed with the Fan Forced Box.

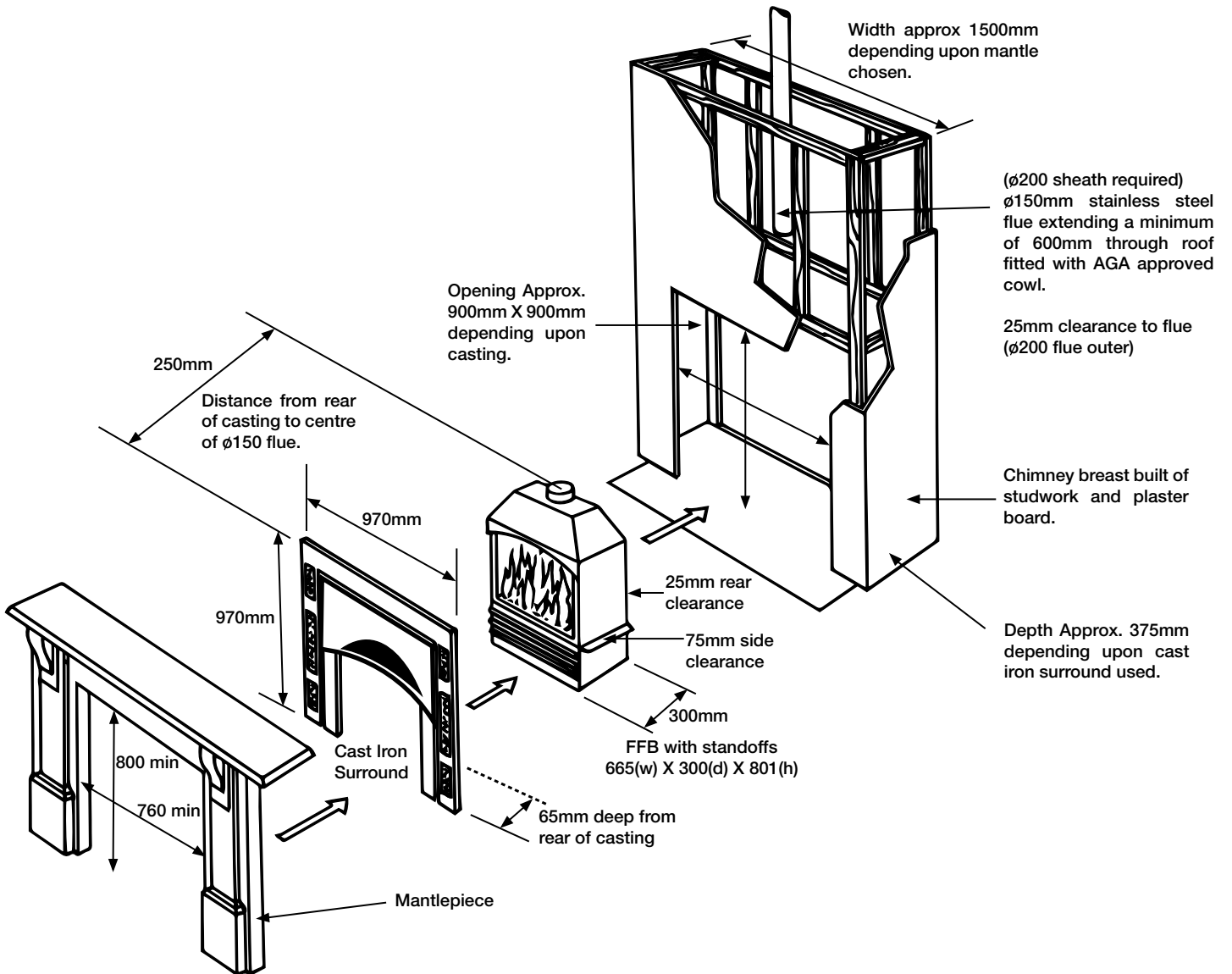
INSTALLATION INSTRUCTIONS (continued)

Edwardian surround mantle install



INSTALLATION INSTRUCTIONS (continued)

Victorian surround mantle install



FLUE REQUIREMENTS

Type 1 Install



A Type 1 install requires a 2.4m 150mm flex flue. The flex flue needs to be stretched before it can be installed over the Fan Forced Box (FFB). The Flex Flue liner need not run the entire length of the chimney but must run for 2.4m.



Place the flue on top of the flue spigot of the FFB as shown on the picture on the left.



Once the flue is placed ensure the collar is tightened with a spanner.



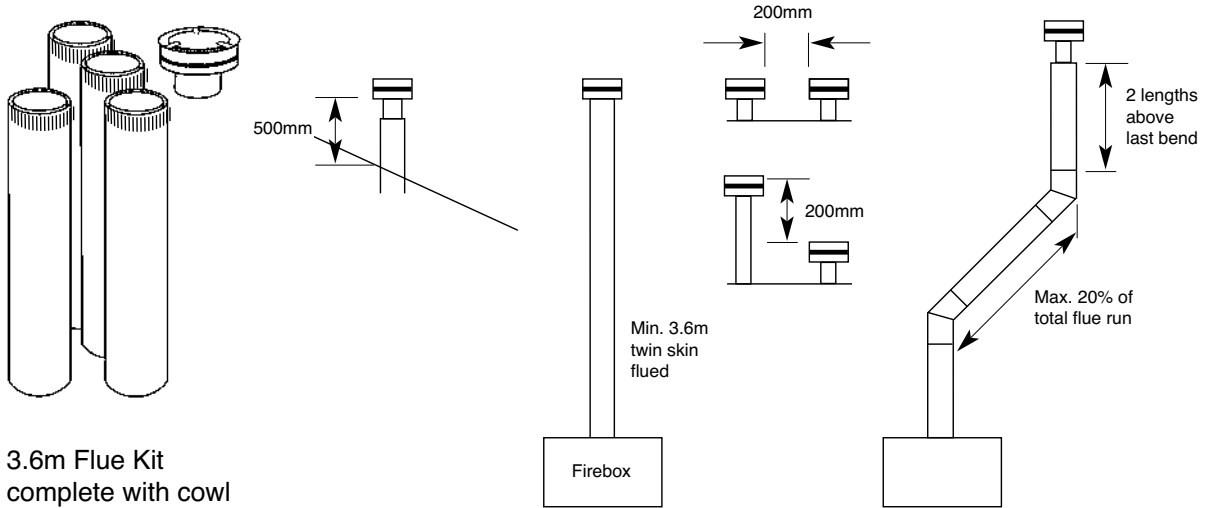
The room must have total fixed ventilation equal to the chimney / flue area. (minimum 18,000sq mm)

The gather should be sealed to the fan box using a high temp silicon or a high temp fire / flue sealant.

FLUE REQUIREMENTS

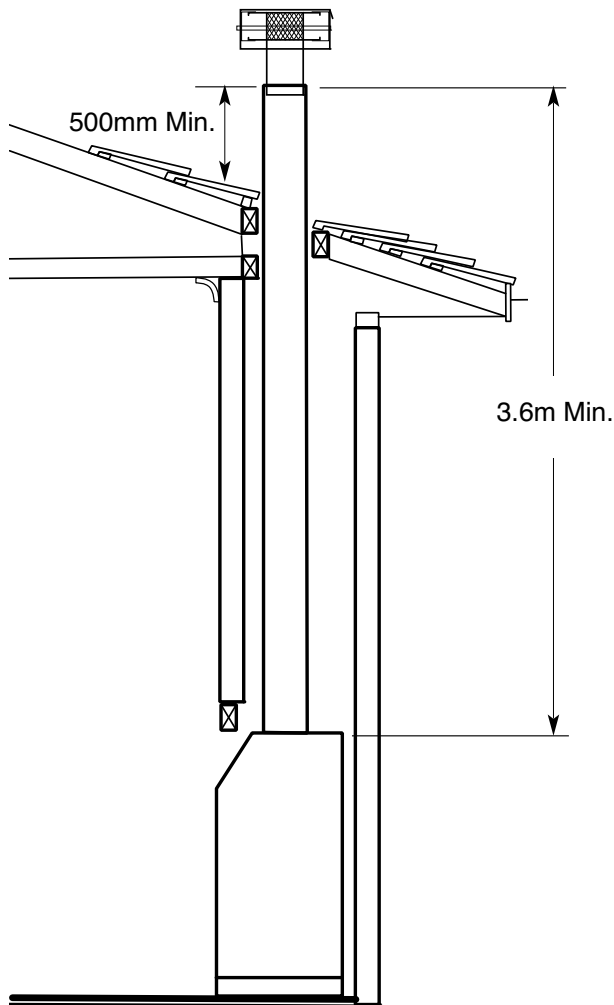
Natural Draught Type 2 Install

The standard natural draught flue kit consists of 4 x 900mm lengths of twin skin flue (refer to page 23 for correct sizing) and an AGA approved cowl.



3.6m Flue Kit complete with cowl

These notes must be read in conjunction with AGA code 601.



A minimum of 3.6m flue is required to protrude 500mm above roof line.

Flue can be offset with two 45° bends no more than 20% of overall height of flue.

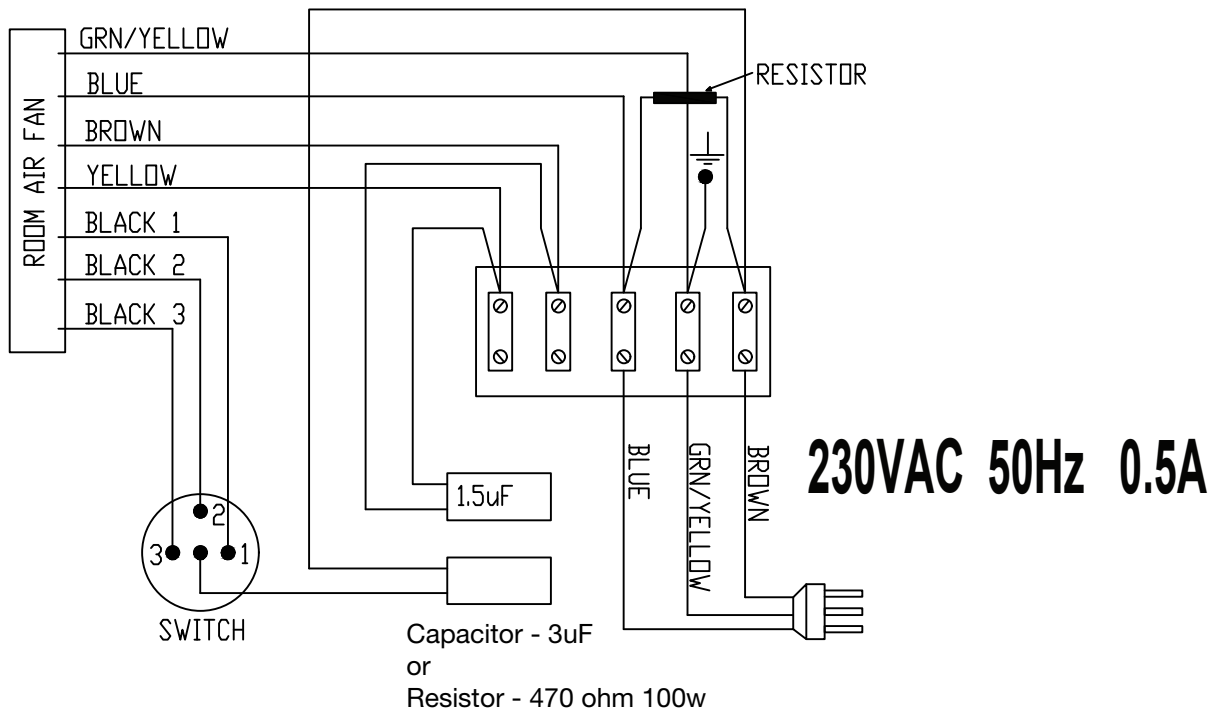
CLEARANCES

Floor	0 mm
Sides	25 mm
Back	25 mm
Top	100 mm
Flue Outer	25 mm

SERVICING / MAINTENANCE / FAULT FINDING DETAILS

Please refer to the “Wonderfire” Operating, Installation and Servicing Instructions.

WIRING DIAGRAM





GLEN DIMPLEX AUSTRALIA PTY LTD

ABN 69 118 275 460

Head Office
8 Lakeview Drive, Scoresby, VIC 3179