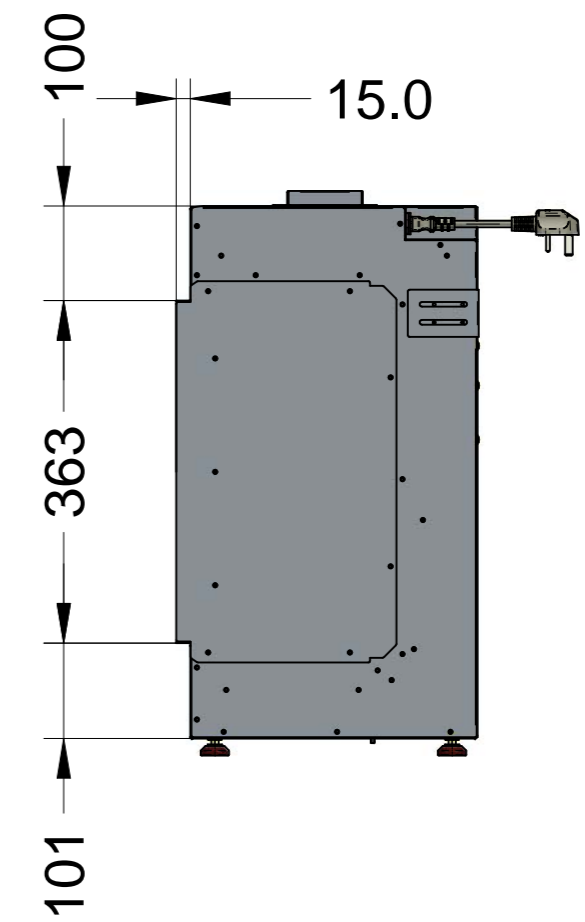
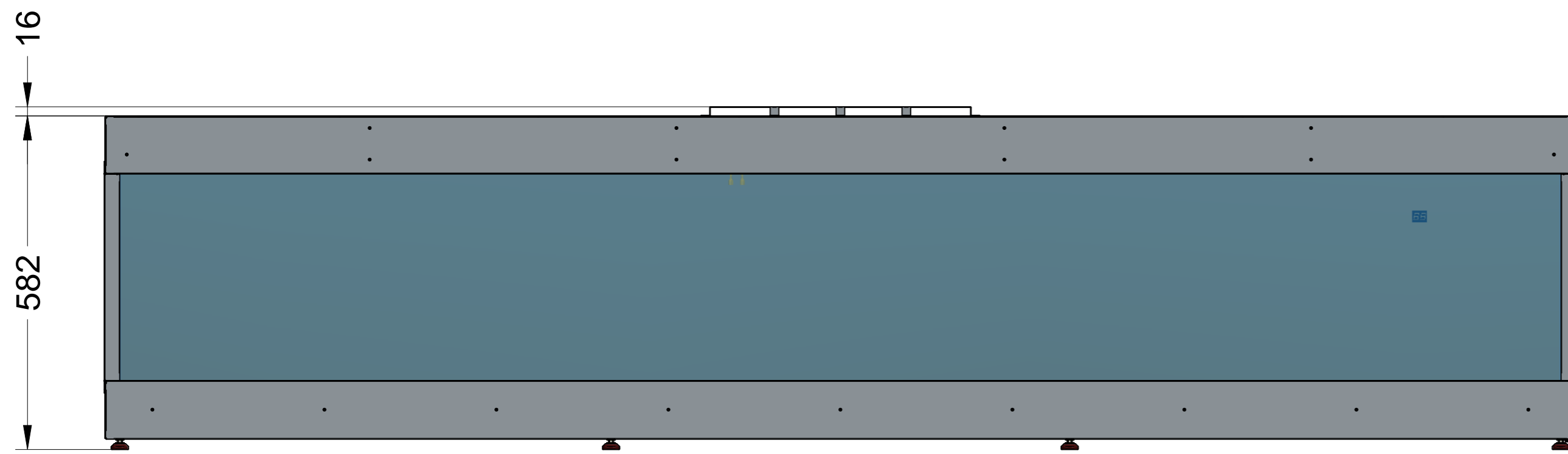
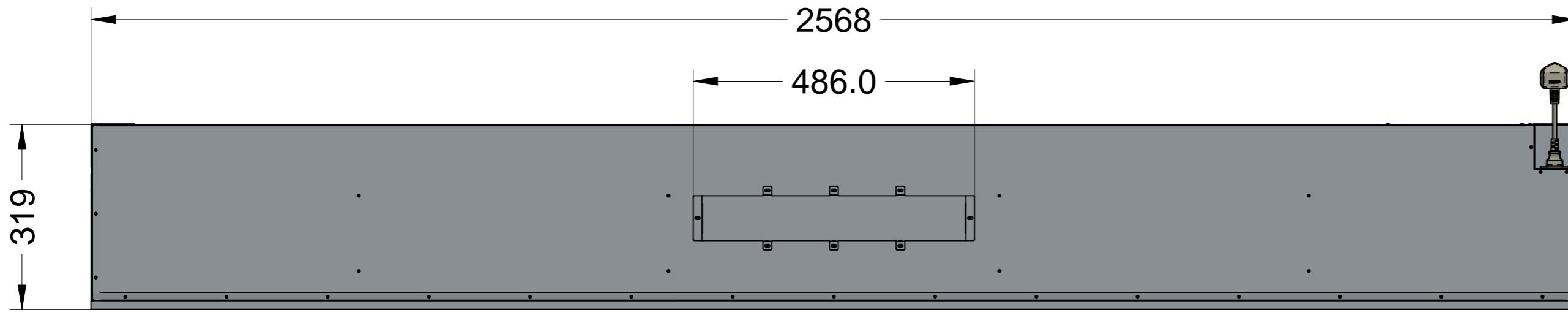
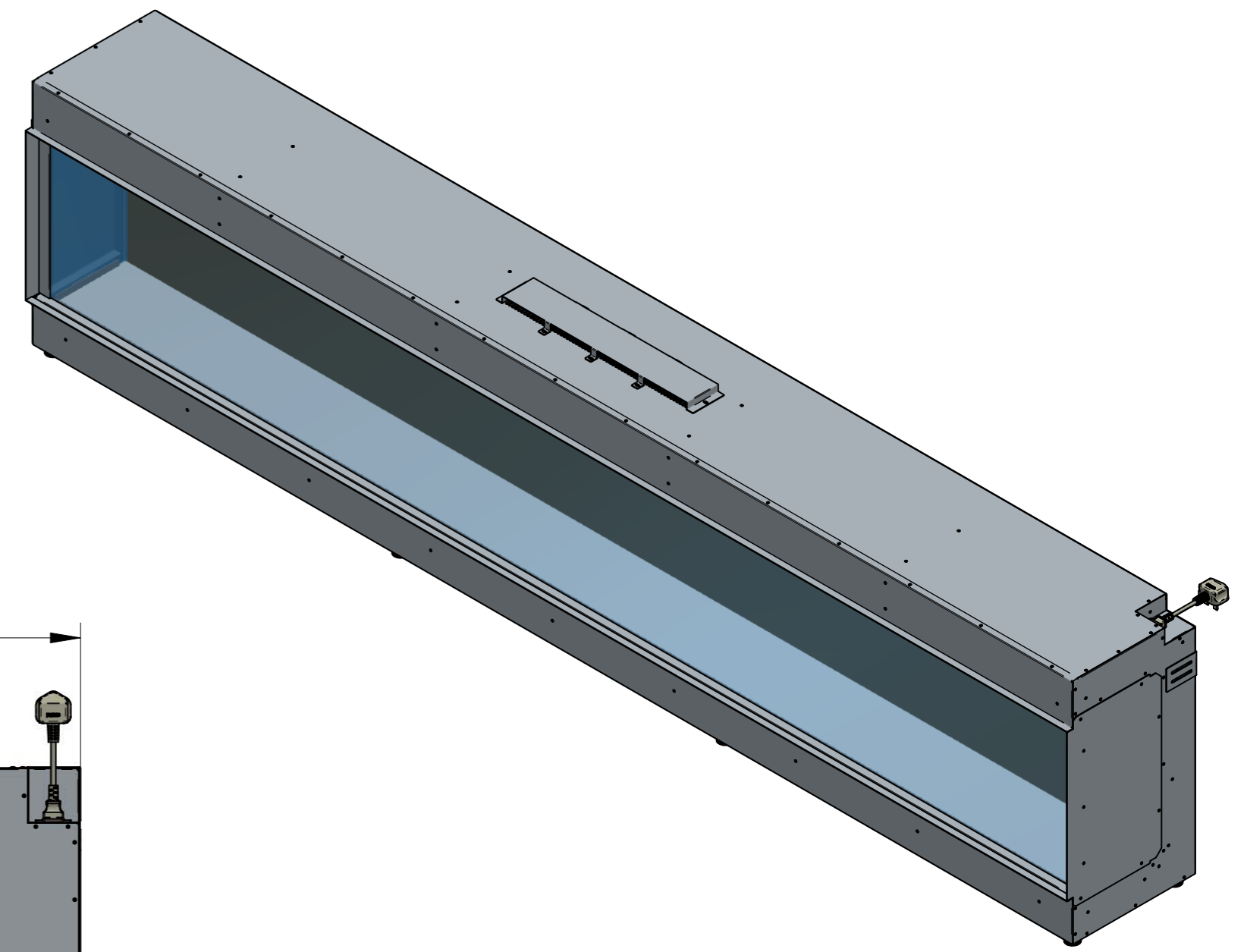


DO NOT SCALE		THIRD ANGLE PROJECTION	
REVISION			
REV	DESCRIPTION	DATE	APPROVED
A	AS DRWN	17/01/2023	EV PB

UNLESS OTHERWISE STATED, DEBURR ALL SHARP EDGES



UNLESS OTHERWISE SPECIFIED:
DIMENSIONS ARE IN MILLIMETERS
SURFACE FINISH:
TOLERANCES:
LINER: ± 0.2 mm
ANGULAR: ± 0.2 mm

DEBURR AND
BREAK SHARP
EDGES

MATERIAL: .
WEIGHT: 0.000 kg
DO NOT SCALE DRAWING

FINISH: *natural*

PAUL AGNEW | DESIGNS

TITLE: **ILEKTRO 2600 GLASS FRONTED**

DWG NO: **ILE2600-GF**
DATE: **14/09/2023**
SHEET 1 OF 1

REVISION **A**
SCALE: A3