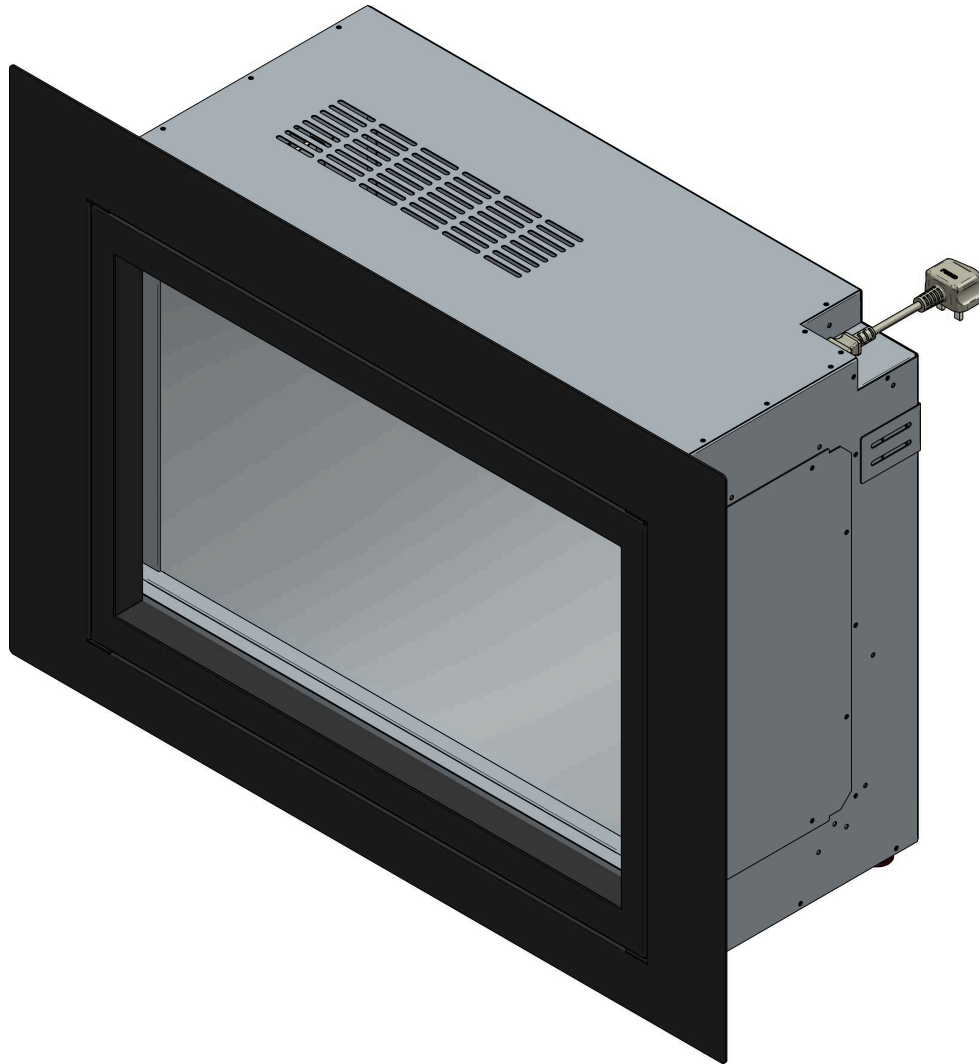


ilekτρο Range

950LT Frame

SPECIFICATION SHEET



Version 1 27/12/22

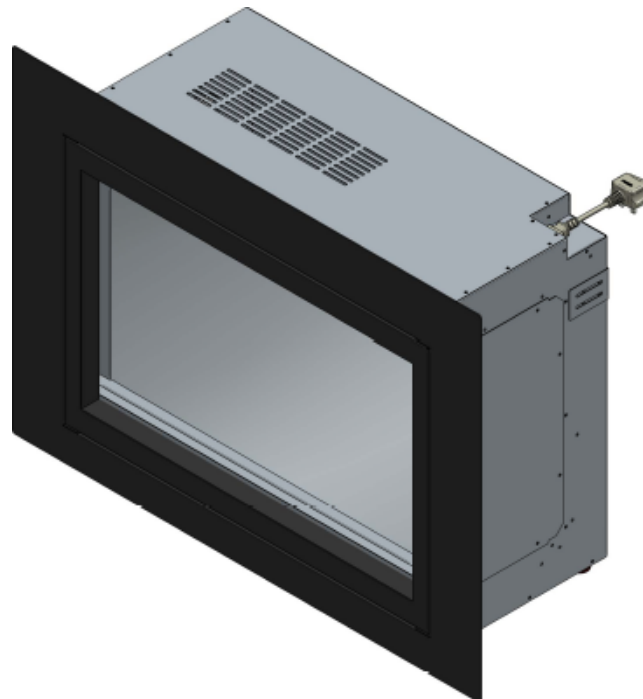
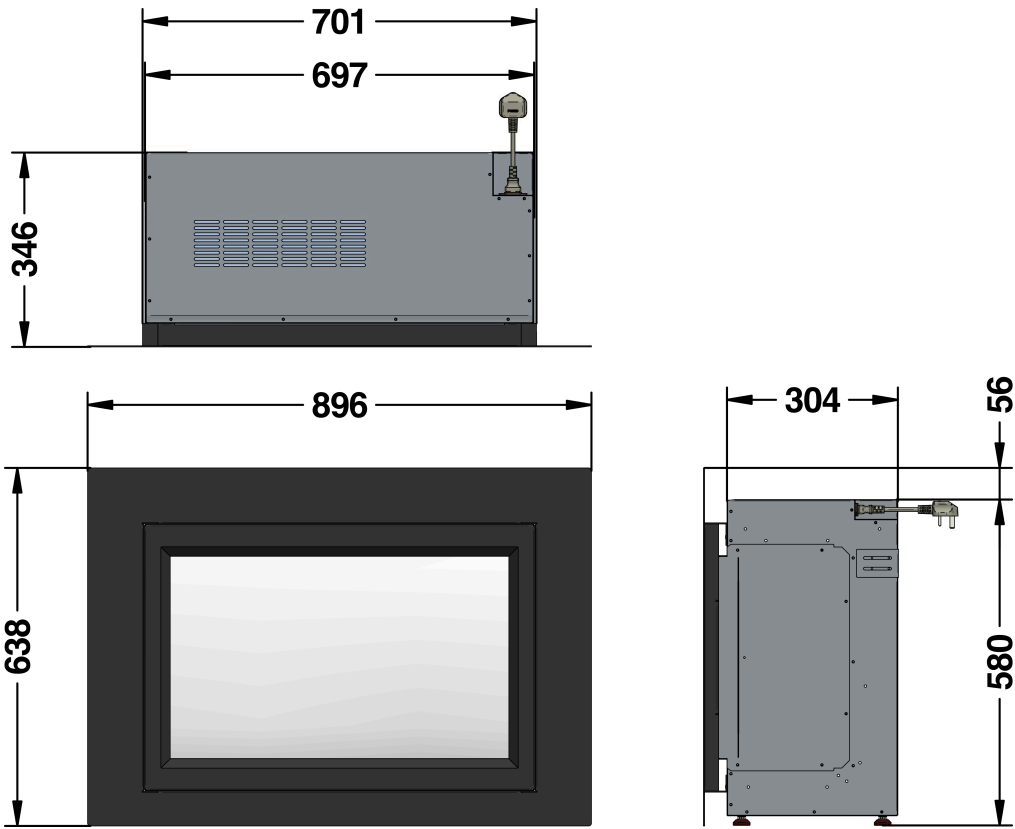
Contents of manual may be updated without notice.
For the latest version of this manual please refer to
our website: www.paulagnewdesigns.com.au

PAUL AGNEW | **DESIGNS**

ilektro 950LT Frame

APPLIANCE DIMENSIONS

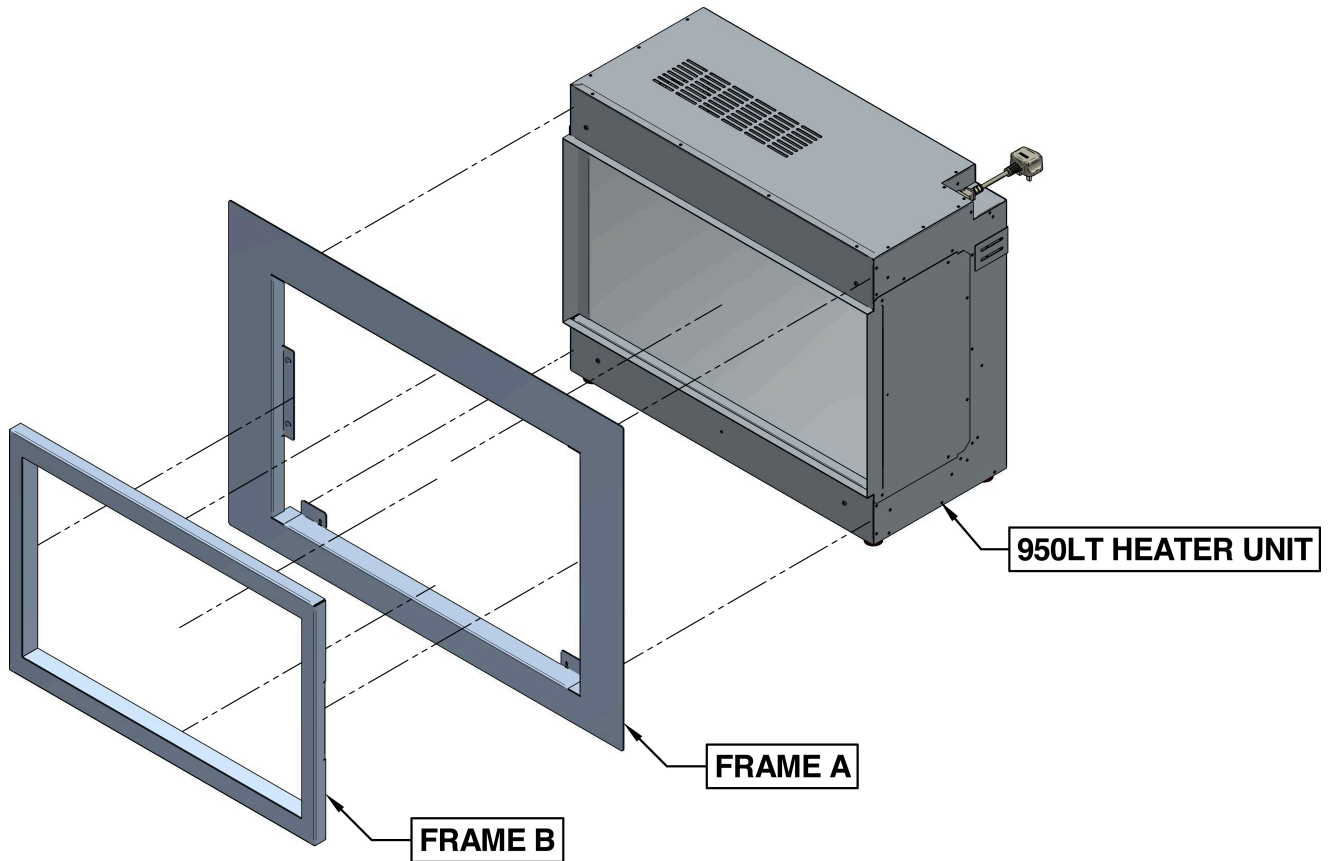
Product Code: 950LT



PLEASE NOTE: DIMENSIONS ARE FOR REFERENCE ONLY - CONSULT YOUR INSTALLER AND RETAILER FOR GUIDANCE

ilektró 950LT Frame

APPLIANCE DETAIL



SUPPLIED ITEMS:

950LT HEATER UNIT : 01
FRAME A : 01
FRAME B: 01

PLEASE NOTE: DIMENSIONS ARE FOR REFERENCE ONLY - CONSULT YOUR INSTALLER AND RETAILER FOR GUIDANCE

ilektro 950LT Frame

INSTALL PROCEDURE

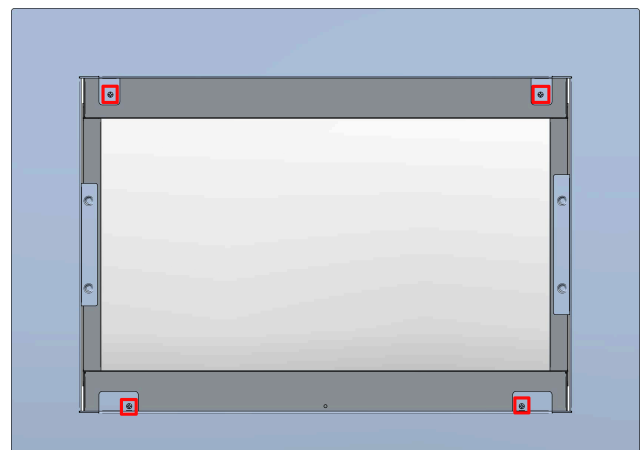
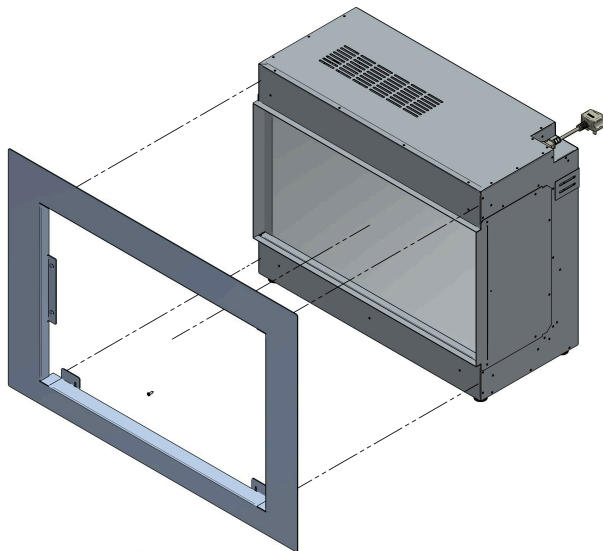
STEP 1:

REMOVE THE SCREW FROM THE HEATER UNIT AS HIGHLIGHTED BELOW; M4 (x4).



STEP 2:

ASSEMBLE FRAME A TO THE UNIT USING THE M4 SCREWS WHICH REMOVED FROM PREVIOUS STEP.



PLEASE NOTE: DIMENSIONS ARE FOR REFERENCE ONLY - CONSULT YOUR INSTALLER AND RETAILER FOR GUIDANCE

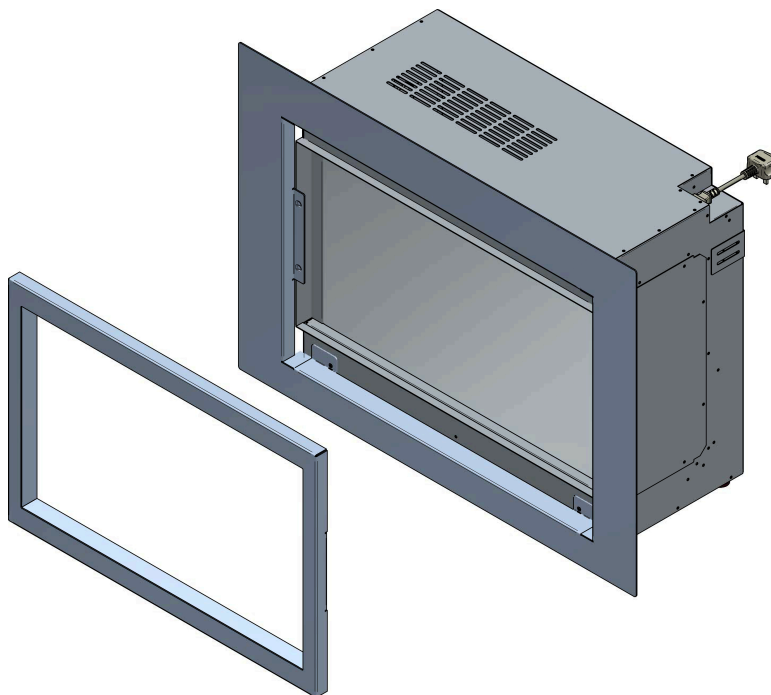
ilektro 950LT Frame

INSTALL PROCEDURE

STEP 3:

ASSEMBLE FRAME B TO THE FRAME A, AS SHOWN BELOW. THE HIGHLIGHTED SECTIONS HAVE MAGNETS IMPOSED TO IT, WHICH HOLDS THE FRAME A INTO FRAME B.

REFER PAGE 1 FOR PRODUCT DIMENSIONS, BEFORE BUILDING THE FRAMING STRUCTURE.



PLEASE NOTE: DIMENSIONS ARE FOR REFERENCE ONLY - CONSULT YOUR INSTALLER AND RETAILER FOR GUIDANCE

iléktró

148 Cochranes Road
Moorabbin, Victoria 3189

www.paulagnewdesigns.com.au

info@paulagnewdesigns.com.au