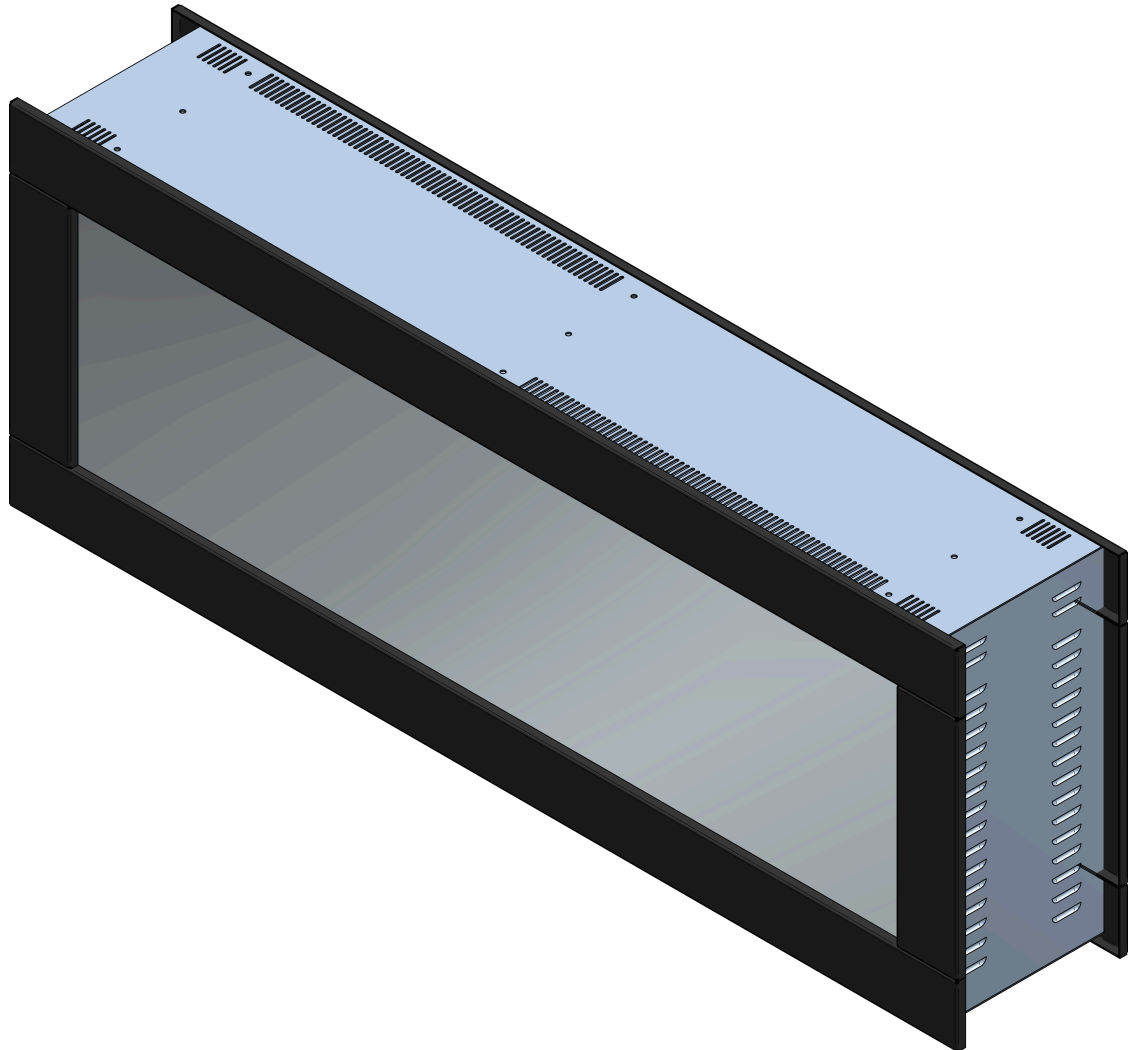


ilekτρο Range

1250 Tunnel

SPECIFICATION SHEET



Version 1 02/01/23

Contents of manual may be updated without notice.

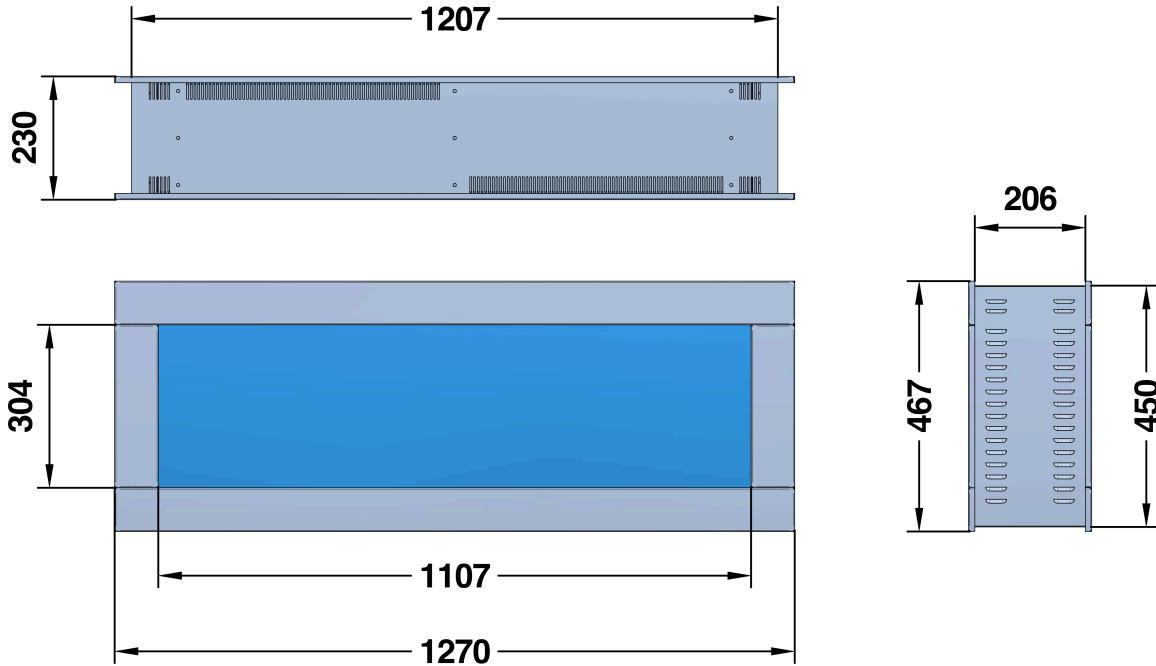
For the latest version of this manual please refer to
our website: www.paulagnewdesigns.com.au

PAUL AGNEW

DESIGNS

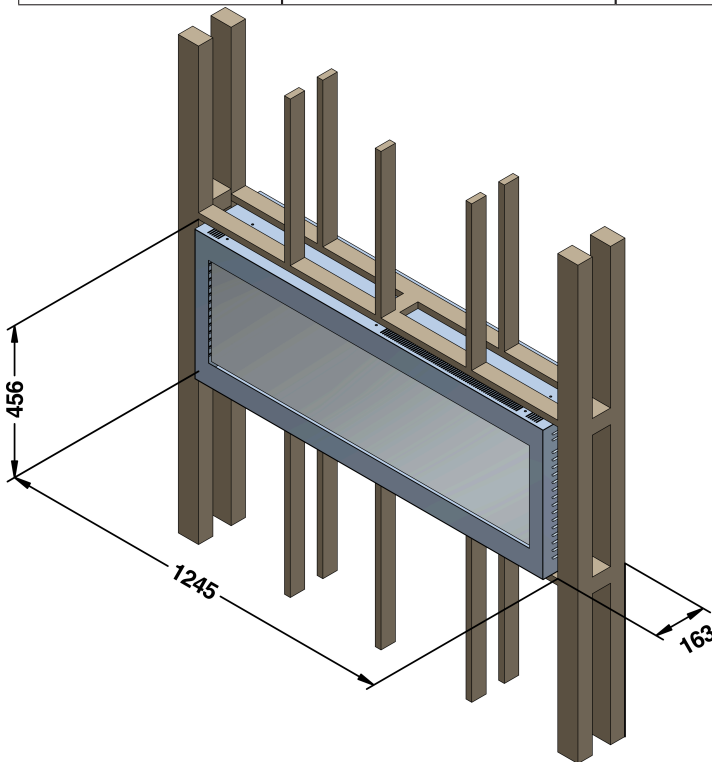
ilektró 1250 Tunnel

APPLIANCE DIMENSIONS
Product Code: 1250 Tunnel



FRAME BUILD OUT DIMENSIONS (All dimensions are in millimetres)

H - MIN	W - MIN	C - CAVITY DEPTH
456	1245	163



NOTE:
Remove trim as per the step in the page number 2, before placing the fireplace into the frame structure.

Fig 1 : FRAME SPECIFICATION

PLEASE NOTE: DIMENSIONS ARE FOR REFERENCE ONLY - CONSULT YOUR INSTALLER AND RETAILER FOR GUIDANCE

ilektró 1250 Tunnel

INSTALLATION PROCEDURE

Product Code: 1250 Tunnel

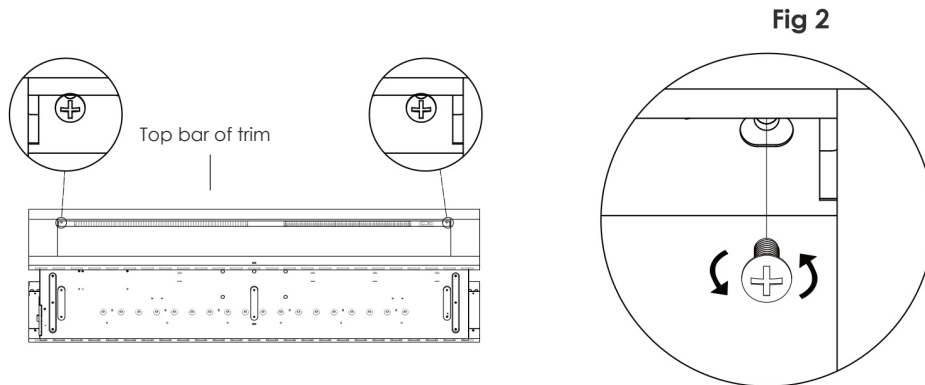
INSTALLATION STEPS:

- A. Measure the appliance and create an opening to fit the fire into. See Fig 1
- B. Create a route for the electrical connection.
- C. Remove the front trims, see below.

Front Trim Removal

WARNING: BEFORE THE FRONT TRIM IS REMOVED OR INSTALLED UNPLUG THE APPLIANCE AND WAIT UNTIL THE APPLIANCE IS COOL TO THE TOUCH. THE TRIM CAN BE HEAVY AND FRAGILE SO HANDLE WITH CARE.

1. Release the 2 screws from the trim lock under the top bar of the trim, as shown below in Fig 2.



2. Lift the trim up and away from the appliance, as shown below in Fig 3.

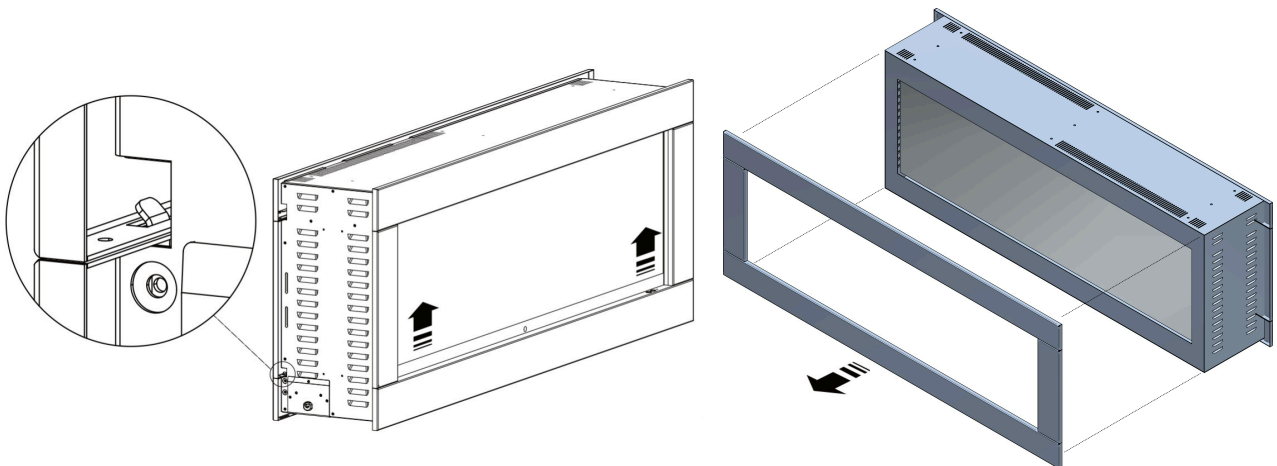


Fig 3: FRAME REMOVAL

PLEASE NOTE: DIMENSIONS ARE FOR REFERENCE ONLY - CONSULT YOUR INSTALLER AND RETAILER FOR GUIDANCE

ilektro 1250 Tunnel

INSTALLATION PROCEDURE

Product Code: 1250 Tunnel

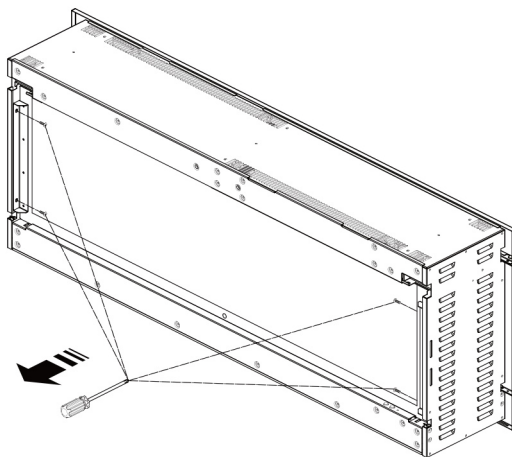
D. Remove the front glass, see below.

Front Glass Removal

WARNING: BEFORE THE FRONT GLASS IS INSTALLED OR REMOVED UNPLUG THE APPLIANCE AND WAIT UNTIL THE APPLIANCE IS COOL TO THE TOUCH. GLASS CAN BE HEAVY AND FRAGILE SO HANDLE WITH CARE.

1. Before removing the front glass, ensure the front trim has been removed. For removing front trim, refer to "FRONT TRIM REMOVAL" section.
2. Remove the screws on each side of the front glass bracket. **Fig 4**

Fig 4



3. Push the front glass down and out of the bracket. **Fig 5**

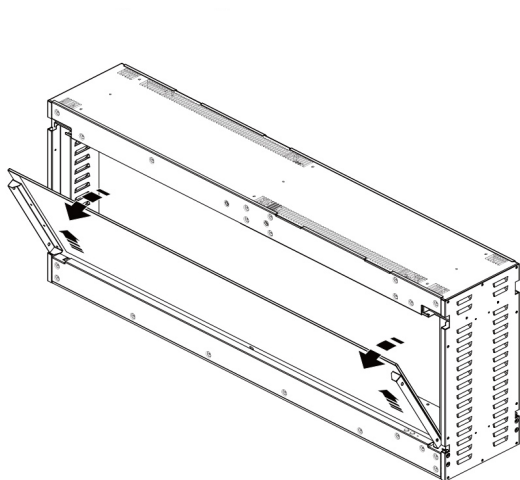
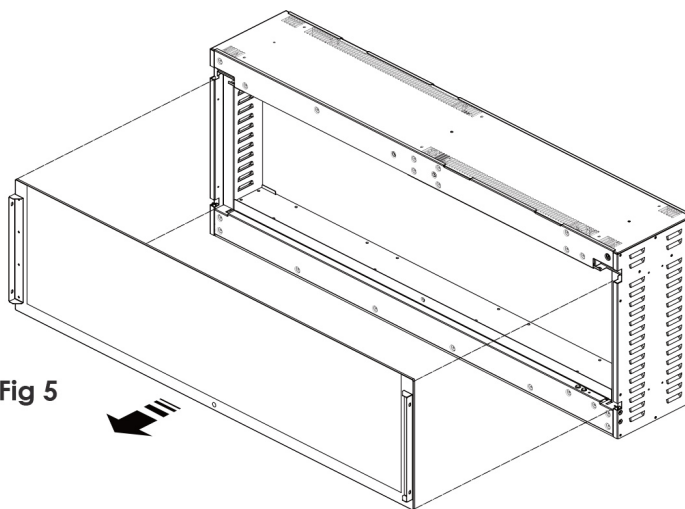


Fig 5



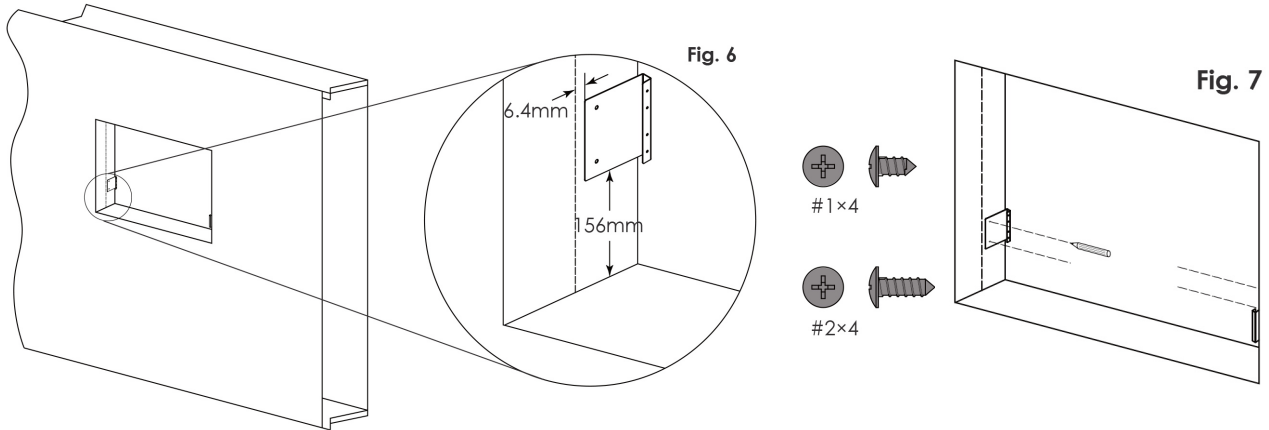
PLEASE NOTE: DIMENSIONS ARE FOR REFERENCE ONLY - CONSULT YOUR INSTALLER AND RETAILER FOR GUIDANCE

ilektró 1250 Tunnel

INSTALLATION PROCEDURE

Product Code: 1250 Tunnel

E. Install mounting bracket by aligning the edge 6.4mm from the center of the wall sides and 156mm from the bottom of the wall sides. Fig. 6

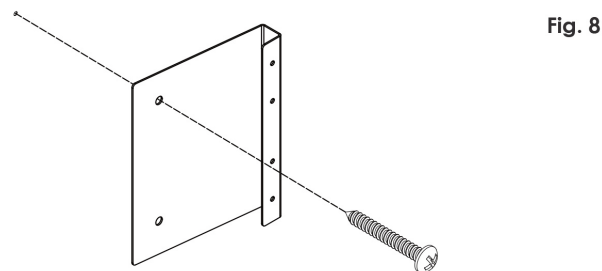


Use a pencil to mark through the holes on the wall brackets. Fig. 7

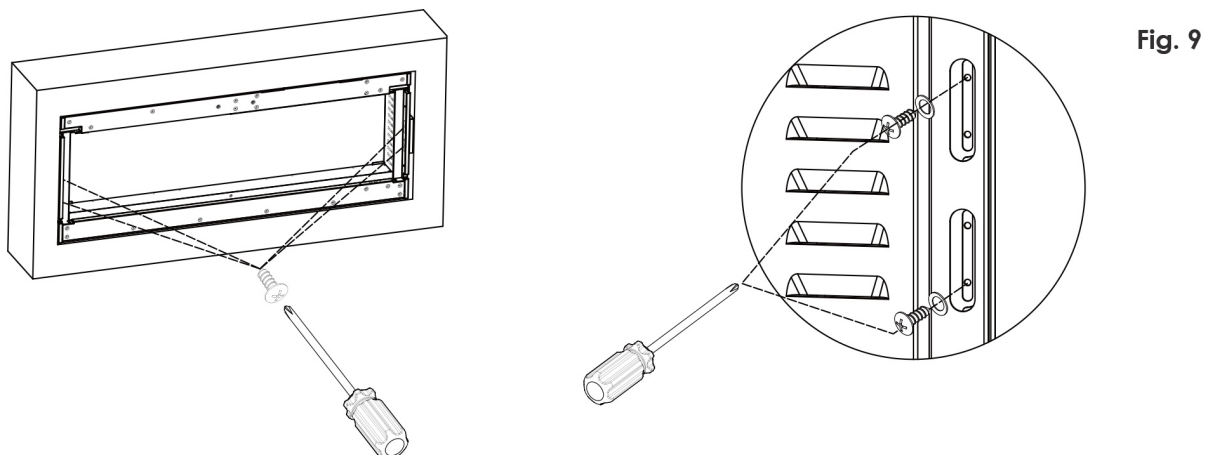
F Drill 2.5mm diameter x 10mm deep holes at the marked locations.

G Insert the screws through the mounting bracket and screw into the holes.

Tighten the screws securely. Fig. 8.



H. Hold the appliance up to ensure it will fit into the frame. Use at least 4 screws (provided) to lock the appliance into the wall mounting brackets. Fig. 9.



PLEASE NOTE: DIMENSIONS ARE FOR REFERENCE ONLY - CONSULT YOUR INSTALLER AND RETAILER FOR GUIDANCE

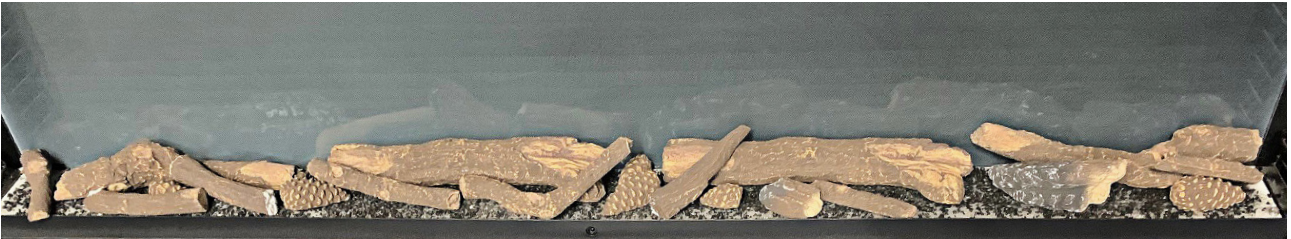
ilektró 1250 Tunnel

INSTALLATION PROCEDURE

Product Code: 1250 Tunnel

I Install the log set to suit your own style. Install the front trim by aligning with the pins on the appliance. This ensures the touch display panel performs properly.

Installation - Suggested Log Layout



NOTE: There is no particular requirement to lay out the logs as shown in the photographs above. The only requirement is that the small triangular openings in the fuel bed of Side B of the fire - any encroachment on this area will reduce the effectiveness of the flame effect.

Front Glass Installation

- Before installing the front glass, ensure the logs have been positioned satisfactorily.
- Lift the glass up and sit into the bottom groove, holding the glass vertical not flat while carrying. Hold and turn the top of glass to flat touch the side panel. See Figure 10.
- Reinstall the 4 screws, see Figure 11.

Fig. 10

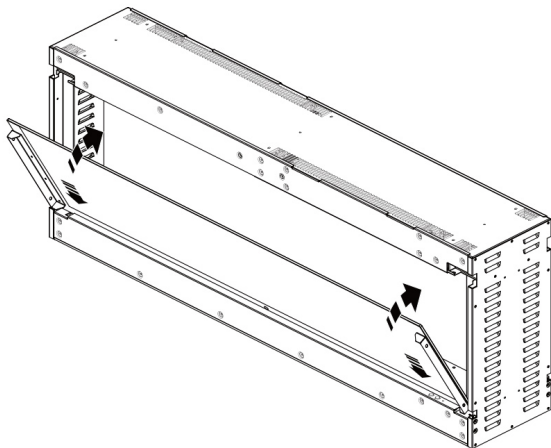
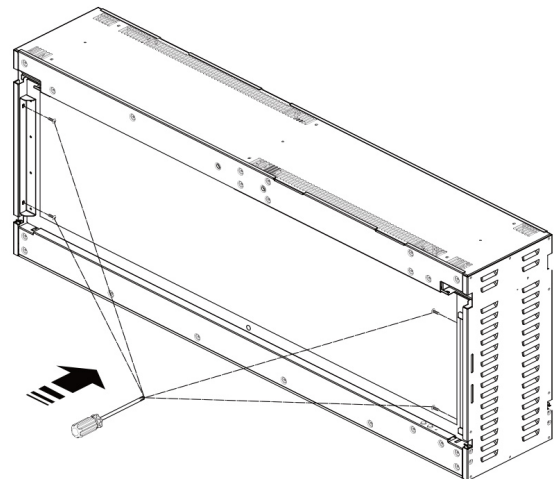


Fig. 11



PLEASE NOTE: DIMENSIONS ARE FOR REFERENCE ONLY - CONSULT YOUR INSTALLER AND RETAILER FOR GUIDANCE

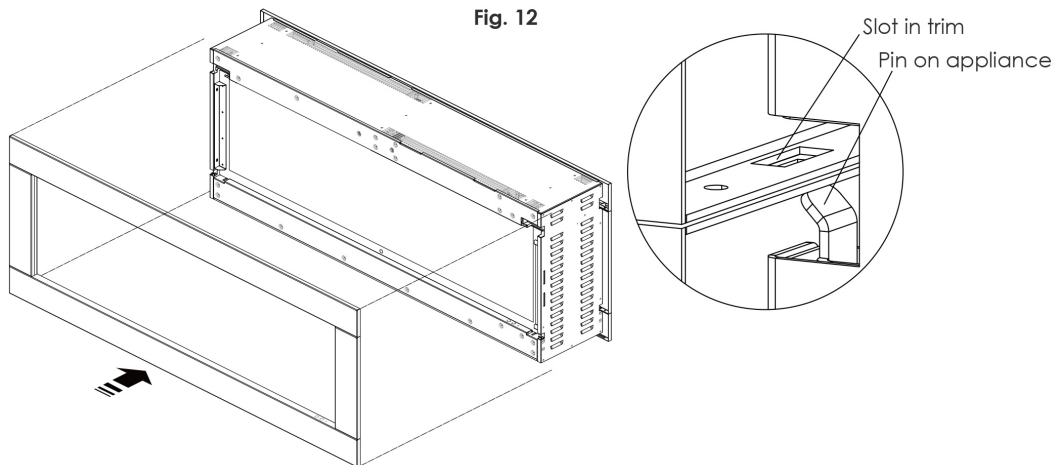
ilektró 1250 Tunnel

INSTALLATION PROCEDURE

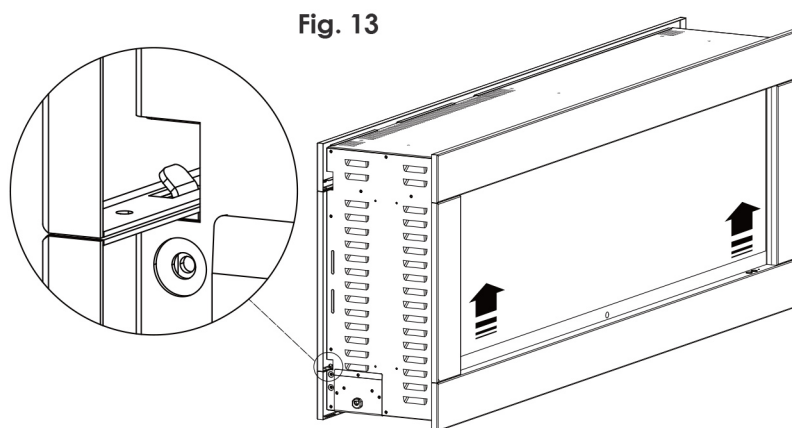
Product Code: 1250 Tunnel

Front Trim Installation

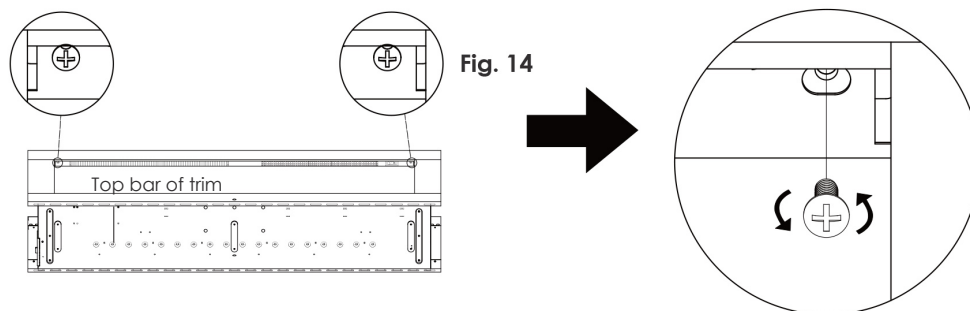
- A. Lift the trim and ensure the trim top lines up with the appliance top, then push in until the trim drops down and sits on the appliance by aligning the slots in the trim with the pins on the appliance. Fig 12.



- B. Pull the trim bottom to check it is located securely. Fig 13.



- C. Screw in and tighten trim. Figure 14.

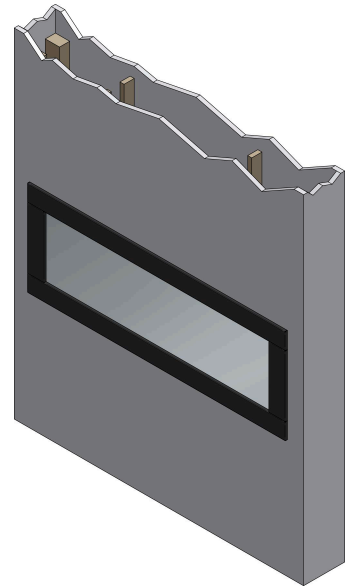


PLEASE NOTE: DIMENSIONS ARE FOR REFERENCE ONLY - CONSULT YOUR INSTALLER AND RETAILER FOR GUIDANCE

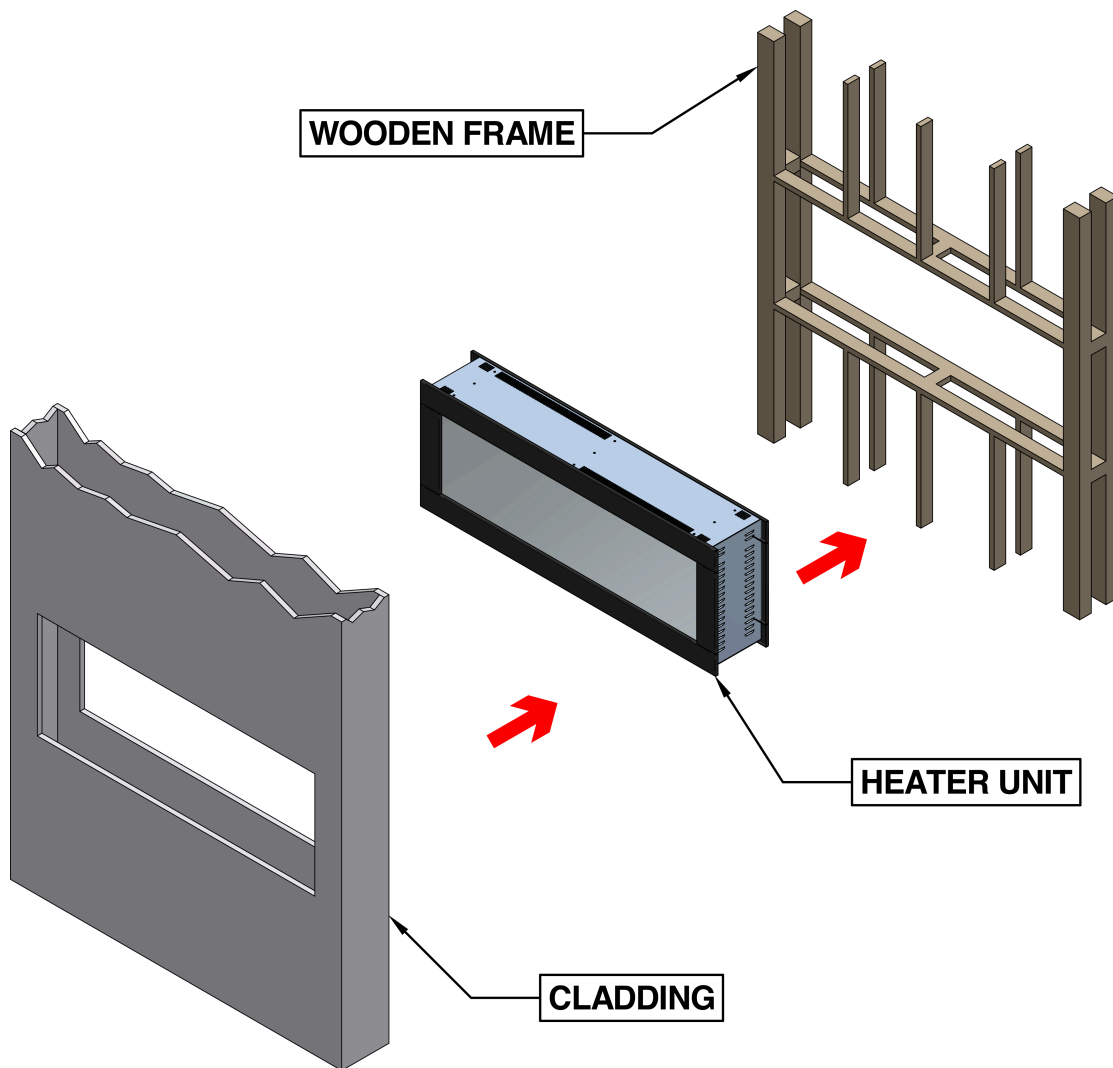
ilektró 1250 Tunnel

Note:

Above given dimensions are for frame structure only.



EXPLODED VIEW



iléktró

148 Cochranes Road
Moorabbin, Victoria 3189

www.paulagnewdesigns.com.au

info@paulagnewdesigns.com.au