

iléktró

SLIMLINE RANGE

USER INSTRUCTIONS AND INSTALLATION



Version 1 04/04/23

Contents of manual may be updated without notice.

For the latest version of this manual please refer to our
website: www.paulagnewdesigns.com.au

IMPORTANT NOTE

THE HEATER OUTLET GRILLE BECOMES VERY HOT WHILST IN OPERATION. DO NOT COVER THE OUTLET GRILLE OR ANY PART OF THE APPLIANCE. FOR USE WITH 110V - 120V 60HZ ELECTRICITY SUPPLY ONLY. PLEASE READ THESE INSTRUCTIONS CAREFULLY BEFORE INSTALLATION KEEP THE INSTRUCTIONS IN A SAFE PLACE. THEY WILL BE NEEDED WHEN MAINTENANCE OR SERVICING IS REQUIRED. THIS APPLIANCE MUST BE EARTHED.

PAUL AGNEW

DESIGNS

USER MANUAL CONTENTS

THIS MANUAL COVERS THE FOLLOWING MODELS ONLY:

IS50 IS60 & IS72

BOX CONTENTS	3
HOW TO USE YOUR APPLIANCE	
1. IMPOTANT SAFETY INFORMATION	4
2. REMOTE CONTROL INSTRUCTIONS	6
3. OPERATING INSTRUCTION	9
4. MAINTENANCE AND CARE	10
HOW TO INSTALL YOUR APPLIANCE	
5. TECHNICAL SPECIFICATION	12
6. GENERAL INSTALLATION	13
7. SETTING THE FUEL BED	17
8. ELECTRICAL CONNECTION	18
REFERENCE INFORMATION	
9. WIRING DIAGRAM	19
10. EXPLODED DIAGRAM	20
11. PRODUCT DIMENSION	26

TERMS AND CONDITIONS WARRANTY

148 COCHRANES ROAD, MOORABBIN,
VICTORIA 3189

FULL TERMS AND CONDITIONS ARE DETAILED IN THE WARRANTY STATEMENT ON THE WEBSITE WWW.PAULAGNEWDESIGNS.COM.AU.

IN THE EVENT OF ANY CONFLICT OF INFORMATION THE WORDING ON THE WEBSITE SHALL PREVAIL. IMPORTANT NOTE: SHOULD ANY PROBLEMS BE EXPERIENCED WITH YOUR PRODUCT, CLAIMS MUST FIRST BE SUBMITTED TO THE RETAILER WHERE THE APPLIANCE WAS PURCHASED FROM WHO WILL OFFER IMMEDIATE ASSISTANCE.

REGISTRATION NUMBER:
IN ACCORDANCE WITH EUROPEAN DIRECTIVE 2012/19/ EU, WASTE ELECTRICAL AND ELECTRONIC EQUIPMENT (WEEE) MUST NOT BE DISPOSED OF WITH HOUSEHOLD WASTE. AT THE END OF ITS USEFUL LIFE PLEASE TAKE THIS PRODUCT TO AN APPROPRIATE RECYCLING CENTRE OR COLLECTION POINT. YOU CAN FIND

YOUR NEAREST RECYCLING CENTRE BY USING THE BANK LOCATOR AT
WWW.RECYCLE-MORE.CO.UK FOR UK CUSTOMERS,
WWW.ACOR.ORG.AU FOR AUSTRALIA CUSTOMERS
WWW.WEEEIRELAND.IE FOR CUSTOMERS IN THE REPUBLIC OF IRELAND, OR BY CONTACTING YOUR LOCAL AUTHORITY



BOX CONTENTS

PLEASE CHECK THAT THE FOLLOWING COMPONENTS ARE INCLUDED WITHIN THE BOX. IF ANYTHING IS MISSING OR DAMAGED, PLEASE CONTACT THE RETAILER AND DO NOT USE THE APPIANCE UNTIL YOU HAVE EVERYTHING.

- APPLIANCE WITH POWER LEAD
- REMOTE CONTROL HANDSET AND BATTERIES.
- FIXING BRACKETS
- INSTRUCTION MANUAL.
- LOG SET.
- EMBER CRYSTALS.

HOW TO USE YOUR APPLIANCE

1. IMPORTANT SAFETY INFORMATION

- READ ALL OF THE INSTRUCTIONS CAREFULLY BEFORE USING THE APPLIANCE. INSTRUCTIONS ARE AVAILABLE ONLINE AT WWW.PAULAGNEWDESIGNS.COM
- REMOVE ALL PACKAGING AND DISPOSE OF AT AN APPROPRIATE RECYCLING FACILITY.
- DO NOT USE THIS APPLIANCE IN THE IMMEDIATE SURROUNDINGS OF A BATH, SHOWER, SWIMMING POOL OR ANY OTHER AREA WHERE THE APPLIANCE COULD COME INTO CONTACT WITH WATER OR HUMIDITY, E.G. A BATHROOM.
- DO NOT ALLOW THE APPLIANCE TO BE COVERED OR LET THE AIR INLET/OUTLET BECOME OBSTRUCTED AS THE APPLIANCE MAY OVERHEAT. PLEASE NOTE THE WARNING SYMBOL ON THE APPLIANCE. FOR INDOOR USE ONLY. THIS APPLIANCE IS NOT SUITABLE FOR USE OUTSIDE THE HOUSE.
- KEEP THE POWER CORD AWAY FROM HOT SURFACES AND HOT CONDITIONS. DO NOT ROUTE THE POWER LEAD IN FRONT OF THE APPLIANCE.
- THIS APPLIANCE MUST BE INSTALLED IN A PURPOSE BUILT STUD-WORK ENCLOSURE OR MOUNTED EXTERNALLY
- ENSURE THE APPLIANCE IS LEVEL AND THAT FURNITURE, CURTAINS ETC. ARE POSITIONED NO CLOSER THAN 1M.
- WHEN THE APPLIANCE HAS BEEN INSTALLED THE POSITION OF THE PLUG MUST BE ACCESSIBLE OR AN ISOLATION SWITCH WILL BE INSTALLED AWAY FROM THE APPLIANCE.
- WHERE THE ELECTRICITY SUPPLY CABLE HAS TO PASS THROUGH A MASONRY WALL, STONE SURROUND ETC. ENSURE SUITABLE RUBBER BUSHES ARE FITTED AT POSSIBLE WEAR POINTS.
- **NEVER** LEAVE CHILDREN UNSUPERVISED WITH AN UNGUARDED HEATER.
- **NEVER** OBSTRUCT OR COVER THE HEATER OUTLET.
- **NEVER** INSTALL OR USE THIS PRODUCT WHERE IT MAY COME IN CONTACT WITH WATER I.E. A BATHROOM OR WET ROOM.
- **NEVER** USE AEROSOLS OR STEAM CLEANERS NEAR THIS PRODUCT.
- **NEVER** ROUTE THE ELECTRIC CABLE NEAR THE HEATER OUTLET.
- **NEVER** ROUTE THE ELECTRIC CABLE UNDER CARPETS OR FLOOR COVERINGS.
- **NEVER** INSTALL THIS PRODUCT CLOSE TO CURTAINS OR COMBUSTIBLE MATERIALS.
- **NEVER** USE THE HEATER TO DRY CLOTHES OR OTHER OBJECTS.
- **NEVER** REMOVE THE FIREPLACE SURROUNDING WITHOUT ISOLATING THE ELECTRIC SUPPLY.

HOW TO USE YOUR APPLIANCE

1. IMPORTANT SAFETY INFORMATION

- IF THE ELECTRICITY SUPPLY CABLE IS DAMAGED DO NOT USE THE APPLIANCE UNTIL IT HAS BEEN REPLACED. FOR SAFETY REASONS THE REPLACEMENT HAS TO BE CARRIED OUT BY A SERVICE AGENT OR A SIMILARLY COMPETENT ELECTRICIAN.
- CAUTION: IN ORDER TO AVOID A HAZARD DUE TO INADVERTENT RESETTING OF THE THERMAL CUT OUT, THIS APPLIANCE MUST NOT BE SUPPLIED THROUGH AN EXTERNAL SWITCHING DEVICE, SUCH AS A TIMER, OR CONNECTED TO A CIRCUIT THAT IS REGULARLY SWITCHED ON AND OFF BY THE UTILITY
- DO NOT OPERATE THE APPLIANCE IF IT IS DAMAGED.
- REPAIRS OF ELECTRICAL APPLIANCES MUST ONLY BE PERFORMED BY AN ELECTRICAL ENGINEER. SHOULD THE APPLIANCE FAIL TO OPERATE, OR IN CASE OF ANY DAMAGE, PLEASE CONTACT THE RETAILER FROM WHOM THE APPLIANCE WAS PURCHASED.
- **CAUTION:** SOME PARTS OF THIS PRODUCT CAN BECOME VERY HOT AND CAUSE BURNS. PARTICULAR ATTENTION MUST BE GIVEN WHERE CHILDREN AND VULNERABLE PEOPLE ARE PRESENT.
- CHILDREN AGED FROM 3 YEARS AND LESS THAN 8 YEARS SHALL ONLY SWITCH ON/OFF THE APPLIANCE PROVIDED THAT IT HAS BEEN PLACED OR INSTALLED IN ITS INTENDED NORMAL OPERATING POSITION AND THEY HAVE BEEN GIVEN SUPERVISION OR INSTRUCTION CONCERNING USE OF THE APPLIANCE IN A SAFE WAY AND UNDERSTAND THE HAZARDS INVOLVED. CHILDREN AGED FROM 3 YEARS AND LESS THAN 8 YEARS SHALL NOT PLUG IN, REGULATE AND CLEAN THE APPLIANCE OR PERFORM USER MAINTENANCE

IF YOU ARE INSTALLING YOUR APPLIANCE IN TO AN EXISTING CHIMNEY CAVITY

- ENSURE THE FLOOR AREA THE APPLIANCE WILL SIT ON IS FLAT AND FREE FROM LOOSE MATERIAL
- ENSURE THE FLUE OUT FROM THE CHIMNEY CAVITY IS SEALED
- IN ORDER TO INSTALL YOUR APPLIANCE EFFECTIVELY DISCUSS WITH YOUR RETAILER THE SURROUND NEEDED TO ENCLOSE YOUR APPLIANCE INTO THE INSTALLATION LOCATION
- TO PROVIDE POWER TO THE APPLIANCE INSTRUCT A QUALIFIED ELECTRICIAN TO INSTALL A POWER SOCKET INSIDE THE CHIMNEY CAVITY, ENSURING THERE IS AN ISOLATION SWITCH ACCESSIBLE OUTSIDE THE CAVITY

HOW TO USE YOUR APPLIANCE
2. REMOTE CONTROL BUTTONS
AND DISPLAY

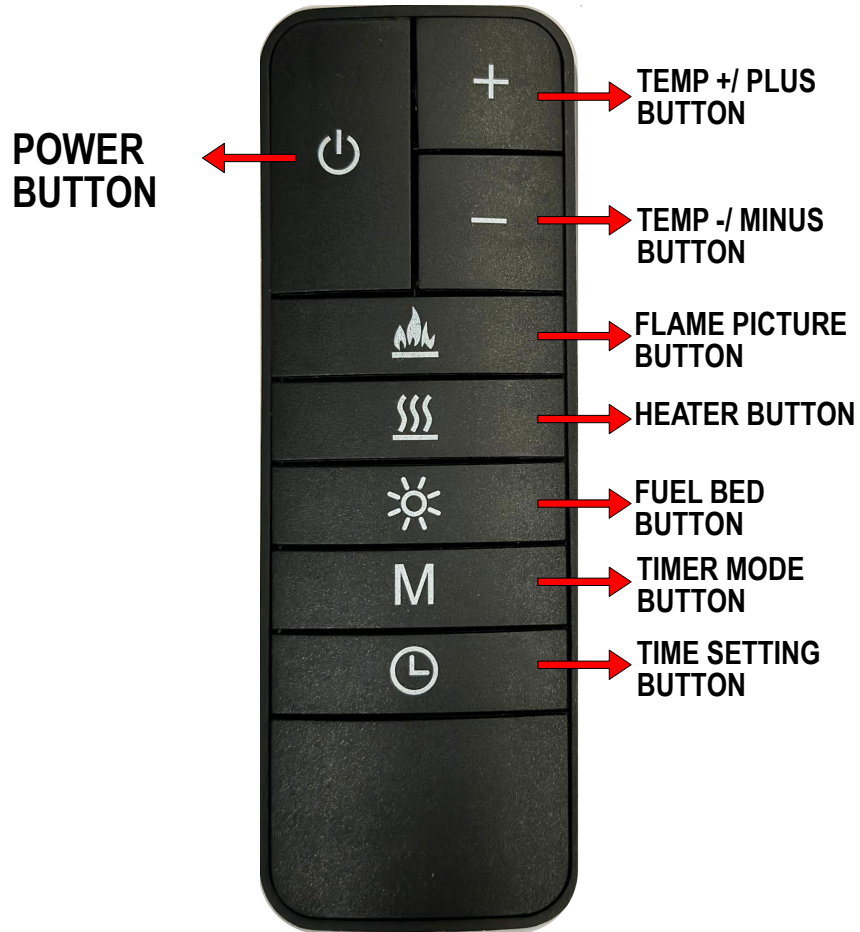


FIG: 05 REMOTE CONTROL BUTTONS

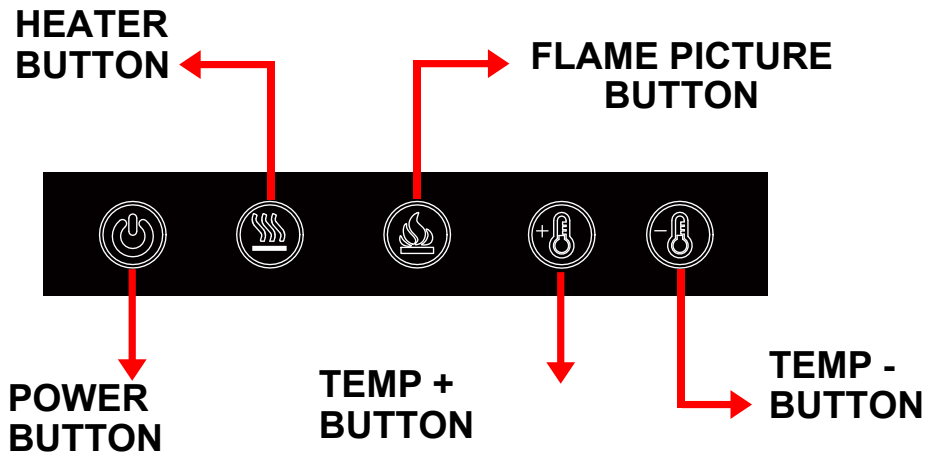










FIG: 06 DISPLAY CONTROL BUTTONS

HOW TO USE YOUR APPLIANCE 2. REMOTE CONTROL BUTTONS AND DISPLAY

-  **ON/OFF:** TURNS APPLIANCE ON AND OFF.
-  **FLAME COLORS:**
6 COLORS (1-2-3-4-5-6): 1. YELLOW 2. RED 3. BLUE 4. YELLOW + RED 5. YELLOW + BLUE 6. YELLOW + RED + BLUE
-  **(+) (-) FLAME BRIGHTNESS:**
5 SETTINGS (F5-F4-F3-F2-F1) FLAME DIMS FROM F5 TO F1. F5 IS THE BRIGHTEST SETTING.
-  **EMBER BED COLOR:**
6 COLORS (1-2-3-4-5-6): 1. ORANGE (DEFAULT) 2. RED 3. PURPLE 4. BLUE 5. SKY BLUE 6. GREEN
-  **HEATER:**
3 SETTINGS (H0-H1-H2): H0-NO HEATER OR BLOWER, H1-HEATER BLOWS WARM AIR 900W, H2-HEATER BLOWS WARM AIR AT 1800W
-  **(+) (-) TEMPERATURE SET:**
RANGE 15-30 DEGREES: CONTROL (+) TO INCREASE THE TEMPERATURE AND CONTROL (-) TO DECREASE THE TEMPERATURE. HEATING IS ONLY TURNED ON WHEN THE SET TEMPERATURE IS ABOVE ROOM TEMPERATURE.
-  **(+) (-) EMBER BED BRIGHTNESS:**
5 SETTINGS (L5-L4-L3-L2-L1): EMBER BED DIMS FROM L5 TO L1. L5 IS THE BRIGHTEST SETTING.
-  **TIMER:**
9 SETTINGS (30MIN, 1HR, 2HR, 3HR, 4HR, 5HR, 6HR, 7HR, 8HR): PRESS BUTTON UNTIL REACH DESIRED SETTING. REFER FOLLOWING PAGE FOR WEEKLY TIMING SETTINGS.

HOW TO USE YOUR APPLIANCE

2. REMOTE CONTROL BUTTONS AND DISPLAY

SETTING THE TIME & DAY (24 HOUR CLOCK)

1. PRESS THE POWER BUTTON TO TURN THE APPLIANCE ON.
2. PRESS AND HOLD THE TIME SETTING BUTTON FOR 2SECS TO DISPLAY THE TIME AND DAY AS PER **FIG XX** (NO NUMBERS SHOWN AS TIME NOT SET).
3. PRESS THE TIME SETTING BUTTON AND THE DAY YOU ARE SETTING WILL FLASH - **FIG XX**
4. ADJUST THE DAY SETTING USING THE + AND -
5. PRESS THE TIME SETTING BUTTON AND THE HOUR YOU ARE SETTING WILL FLASH. ADJUST THE HOUR SETTING USING THE + AND - BUTTONS.
6. PRESS THE TIME SETTING BUTTON AND THE MINUTE YOU ARE SETTING WILL FLASH. ADJUST THE MINUTE SETTING USING THE + AND - BUTTONS.
7. PRESS THE TIME SETTING BUTTON TO SET THE TIME AND EXIT THE TIME/DAY SET-UP.

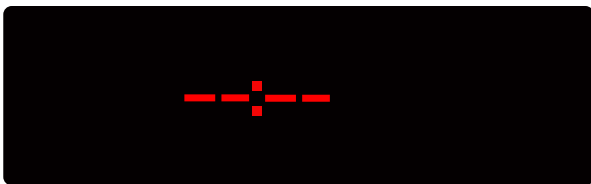


FIG: XX

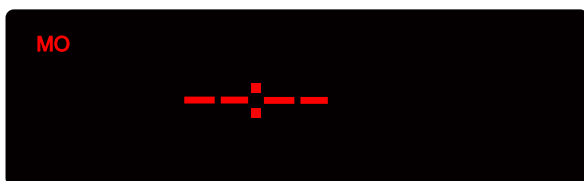


FIG: XX

SETTING THE WEEKLY TIMER

THE TIMER ALLOWS FOR TWO ON/OFF PERIODS (M1/M2) FOR EACH DAY OF THE WEEK AND THE TIMER CAN BE SET USING THE FOLLOWING PROCEDURE:

1. PRESS THE POWER BUTTON TO TURN THE APPLIANCE ON.
2. PRESS AND HOLD THE **TIMER MODE BUTTON** FOR 2SECS TO ENTER THE TIMER SETTINGS. THE SETTINGS FOR THE 1ST ON/OFF PERIOD (M1) FOR THE MONDAY WILL BE SHOWN WITH THE 1ST ON TIME AND HOUR SETTING FLASHING - **FIG xx**. THE GREEN "ON" LIGHT BULB SIGNIFIES THAT YOU ARE SETTING THE ON TIME.



FIG: XX

3. ADJUST THE HOUR SETTING USING THE + AND - BUTTONS AND PRESS THE TIME SETTING BUTTON TO SELECT THE MINUTE SETTING. WITH THE MINUTE SETTING FLASHING, ADJUST THE MINUTE SETTING USING + AND - BUTTONS.
4. PRESS THE TIME SETTING BUTTON AND THE DISPLAY WILL MOVE TO THE 1ST OFF TIME SETTING - **FIG xx**. THE RED "OFF" LIGHT BULB SIGNIFIES THAT YOU ARE SETTING THE OFF TIME.



FIG: XX

5. REPEAT STEPS 2 AND 3 TO SET THE 1ST OFF TIME.

HOW TO USE YOUR APPLIANCE
2. REMOTE CONTROL BUTTONS
AND DISPLAY

SETTING THE WEEKLY TIMER (CONTINUED)

6. PRESS THE TIME SETTING BUTTON AND THE DISPLAY WILL MOVE TO THE 2ND ON/OFF PERIOD (M2) WITH THE 2ND ON TIME SETTING DISPLAYED.
7. REPEAT 2 AND 5 TO SET THE 2ND ON/OFF PERIOD - **FIG xx**



FIG: XX

8. PRESS THE TIME SETTING BUTTON AND THE DISPLAY WILL MOVE TO THE 1ST ON/OFF PERIOD (M1) FOR TUESDAY WITH THE 1ST ON TIME SETTING DISPLAYED.
9. REPEAT STEPS 2 TO 8 FOR TUESDAY'S SETTINGS AND REPEAT THIS PROCESS FOR WEDNESDAY TO SUNDAY'S SETTINGS.
10. HAVING CONFIRMED SUNDAY'S SETTINGS, EXIT THE TIMER SETTINGS BY NOT USING THE REMOTE FOR 10 SECONDS AND THE APPLIANCE WILL DEFAULT INTO NORMAL OPERATION MODE. TO ACTIVATE THE TIMER SETTINGS, PRESS THE TIMER MODE BUTTON UNTIL THE TIMER SYMBOL IS DISPLAYED ON THE SCREEN - **FIGxx**

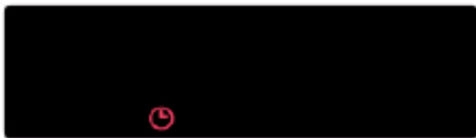
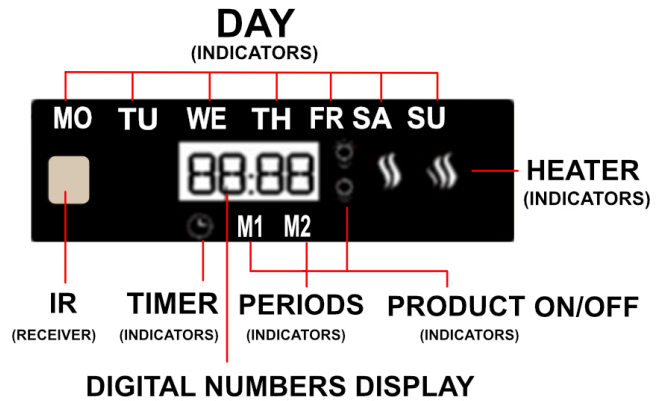


FIG: XX

DISPLAY INFORMATION:

TOP RIGHT CORNER OF THE APPLIANCE; ELEMENTS OF THE DISPLAY ARE VISIBLE WHEN ILLUMINATED.



HOW TO USE YOUR APPLIANCE
3. OPERATING INSTRUCTIONS

THERMAL SAFETY CUT OUT

IF THE SAFETY CUT OUT FOR THE HEATER TRIPS THE APPLIANCE HAS OVERHEATED.

IF THIS HAPPENS:

- SWITCH OFF THE DEVICE FROM THE ISOLATION SWITCH AND ALLOW IT TO COOL DOWN FOR A MINIMUM OF 2 HOURS
- CHECK THE HEATER OUTLET VENTS FOR ANY OBSTRUCTION AND CLEAR IF NECESSARY. SEE MAINTENANCE SECTION FOR GUIDANCE
- PLUG IN THE APPLIANCE AND SWITCH IT ON. THE CUT OUT WILL RESET AND THE APPLIANCE SHOULD FUNCTION NORMALLY.
- IF THE APPLIANCE CONTINUES TO NOT FUNCTION CORRECTLY, CONTACT THE RETAILER OR PLACE OF PURCHASE.

HOW TO USE YOUR APPLIANCE

3. OPERATING INSTRUCTIONS

THERMAL SAFETY CUT OUT

IF THE SAFETY CUT OUT FOR THE HEATER TRIPS THE APPLIANCE HAS OVERHEATED.

IF THIS HAPPENS:

- SWITCH OFF THE DEVICE FROM THE ISOLATION SWITCH AND ALLOW IT TO COOL DOWN FOR A MINIMUM OF 2 HOURS
- CHECK THE HEATER OUTLET VENTS FOR ANY OBSTRUCTION AND CLEAR IF NECESSARY. SEE MAINTENANCE SECTION FOR GUIDANCE
- PLUG IN THE APPLIANCE AND SWITCH IT ON. THE CUT OUT WILL RESET AND THE APPLIANCE SHOULD FUNCTION NORMALLY.
- IF THE APPLIANCE CONTINUES TO NOT FUNCTION CORRECTLY, CONTACT THE RETAILER OR PLACE OF PURCHASE.

HOW TO USE YOUR APPLIANCE

4. MAINTENANCE AND CARE

THE AIR INLET GRILLES ON THE FRONT OF THE APPLIANCE SHOULD BE UNOBSTRUCTED. FREE AIR NEEDS TO CIRCULATE IN THIS AREA.

ALWAYS SWITCH OFF THE APPLIANCE FROM THE ISOLATION SWITCH BEFORE CLEANING OR UNDERTAKING AND MAINTENANCE.

GENERAL CLEANING

- ONLY CLEAN THE GLASS WHEN ITS COLD
- DO NOT USE ABRASIVE CLEANERS ON ANY PART OF THE APPLIANCE
- USE A LINT FREE CLOTH TO WIPE ANY SURFACES
- DO NOT SPRAY CLEANER INTO THE APPLIANCE

CLEANING THE FUEL BED

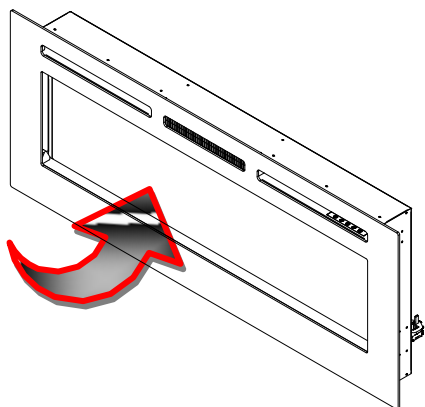
TO ACCESS THE FUEL EFFECT IT WILL BE NECESSARY TO REMOVE THE FRONT GLASS VIEWING PANEL, SEE SERVICING SECTION

- ENSURE THE APPLIANCE IS SWITCHED OFF AT ISOLATION SWITCH.
- REMOVE THE LOGS AND DUST CLEAN. DO NOT WET THE LOGS.
- USE A LINT FREE DUSTER.
- LIFT ALL FUEL MEDIA OUT OF THE FIRE AND WIPE FUEL BED DOWN.
- ENSURE NO MOISTURE REMAINS BEFORE RETURNING THE LOGS INTO POSITION. SEE LOG INSTALLATION PROCESS.
- CAUTION: REPLACE FRONT TRIM WHILE REMOVING LOGS AND FUEL MATERIAL TO ENSURE PIECES DO NOT FALL INTO THE APPLIANCE
- REPLACE THE GLASS AND TRIM AS DESCRIBED IN THE SERVICING INSTRUCTION SECTION.

HOW TO USE YOUR APPLIANCE
5. MAINTENANCE AND CARE

CLEANING THE OUTLETS

- ENSURE THE APPLIANCE IS SWITCHED OFF AT THE ISOLATION SWITCH
- CLEAN THE AIR OUTLET GRILLES REGULARLY WITH A SOFT CLOTH OR THE NOZZLE OF A VACUUM CLEANER



- DUST BUILD-UP CAN INHIBIT EFFICIENT PERFORMANCE OF THE FAN AND LEAD TO THE SAFETY CUT-OUT OPERATING.
- KEEP THE AREA AROUND THE APPLIANCE CLEAN AND FREE OF FLUFF, DUST OR PET HAIR.
- IN PARTICULAR, BUILD-UP OF DUST ETC. CAN OCCUR AROUND THE HEATER VENT AREA. TAKE PARTICULAR CARE TO KEEP THIS AREA FREE FROM SUCH PARTICLES ON A REGULAR BASIS TO PREVENT BUILD-UP.

BATTERY REPLACEMENT

WHEN THE REMOTE BATTERIES IS LOW IT MUST BE CHANGED IMMEDIATELY. INSTALL CORRECT REPLACEMENTS AND DISPOSE OF THE OLD BATTERIES CAREFULLY.

**BATTERY REPLACEMENT
REMOTE CONTROL**

BATTERY INFORMATION - SEE FIG.

1. SLIDE OPEN THE BATTERY COVER ON THE BACK OF THE REMOTE CONTROL
2. INSTALL AAA BATTERIES INTO THE REMOTE CONTROL
3. REPLACE THE BATTERY COVER



Fig.35

DISCARD LEAKY BATTERIES

DISPOSE OF BATTERIES IN THE PROPER MANNER ACCORDING TO LOCAL REGULATIONS.

HOW TO INSTALL YOUR
APPLIANCE
5. TECHNICAL SPECIFICATION

MODEL		IS50	IS60	IS72
WEIGHT KG		20	24	29
VOLTAGE		240V 60HZ	240V 60HZ	240V 60HZ
BATTERY HANDSET TRANSMITTER		12V MN 21/23	12V MN 21/24	12V MN 21/25
ELECTRICAL POWER CONSUMPTION	FLAME PICTURE ONLY	12W	14W	17W
	HEATING ON	1800 WATT	1800 WATT	1800 WATT
SUPPLY CORD	UK	BS1363 UK13A	BS1363 UK13A	BS1363 UK13A
	AUSTRALIAN	AS/NZS3112	AS/NZS3112	AS/NZS3112
	EUROPEAN	VDE 0620	VDE 0620	VDE 0620

NOTE:

WEIGHTS UNIT ONLY NOT INCLUDING PACKAGING
SUITE APPLIANCE (S) WEIGHTS ARE NOT INCLUDING WOODEN SURROUND

**THIS APPLIANCE MUST BE
EARTHED**

THIS APPLIANCE HAS BEEN CERTIFIED FOR USE IN COUNTRIES OTHER THAN THOSE STATED. TO INSTALL THIS APPLIANCE IN THESE COUNTRIES, IT IS ESSENTIAL TO OBTAIN THE TRANSLATED INSTRUCTIONS AND IN SOME CASES THE APPLIANCE WILL REQUIRE MODIFICATION. CONTACT YOUR RETAILER FOR FURTHER INFORMATION.

FOR PRODUCT DIMENSIONS AND INSTALLATION GUIDES FOR BUILDING THE APPLIANCE INTO A LOCATION, PLEASE GO TO WEBSITE: PAULAGNEWDESIGNS.COM.AU. TO DOWNLOAD THE SPEC SHEET FOR YOUR APPLIANCE

HOW TO INSTALL YOUR APPLIANCE

6. GENERAL INSTALLATION

NOTE: INSTALLATION SHOULD BE CARRIED OUT BY A TRAINED INSTALLATION TECHNICIAN. **IF THE PRODUCT IS INSTALLED INCORRECTLY YOUR WARRANTY MAY BE INVALID.**

IT IS VERY IMPORTANT THAT THE AIR INLET GRILLES ON THE FRONT SIDE OF THE APPLIANCE ARE UNOBSTRUCTED AND ADEQUATE SPACE IS LEFT TO ALLOW FREE CIRCULATION OF AIR AROUND THIS AREA.

TOOLS REQUIRED
A SCREWDRIVER, SPIRIT LEVEL AND DRILL MAY BE NEEDED.

UNPACKING THE FIREPLACE

WARNING! DO NOT USE THIS APPLIANCE IF ANY PART HAS BEEN EXPOSED TO WATER. IMMEDIATELY CALL A QUALIFIED SERVICE TECHNICIAN TO INSPECT AND TO REPLACE ANY PART OF THE ELECTRICAL SYSTEM IF NECESSARY.

- CAREFULLY UNPACK THE APPLIANCE. TAKE CARE NOT TO DAMAGE THE SURFACE OF THE APPLIANCE OR THE INSTALLATION AREA. KEEP PLASTIC WRAPPING AWAY FROM CHILDREN. BE RESPONSIBLE WHEN HANDLING THE PACKING MATERIALS.
- CHECK ALL PARTS AND ACCESSORIES ARE REMOVED BEFORE DISPOSING OF ANY PACKAGING.
- IF NECESSARY, KEEP THE ORIGINAL PACKAGING FOR FUTURE TRANSPORT AND/OR STORAGE.

FITTING THE APPLIANCE

TAKE CARE WHEN LIFTING THE APPLIANCE, OBTAIN ASSISTANCE IF REQUIRED AND ALWAYS FOLLOW SAFE MANUAL HANDLING TECHNIQUES.

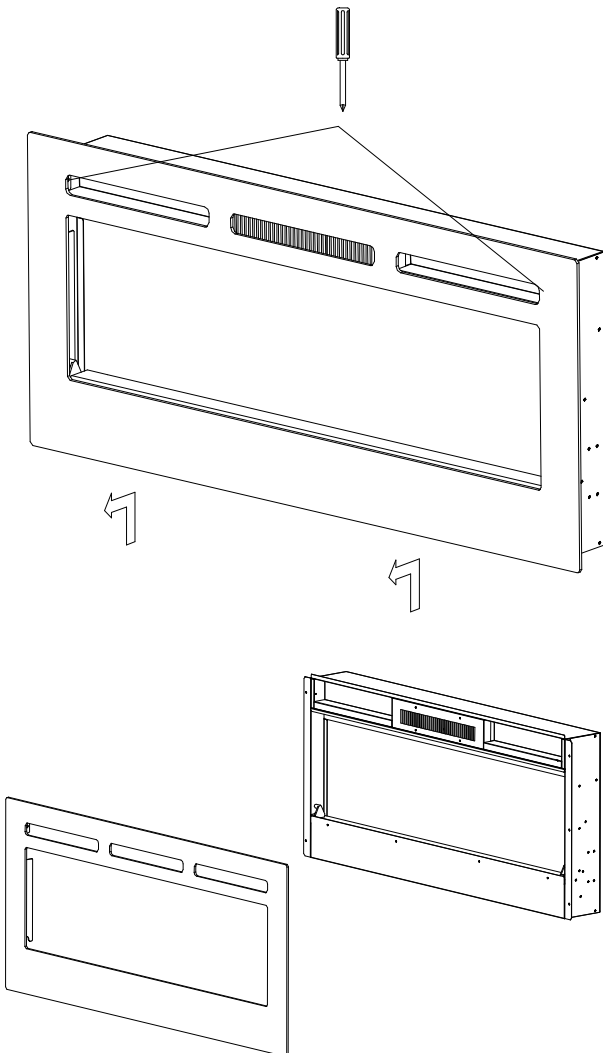
WHEN IN DOUBT CONSULT YOUR RETAILER OR SUITABLY QUALIFIED PERSON.

HOW TO INSTALL YOUR APPLIANCE
6. CONFIGURING YOUR WINDOW

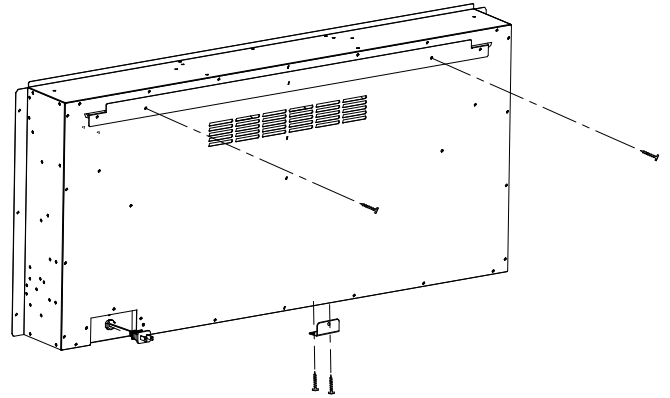
THE INSTALLATION OF THE APPLIANCE MUST BE COMPLETED BY A QUALIFIED TECHNICIAN.

TYPE-1: WALL- MOUNTED INSTALLATION

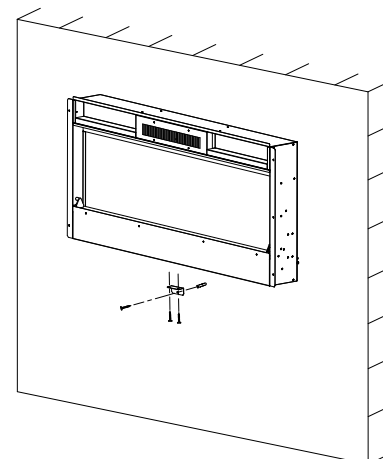
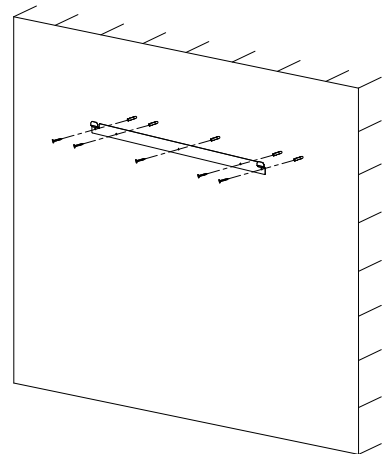
STEP 1. REMOVE TWO SCREWS THAT CONNECT GLASS WITH THE APPLIANCE, THEN REMOVE THE GLASS.



STEP 2. REMOVE TWO SCREWS THAT CONNECT WALL-HANGING BRACKET WITH THE APPLIANCE. THEN REMOVE THE WALL-HANGING BRACKET. REMOVE TWO SCREWS THAT CONNECT FIXED PLATE WITH THE APPLIANCE. THEN REMOVE THE FIXED PLATE.



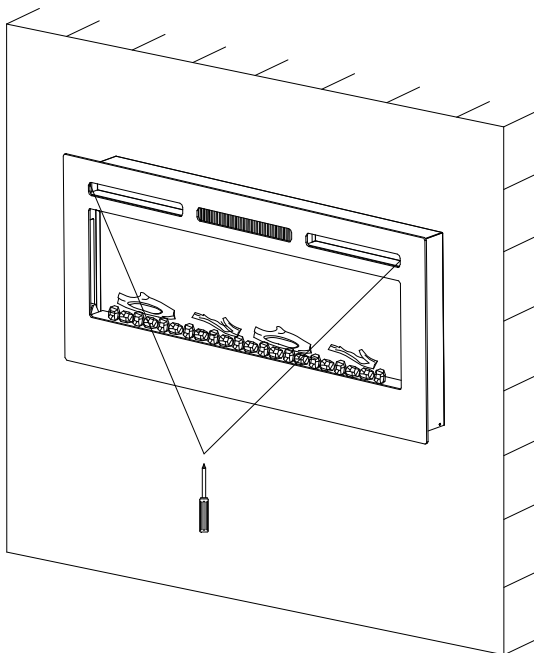
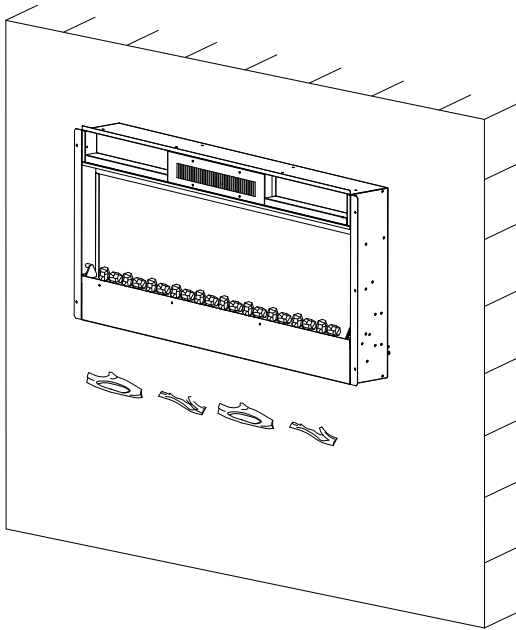
STEP 3. INSTALL THE WALL HANGING BRACKET ON THE WALL USING FOUR FIX BOTTOM BRACKET AND FOUR 3.5 x 30 TAPPING SCREW. HANG THE FIREPLACE ON THE BRACKET AND CONNECT THE LOW SECTION OF FIXED PLATE WITH THE WALL BY USING ONE FIX BOTTOM BRACKET AND ONE 3.5x 30 TAPPING SCREW.



HOW TO INSTALL YOUR
APPLIANCE
6. CONFIGURING YOUR WINDOW

TYPE-1: WALL- MOUNTED INSTALLATION

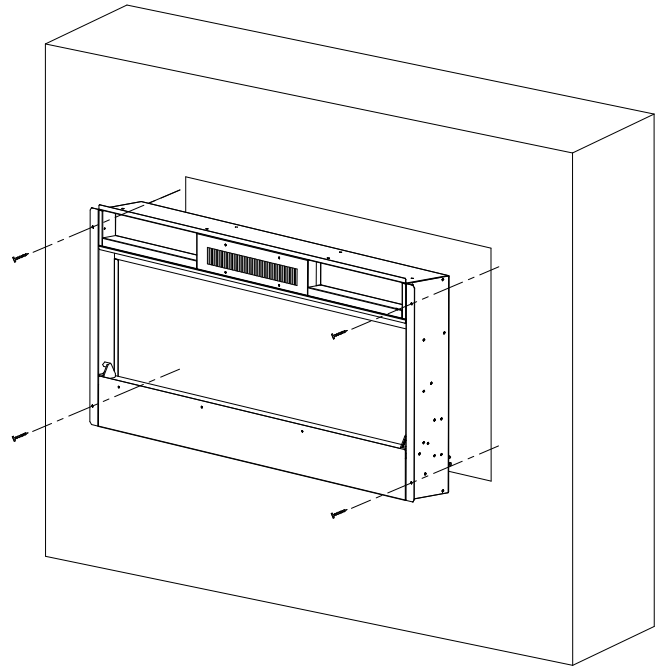
STEP 4. LAY OUT CRYSTALS AND LOGS ON THE PLATE. HANG THE GLASS ON THE APPLIANCE, TWISTING TWO SCREWS TO FIX THE GLASS.



TYPE -2: INSERTING INSTALLATION

STEP 1 AND STEP 2 ARE THE SAME AS THE STEPS OF WALL-MOUNTING INSTALLATION.

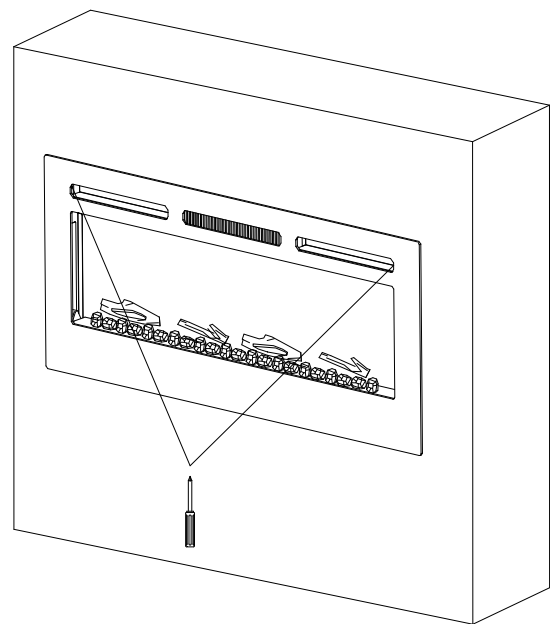
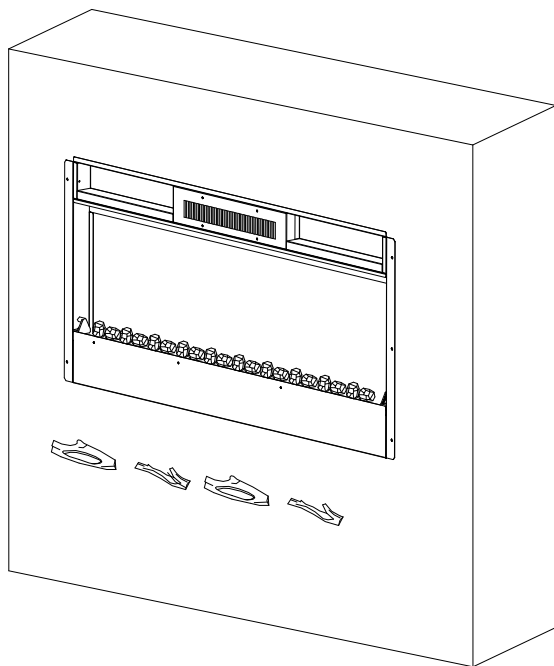
STEP 3. PUSH THE MACHINE INTO THE MOUNTING HOLE OF WOODEN FRAME OR DECORATIVE WOODEN WALL, FIXED BY FOUR 4×12 SCREWS.



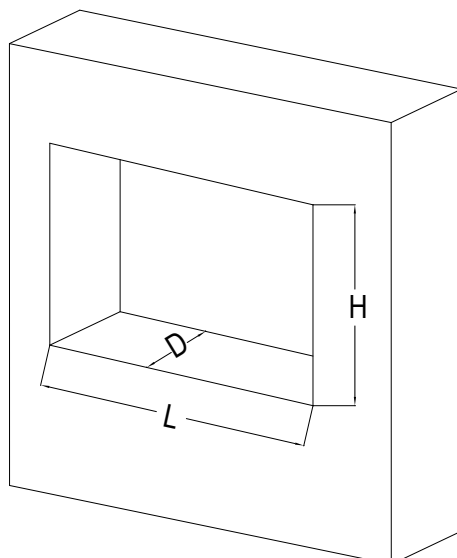
HOW TO INSTALL YOUR APPLIANCE
6. CONFIGURING YOUR WINDOW

TYPE -2: INSERTING INSTALLATION

STEP 4. LAY OUT CRYSTALS AND LOGS ON THE PLATE. HANG THE GLASS ON THE MACHINE, TWISTING TWO SCREWS TO FIX THE GLASS.



SIZE OF OPENINGS IN WOODEN FRAMES OR DECORATIVE WOODEN WALLS



MODEL NUMBER	L	H	D
IS50	1126mm	480mm	120mm
IS60	1380mm	480mm	120mm
IS72	1684mm	480mm	120mm

7. SETTING THE FUEL BED

- INCLUSIONS:

CERAMIC LOG SETS

AMBER CRYSTALS

BLACK CRYSTALS

- CAUTION CERAMIC LOG SETS ARE DELICATE. TAKE CARE WHEN HANDLING.

- STEP 1

SPREAD AMBER AND BLACK CRYSTALS ON FUEL BED

- STEP 2

POSITION CERAMIC LOG AS PER THE DIAGRAM AS SHOWN BELOW. RANDOMLY STACK AND OVERLAY LOGS AGAINST EACH OTHER.



HOW TO INSTALL YOUR APPLIANCE

8. ELECTRICAL CONNECTION

WARNINGS AND CAUTIONS

TO AVOID ELECTRICAL SHOCK DO NOT OPEN THE BACK PANEL OF THE INSERT UNLESS THE POWER HAS BEEN TURNED OFF

AND THE APPLIANCE HAS BEEN UNPLUGGED OR SWITCH OFF AT THE ISOLATION SWITCH.

ANY ELECTRICAL REPAIRS TO THIS APPLIANCE, SHOULD ONLY BE PERFORMED BY A QUALIFIED TECHNICIAN.

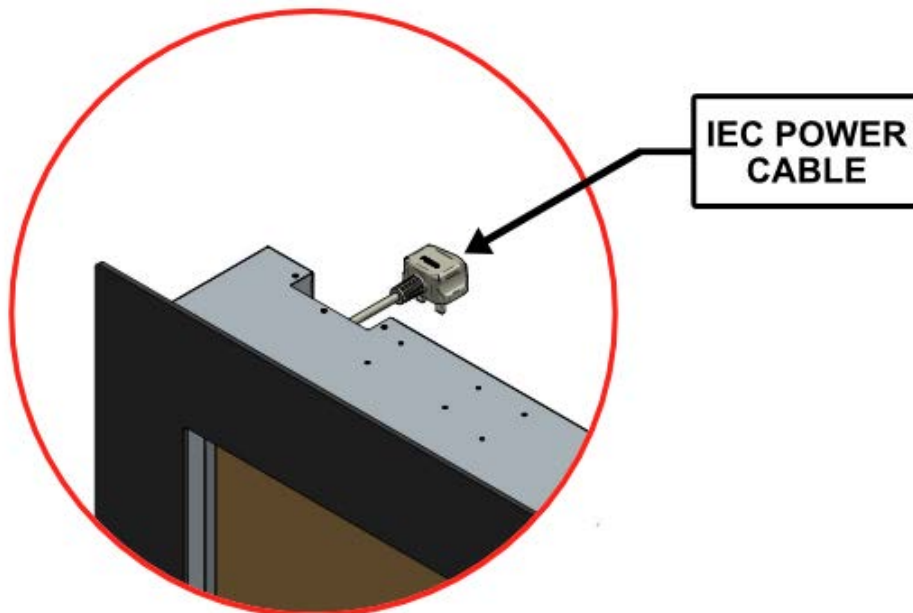
ANY ELECTRICAL WIRING REPAIRS SHOULD ONLY BE PERFORMED BY A QUALIFIED TECHNICIAN.

AND ALSO, MUST COMPLY WITH LOCAL BUILDINGS CODES.

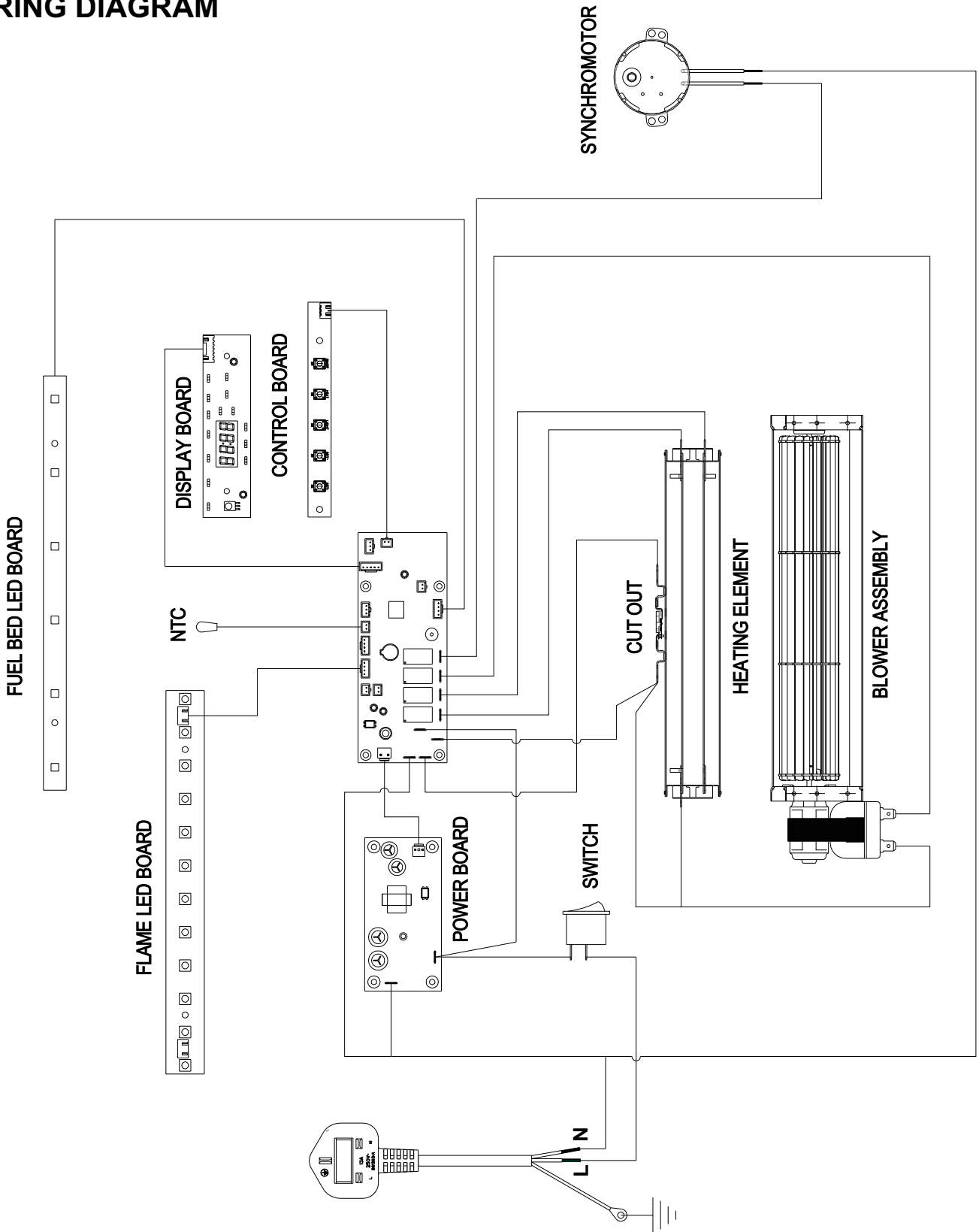
DISCONTINUE USE OF THIS ELECTRIC APPLIANCE IF ANY OF THE FOLLOW HAS OCCURRED: WATER DAMAGE, IF APPLIANCE HAS BEEN OR DENTED, IF POWER CORD HAS BEEN DAMAGES, IF POWER CORD BECOMES HOT TO TOUCH, IF THE APPLIANCE SMOKES OR SMELLS.

NOTE:

ILEKTRO SLIMLINE POWER CORD IS LOCATED ON THE BOTTOM RIGHT-HAND SIDE.

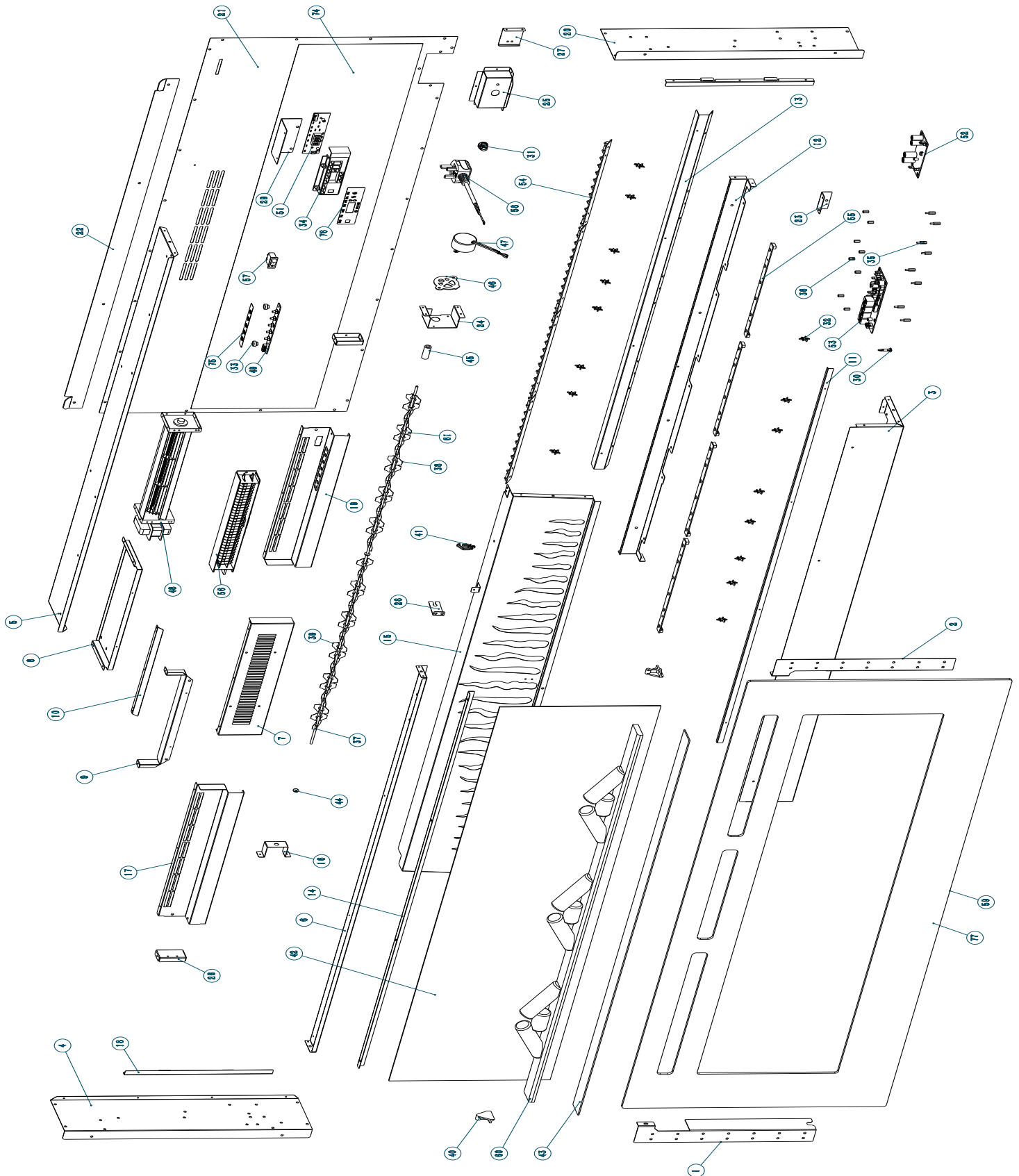


REFERENCE INFORMATION
9. WIRING DIAGRAM



IS50 EXPLODED DIAGRAM

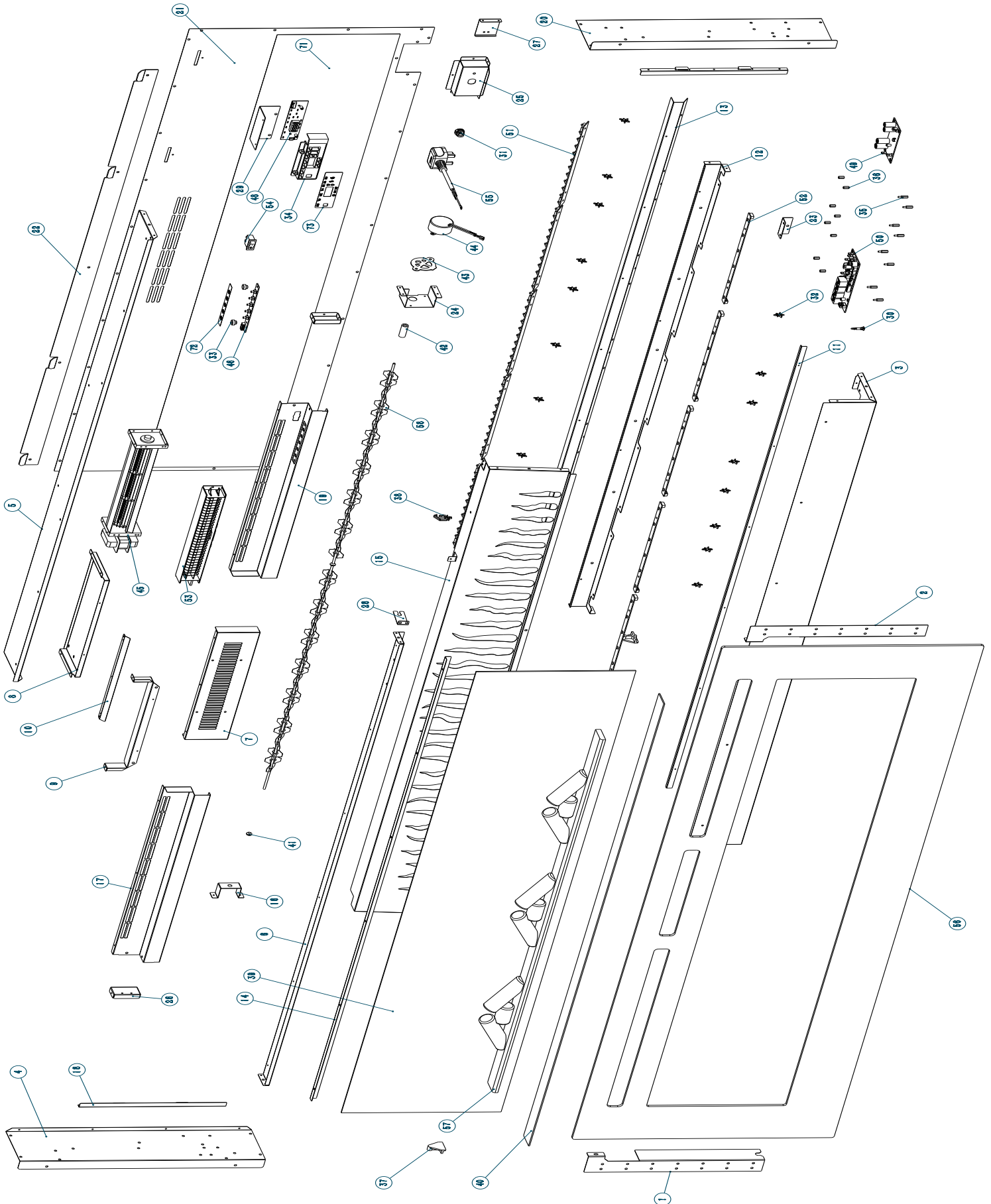
REFERENCE INFORMATION 10. EXPLODED DIAGRAM



MODEL: IS50							
NO	PART NUMBER	DESCRIPTION	QTY	NO	PART NUMBER	DESCRIPTION	QTY
1	100002600000	Left Glass hanging strip	1	32	300000035000	Double Flying Nose Isolation	16
2	100002610000	Right Glass hanging strip	1	33	300000040100-R00	H8 tower isolation column	2
3	100002620142	Baseboard	1	34	3000000370100-R01	Display board support	1
4	100002630000	Left side panel	1	35	300200230100	Single head hexagonal nylon stud	8
5	100002640042	Roof panel	1	36	300200240100	Straight hexagonal nylon stud	8
6	100002650142	Middle Partition	1	37	300400331063	Glass fibre tube	1
7	100002660000	Air outlet plate	1	38	300400663020	Reflector	1
8	100002670000	Fan fixing plate	1	39	300400663022	Reflector	1
9	100002680000	Air passage	1	40	300400670000	Hook fixed climbing	2
10	100002690000	Air passage baffle	1	41	300401170200-R00	Power harness holder(with lock)	1
11	100002700042	Log sets support	1	42	300401300200	Imaging screen	1
12	100002710042	Log sets rear support	1	43	300401330042	Fuel bed	1
13	100002720042	Flame LED strip	1	44	340000010500-R00	Protective coil	2
14	100002730042	Screen layering	1	45	340400020100	Rubber tube	1
15	100002740042	Flame plate	1	46	340400120200-R00	Synchronous motor shock pad	1
16	100002750000	Rotisserie support	1	47	430000123002-R00	Synchronous motor	1
17	100002760042	Left air intake panel	1	48	430000500200	Cross flow fan	1
18	100002770000	Screen side stopper	2	49	440000090210	Key board	1
19	100002780142	Right air intake panel	1	50	440000110200	Remote control	1
20	100002790000	Right side panel	1	51	440000160300	Display Board	1
21	100002800000	Thread buckle reinforced version	1	52	440000170100-R00	Driver board	1
22	100002810042	Rear cover plate	1	53	440000180800	Main control board	1
23	100002820042	Wall mounting bracket	1	54	440402810100	3 color flame LED	4
24	100002830000	Wall mounting plate	1	55	440402820100	10 color RGB LED strip	4
25	100002840200	Synchronous motor bracket	1	56	450002120200	Heating rack	1
26	100002850200	Power incoming board	1	57	460000010400-R00	Rocker switch	1
27	100002860000	Glass fixing block	2	58	470000070100	Power plug (UK)	1
28	100002870000	Fan line fixing plate	1	59	500400220142	Front Glass	1
29	100002890000	Display board support	1	60	510400390042	Log sets	1
30	300000020400	Flat bottom isolation column	1	61	510400500042	Rotisserie	1
31	300000030400-R00	6N-4 power cord buckle	1				

IS60 EXPLODED DIAGRAM

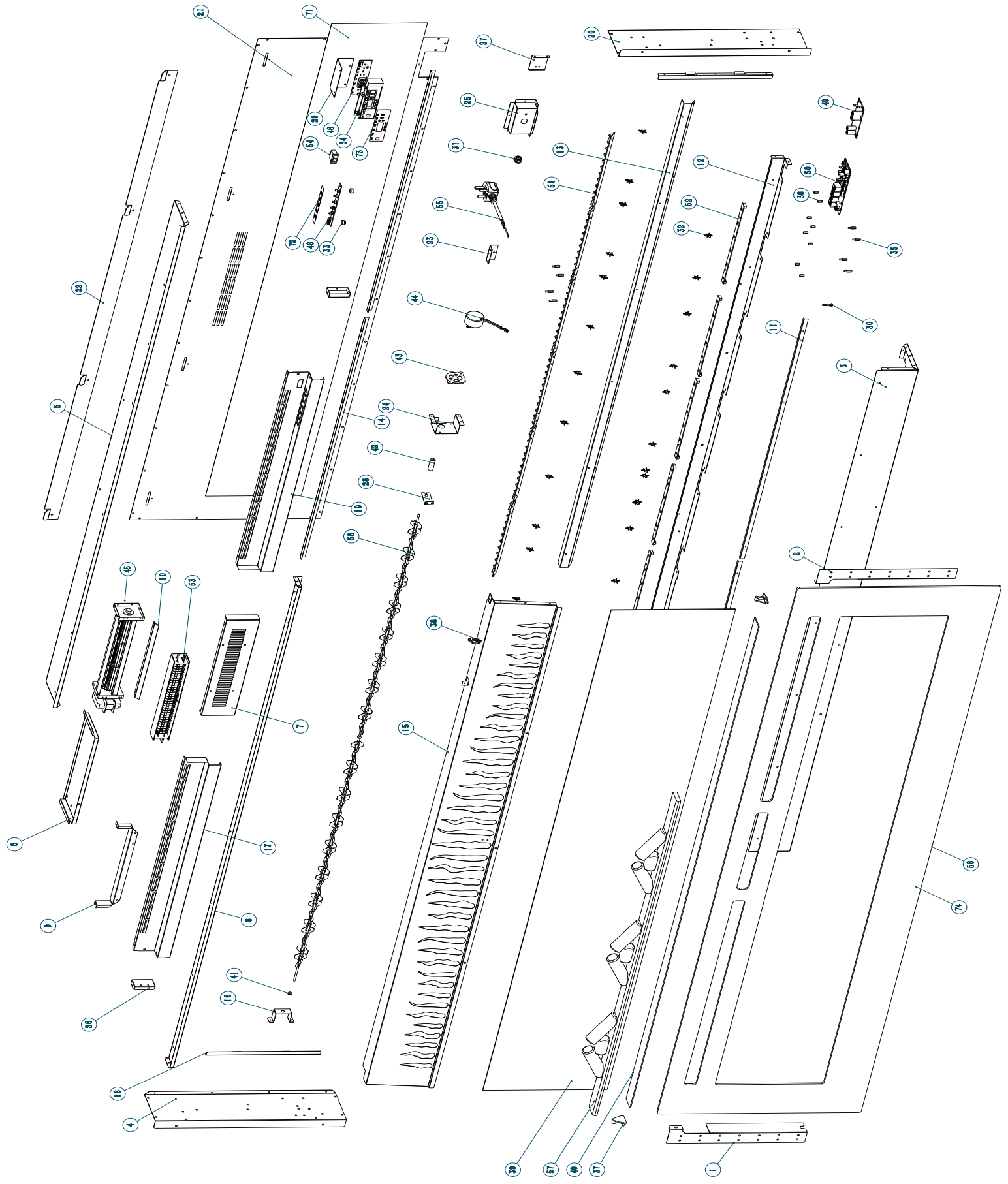
REFERENCE INFORMATION 17. EXPLODED DIAGRAM



MODEL: IS60							
NO	PART NUMBER	DESCRIPTION	QTY	NO	PART NUMBER	DESCRIPTION	QTY
1	10000260000	Left Glass hanging strip	1	32	300000035000	Double Flying Nose Isolation	20
2	100002610000	Right Glass hanging strip	1	33	300000040100-R00	H8 tower isolation column	2
3	100002620142	Baseboard	1	34	300000370100-R01	Display board support	1
4	100002630000	Left side panel	1	35	300200230100	Single head hexagonal nylon stud	8
5	100002640042	Roof panel	1	36	300200240100	Straight hexagonal nylon stud	8
6	100002650142	Middle Partition	1	37	300400670000	Hook fixed climbing	2
7	100002660000	Air outlet plate	1	38	300401170200-R00	Power harness holder(with lock)	1
8	100002670000	Fan fixing plate	1	39	300401300200	Imaging screen	1
9	100002680000	Air passage	1	40	300401330042	Fuel bed	1
10	100002690000	Air passage baffle	1	41	340000010500-R00	Protective coil	2
11	100002700042	Log sets support	1	42	340400020100	Rubber tube	1
12	100002710042	Log sets rear support	1	43	340400120200-R00	Synchronous motor shock pad	1
13	100002720042	Flame LED strip	1	44	430000123002-R00	Synchronous motor	1
14	100002730042	Screen layering	1	45	430000500200	Cross flow fan	1
15	100002740042	Flame plate	1	46	440000090210	Key board	1
16	100002750000	Rotisserie support	1	47	440000110200	Remote control	1
17	100002760042	Left air intake panel	1	48	440000160300	Display Board	1
18	100002770000	Screen side stopper	2	49	440000170100-R00	Driver board	1
19	100002780142	Right air intake panel	1	50	440000180800	Main control board	1
20	100002790000	Right side panel	1	51	440402810100	3 color flame LED	4
21	100002800000	Thread buckle reinforced version	1	52	440402820100	10 color RGB LED strip	4
22	100002810042	Rear cover plate	1	53	450002120200	Heating rack	1
23	100002820042	Wall mounting bracket	1	54	460000010400-R00	Rocker switch	1
24	100002830000	Wall mounting plate	1	55	470000070100	Power plug (UK)	1
25	100002840200	Synchronous motor bracket	1	56	500400220142	Front Glass	1
26	100002850200	Power incoming board	1	57	510400390042	Log sets	1
27	100002860000	Glass fixing block	2	58	510400500042	Rotisserie	1
28	100002870000	Fan line fixing plate	1				
29	100002890000	Display board support	1				
30	300000020400	Flat bottom isolation column	1				
31	300000030400-R00	6N-4 power cord buckle	1				

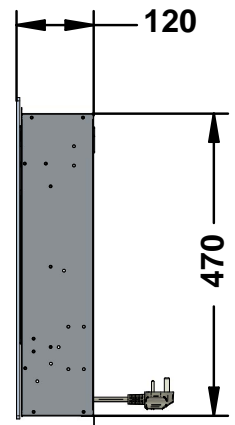
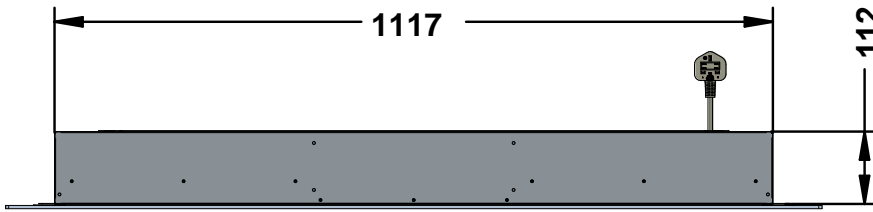
IS72 EXPLODED DIAGRAM

REFERENCE INFORMATION 17. EXPLODED DIAGRAM

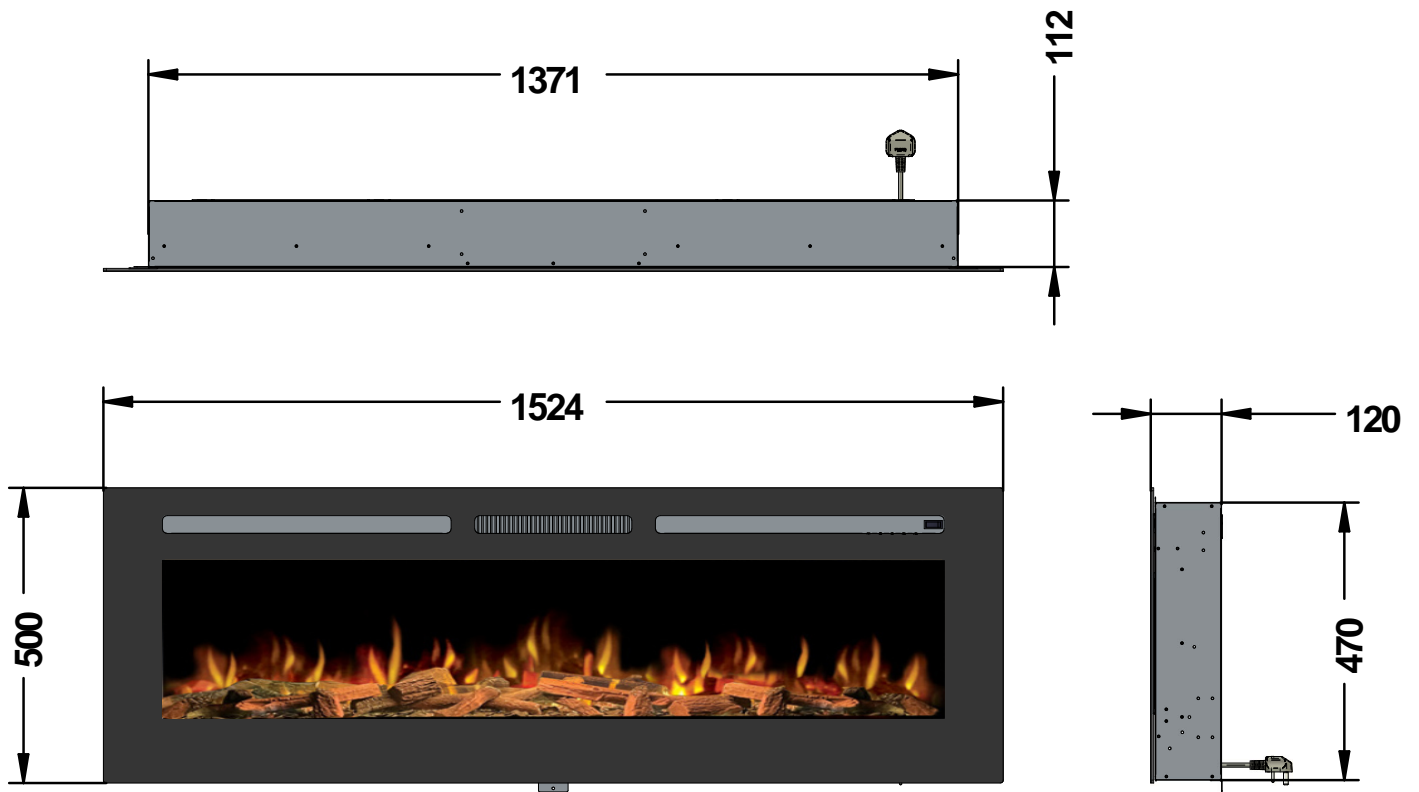


MODEL: IS72							
NO	PART NUMBER	DESCRIPTION	QTY	NO	PART NUMBER	DESCRIPTION	QTY
1	10000260000	Left Glass hanging strip	1	32	30000035000	Double Flying Nose Isolation	24
2	100002610000	Right Glass hanging strip	1	33	30000040100-R00	H8 tower isolation column	2
3	100002620142	Baseboard	1	34	300000370100-R01	Display board support	1
4	100002630000	Left side panel	1	35	300200230100	Single head hexagonal nylon stud	8
5	100002640042	Roof panel	1	36	300200240100	Straight hexagonal nylon stud	8
6	100002650142	Middle Partition	1	37	300400670000	Hook fixed climbing	2
7	100002660000	Air outlet plate	1	38	300401170200-R00	Power harness holder(with lock)	1
8	100002670000	Fan fixing plate	1	39	300401300200	Imaging screen	1
9	100002680000	Air passage	1	40	300401330042	Fuel bed	1
10	100002690000	Air passage baffle	1	41	340000010500-R00	Protective coil	1
11	100002700042	Log sets support	2	42	340400020100	Rubber tube	1
12	100002710042	Log sets rear support	1	43	340400120200-R00	Synchronous motor shock pad	1
13	100002720042	Flame LED strip	1	44	430000123002-R00	Synchronous motor	1
14	100002730042	Screen layering	2	45	430000500200	Cross flow fan	1
15	100002740042	Flame plate	1	46	440000090210	Key board	1
16	100002750000	Rotisserie support	1	47	440000110200	Remote control	1
17	100002760042	Left air intake panel	1	48	440000160300	Display Board	1
18	100002770000	Screen side stopper	2	49	440000170100-R00	Driver board	1
19	100002780142	Right air intake panel	1	50	440000180800	Main control board	1
20	100002790000	Right side panel	1	51	440402810100	3 color flame LED	6
21	100002800000	Thread buckle reinforced version	1	52	440402820100	10 color RGB LED strip	6
22	100002810042	Rear cover plate	1	53	450002120200	Heating rack	1
23	100002820042	Wall mounting bracket	1	54	460000010400-R00	Rocker switch	1
24	100002830000	Wall mounting plate	1	55	470000070100	Power plug (UK)	1
25	100002840200	Synchronous motor bracket	1	56	500400220142	Front Glass	1
26	100002850200	Power incoming board	1	57	510400390042	Log sets	1
27	100002860000	Glass fixing block	2	58	510400500042	Rotisserie	1
28	100002870000	Fan line fixing plate	1				
29	100002890000	Display board support	1				
30	300000020400	Flat bottom isolation column	1				
31	300000030400-R00	6N-4 power cord buckle	1				

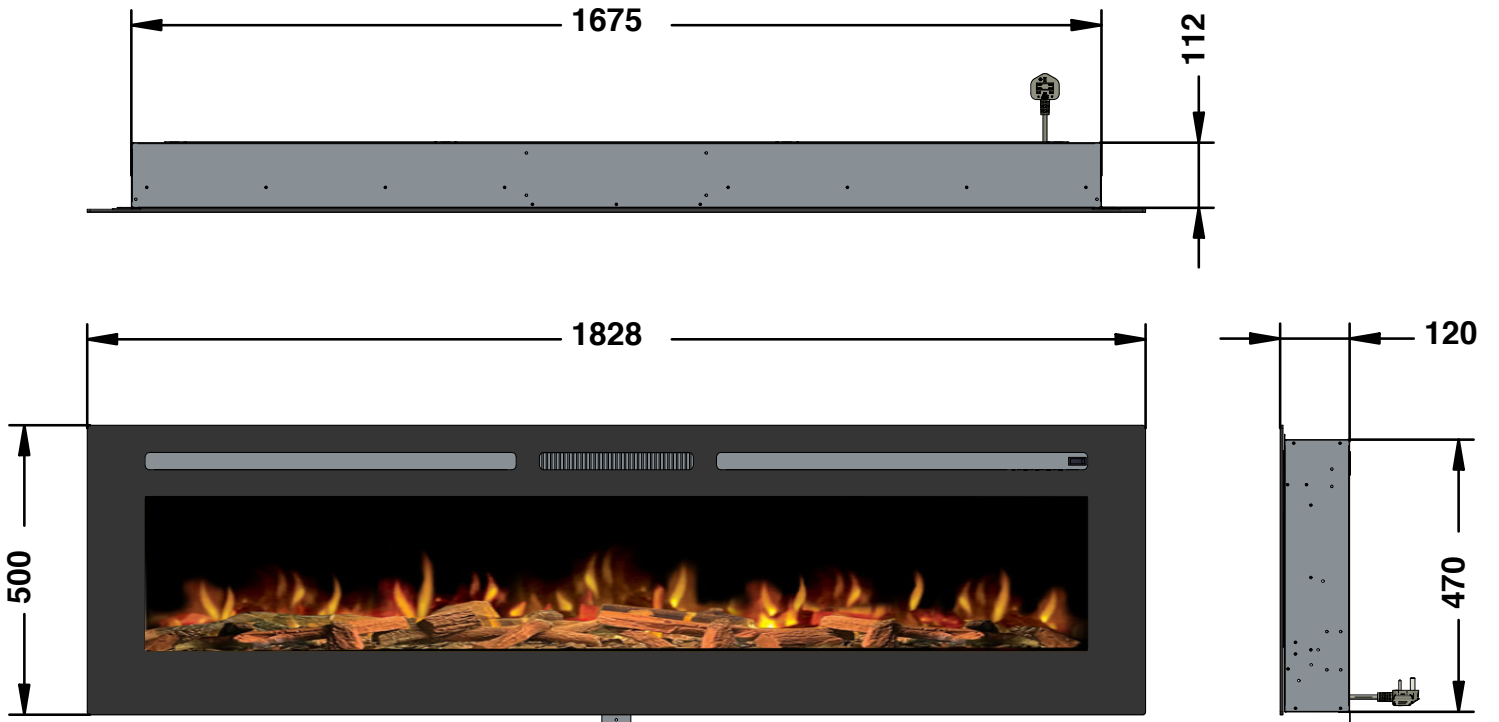
ilektro Slimline IS50



ilektró Slimline IS60



ilektró Slimline IS60



iléktró

www.paulagnewdesigns.com.au

info@paulagnewdesigns.com.au