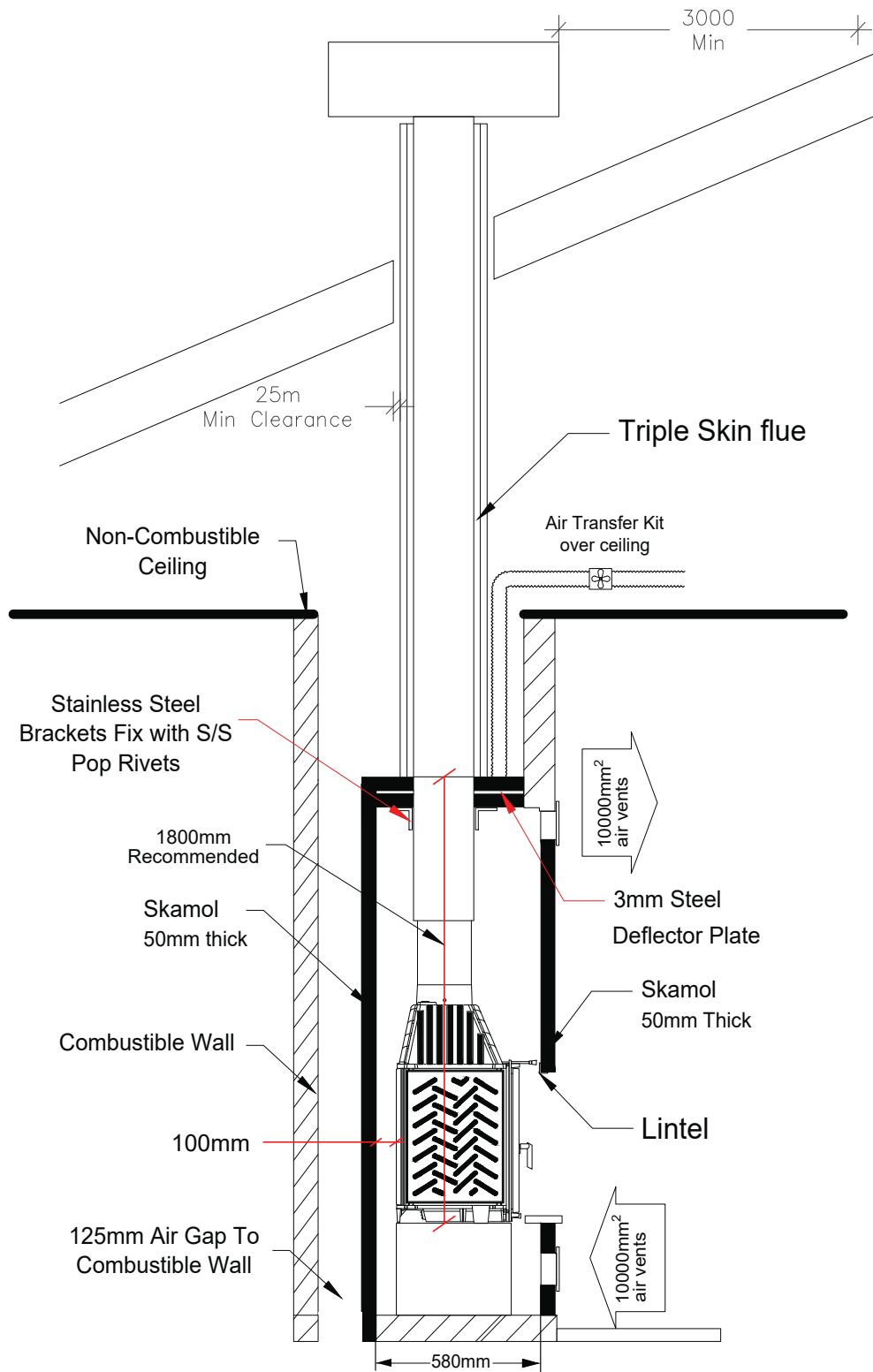


PYRO CAST INBUILT

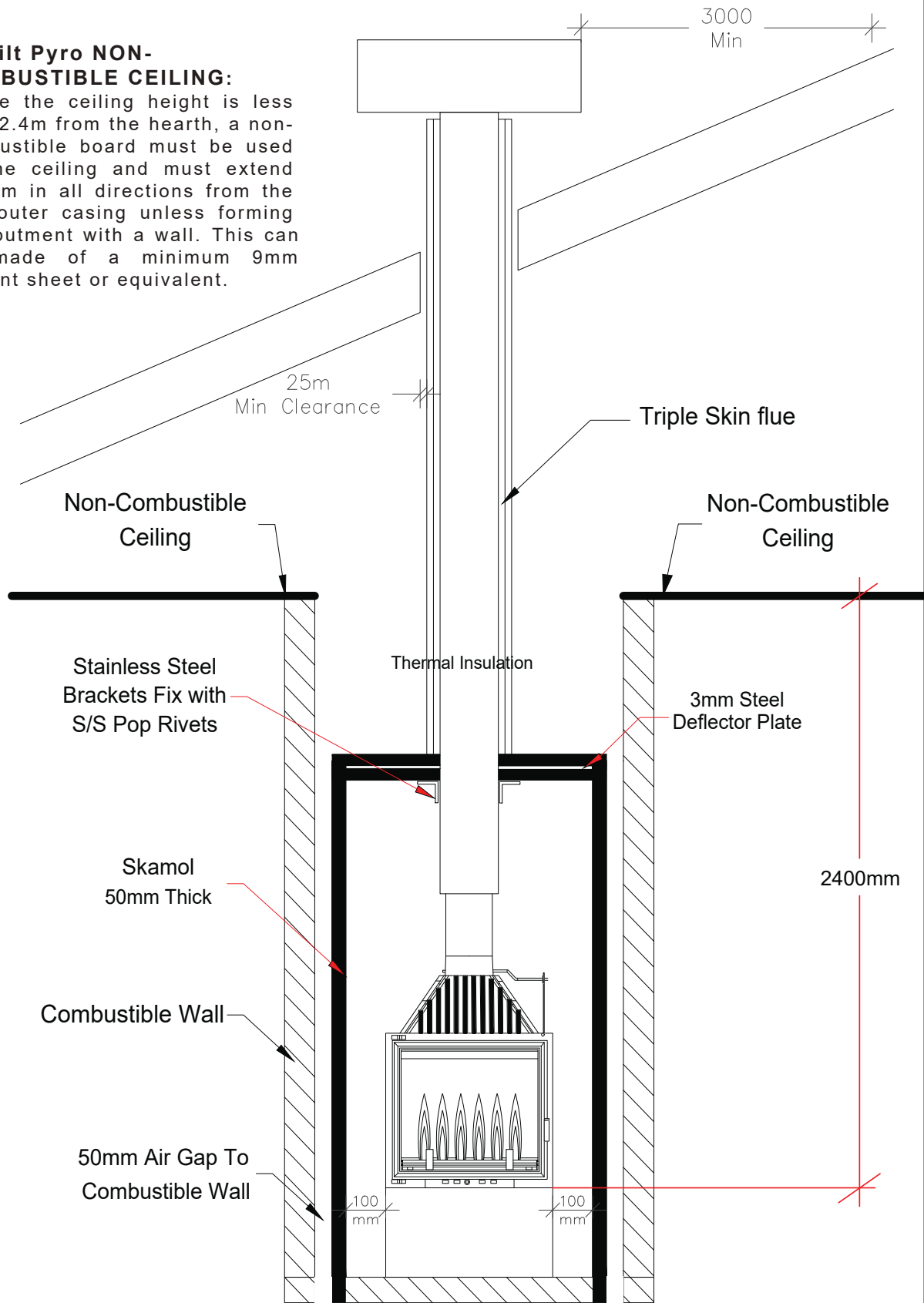
OPTION 1



PYRO CAST INBUILT

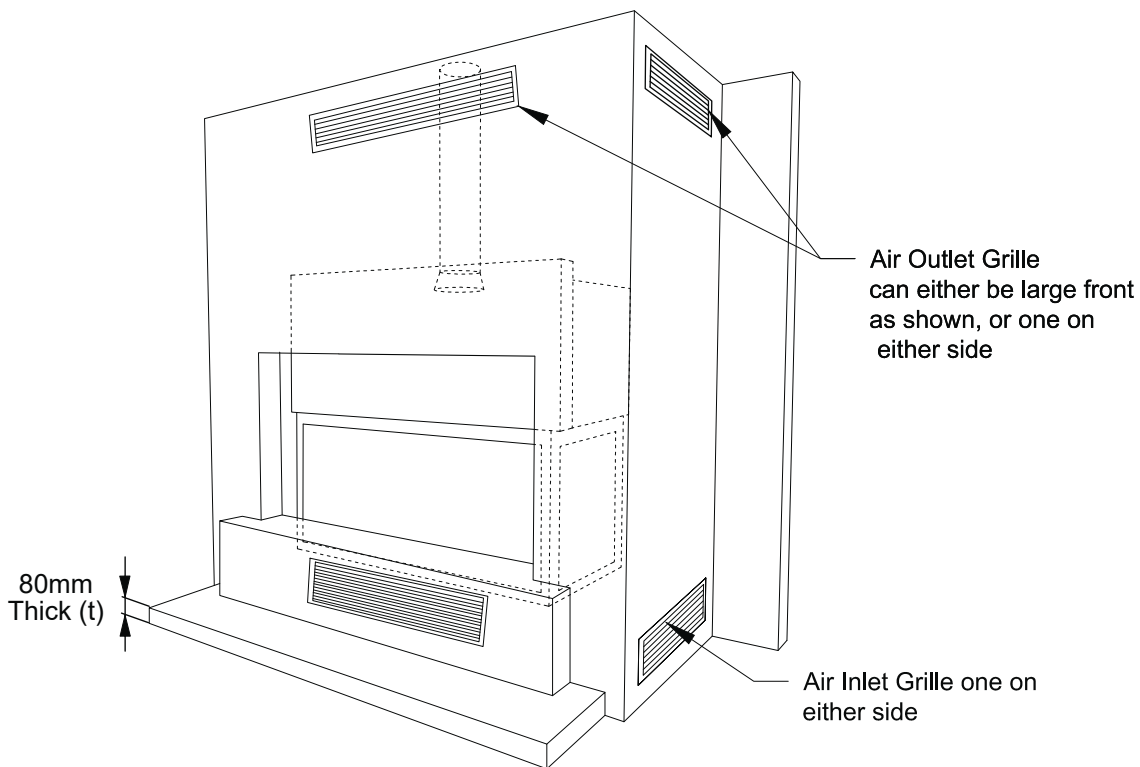
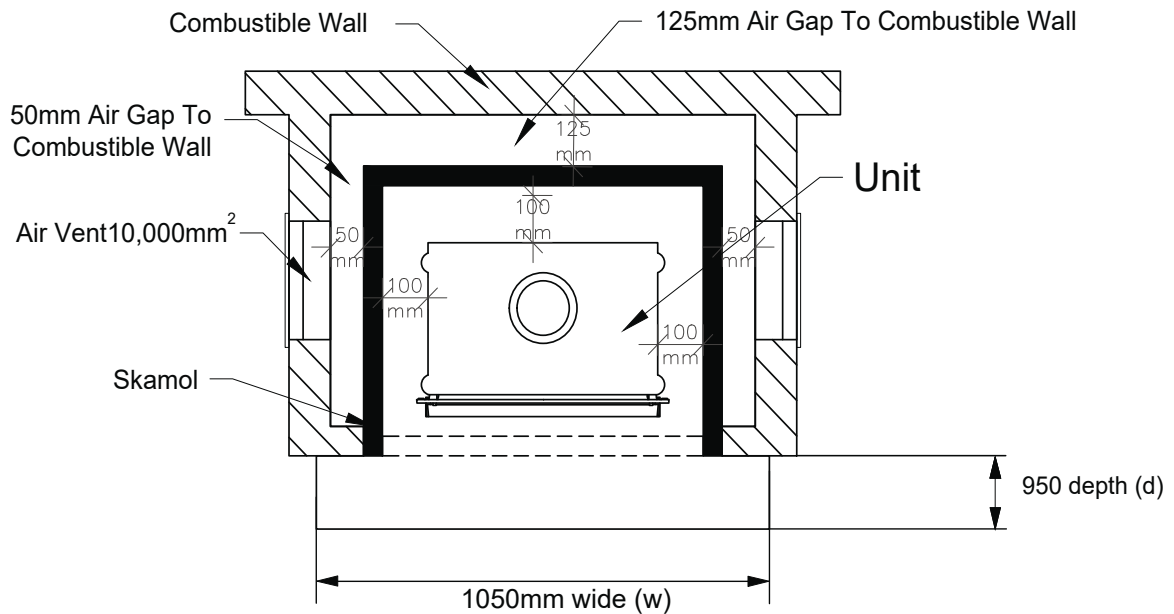
Inbuilt Pyro NON-COMBUSTIBLE CEILING:

Where the ceiling height is less than 2.4m from the hearth, a non-combustible board must be used on the ceiling and must extend 800mm in all directions from the flue outer casing unless forming an abutment with a wall. This can be made of a minimum 9mm cement sheet or equivalent.



PYRO CAST INBUILT

PLAN 1



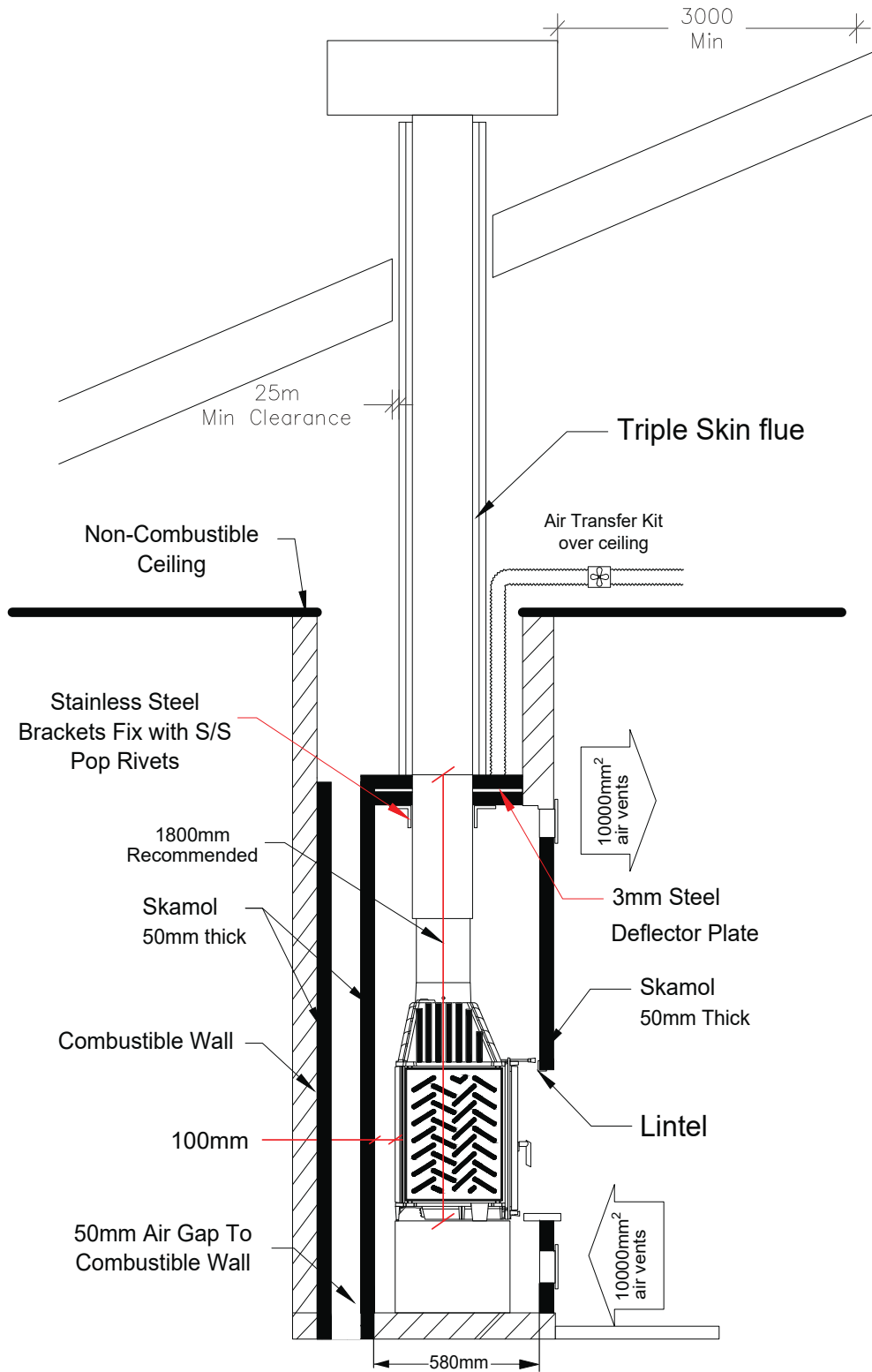
Notes:

1. Air outlet grilles minimum air flow area required = 100cm² each side.
2. Air inlet grilles minimum air flow area = 100cm² each side and 200cm² if one grille is used.
3. Hearth height dimensions optional refer to table in page 7.
4. All dimensions in millimeters.
5. Do not scale from these diagrams.
6. Air transfer kits mandatory for exempt units to comply to AS/NZ 4012/4013:2014. Fan optional depending on duct length.

IMPORTANT: NO BRICKWORK TO BE COMMENCED UNTIL FIREBOX IS PLACED IN POSITION

PYRO CAST INBUILT

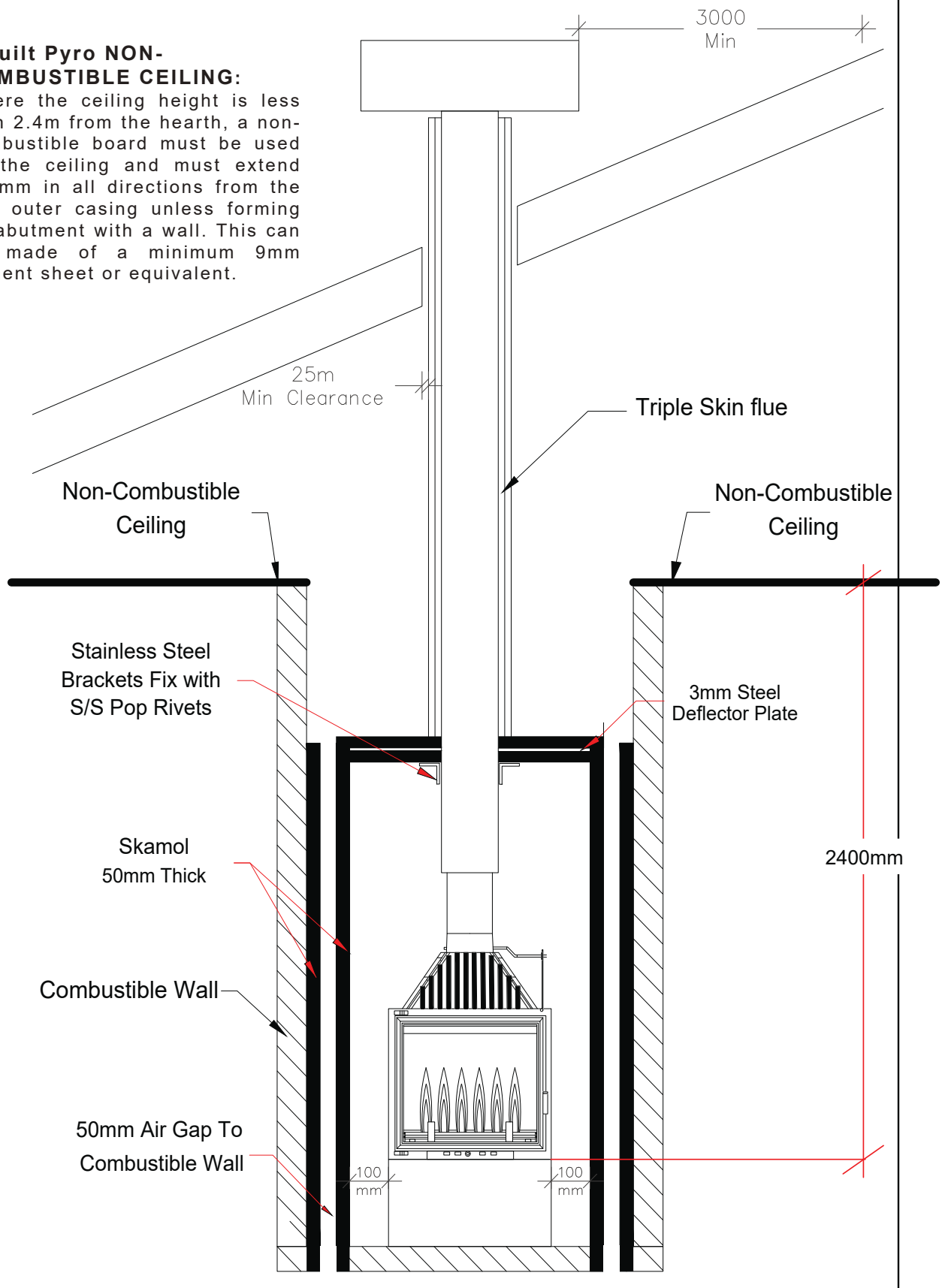
OPTION 2



PYRO CAST INBUILT

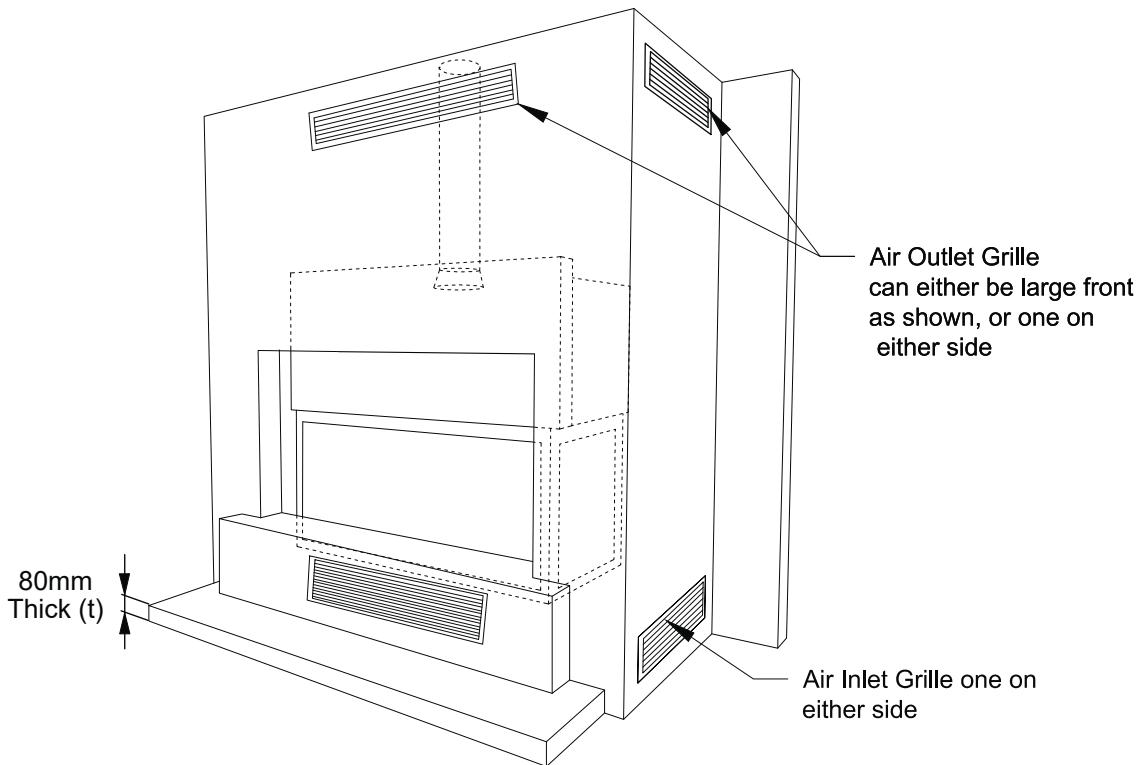
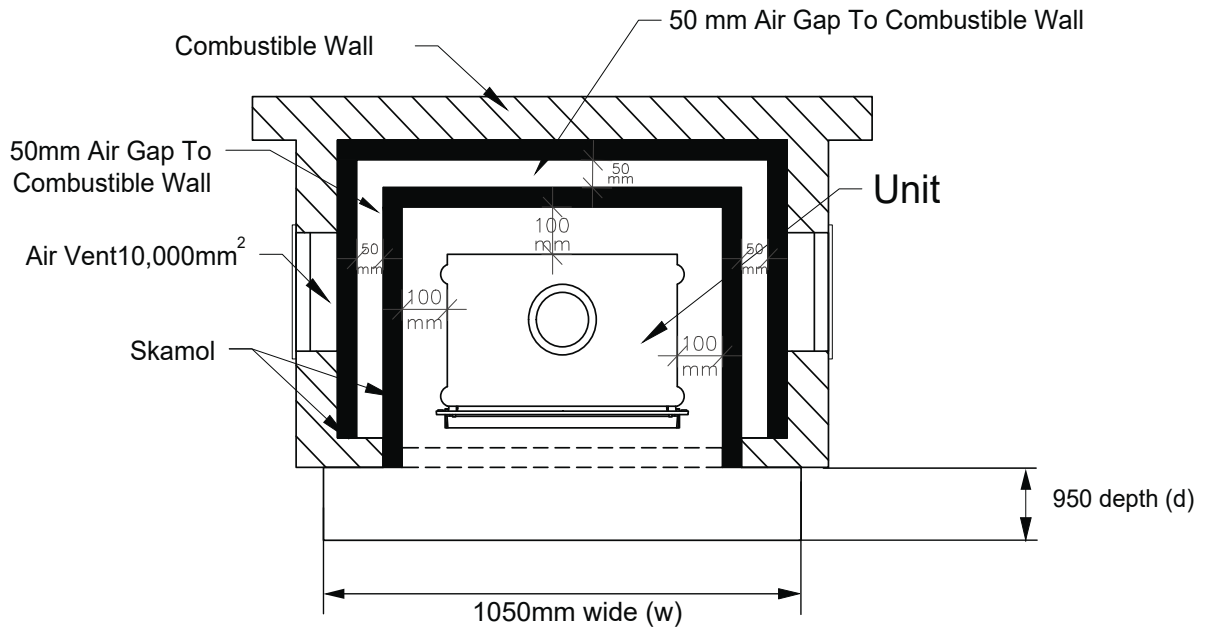
Inbuilt Pyro NON-COMBUSTIBLE CEILING:

Where the ceiling height is less than 2.4m from the hearth, a non-combustible board must be used on the ceiling and must extend 800mm in all directions from the flue outer casing unless forming an abutment with a wall. This can be made of a minimum 9mm cement sheet or equivalent.



PYRO CAST INBUILT

PLAN 2



Notes:

1. Air outlet grilles minimum air flow area required = 100cm² each side.
2. Air inlet grilles minimum air flow area = 100cm² each side and 200cm² if one grille is used.
3. Hearth height dimensions optional refer to table in page 7.
4. All dimensions in millimeters.
5. Do not scale from these diagrams.
6. Air transfer kits mandatory for exempt units to comply to AS/NZ 4012/4013:2014. Fan optional depending on duct length.

IMPORTANT: NO BRICKWORK TO BE COMMENCED UNTIL FIREBOX IS PLACED IN POSITION

PYRO CAST INBUILT

600 & 750 HEARTH CLEARANCE INFORMATION

Please refer to the table below for the reference to your hearth. The 'A' measurements references the height of the unit off the floor and the 'B' measurement references the forefront of the hearth from the glass of the heater.

A	B
160 (minimum)	950
260	850
360	750
460	650
560	550
660	450
760	350
810	300 (minimum)