

Open Gas Fire Series

Warmth, charm and convenience...



...Firefox gas open fireplaces.





A Firefox gas open fireplace will give you a stunning open fire effect – instantly.

You can choose from the classic coal effect, a very realistic log and coal mix or the sleek pebble stone effect. Each style features wispy flickering flames and brightly glowing embers.

And because the Firefox unit has a unique fan forced heat exchanger which pushes the heated air back into the room – you'll be nice and cosy too!

Designed for ease of installation, the Firefox gas open fire system is equally suitable for new constructions as well as renovations to existing fireplaces.

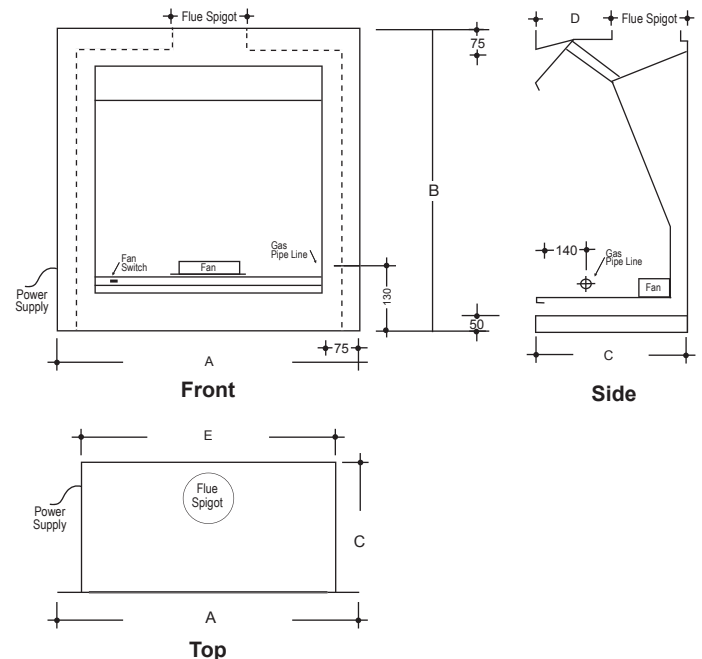
The 'ZC' (Zero Casing) version of the system allows it to be clad around in lightweight materials e.g. timber framing and plasterboard, whilst the 'ME' versions are designed for masonry or bricked enclosures.

And with a myriad of decorative surround options and treatments available, from period to contemporary to the ultra modern, there is a Firefox gas open fire style that is sure to enhance the appeal of any new or existing home.

Open Gas Fire (OGF) Series Firebox Specifications

Model	Dimensions					Flue(s) Inner/Outer
	A	B	C	D	E	
OGF 2.7 ME	720	640	370	160	620	7" < 9"
OGF 2.7 ZC	720	640	400	160	680	(178) (229)
OGF 3.0 ME	780	640	390	155	680	8" < 10"
OGF 3.0 ZC	780	640	420	155	740	(203) (254)
OGF 3.5 ME	900	640	405	155	800	9" < 11"
OGF 3.5 ZC	900	640	435	155	860	(229) (280)

Heating compacity: upto 40m² AGA certification no. 6386.



Just Brilliant!

FireFox Industries Pty. Ltd
 Factory 4/15 Stud Road
 Bayswater VIC 3153
www.firefox.com.au
 Phone (03) 9720 9055
 Fax (03) 9720 9255
 ABN 95 074 490 654