

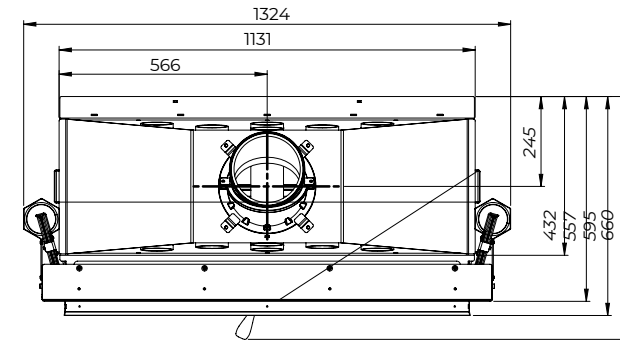
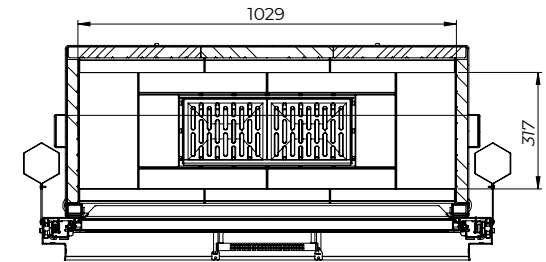
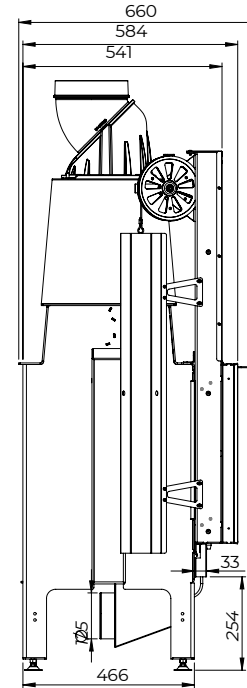
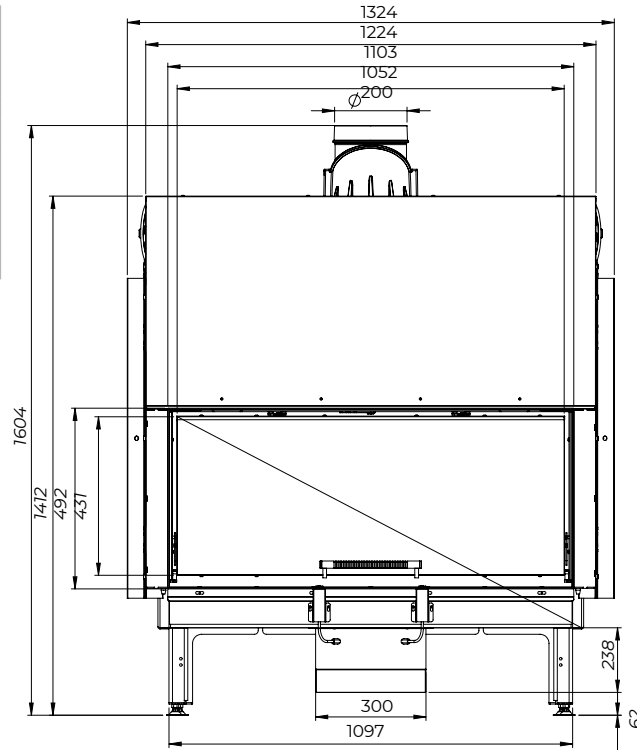
HESTIA BY

PAUL AGNEW | DESIGNS



Hestia 1200 Guillotine Tunnel

Hestia 1200 Guillotine Tunnel



Door Size (mm)	1103 x 492
Flue Diameter (mm)	200
Weight (Kg)	395



359-361 Swan St, Richmond VIC 3121 | 148-150 Cochranes Rd, Moorabbin VIC 3189

www.livingfire.com.au | info@livingfire.com.au