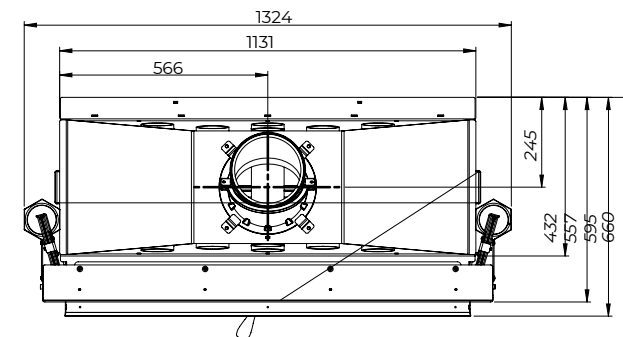
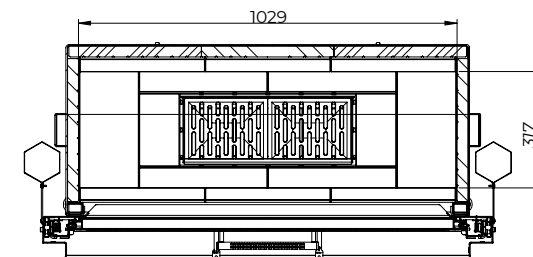
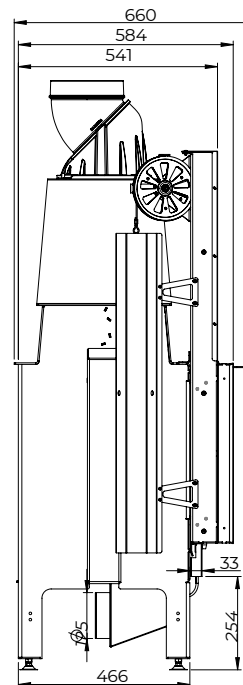
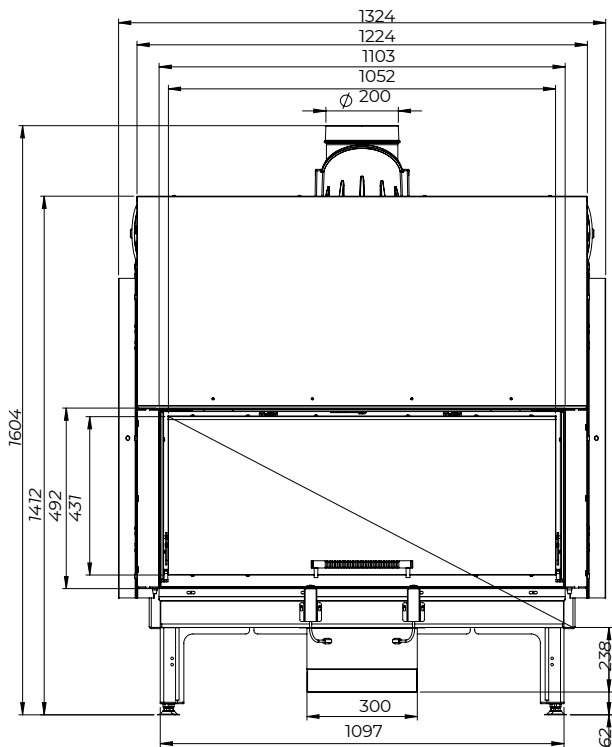




**Hestia 1200 Guillotine Glass Fronted**

# Hestia 1200 Guillotine Glass Fronted



<b>Door Size (mm)</b>	<b>1103 x 492</b>
<b>Flue Diameter (mm)</b>	<b>200</b>
<b>Weight (Kg)</b>	<b>409</b>



359-361 Swan St, Richmond VIC 3121 | 148-150 Cochranes Rd, Moorabbin VIC 3189

[www.livingfire.com.au](http://www.livingfire.com.au) | [info@livingfire.com.au](mailto:info@livingfire.com.au)