

HESTIA BY
PAUL AGNEW | DESIGNS

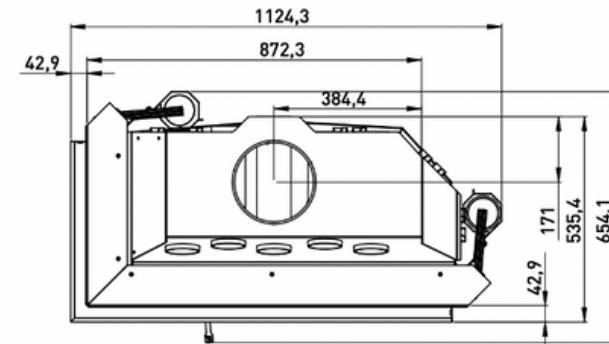
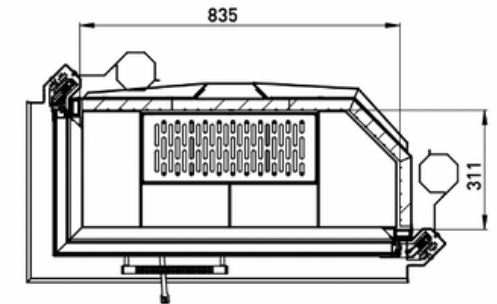
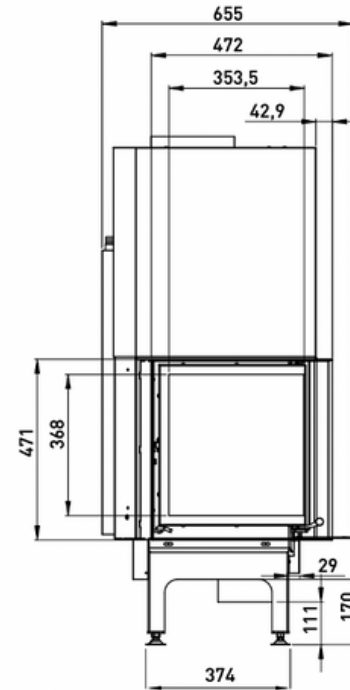
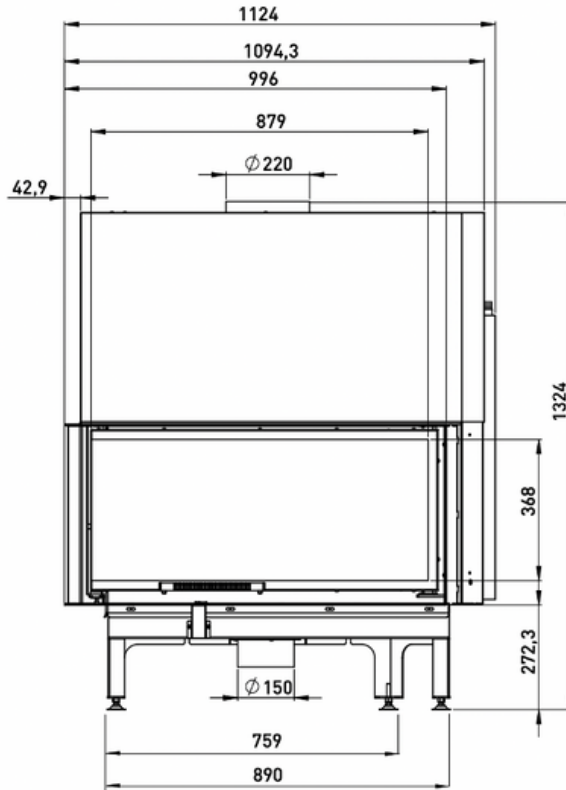


Hestia 1000 Guillotine Left

Hestia 1000 Guillotine Left



LIVING FIRE



Door Size (mm)	996 x 471
Flue Diameter (mm)	220
Weight (Kg)	275



LIVING FIRE

359-361 Swan St, Richmond VIC 3121 | 148-150 Cochranes Rd, Moorabbin VIC 3189

www.livingfire.com.au | info@livingfire.com.au