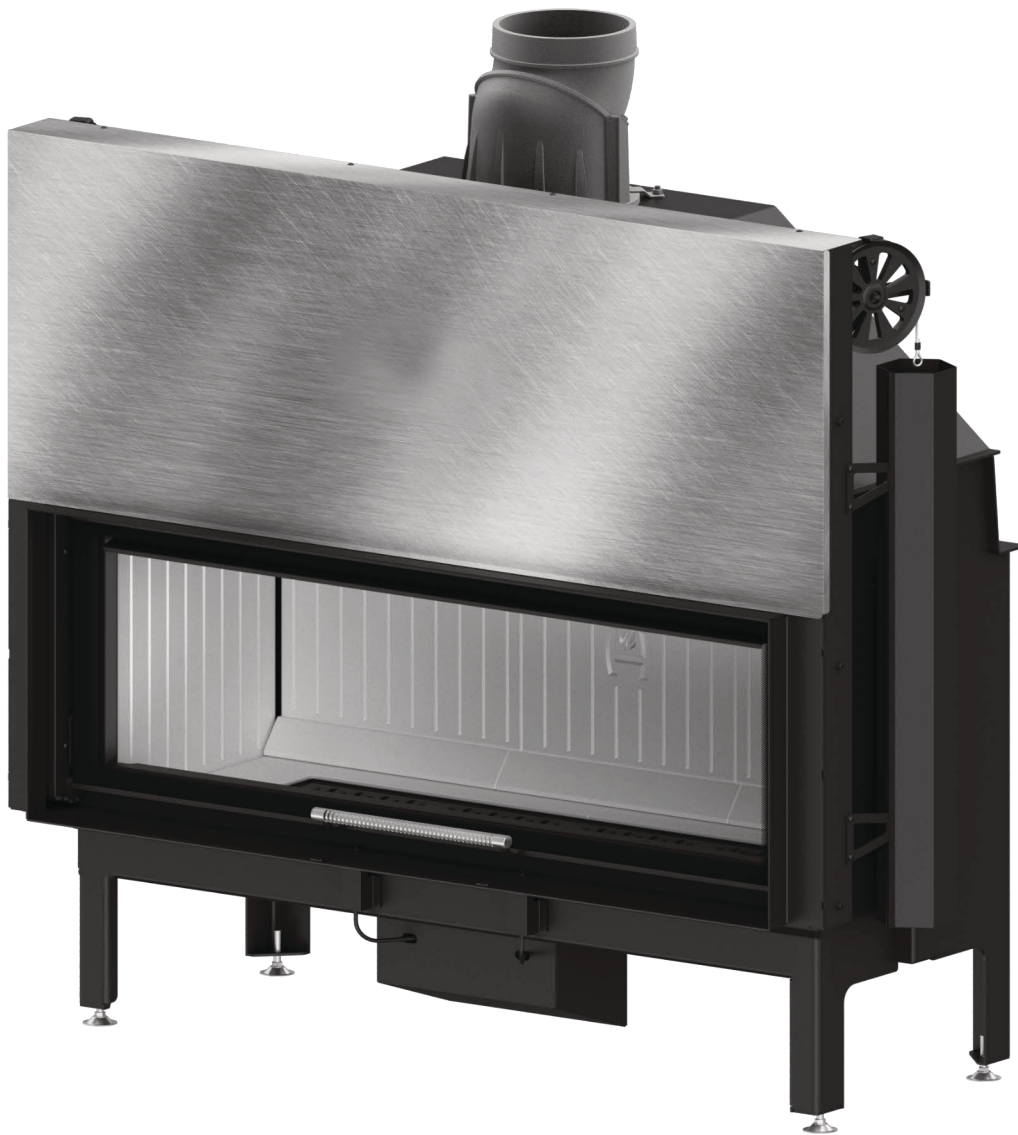


Hestia 1400 Guillotine

BASIC INSTALL SHEET



Version 2 11/11/23

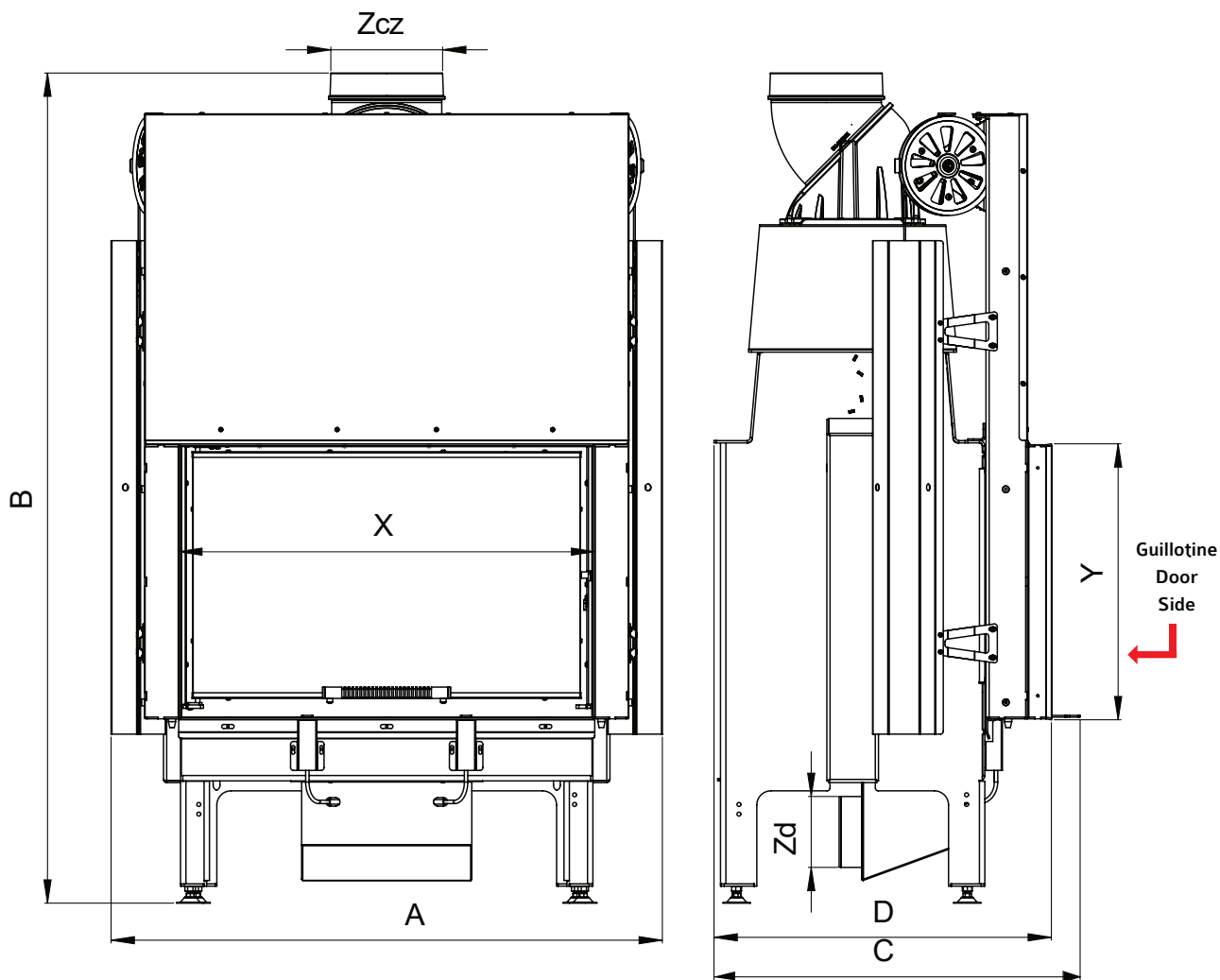
Contents of manual may be updated without notice.

For the latest version of this manual please refer
to our website: www.livingfire.com.au

PAUL AGNEW | **DESIGNS**

Hestia 1400 GUILLOTINE

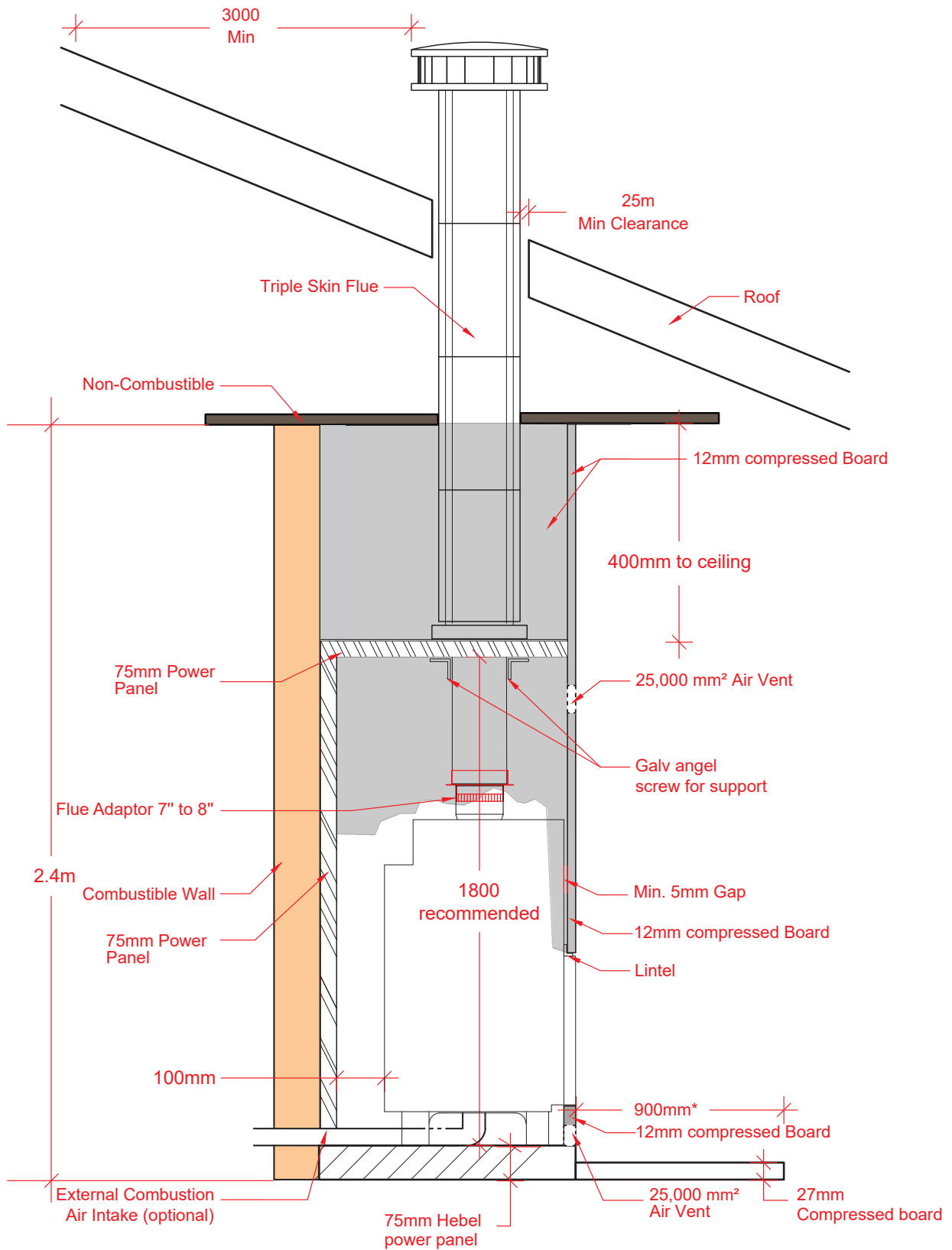
FIREBOX DIMENSIONS



Dimensions [mm]	HESTIA 1400 Guillotine Glass Fronted
A	1474
B	1604
C	662
D	595
X	1254
Y	492
Zcz	200
Zd	125

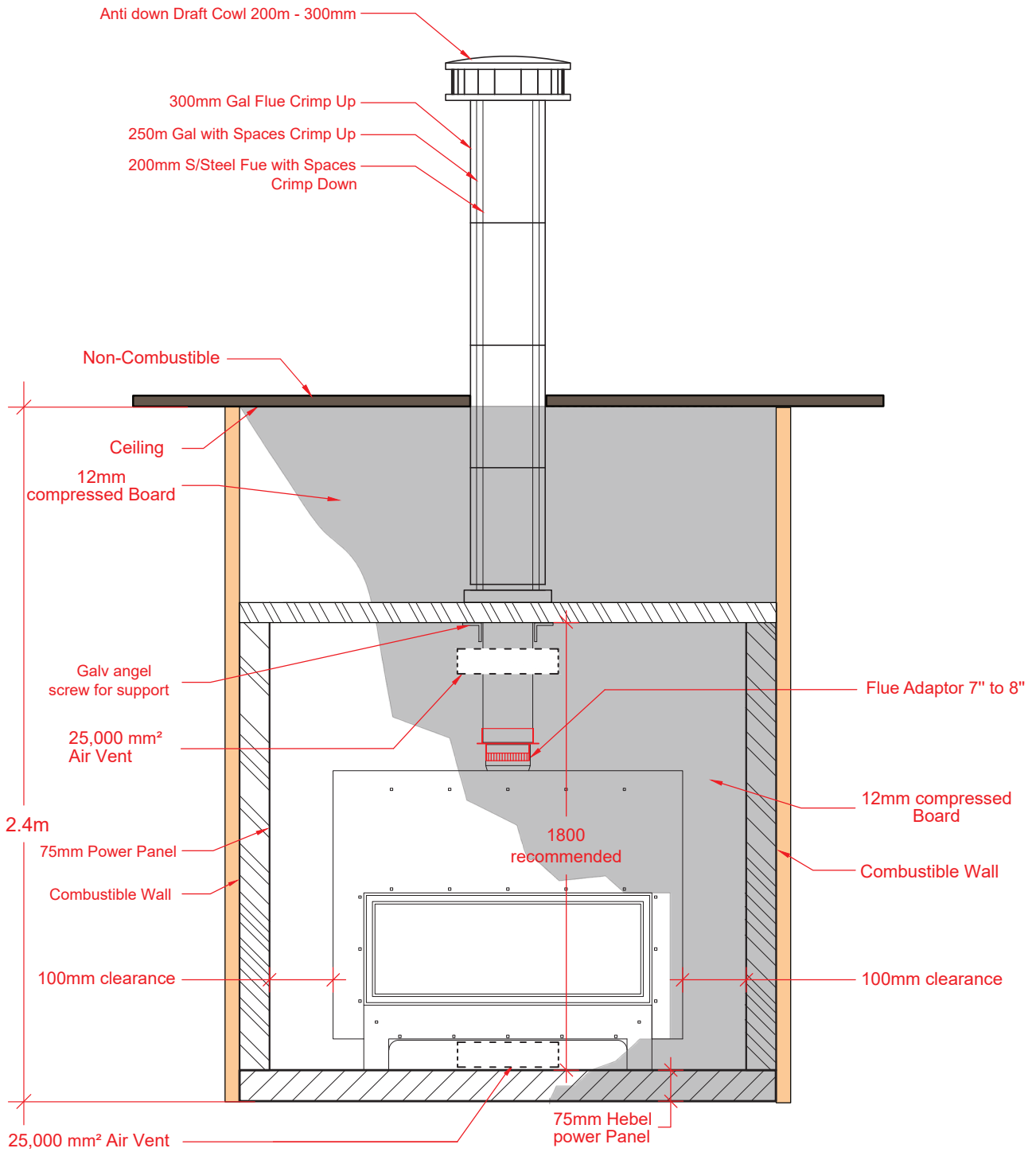
Hestia 1400 GUILLOTINE

HEBEL ENCLOSURE



Hestia 1400 GUILLOTINE

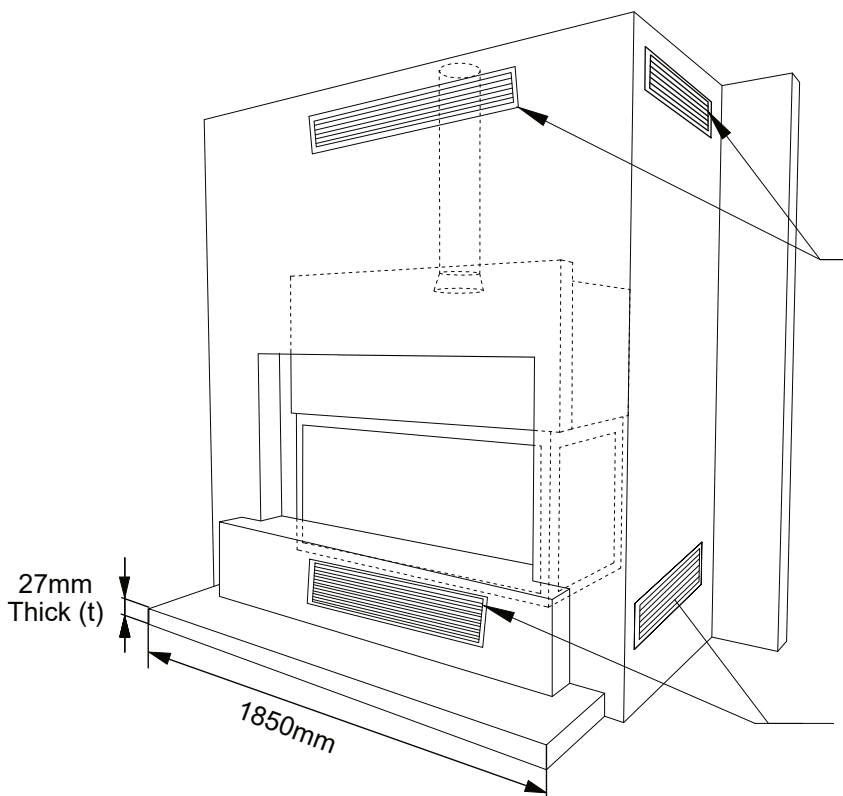
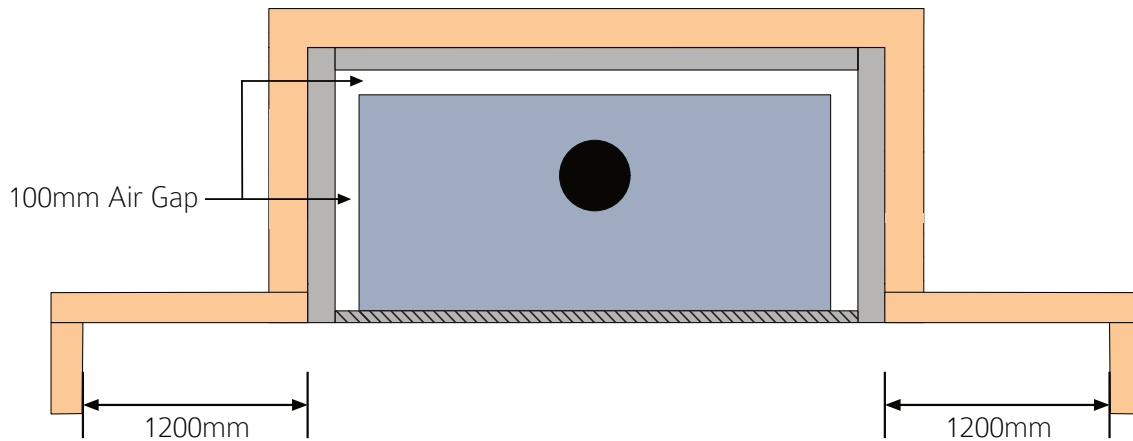
HEBEL ENCLOSURE



Hestia 1400 GUILLOTINE

Clearance Diagram

75mm Hebel Power Panel
 Combustible wall
 Compressed Board



A minimum surface area of 375cm² is required for air outlet at the front of the cavity (directly below the internal deflector plate) on both sides. Optional side outlet grilles may be used for better heat dispersion however needs a 1200mm clearance from any combustibile side structure

Air inlet Grille
A minimum surface area of 375cm² is required for air intake on either side of the bottom of the cavity underneath the unit, in line with the base of the fireplace. The air intake grille may alternatively be placed on each side of the cavity as well

Notes:

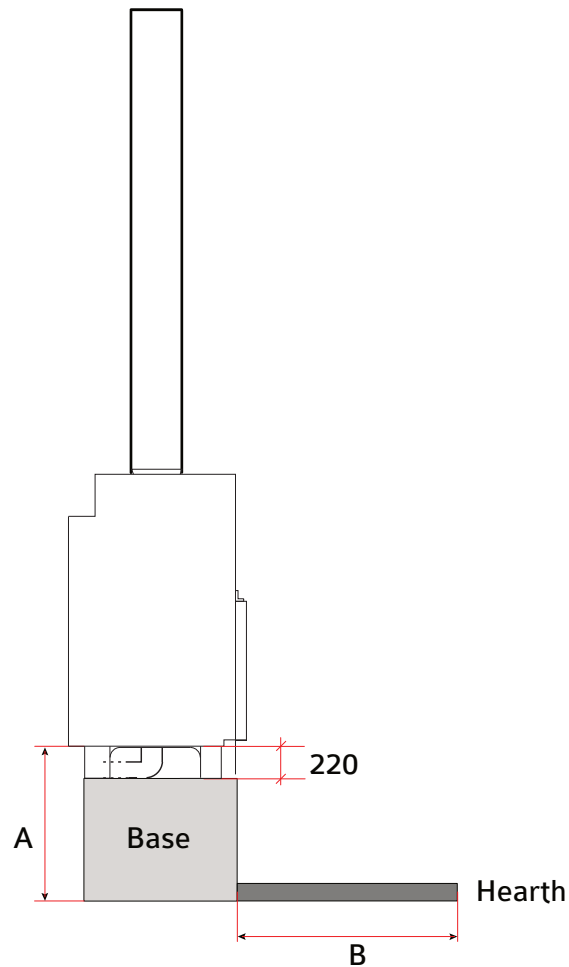
1. Air outlet grilles minimum air flow area required = 250cm².
2. Air inlet grilles minimum air flow area = 250cm².
3. All dimensions in millimeters.
4. Do not scale from these diagrams.
5. Air transfer kits mandatory for exempt units to comply to AS/NZ 4012/4013:2014. Fan optional depending on duct length.

IMPORTANT: NO BRICKWORK TO BE COMMENCED UNTIL FIREBOX IS PLACED IN POSITION

Hestia 1400 GUILLOTINE

Hearth Clearance information

Please refer to the table below for the reference to your hearth. The 'A' measurements references the height of the unit off the floor and the 'B' measurement references the forefront of the hearth from the glass of the heater.



A	B
295 (minimum)	900
400	859
500	800
600	730
700	640
800	500
900	300 (minimum)