

ATOMO SUSPENDED FIREPLACE

INSTALLATION & USER MANUAL



CONTENTS

1. TESTING Page 3

2. FLUE SYSTEM Page 4

3. TECHNICAL DATA Page 5-6

4. SPEC DRAWINGS Page 6-9

5. FIREBOX BEARING INSTALLATION Page 10-12

Need to Contact Us?

BAYSIDE

19 Cochranes Road
Moorabbin
03 9482 3207

CLIFTON HILL

400 Hoddle Street
Clifton Hill
03 9482 6400

GEELONG

22 Corio Quay Road
Geelong North
03 5838 6898

1.

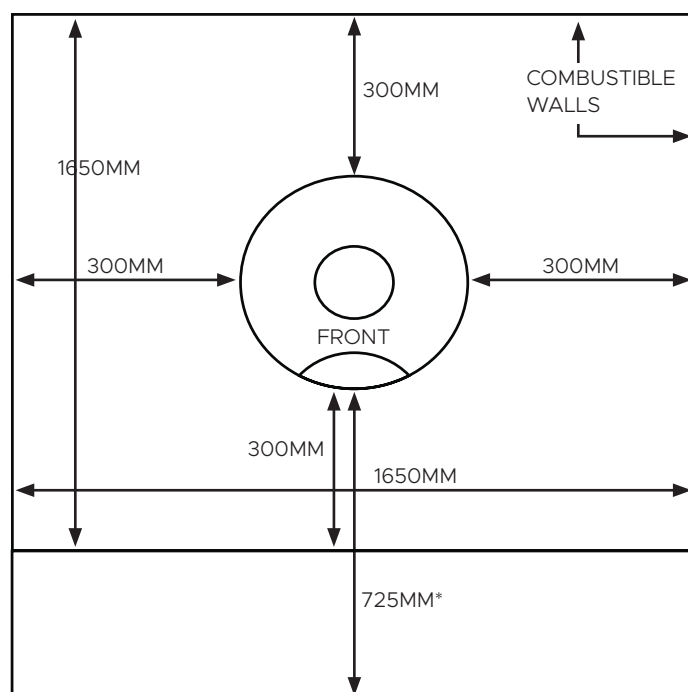
TESTING

THERMAL CLEARANCE OF ATOMO SUSPENDED FIREPLACE

The base of the appliance must be no closer than 250mm from the floor protector. A minimum 1650mm deep x 1650mm wide x 36mm thick floor protector (compressed board) should be used under and in front of the appliance base when installing the appliance (see joint AS/NZS 2918:2018 3.3.2). The floor protector should extend 300mm in front of the appliance door and be placed centrally in the 1650mm width. The Thermal resistivity of the floor protector is 0.16m².K/W for 36mm thick compressed board sheets.

The Atomo suspended fireplace installed with Appliance-Flue combination conforms to the requirements of the joint AS/NZS 2918:2018 Standard, Appendix B.

The appliance and flue system were tested at the following clearances:

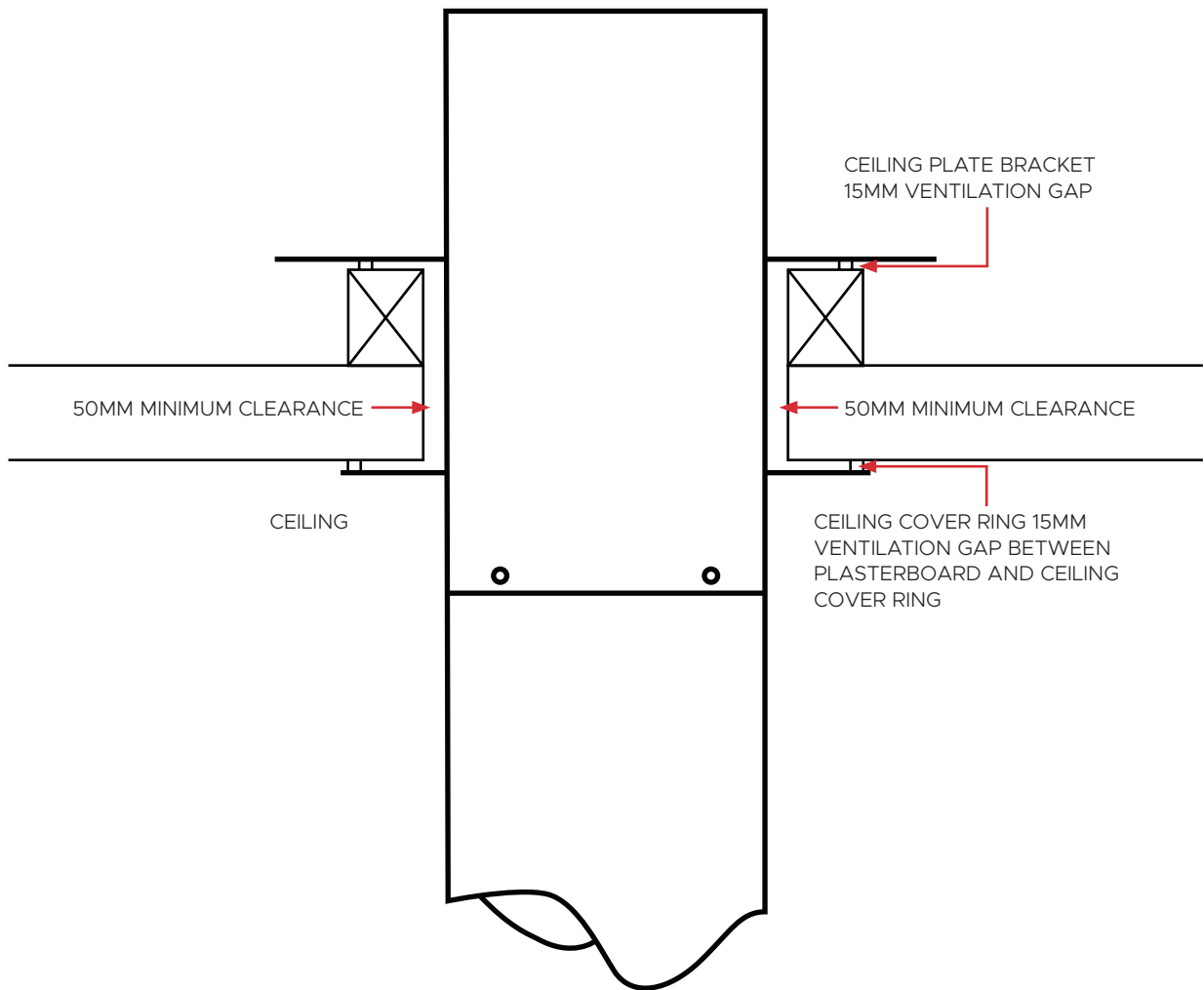


*The appliance can spin 360 degrees on its spigot. Therefore, when the front of appliance faces a combustable wall, the minimum 725mm clearance to combustable surfaces must be maintained.

2.

FLUE SYSTEM

The flue system used during testing was a Appliance-Flue combination was supplied by Schots Home Emporium. The ceiling ring/plate must be fitted with **15mm spacers** to maintain an air gap between the ceiling ring/plate and ceiling, a 50mm gap must be maintained around the flue to any combustible material in the ceiling penetration.



3.1

TECHNICAL DATA

Appliance Model Name:	Atomo Suspended Fireplace	
Manufacturer:	Schots Home Emporium	
Overall Diameter Width:	1050mm	
Internal Firebox Height:	220mm	
Height Diameter:	476mm	
Usable Firebox Volume:	39.15 Litres	
Firebox Material Type/Seam Fully Welded:	Fully seam welded 4mm steel	
Firebrick Type:	N/A	
Main Firebox Opening Height:	220mm	
Main Firebox Opening Width:	915mm	
Primary Air Location:	Main firebox opening	
Baffle Plate Size:	No baffle	
Damper:	Yes	
Flue Dimensions:	203mm	
Spigot Dimensions:	OD: 216mm	ID: 206mm
Spigot to Rear of Appliance:	425mm	
Grate:	Yes, Log holder with an internal diameter of 476mm incorporating a grate	
Nominal Heat Output:	10kW	

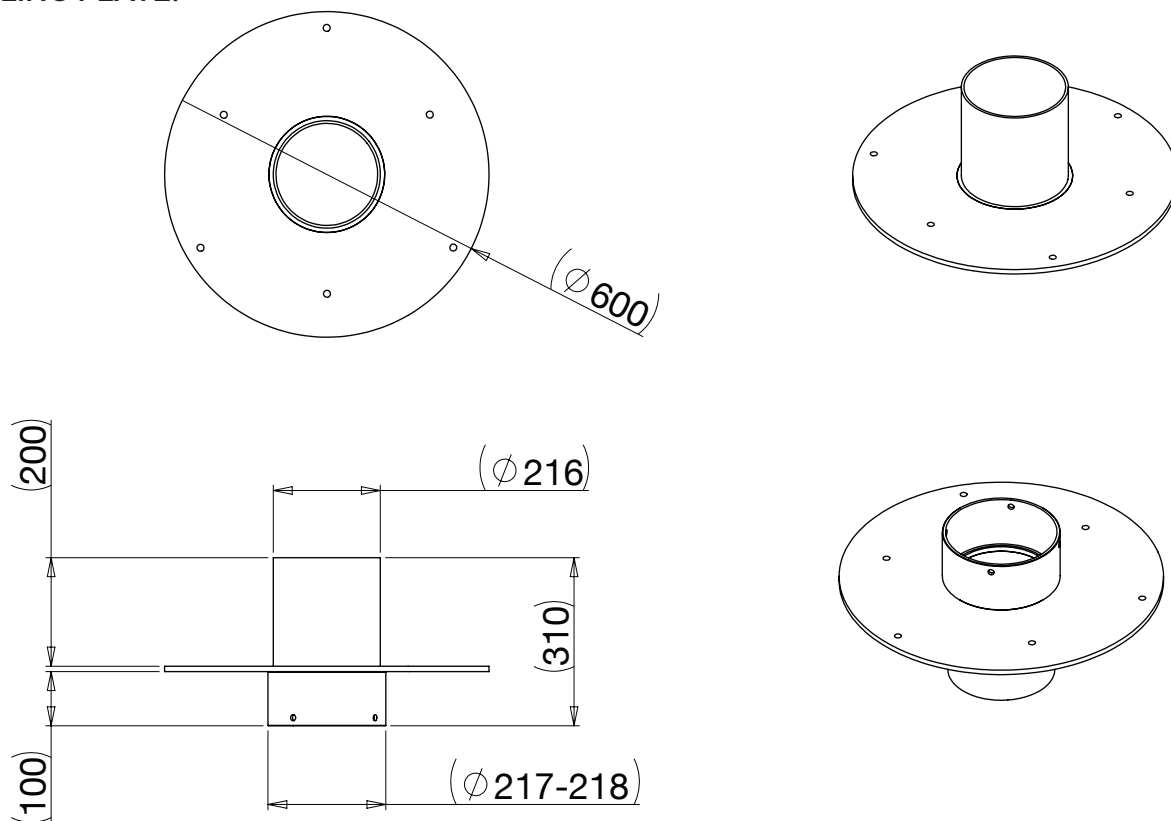
3.2

TECHNICAL DATA

ATOMO SUSPENDED FIREPLACE PRODUCT WEIGHT

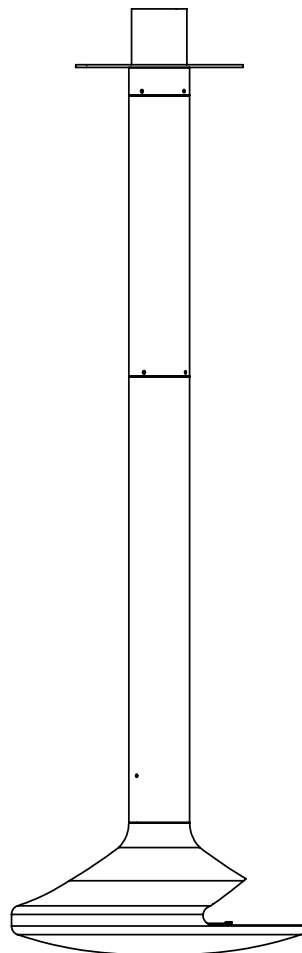
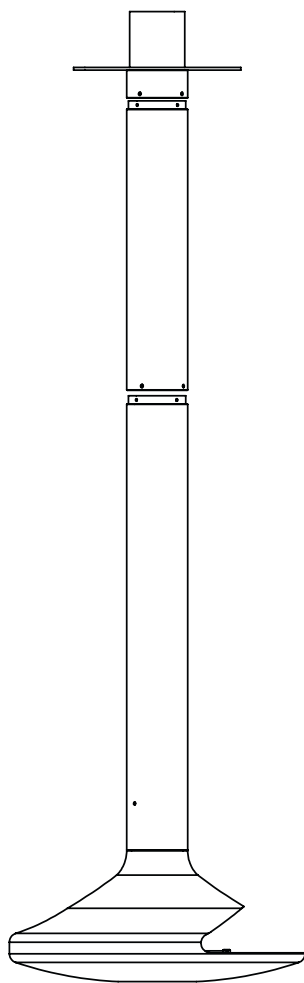
PART NAME	NET WEIGHT/KG
Body	66
Grate	21.5
Ceiling Plate	28
1.6m Flue	38-50
1.2m Flue	28-38

CEILING PLATE:



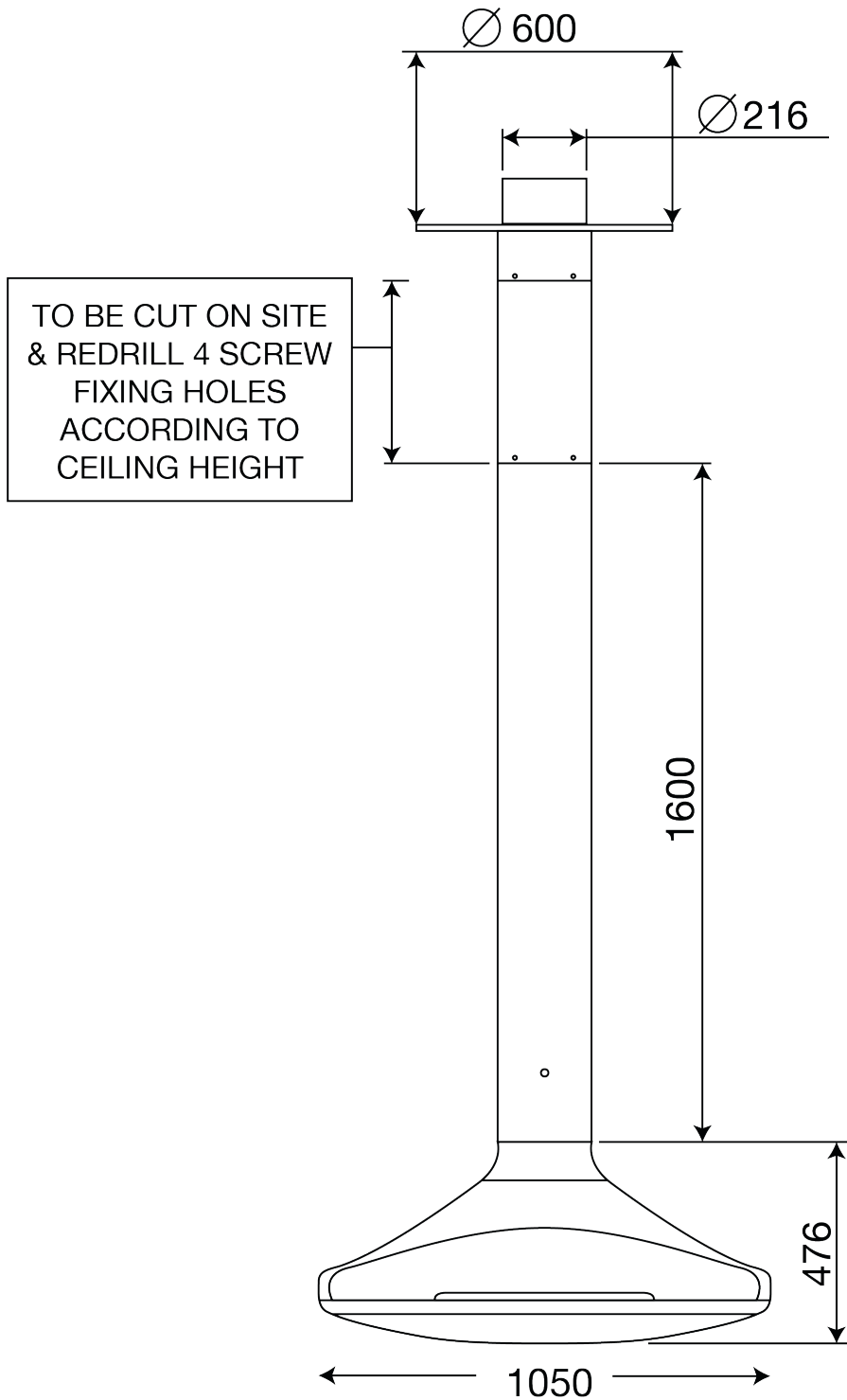
4.1

SPEC DRAWINGS



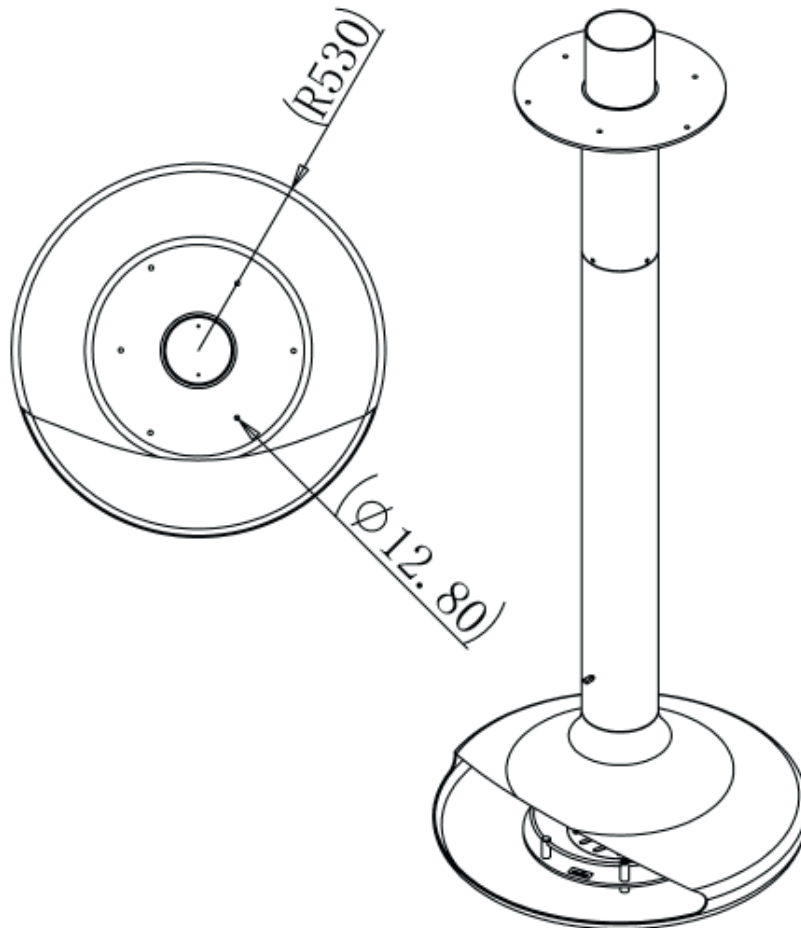
4.2

SPEC DRAWINGS



4.3

SPEC DRAWINGS



* PLEASE NOTE: Varies dependent on internal ceiling height

5.1

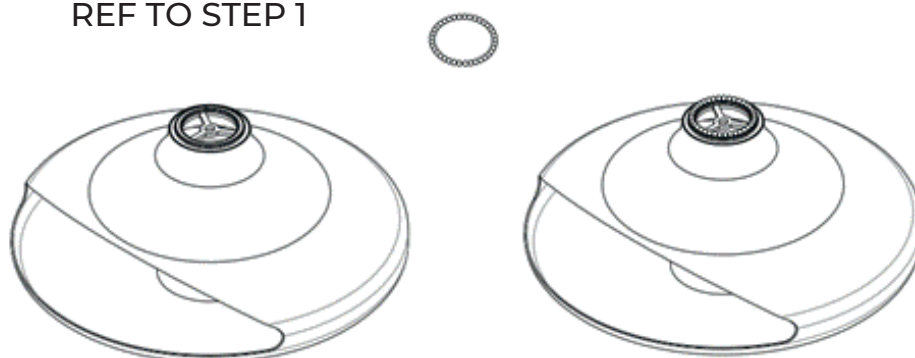
FIREBOX BEARING INSTALLATION

Assembly

01

STEP 1

- CAREFULLY PLACE BEARING STEEL BALLS IN BEARING RING ON SPIGOT, PLEASE ADD GREASE TO POSITION BALLS. GREASE COULD BE FOUND IN PACKING - REF TO STEP 1

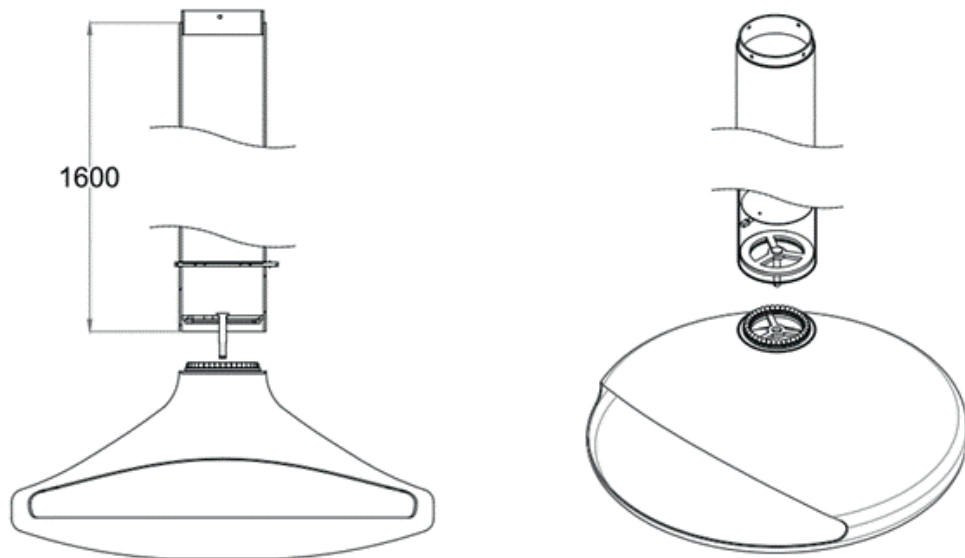


5.2

02

STEP 2

- PLACE THE 1.6M FLUE ON SPIGOT CAREFULLY TO MAKE SURE BEARING BALL WILL NOT ESCAPE
- REF TO STEP 2



5.3

03

STEP 3

- FIX ALL NUT AND WASHER ON THE EXTRUDING SCREW BAR, SLIGHTLY LOOSING MIGHT BE NEEDED IF YOU HEAR SOME UNACCEPTABLE NOISE WHEN YOU ROTATE FIREBOX OR FLUE. PLEASE NOTICE SMALL BEARING RING IS ON TOP, WASHER IS IN THE MIDDLE, AND TWO NUTS IS ON THE BOTTOM. - REF TO STEP 3 - THEN TIGHTEN NUT

