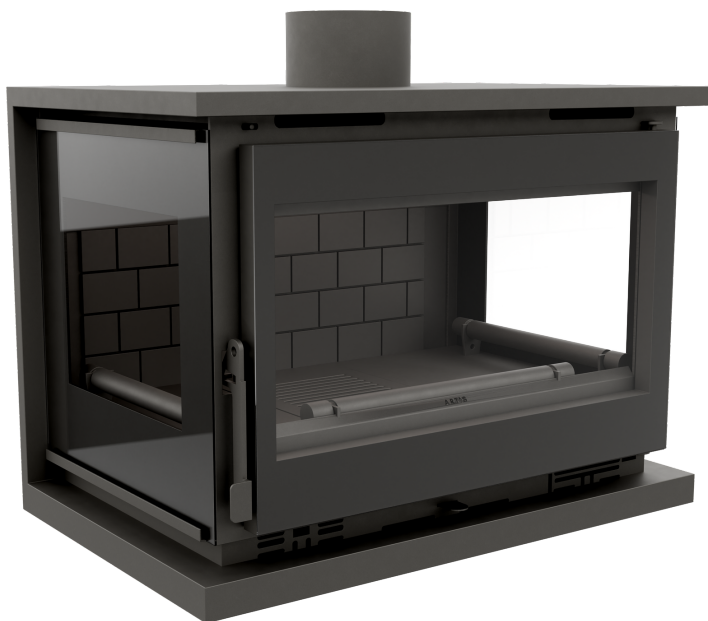


ARTS™

INSTALLATION MANUAL



M-173 FK | M-183 FK

CONTENTS

1 SPECIFICATIONS

- 1.1** DIMENSIONS
- 1.2** COMPONENTS
- 1.3** HEARTH & CLEARANCE REQUIREMENTS

2 INSTALL INSTRUCTIONS

- 2.1** FREESTANDING
- 2.2** WALL MOUNTED
- 2.3** CHECKLIST

3 WARRANTY

4 FINAL WORDS

CONGRATULATIONS

Thank you for choosing an Artis fireplace for your living space.

Your fireplace is the result of careful design and quality manufactured from Spain. If properly installed, used and maintained, you will be sure to have an outstanding feature for years to come.

It is required that this fireplace be installed by a qualified and licensed trades professional. You will find in this guide, the answers to most of your questions, should you require further assistance please contact your retailer.

Please read carefully through this manual to ensure you are familiar with correct installation, use and maintenance.

To keep up to date with tips, tricks and products, follow us on social media:

Instagram: @ArtisFireplaces

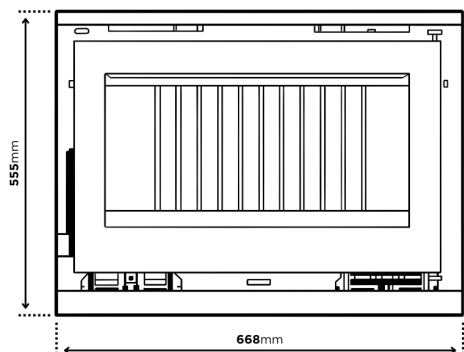
Facebook: @ArtisFireplaces

Thank you for choosing Artis Fireplaces, and we hope it brings you countless moments of warmth and joy in your home.

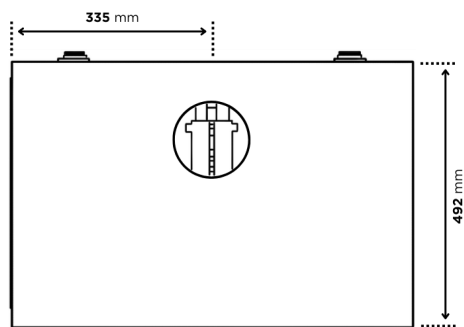
From all of us,

ARTIS[™]

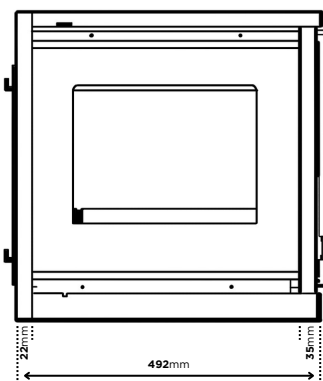
FRONT



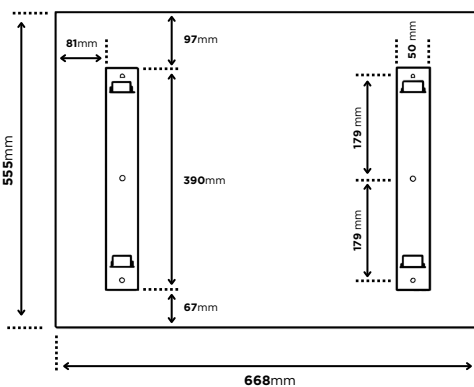
TOP



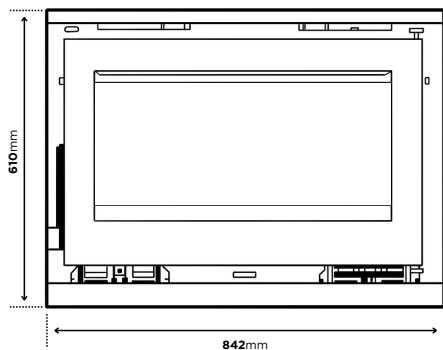
SIDE



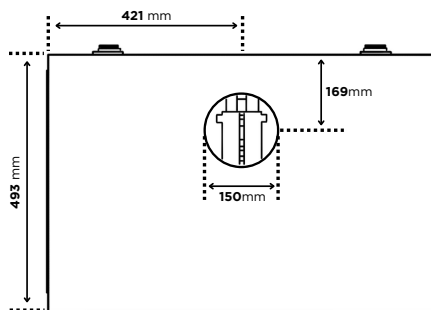
BACK



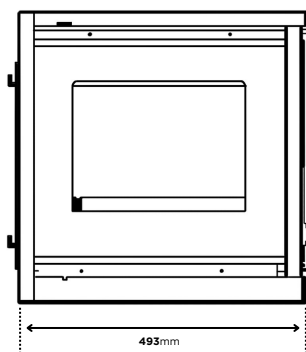
FRONT



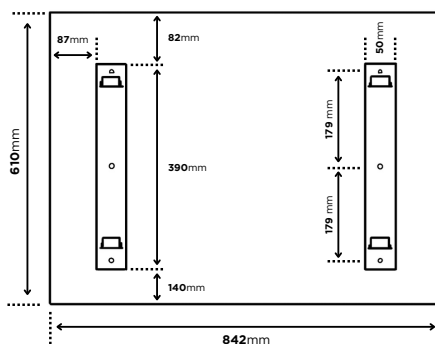
TOP



SIDE

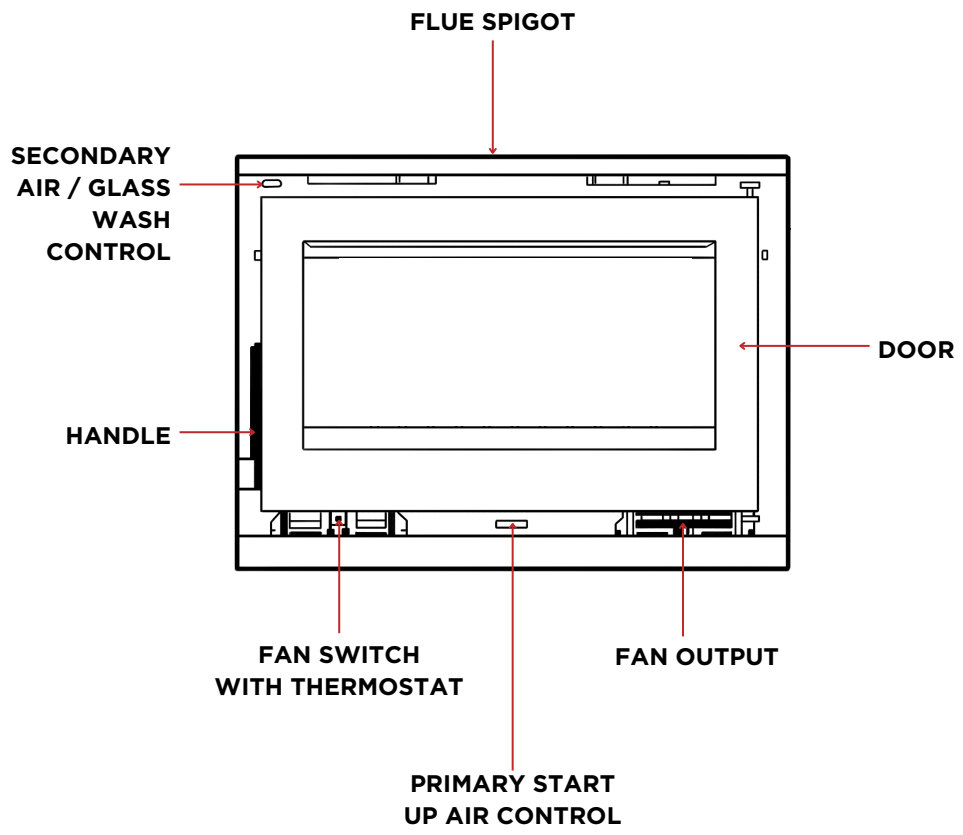


BACK



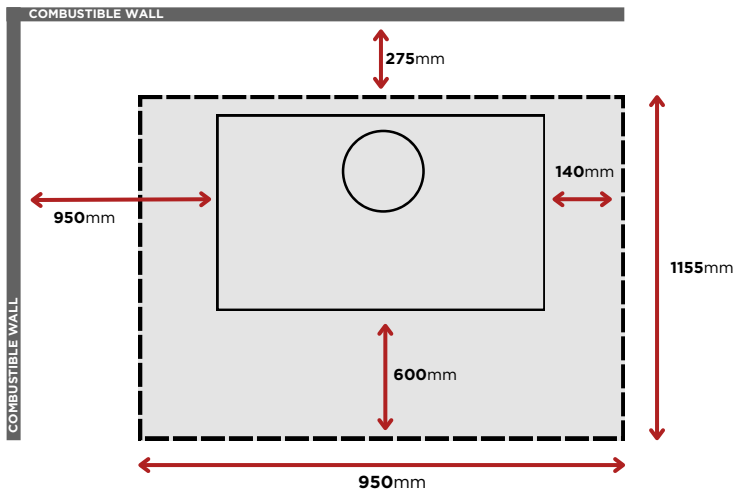
COMPONENTS

M-173 FK | M-183 FK



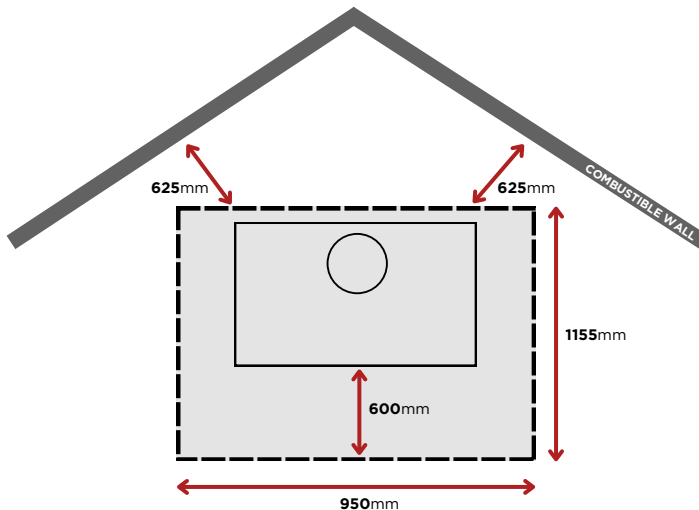


STRAIGHT WALL APPLICATION



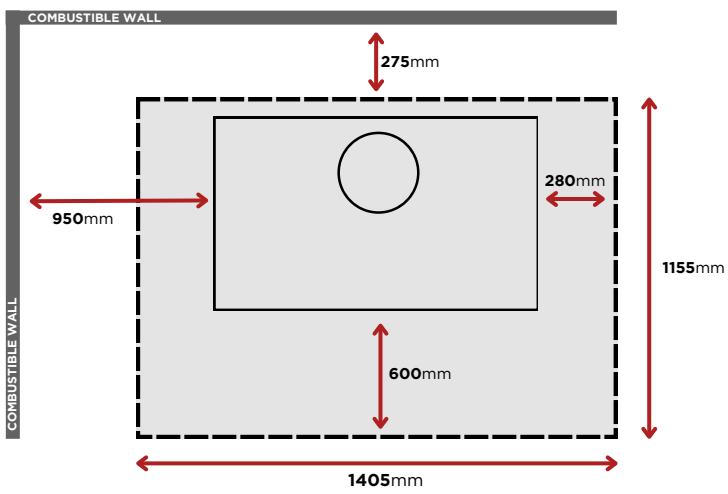
The rear wall clearance for Straight Wall Applications, can be reduced to 100mm when installed with 12mm compressed board 1280mm wide x 555mm high, raised 200mm above the floor as a wall protector, and an appliance rear heat shield 675mm wide x 555mm high x 1.2mm galvanised steel with a 20mm air gap fitted directly behind the appliance level, with the top plate and an additional 180° stainless steel rear flue shield fitted between the solid casing and the active flue from the top of the appliance to the drop box. The clearance of 100mm is measured from the appliance rear heat shield to the 12mm compressed board.

CORNER APPLICATION



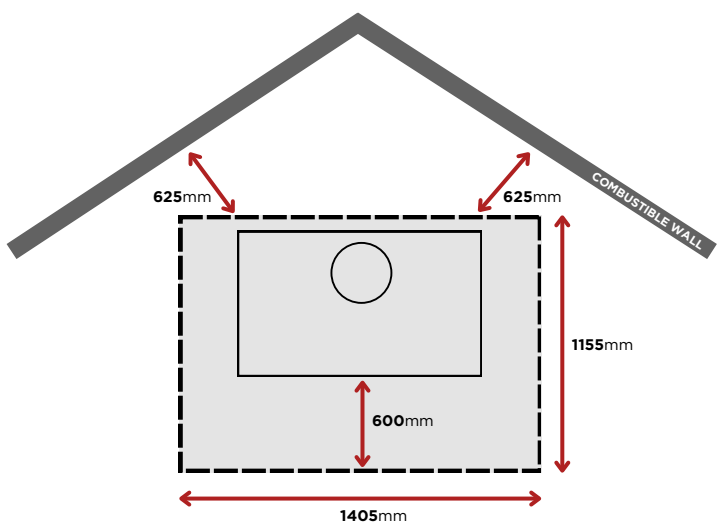
*Measurements shown above are the minimum clearances to a combustable surface / material and hearth requirements

STRAIGHT WALL APPLICATION



The rear wall clearance for Straight Wall Applications, can be reduced to 100mm when installed with 12mm compressed board 1280mm wide x 555mm high, raised 200mm above the floor as a wall protector, and an appliance rear heat shield 675mm wide x 555mm high x 1.2mm galvanised steel with a 20mm air gap fitted directly behind the appliance level, with the top plate and an additional 180° stainless steel rear flue shield fitted between the solid casing and the active flue from the top of the appliance to the drop box. The clearance of 100mm is measured from the appliance rear heat shield to the 12mm compressed board.

CORNER APPLICATION



*Measurements shown above are the minimum clearances to a combustible surface / material and hearth requirements

All units MUST be installed to Australian & New Zealand Standard AS/NZS 2918:2018. When in use some parts may become hot. A suitable fire guard is recommended where young, elderly or infirm are concerned.

For the installation and use of this appliance, the technician and the user should strictly adhere to local and national regulations as well as AS/NZS 2918:2018. They should also comply with the instructions and recommendations detailed in this manual. The safety and operation of the fireplace is directly dependent there on. The liability of the manufacturer can neither be retained nor assured following failure of installation or incorrect use which does not comply local and national regulations as well as AS/NZS 2918:2018.

As each installation is a particular case, a qualified and licensed trades professional should take all required preliminary precautions depending on the technical elements inherent to each job. All appliances must be installed in a fixed position, within a well ventilated space, ensuring to maintain minimum safety clearance distances.

In-observance of the assembly instructions in conjunction with AS/NZS 2918:2018 entails the liability of the person who carries it out; whom must carry relevant and current licenses to do so.

As a result of faulty assembly, irrational use of parts or additional components that were not supplied by the manufacturer/distributor, and/or modifying of the appliance or components will result in inferior or unsafe operation. Should this occur the manufacturer/distributor bears no liability, and will result in a null and void product warranty.

This instruction manual must be left with the appliance owner, who should retain for future use.

For reasons of quality control, some of our appliances are delivered assembled. Parts including gather, firebricks, grill and baffle plate may need to be installed on site.

EXPOSURE TO ELEMENTS

FM Calefaccion fireplaces are exclusively designed as an indoor fireplace appliance. Should any part of the appliance be in contact with the outside elements including rain, snow, direct sunlight, excessive winds, etc; the damage sustained thereon will not be covered under the manufacturer or distributor warranty. Please consider prior to installing your fireplace exposed to outside elements.

ACCEPTABLE VARIANCE ALLOWANCE

Due to the production of these manufactured appliances, there is an acceptable allowance of 1-5mm variance on any part of the unit. This variance in production is non-claimable under any warranties.

HEAT RESISTANT MATERIALS

Heat resistant materials must meet AS/NZS 2918:2018 clause 1.4.27 a material with an allowable service temperature of 600° Celsius or greater. Gyprock Fyrecheck is NOT a recommended heat resistant material. It is strictly forbidden to use any combustible materials (ie: wooden framing, plaster, etc.) near or around this appliance. Any exception from this rule is a health and safety hazard which will result in a non-compliant installation and a void of warranties. Electrical cables and components must not be placed in the vicinity of the appliance, as it is a fire hazard.

IMPORTANT UNIT PRE-CHECK

Prior to unpacking and installation check that the appliance and all its components has not been damaged during transport. Ensure to check the glass, the door(s), the damper operation and the door locking mechanism.

It is the users duty to make themselves aware of and apply all national or more restrictive local standards and national regulations (AS/NZS 2918:2018).

It is strongly recommended that the licensed trade professional who is performing the installation of this appliance, completely read and understand all instructions in this manual prior to proceeding.

Artis Fireplaces Pty Ltd & FM Calefaccion reserves the right to change these specifications without prior notice. The order of the steps indicated within this and any manuals provided by Artis Fireplaces Pty Ltd, are a recommendation only.

1**HEARTH**

Lay a solid non-combustible floor protector / hearth, minimum 18mm thick. The hearth should be laid on an adequate ground supporting its weight. Ensure the base is level. See page 7 & 8 for required dimensions.

2**POSITIONING**

Place the unit into a fixed position on top of the solid non-combustible floor protector / hearth. Ensure to maintain required safety clearances to combustible materials (see pages 7 & 8).

3**FLUE - FIRST LENGTH**

Place the first single skin length of flue (with no crimp ends) around the outside of the spigot. You may also use a heat resistance sealant (i.e. Firecork) to seal any air gaps.

4**FLUE - PENETRATION**

Cut the required penetration hole in the desired position, in line with the flue spigot placement below.

5**FLUE - INSTALLATION**

Continue with triple skin flue into the roof cavity and extended above the roof line as per AS/NZ 2918:2018. A minimum of 4.6m total flue is required from the hearth / floor protection, to the cowl.

There must be a minimum of 50mm clearance around the outer triple skin flue to combustible materials.

The flue must extend a minimum of 1m above the roof line and have a 3m diameter clearance from the top of the cowl to any objects in a horizontal direction. The flue must maintain a distance of 6 metres from any neighbouring property (refer AS/NZS 2918:2018 Section 4 Flue System Installation)

IMPORTANT

Please note the flue should not include more than two 45° bends. The angle of these bends cannot exceed more than 45° and can have no more than one length of 900mm flue between them.

6**FLUE - BRACING**

Fix the flue in place and attach cowl. If the area is high wind, ensure to fix the flue above the roof line with heavy duty bracing/ supports.

7**FLUE - SEALING**

Seal the flue penetration.

Above the roof: seal with dektite / versatile

Below the roof: cover the ceiling with a ceiling ring.

All installation steps have been read, understood and followed. Installation has been completed as per local regulations and industry standard AS/NZS 2918:2018

All components are present (refer to page 4)

All moveable components (ie- door, flue damper control & air slides) are operational and move freely without obstruction

No combustible materials left inside any section of unit, or within combustible clearance area (refer to page 5)

Smoke test has been performed and passed

Operational Instructions / user guide has been given to customer and explained

Installed By:

.....

Date:

.....

Unit Model:

.....

Serial Number:

.....

**Compliance
Certificate:**

.....

WARRANTY

INCLUSIONS & EXCLUSIONS

ITEM	DURATION
Fireplace Firebox	5 year Repair or Replacement only on Firebox
Ash Pan Door Handles Fire Grates	1 Year Replacement

*Effective from date of purchase

WARRANTY CLAIM REQUIREMENTS

- Proof Of Purchase
- Serial Number
- Photos / Videos Of Fault
- Compliance Certificate
- Installation Details (Date & Installer)

EXCLUSIONS:

- Consumable Components (Glass, Baffle Plate, Thermometer, Ropes, Gaskets, Door Seal, Moveable Parts, Ash Pan etc.)
- Cost of Removal / Installation of defective appliance
- Incorrect use (i.e. Overfiring, Improper Materials)
- Incorrect Installation (i.e. Non-Compliant application, non-professional) - as per instructions, industry standard Australian & New Zealand Standards AS/NZS 2918:2018, AS/ NZS 4012/4013(2014) and all applicable local installation regulations
- Rust / Corrosion damage caused by environmental factors
- Faults due to improper / irregular maintenance
- Modifications made to any part of the appliance which is not provided by the manufacturer or supplier.
- Indirect damages (i.e. handling accident)
- Resold units

This manual is at times updated, to view the latest version please refer to the Support section of the Artis Fireplaces website (artisfireplaces.com.au).

All dimensions shown are approximate. Check all dimensions accurately prior to installation.

All images and diagrams in this manual are for installation reference purposes only and are not to scale or precise. Check all dimensions prior to installation.

In line with our policy of continuous improvement, we reserve the right to alter this manual and anything described within it without notice. The distributor and manufacturer bears no accuracy of these images and accepts no liability. The purpose of these images and diagrams is to act as a guide in conjunction with the written components and are NOT to instruct independently.

Whilst every effort is taken to avoid errors, Artis Fireplaces Pty Ltd and the manufacturer cannot accept responsibility for the accuracy of any statement, extract or information contained within this manual nor can any of its contributors who have submitted material for inclusion. E&OE



ARTISTM

artisfireplaces.com.au

info@artisfireplaces.com.au
1300 851 304

04.24