



ARTS

BARBEQUES



**ARTIS IS PROUD TO BE THE IMPORTER
OF AN EXCITING RANGE OF SPANISH
BARBECUE AND FIREPLACE PRODUCTS
EXCLUSIVELY FOR AUSTRALIA AND
NEW ZEALAND.**

IMMERSE YOURSELF IN THE RICH
TRADITIONS AND FLAVORS OF SPAIN
AS YOU EXPLORE OUR COLLECTION,
DESIGNED TO ELEVATE YOUR OUTDOOR
LIVING AND COOKING EXPERIENCE TO
NEW HEIGHTS.

**PREPARE TO EMBARK ON A CULINARY
JOURNEY LIKE NO OTHER**

FUSION

BARBEQUE + OVEN



FUSION 140



STAINLESS STEEL GRILL WITH 4
ADJUSTABLE COOKING HEIGHTS



WOODFIRE OVEN



DOUBLE COMBUSTION OVEN
CHAMBER



Ø 300MM INTERNAL FLUE



WOOD & CHARCOAL FUEL

APPROXIMATE COOKING AREAS

GRILL 620 W x 550 D

OVEN 480 W x 390 D x 220 H

FUSION 160



STAINLESS STEEL GRILL WITH 4
ADJUSTABLE COOKING HEIGHTS



WOODFIRE OVEN



DOUBLE COMBUSTION OVEN
CHAMBER



Ø 300MM INTERNAL FLUE



WOOD & CHARCOAL FUEL

APPROXIMATE COOKING AREAS

GRILL 680 W x 630 D

OVEN 500 W x 350 D x 300 H



FUSION 200



STAINLESS STEEL GRILL WITH 4
ADJUSTABLE COOKING HEIGHTS



WOODFIRE OVEN



DOUBLE COMBUSTION OVEN
CHAMBER



Ø 300MM INTERNAL FLUE



WOOD & CHARCOAL FUEL



FEATURES

- MADE IN SPAIN
- ALL IN ONE GRILL, OVEN & COOKING SECTION.
- STEEL & CAST IRON
- CAST IRON BBQ & OVEN GRILLS
- INCLUDES PAELLA PAN & OVEN TRAY
- REMOVABLE ASHTRAY DRAWERS
- VERMICULITE INTERIOR IN COMBUSTION OVEN



APPROXIMATE COOKING AREAS

GRILL 890 W x 650 D

OVEN 600 W x 400 D x 420 H





BH SERIES

OPEN BARBEQUES

BH 70



STAINLESS STEEL
BARBEQUE GRILL



PRIMARY AIR
REGULATION



REMOVABLE
ASHTRAY DRAWER

APPROXIMATE
COOKING AREA :
GRILL 570 W x 400 D

BH 90



STAINLESS
STEEL
BARBEQUE
GRILL



PRIMARY AIR
REGULATION



REMOVABLE
ASHTRAY
DRAWER



Ø 200 MM
INTERNAL
FLUE

APPROXIMATE
COOKING AREA :
GRILL 670 W x 400 D

BH 100



STAINLESS
STEEL
BARBEQUE
GRILL



PRIMARY AIR
REGULATION



REMOVABLE
ASHTRAY
DRAWER



Ø 250 MM
INTERNAL
FLUE

APPROXIMATE
COOKING AREA :
GRILL 870 W x 500 D



BH OVEN

BARBEQUES + OVEN



BH 80 OVEN



STAINLESS
STEEL GRILL &
OVEN
INTERIOR



WOODFIRE
OVEN



PRIMARY AIR
REGULATION



DOUBLE
COMBUSTION
OVEN CHAMBER



REMOVABLE
ASHTRAY
DRAWER



BARBEQUE BASE
LINED WITH
FIREBRICKS



Ø 250 MM
INTERNAL
FLUE

APPROXIMATE
COOKING AREAS:

GRILL 670 W x 400 D

OVEN 500 W x 300 D x 275 H





BH 100 OVEN



STAINLESS
STEEL GRILL &
OVEN
INTERIOR



PRIMARY AIR
REGULATION



REMOVABLE
ASHTRAY
DRAWER



Ø 250 MM
INTERNAL
FLUE



DOUBLE
COMBUSTION
OVEN CHAMBER



FIREBRICK
LINED



WOODFIRE
OVEN

APPROXIMATE
COOKING AREAS:

GRILL 870 W x 500 D

OVEN 600 W x 400 D

BF SERIES

OPEN BARBEQUES



BF 60



STAINLESS STEEL GRILL WITH 4
ADJUSTABLE COOKING HEIGHTS



Ø 250 MM INTERNAL FLUE



BARBEQUE BASE LINED WITH
FIREBRICKS



WOOD / COAL FUEL

APPROXIMATE COOKING AREA

GRILL 620 W x 550 D

BF 70



STAINLESS STEEL GRILL WITH 4
ADJUSTABLE COOKING HEIGHTS



Ø 250 MM INTERNAL FLUE



BARBEQUE BASE LINED WITH
FIREBRICKS



WOOD / COAL FUEL

APPROXIMATE COOKING AREA

GRILL 680 W x 630 D



BF 90



STAINLESS STEEL GRILL WITH 4
ADJUSTABLE COOKING HEIGHTS



Ø 300 MM INTERNAL FLUE



BARBEQUE BASE LINED WITH
FIREBRICKS



WOOD / COAL FUEL

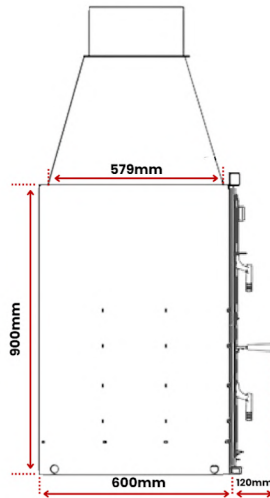
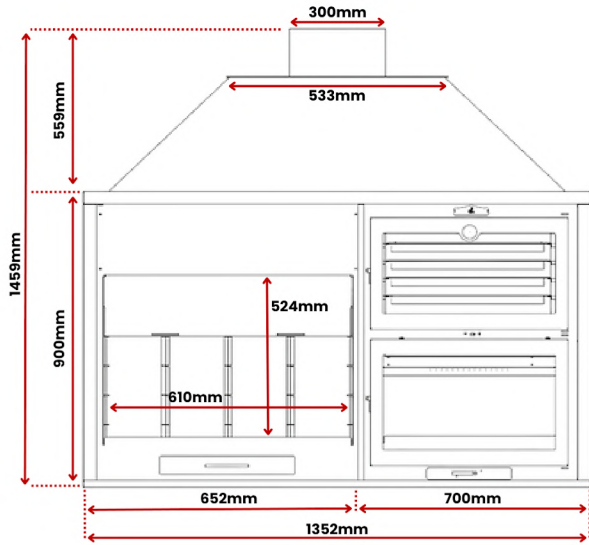
APPROXIMATE COOKING AREA

GRILL 890 W x 650 D



FUSION

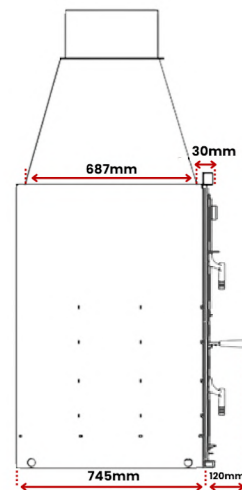
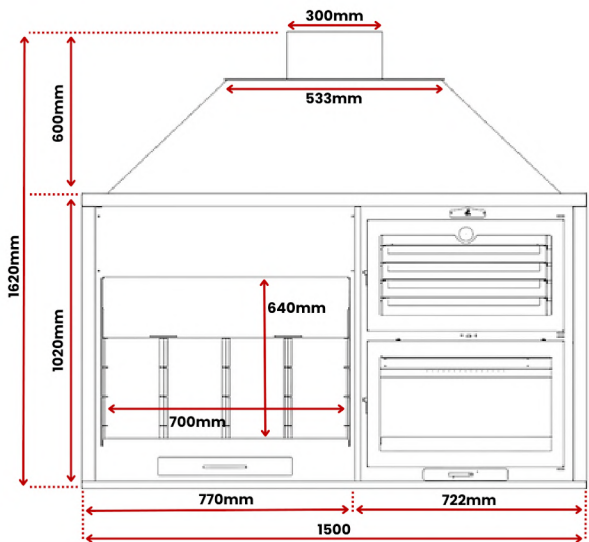
SPECIFICATIONS



FUSION 140

WEIGHT 235 KG

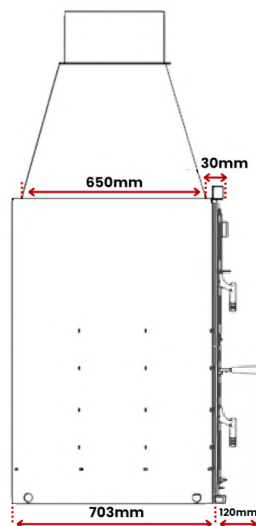
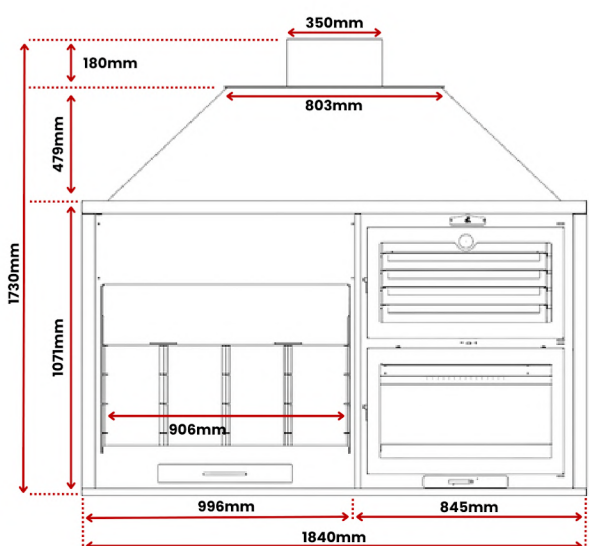
FLUE SIZE 300MM MALE
INNER
CONNECTION



FUSION 160

WEIGHT 300 KG

FLUE SIZE 300MM MALE
INNER
CONNECTION



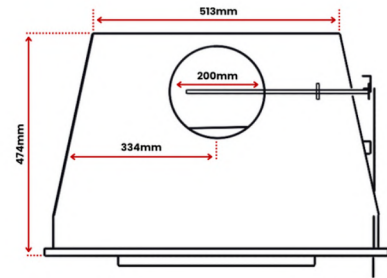
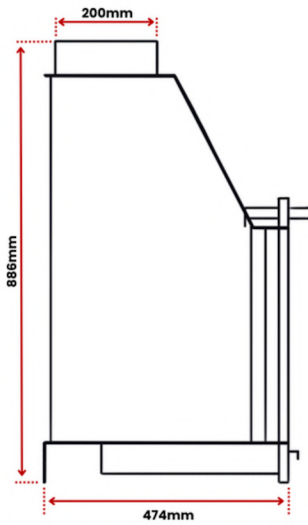
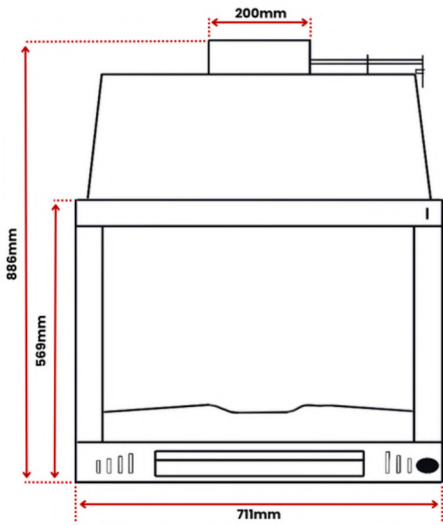
FUSION 200

WEIGHT 360 KG

FLUE SIZE 350 MM MALE
INNER
CONNECTION

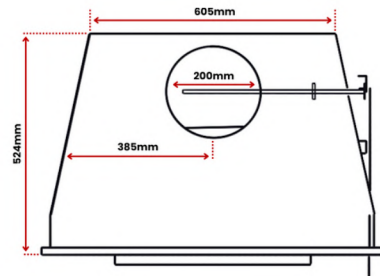
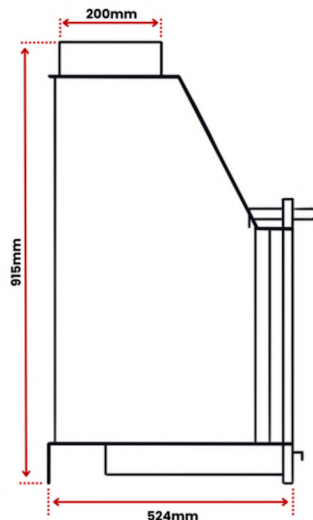
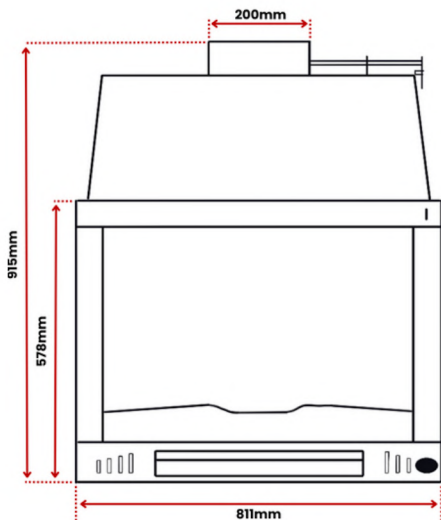
BH SERIES

SPECIFICATIONS



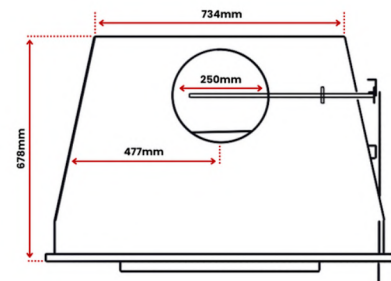
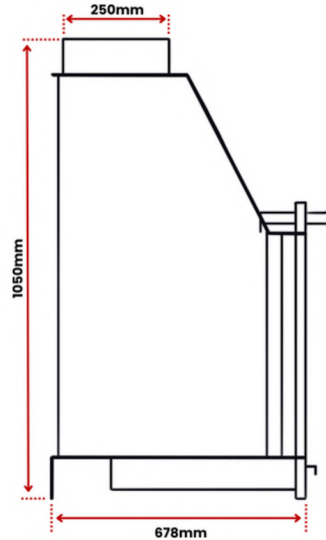
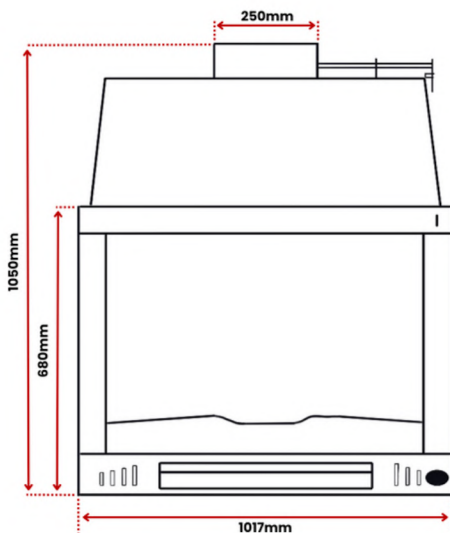
BH 70

WEIGHT 58 KG
FLUE SIZE 200MM MALE INNER CONNECTION



BH 80

WEIGHT 75 KG
FLUE SIZE 200MM MALE INNER CONNECTION

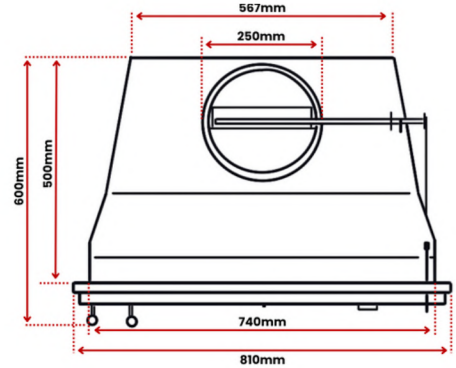
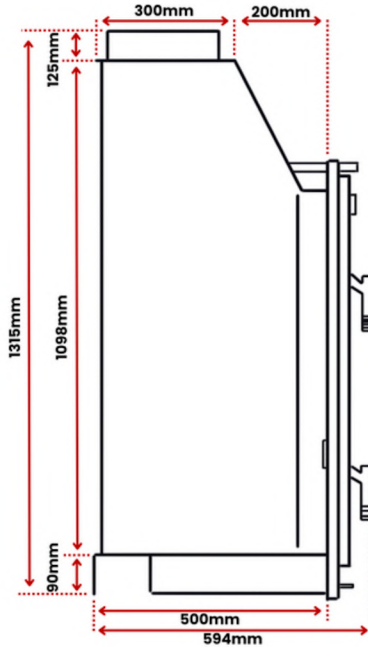
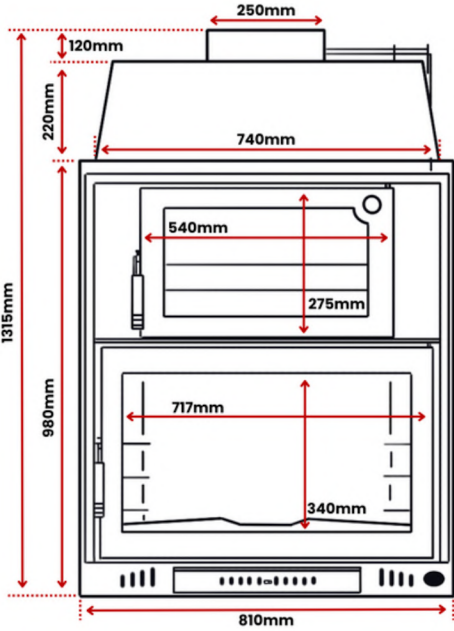


BH 100

WEIGHT 93 KG
FLUE SIZE 250MM MALE INNER CONNECTION

BH OVEN

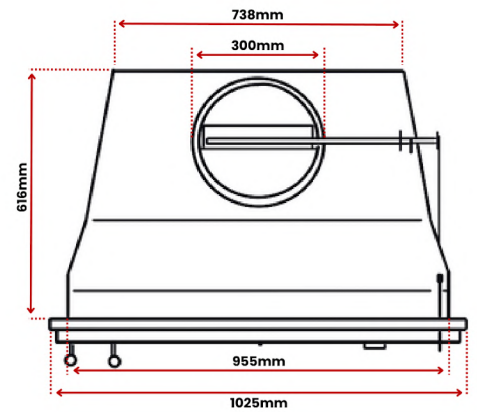
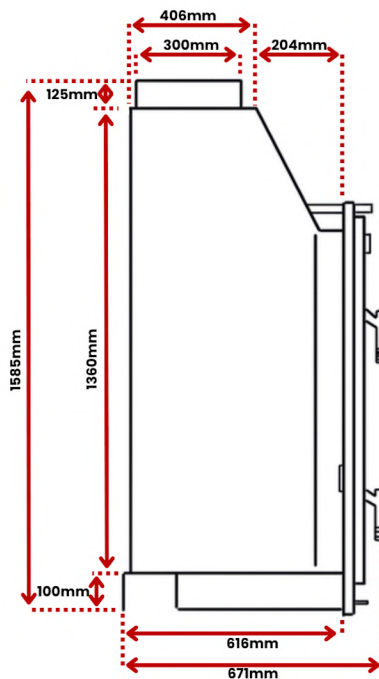
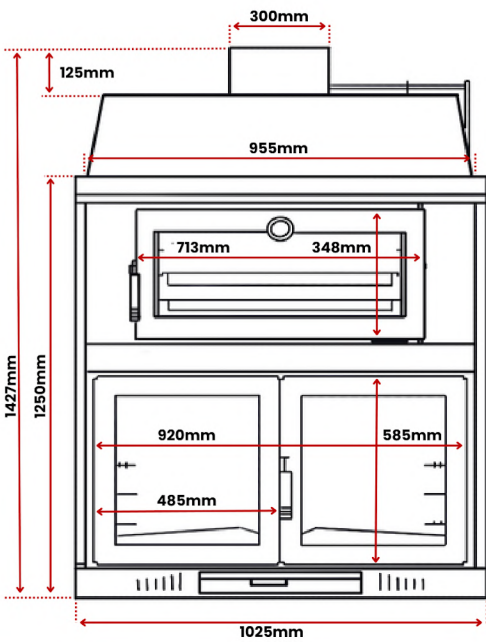
SPECIFICATIONS



BH 80 OVEN

WEIGHT 140 KG

FLUE SIZE 250 MM MALE INNER CONNECTION



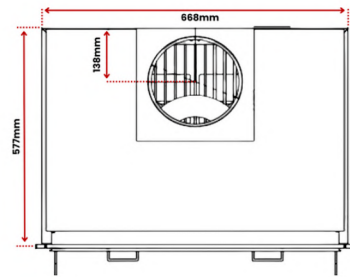
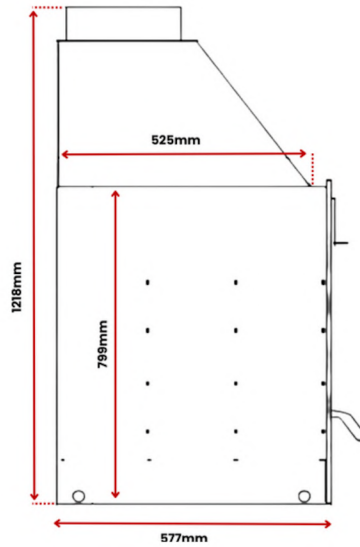
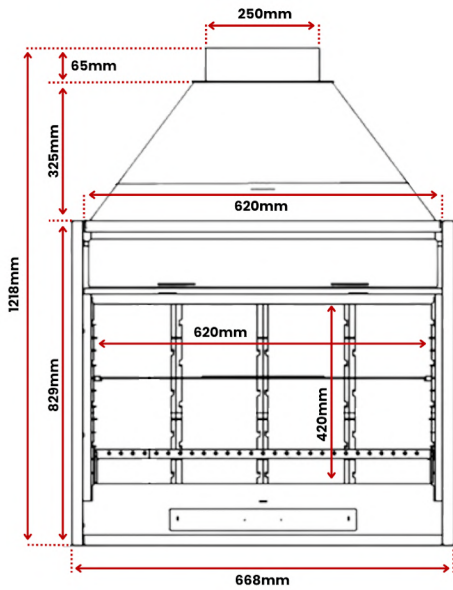
BH 100 OVEN

WEIGHT 182 KG

FLUE SIZE 250 MM MALE INNER CONNECTION

BF SERIES

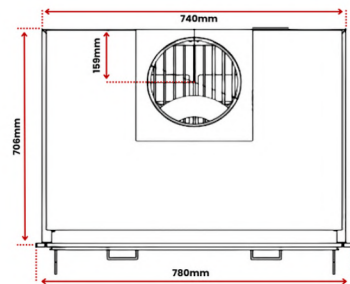
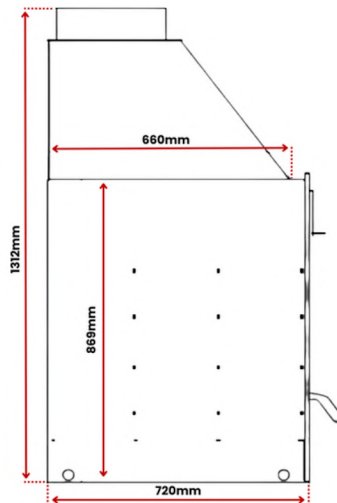
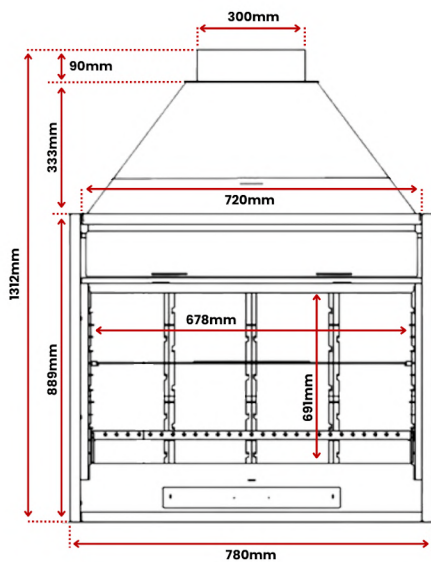
SPECIFICATIONS



BF 60

WEIGHT 95 KG

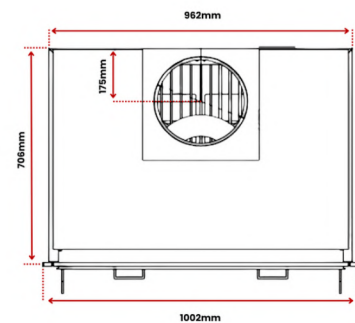
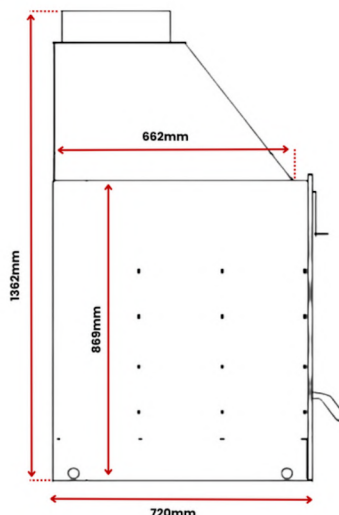
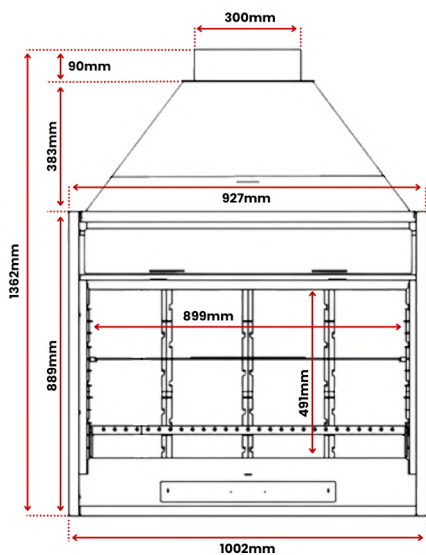
FLUE SIZE 250MM MALE INNER CONNECTION



BF 70

WEIGHT 150 KG

FLUE SIZE 250MM MALE INNER CONNECTION

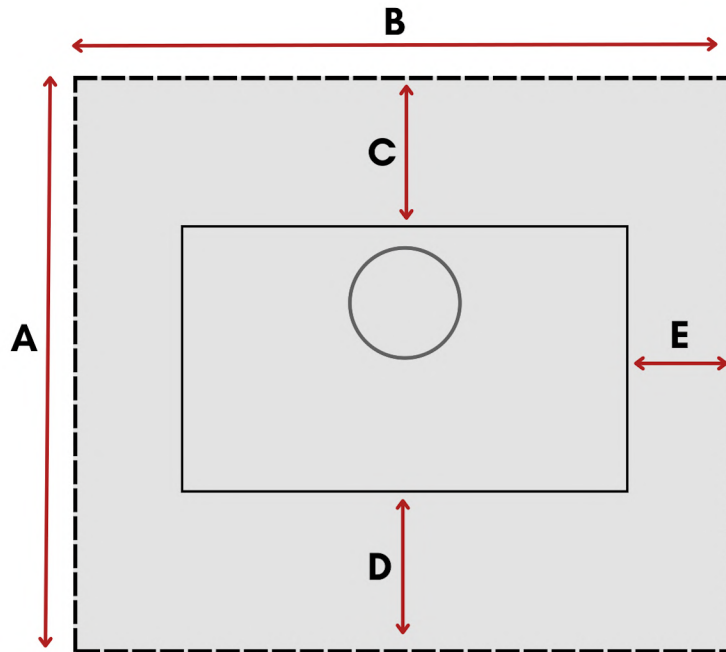


BF 90

WEIGHT 190 KG

FLUE SIZE 300MM MALE INNER CONNECTION

HEARTH & CLEARANCE REQUIREMENTS



HEARTH REQUIREMENTS

MODEL	A	B	C	D	E	THICKNESS
FUSION 140	2600	3352	1000	1000	1000	150
FUSION 160	2750	3500	1000	1000	1000	150
FUSION 200	2703	3840	1000	1000	1000	150
BH - 80 OVEN	2500	2810	1000	1000	1000	150
BH - 100 OVEN	2616	3025	1000	1000	1000	150
BH - 70	2474	2711	1000	1000	1000	150
BH - 80	2524	2811	1000	1000	1000	150
BH - 100	2678	3017	1000	1000	1000	150
BF - 60	2577	2668	1000	1000	1000	150
BF - 70	2720	2780	1000	1000	1000	150
BF - 90	2720	3002	1000	1000	1000	150

CLEARANCE REQUIREMENTS

ALL MODELS REQUIRE A MINIMUM CLEARANCE OF **1500 MM** FROM THE FRONT, REAR AND SIDES OF THE UNIT TO ANY COMBUSTIBLE MATERIALS AND SURFACES*

*REFER TO THE INSTALLATION MANUAL FOR MORE INFORMATION.

ARTISTM