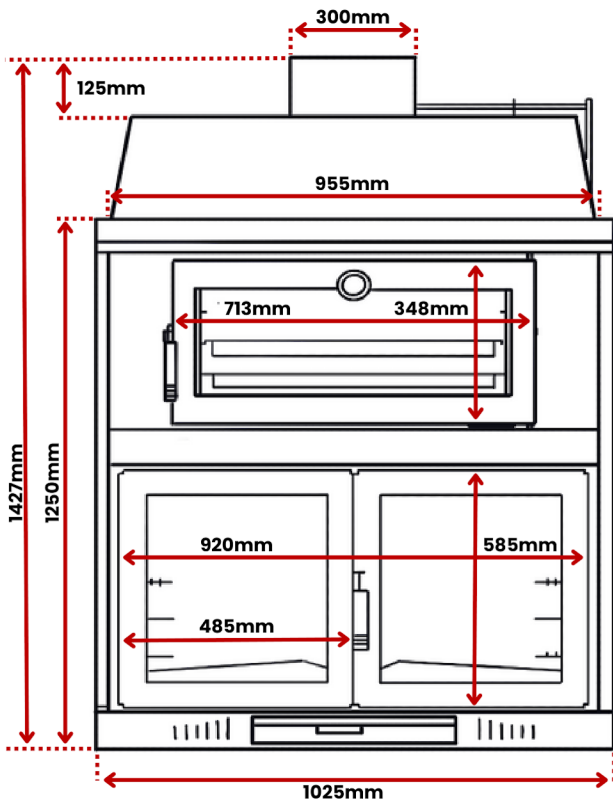




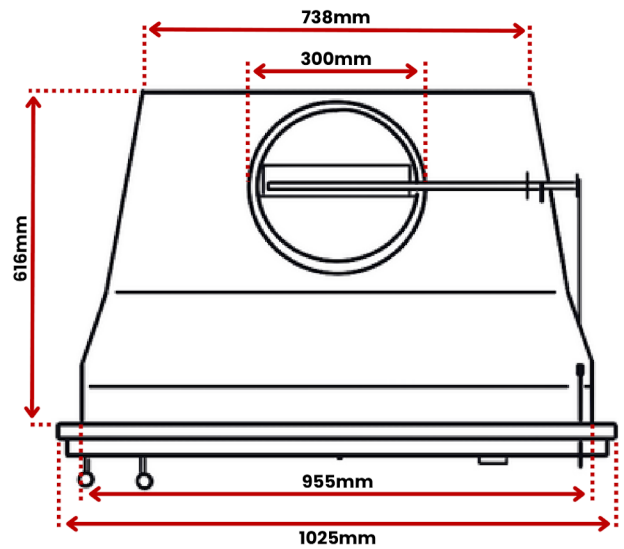
Combining the warmth and charm of a slow combustion fireplace with the convenience of a built-in oven, the BH 100 Oven brings your kitchen to your backyard for full scale outdoor living.

Handcrafted in Spain with high-quality materials, this versatile outdoor appliance is built to withstand the test of time.

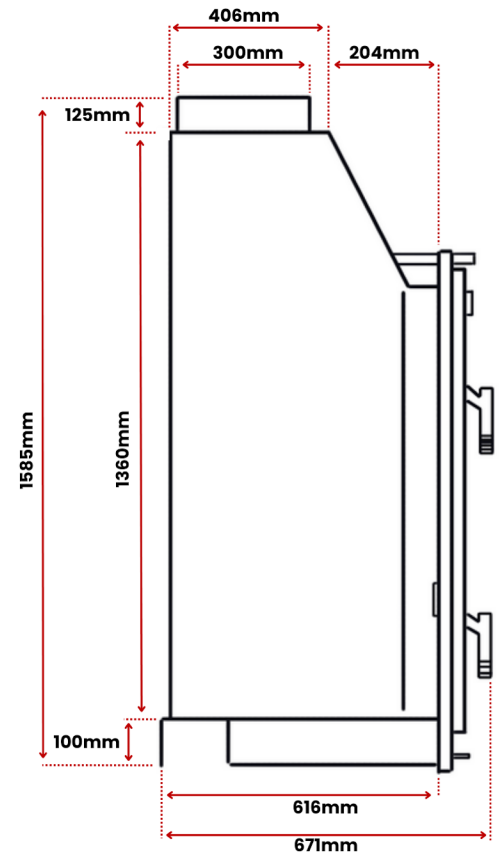
FRONT



TOP



SIDE



| | |
|-------------------|---|
| MATERIAL | High Quality Welded Steel |
| AIRFLOW | Dual airflow control (top damper & bottom air slide) |
| FINISH | Black High Temperature Paint |
| WEIGHT | 182kg |
| INCLUSIONS | Precision Temperature Guage Vitroc ceramic Glass Doors Removable Ash Tray Drawer Stainless Steel BBQ Grill Stainless steel tray (600mm x 400mm) Additional Paint Can Heat Resistant Glove |