

your duo3 just got better

meet your duo3 shopper basket

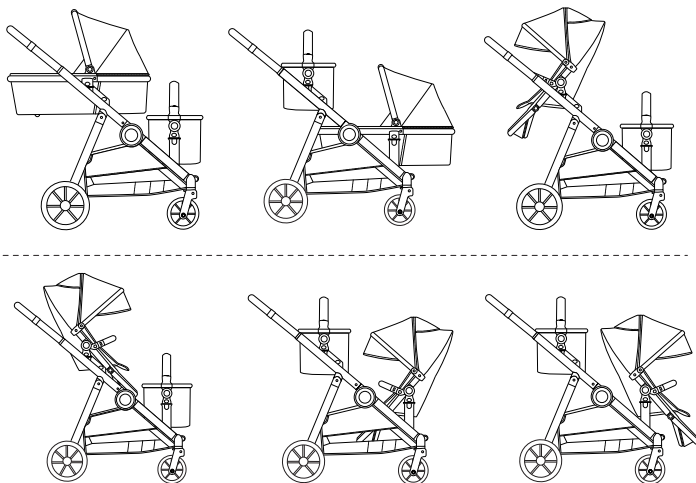
Your DUO3 shopper basket has arrived. Here to make parent-life easier with extra storage, allowing you to take your shopping from your pram, straight into your home. We want to ensure your little one is safe, so please carefully read this instructional manual on how to assemble it correctly, and how to use your shopper basket with your DUO3 or DUO2 safely.

how to use safely

WARNING

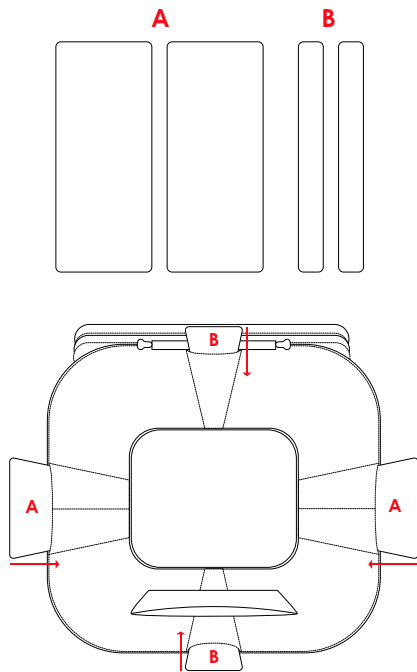
- APPROVED FOR USE WITH THE BABYBEE DUO2 + DUO3 ONLY.
- MAXIMUM WEIGHT LIMIT IS 8KG.

TO AVOID A TIPPING RISK, ONLY USE THE BASKET IN THE FOLLOWING CONFIGURATIONS:

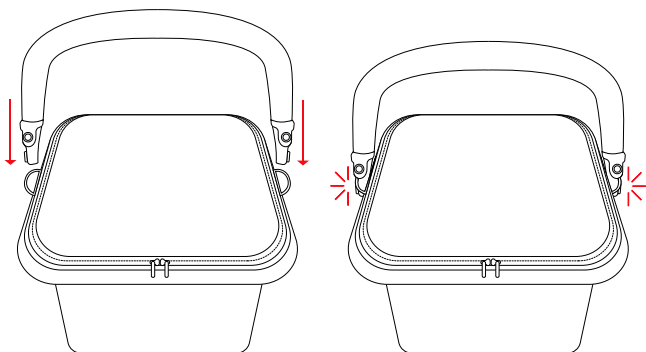


how to assemble

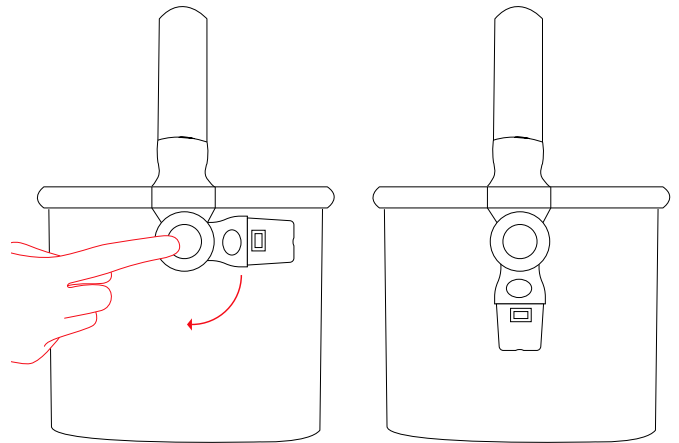
- 1. Insert the plastic boards.** Insert A and B into the corresponding fabric slots on the sides of the basket and secure the velcro.



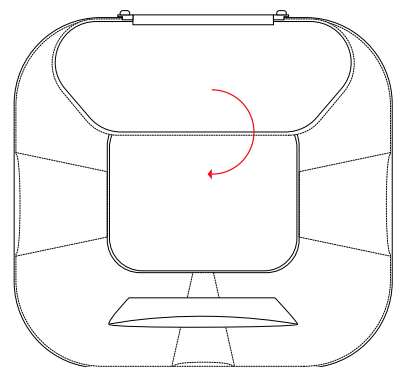
- 2. Attach the handle.** Push the handle into slots on either side of basket until mechanism clicks in. To remove the handle from one side or both, press the oval button on the side you want to release and pull the handle out.



- 3. Rotate pram connectors.** On the side of the basket, press the large round buttons then rotate the pram connectors to a vertical position as shown.



- 4. Basket lid.** The basket has a lid with zipper to keep everything safe, but if you prefer to keep the lid open it can be positioned to the inside or outside of the basket.



You are now ready to start using your DUO3 shopper!
Happy shopping from our family to yours.