



MILES TRAVEL STROLLER

PRODUCT MANUAL

**IMPORTANT! READ CAREFULLY
AND KEEP FOR FUTURE REFERENCE**

The Babybee MILES is designed and tested to comply with: Consumer
Protection Notice No. 8 of 2007, AS 2088:2022, AS/NZS ISO 8124-3

THANK YOU FOR CHOOSING BABYBEE!

Since 2015, we've been on a mission to make the very best baby products that make #parentlife better. Less stressful, more stylish, and more fun.

Welcome to the family!



CONTENTS

- 4. Safety warnings
- 7. What's in the box?
- 8. Unfolding & assembling the stroller
- 9. Folding the stroller
- 11. Using your Miles stroller
- 11. Using the brake
- 12. Front swivel wheels
- 13. Safety harness
- 15. Adjusting the seat position
- 16. Adjusting the canopy
- 16. Adjusting the footrest
- 17. Belly bar
- 17. Basket
- 18. Accessories
- 19. Keeping your stroller in tip-top shape
- 22. Warranty information

Read all instructions before assembling and using the product

SAFETY FIRST

⚠ WARNING

- FOLLOW THE MANUFACTURER'S INSTRUCTIONS.
- PUT ON ALL THE BRAKES WHENEVER YOU PARK THE STROLLER.
- DO NOT LEAVE CHILDREN UNATTENDED.
- DO NOT CARRY EXTRA CHILDREN OR BAGS ON THIS STROLLER.
- MAKE SURE CHILDREN ARE CLEAR OF ANY MOVING PARTS IF YOU ADJUST THE STROLLER, OTHERWISE THEY MAY BE INJURED.
- USE THE HARNESS AT ALL TIMES.
- USE THE TETHER STRAP TO STOP THE STROLLER ROLLING AWAY.

It's important that you read and follow all instructions and safety messages in this manual before setting up and using your stroller. Incorrect assembly and usage can be dangerous and result in serious injury or even death!

The biggest safety risks relating to lightweight travel strollers include:

Tipping

- Never hang any bag from the handlebar as its weight will unbalance the stroller and is a tipping hazard.

SAFETY FIRST

- The stroller is less stable when travelling over uneven terrain or up/down kerbs. Please take extra care.

Falls

- Climbing into the stroller unassisted could result in a fall and potentially break the footrest.
- Securing your child in the safety harness is the simplest way to prevent falls.

Rolling

- Due to being lightweight, travel strollers can easily roll away from the user if the tether strap or brake are not being used. Please use these at all times.

Adult or child finger entrapment

- Take care when folding or adjusting the stroller.
- Never allow your child to fold or adjust the stroller.

Weight Limits

- This stroller seats one child with a maximum weight limit of 22kg.
- Maximum weight limit for the basket is 5kg.

General Safety

- Never use the stroller in a manner for which it is not designed.
- Do not allow your child to climb on, stand on or play with the stroller.

SAFETY FIRST

- Bags and other items must not be hung from the handlebar as they may damage the frame or cause the stroller to tip over.
- The stroller should never be used as an unsupervised sleeping environment.
- Ensure you carefully explain usage and safety features to new carers before they use the stroller.

Unsafe Conditions

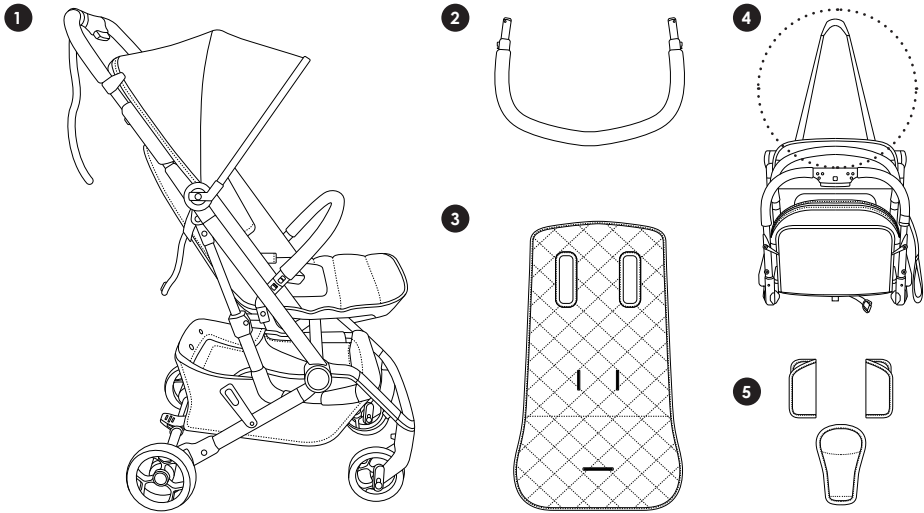
- Remove your child and take care when going up or down stairs or escalators.
- We recommend you take your child out of the stroller when travelling by bus, tram, or train. Even with the brake engaged, the stroller may slide when the vehicle brakes suddenly or is travelling on an incline/decline.
- This stroller is designed for use on flat or gently sloping surfaces and may be unstable or even tip over on higher sloping and uneven surfaces.
- Do not use or leave the stroller near open fire or an exposed flame.
- Not suitable for running, rollerblading or skating.

Carrying and transporting your stroller

- Do not lift or carry the stroller when fully unfolded or when occupied by your child. Only lift and carry after folding.
- Make sure the stroller and all parts are secured when being transported in a vehicle.

WHAT'S IN THE BOX?

Please check that you have all the correct parts before getting started.



1. Stroller

2. Belly Bar

3. Seat Liner

4. Carry Strap

5. Harness covers

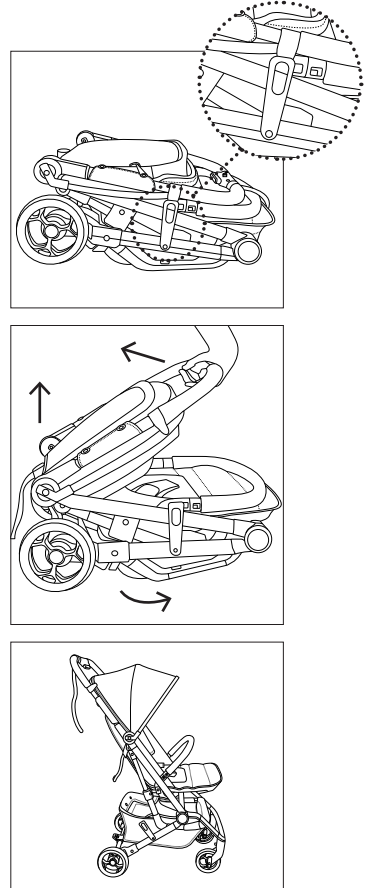
UNFOLDING & ASSEMBLING THE STROLLER

1 Position the stroller on the floor with the handle bar facing up.

2 Undo the frame lock located on the right side of the stroller as highlighted in the reference image.

3 Once unlocked, pull the handlebar up whilst lifting the stroller into the air and simultaneously swinging the lower half of the frame forward and out, so it clicks into place.

4 Ensure the stroller is locked in the unfolded position and is self-standing before use. If not fully engaged, push the lower half of the frame out until it clicks into place.



⚠ WARNING

TAKE EXTRA CARE WHEN FOLDING AND UNFOLDING THE STROLLER, TO AVOID FINGERS OR PARTS OF THE BODY BEING INJURED.

FOLDING THE STROLLER

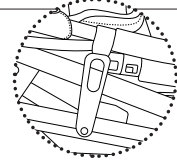
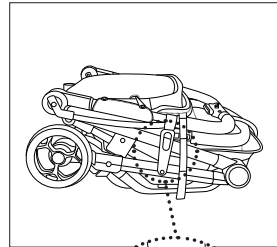
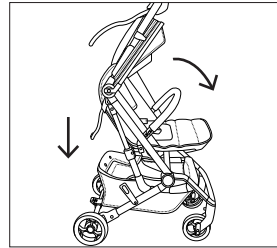
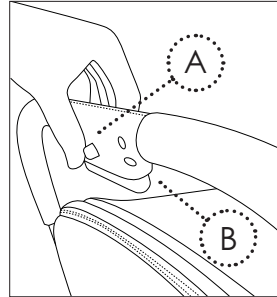
1 Ensure the brake is on and the front wheel locks are not engaged prior to folding.

2 To initiate folding, simultaneously push the safety lock button (A) and squeeze the fold activation button (B).

3 Whilst holding the buttons (A) and (B), push the handlebar forward and the frame downwards so it collapses onto itself, under its own weight.

4 With the frame collapsed, squeeze it together until the frame lock engages. This can be done by pressing the stroller into the floor or whilst standing on its wheels by squeezing the frame together.

Note: If pressing against the floor, ensure it is on a soft surface to prevent excessive wear and tear.

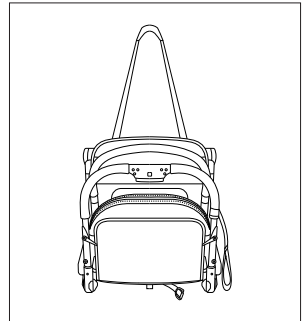
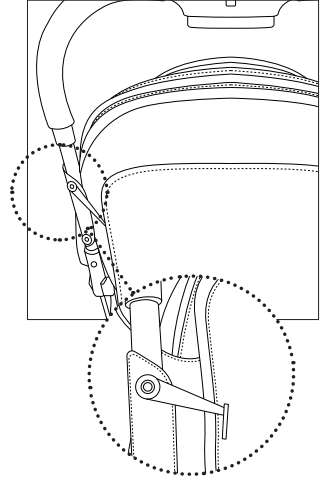


FOLDING THE STROLLER

- Note:** If not already secured, loop the elastics on the back of the seat fabric to the upper frame attachment to keep it secure while carrying!
- 4** of the seat fabric to the upper frame attachment to keep it secure while carrying!
- 5** Use the carry strap or carry bar to lift and carry the stroller.

⚠ WARNING

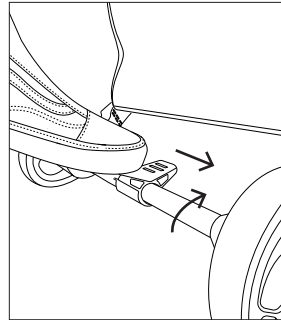
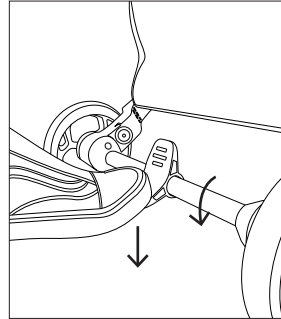
- TO AVOID FINGER ENTRAPMENT, KEEP YOUR OWN AND YOUR CHILDREN'S FINGERS & LIMBS CLEAR OF ANY FOLDING PARTS.
- ALWAYS ENSURE THE FRAME LOCK IS ENGAGED BEFORE LIFTING OR CARRYING THE STROLLER.



USING THE BRAKE

1 **To engage:** Press all the way down on the bottom of the red brake pedal until you feel it click into place.

2 **To release:** Press on the top of the brake pedal, rotating it forward until it clicks into place and the brake has been disengaged.



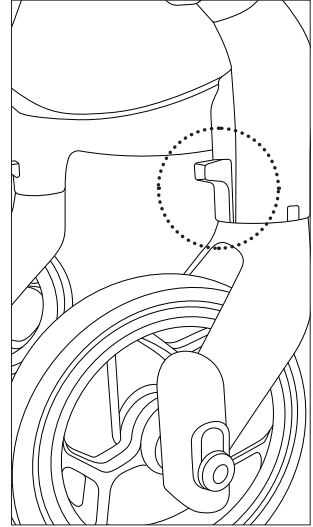
⚠ WARNING

TO PREVENT THE STROLLER FROM ROLLING AWAY DUE TO SLIGHTLY SLOPING SURFACES OR EVEN WIND, ALWAYS APPLY THE BRAKE WHENEVER THE STROLLER IS NOT MOVING.

FRONT SWIVEL WHEELS

Always take extra care when travelling off road or over uneven terrain. For a smoother ride, lock your front swivel wheels.

- 1** **To lock front wheels:** Press the button on the back of the front wheel hub down.
- 2** **To unlock front wheels:** Pull the wheel lock button up to go back to swivel mode.



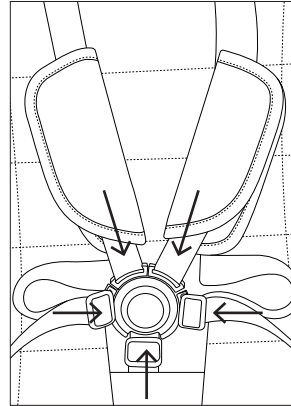
SAFETY HARNESS

To secure the harness:

- 1 Insert each of the 4 harness prongs into the central buckle.
- 2 Adjust the length of each strap to ensure it fits nice and snug.

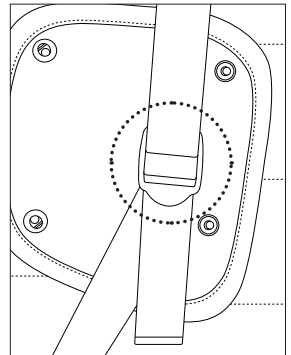
To release the harness:

- 3 To release, press the button in the middle of the buckle.



To adjust the length of the shoulder straps:

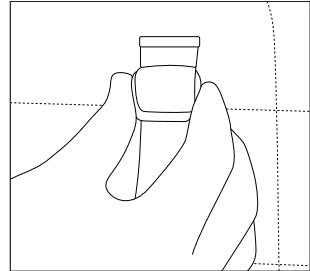
- Shorten the shoulder strap by pulling on the tightening strap.
- 1 To lengthen, tilt the shoulder strap buckle up whilst pulling down on the shoulder strap.



SAFETY HARNESS

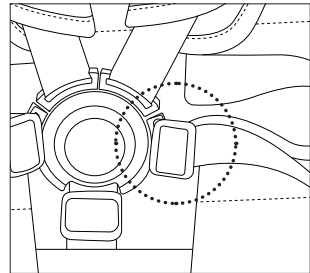
To adjust the height of the shoulder straps:

- 1 To adjust, slide the backrest shoulder strap buckle up or down into desired location.



To adjust the length of the waist straps:

- 1 To shorten, adjust the waist strap buckle to the back rest. To lengthen, adjust buckle to the front of seat.



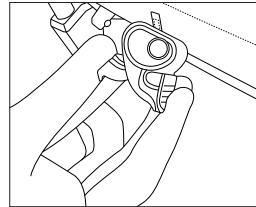
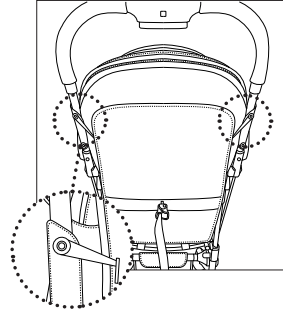
⚠️ WARNING

- ALWAYS USE THE HARNESS WHEN YOUR CHILD IS IN THE STROLLER.
- ALWAYS ADJUST THE HARNESS APPROPRIATELY FOR YOUR CHILD'S SIZE.
- NEVER LEAVE THE HARNESS BUCKLED WHEN NOT FITTED TO YOUR CHILD IN THE STROLLER. THE HARNESS CAN FORM LOOPS WHICH MAY CAUSE A STRANGULATION HAZARD.

ADJUSTING THE SEAT POSITION

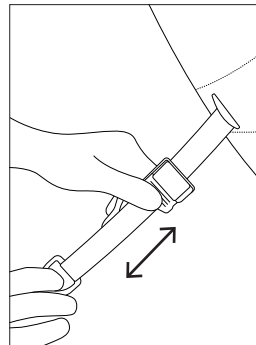
To recline the seat

- 1 Undo the elastic loops on each side of the seat back.
- 2 Squeeze the latch on the back of the seat and pull it downwards stopping at your desired position.



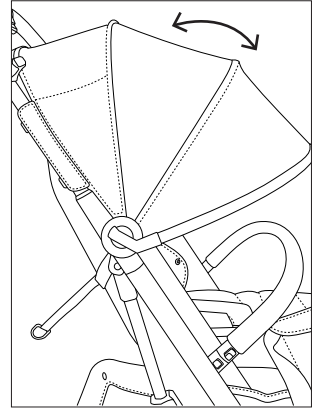
To raise the seat

- 1 Hold the end of the recline strap with one hand and squeeze the latch while sliding it upwards bringing the seat to the desired position.
- 2 Re-attach the elastic loops to the frame.



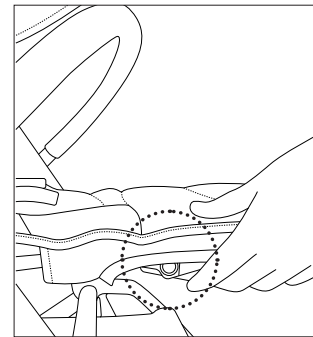
ADJUSTING THE CANOPY

- 1 Simply pull or push the canopy forward or back.
- 2 For maximum protection, undo the zip to extend the canopy to its maximum length to protect your child from the sun or wind.



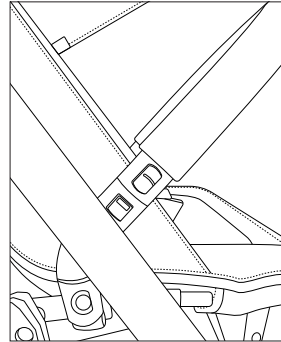
ADJUSTING THE FOOTREST

- 1 Lift the footrest to raise it into place.
- 2 Simultaneously squeeze both levers underneath the footrest to lower it.



BELLY BAR

- 1 Simultaneously Insert each end of the bar into the belly bar sockets.
- 2 To remove simultaneously press the release buttons on both sides of the bar and pull out.



BASKET

- 1 The basket has been tested to hold 5kg. Overloading the basket with more weight may damage the basket.

ACCESSORIES

Raincover (sold separately)

- 1 Attach to the stroller as shown and secure the Velcro tabs to the front of the stroller frame.

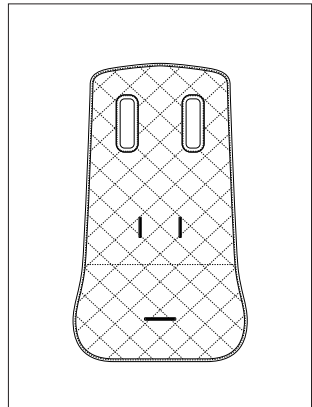


⚠ WARNING

NEVER LEAVE COVERS (INCLUDING THE RAIN COVER) OVER THE STROLLER WHILE INDOORS, IN A HOT ATMOSPHERE OR NEAR A HEAT SOURCE. ALWAYS SUPERVISE WHILE THE STROLLER IS COVERED.

Reversible Seat Liner

- 1 Attach the seat liner by threading the harness straps from the seat through the corresponding slot.
- 1 Secure the seat liner to the seat by threading the plastic toggles through the slots in the top of the seat and secure through the elastic loops.



KEEPING YOUR STROLLER IN TIP-TOP SHAPE

Excessive wear can reduce the effectiveness and safety of your stroller. To keep your stroller in good working condition and ensure that it lasts as long as possible will require regular maintenance.

Regular maintenance should include:

- Inspecting the locking devices, levers, joints, buttons, brakes, wheels, safety harness & fixtures to ensure they are secure, moving freely and in full working order.
- If any parts of the stroller have become stiff, difficult to operate or begin to squeak, first ensure that dirt is not the cause. Then try a light application of a sprayable silicone lubricant, ensuring that it penetrates between the components. **Note:** Silicone lubricant is preferable.

⚠ WARNING

POISONOUS, TOXIC SUBSTANCE. USE WITH CARE.

- ENSURE CHILDREN ARE NOT PRESENT WHEN APPLYING SILICONE LUBRICANT OR ALLOWING IT TO DRY.
- ALWAYS SPRAY OUTSIDE OR IN A WELL VENTILATED AREA.
- ENSURE YOU USE MINIMAL PRODUCT AND WIPE AWAY EXCESS SOLUTION BEFORE USE.

KEEPING YOUR STROLLER IN TIP-TOP SHAPE

Correct use

- The MILES stroller has been designed for urban living and weekend adventures which means it's ideal for walking on sealed footpaths, in shopping centres, cafes and down at your local park. Frequent use of the stroller off-road or over uneven terrain will place more stress on the frame and wheels and cause them to wear out faster. For this reason, we recommend "weekend adventures" and not regular off-road use.

Correct storage

- Do not leave the stroller in direct sunlight for prolonged periods of time to avoid colour fade.
- Do not leave MILES in your car on hot days or near any heat source or fire.
- Do not store the stroller with heavy items on top of it.
- Store the stroller in a dry, well-ventilated and safe place.

Preventing rust & mould

- After exposure to wet or damp conditions (especially trips to the beach, snow or in the rain), leave the stroller fully open in a warm, well-ventilated environment to prevent rust and mould. You may need to dry with a soft lint-free cloth. Left damp it will encourage mildew, mould, or rust to form, causing damage to the stroller.

KEEPING YOUR STROLLER IN TIP-TOP SHAPE

Cleaning instructions

To keep your stroller looking and functioning like new, we recommend a deep, comprehensive clean every 6 months.

For a full guide on how to clean your pram, please refer to our website.

Do Not

- Do not immerse the seat or canopy in water, sponge clean only.
- Do not press or iron.
- Do not rub or wring fabric.
- Do not tumble dry.
- Do not clean with abrasive materials or using ammonia, bleach, solvents, caustic or spirit-based cleaners.
- Do not dry clean.

Note:

- Do not clean your stroller with children around.
- Do not remove, dismantle, or alter any part of the folding mechanisms, frame, brake axle or wheels for cleaning or any other reason.
- Do not use if any part is broken, torn, or missing. Replacement parts are available from our website or by contacting us.

Failing to adhere to these maintenance and cleaning instructions could damage or effect the safety of your stroller and may void your warranty.

WARRANTY INFORMATION

Your MILES stroller comes with a 3 year defects warranty to cover against faults in materials and workmanship when your stroller is used under normal conditions, according to our user manuals and technical specifications.

The benefits under our warranty are in addition to other rights & remedies under the law in relation to consumer goods: Our goods come with guarantees that cannot be excluded under Consumer Law in the country of purchase. You are entitled to a replacement or refund for a major failure and for compensation for any other reasonably foreseeable loss or damage. You are also entitled to have the goods repaired or replaced if the goods fail to be of acceptable quality and the failure does not amount to a major failure.

The warranty period starts from the date that your stroller is dispatched from our warehouse and is valid in the country of purchase only.

To make a claim email us at:
au.support@babybeeonline.com
or
nz.support@babybeeonline.com

with a detailed description, video and/or photos of the defect and a photo of the batch number. Our warranty team will then determine the best way to resolve any defects or faults. Babybee reserves the right to repair, exchange or replace the damaged item with a replacement part. Some parts may be replaced with newer model parts as the product is improved over time.

WARRANTY INFORMATION

The warranty is not valid in the following cases:

- Defects or faults resulting from improper assembly, care or use as outlined in our user manual
- Defects or faults resulting from an accident, airline or transport damage
- Normal wear and tear, including scratches to the frame or colour fading of the fabrics
- Damage to parts or fabrics (i.e. scuffs or tears) as a result of normal handling & daily use
- Corrosion, mould or rust due to extreme environmental conditions, including high humidity, or due to lack of regular maintenance
- Products that are purchased secondhand or from an unauthorised distributor
- Using a part or accessory that is not compatible with the product and/or not manufactured by Babybee Prams
- If you or a third party has attempted to modify or repair the product without having received written permission from Babybee
- Claims from anyone other than the original purchaser (i.e. no longer valid if gifted or sold to another individual)
- Damage resulting from extreme heat conditions (i.e. leaving in car on hot days)
- Customer dissatisfaction with the product in terms of fit, weight, functionality, colour or design.

Designer Style. Unbeatable Value.



MODEL: BABYBEE MILES

VERSION: 1 | NOV 2022

Slight variations in the design of your stroller to the images shown in this manual may be present. Most recent versions can be found on our website.

babybeonline.com