

Assembly Instructions

Tango 223 / 270



resource

WARNING

READ CAREFULLY BEFORE BEGINNING INSTALLATION.

IMPROPER INSTALLATION OF THE PRODUCT MAY CAUSE SERIOUS INJURY



Installation must be performed by a licensed contractor or a trained professional, who will ensure proper assembly and installation.



Installation must be performed by at least 2 people.



Improper installation of this product can cause serious or fatal injury.



Improper installation may result in permanent damage to the bed.



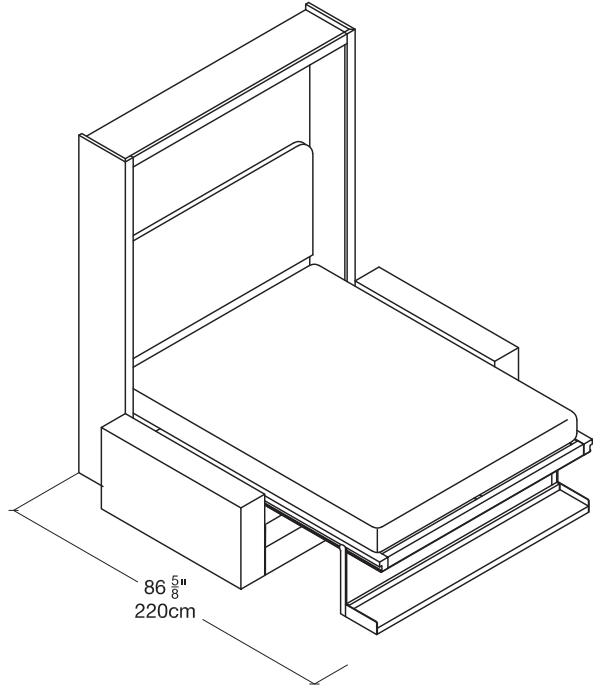
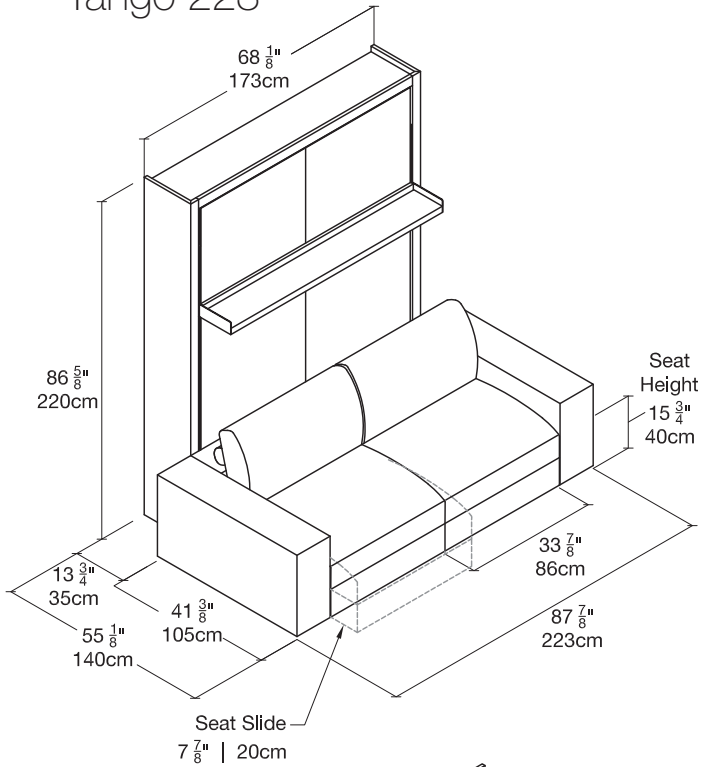
All hardware must be properly tightened. No parts of the model should be left loose or unstable.

Warranties for all products purchased from Resource Furniture, LLC are only valid if the product has been properly assembled, installed by a trained professional, and operated in accordance with the assembly instructions.

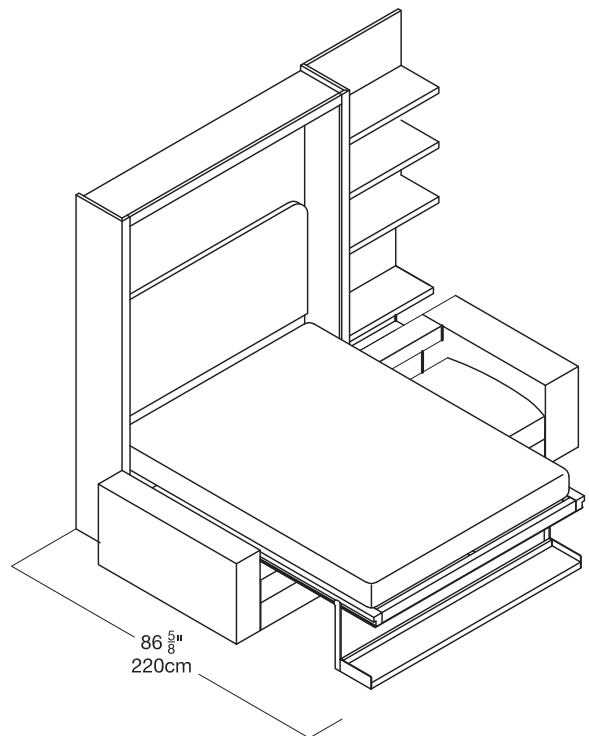
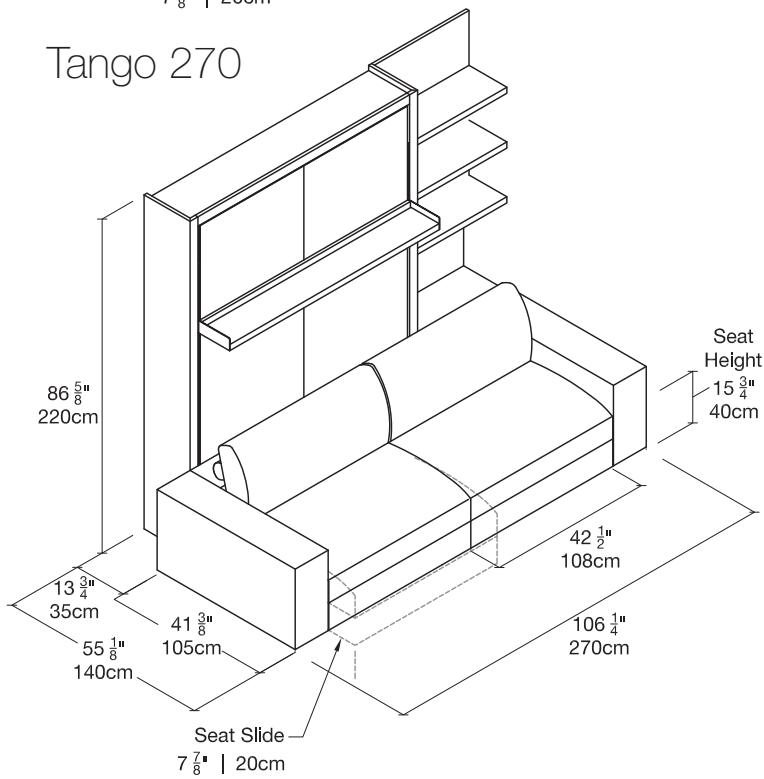
Resource Furniture accepts no responsibility for any damage or injury caused by improper installation.

TANGO OVERVIEW

Tango 223



Tango 270



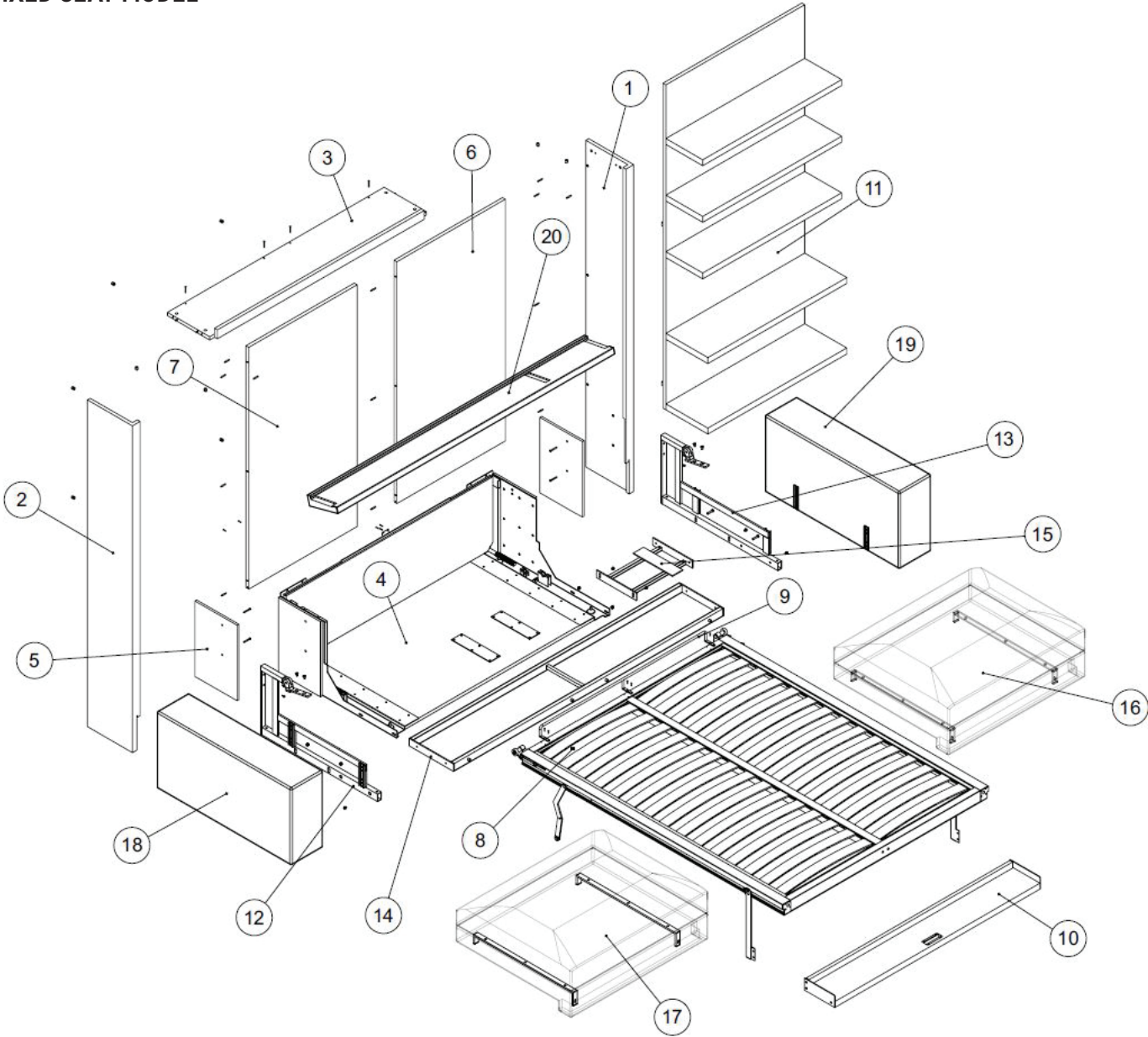
TANGO MATTRESS SPECIFICATIONS

Recommended weight: ~ 64 lbs

Recommended dimensions: 79 1/2 x 60 x 7"

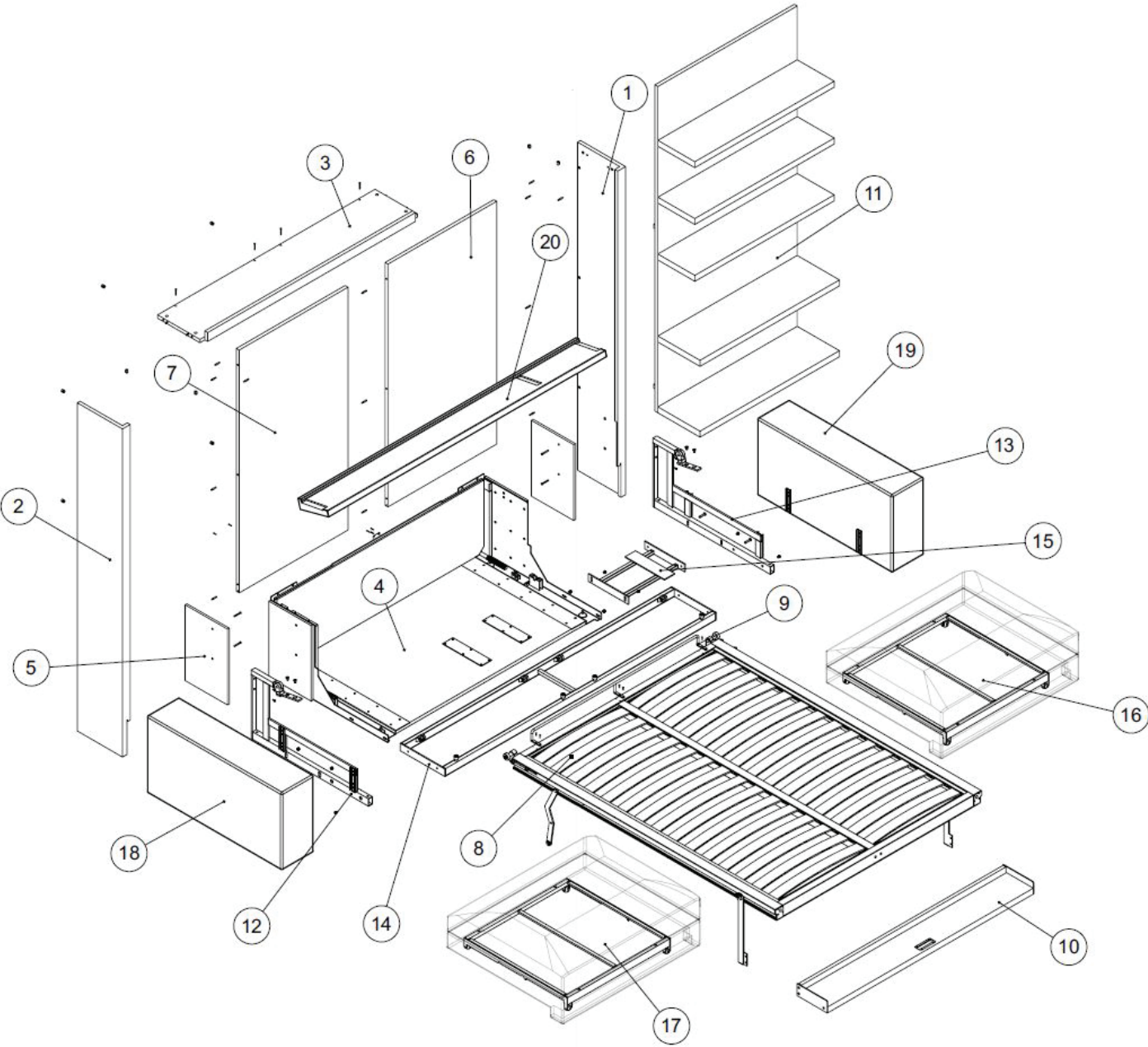
TANGO OVERVIEW

FIXED SEAT MODEL

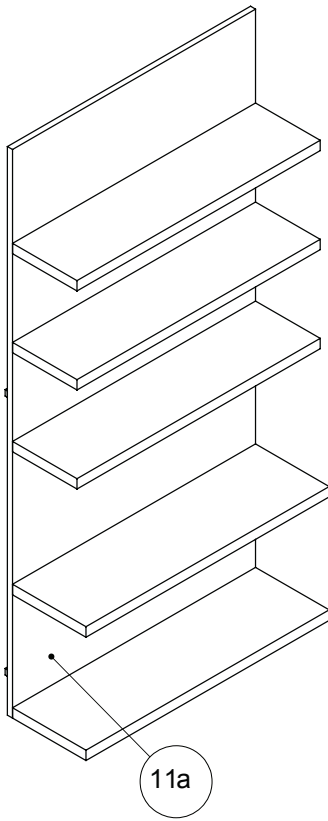


TANGO OVERVIEW

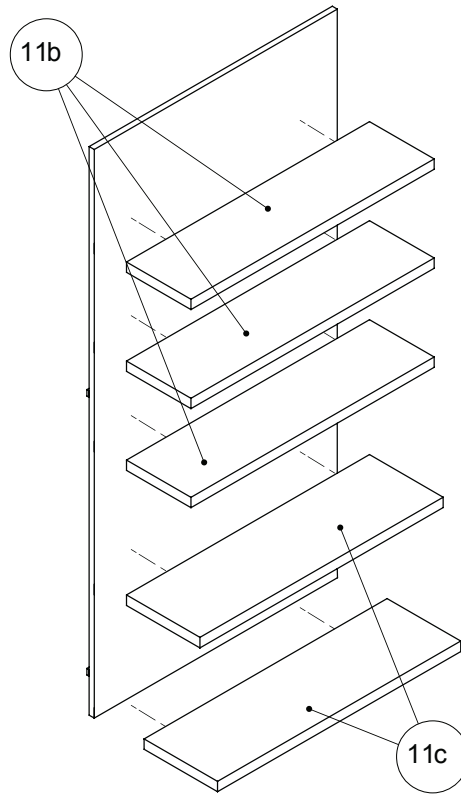
SLIDING/CHAISE SEAT MODEL



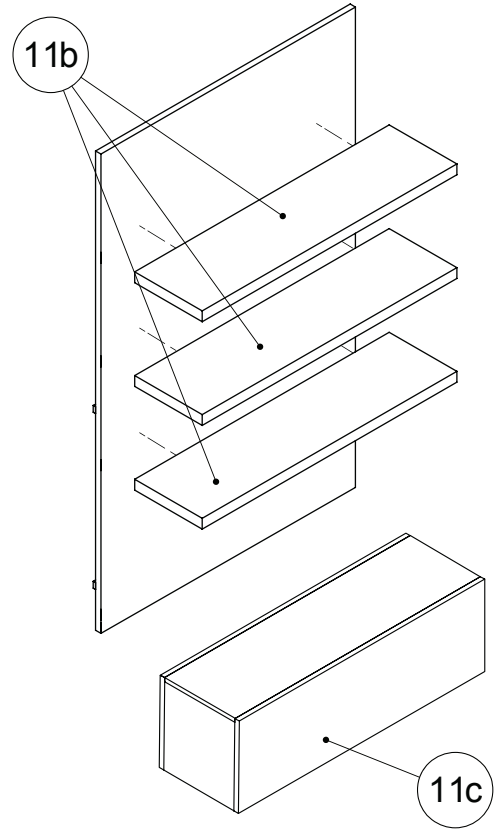
UPPER BOISERIE SHELVES



Boiserie Panel



**Bottom Boiserie Shelves
(12 3/4"Depth)**



Boiserie Box



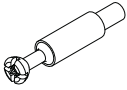
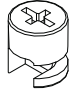

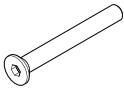
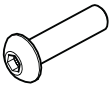
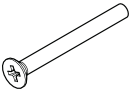
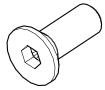
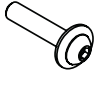
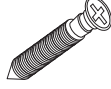
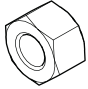


A proper wall anchor suitable for the wall's construction must be selected by the contractor or installer.

TANGO COMPONENTS

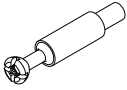
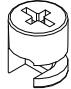

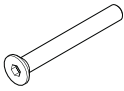
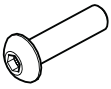
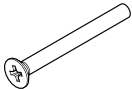
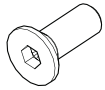
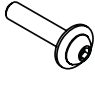
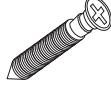
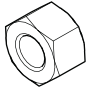

CODE	QTY.	COMPONENTS
1	1	Right side panel
2	1	Left side panel
3	1	Top horizontal panel
4	1	Base
5	2	Left/right small side panels (already attached to 1 & 2)
6	1	Right back panel
7	1	Left back panel
8	1	Bed frame
9	1	Mattress support bar
10	1	Shelf
11	1	Boiserie panel (optional)
12	1	Left arm bracket
13	1	Right arm bracket
14	1	Sofa base
15	1	Sofa base extension (Tango 270 version only)
16	1	Right sofa seat
17	1	Left sofa seat
18	1	Left armrest
19	1	Right armrest
20	1	Padded back bar

Modular sofa components may be included in place of left/right armrests, if ordered by the client.

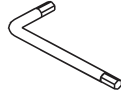
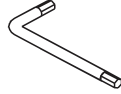
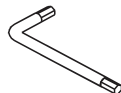
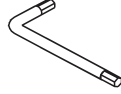
TANGO FIXED SEAT STRUCTURAL HARDWARE

CODE	QTY.	COMPONENT	DESCRIPTION	
A	13	7 x 36 6MA	Pins	
B	13	D15 L17	Cam Connectors	
C	7	3.5 x 20	Wood screws for back panels	
D	4	5MA x 50	Screws for side panels	
E	6	4MA x 18	Screws for mattress support bar	
F	4	4 x 40	Screws to attach top panel	
G	4	8MA x 25	Screws for padded back bar	
H	10	8MA x 35	Screws for sofa components	
I	4	4 x 25	Screws for front shelf	
J	4	8MA	Nuts for sofa components	
K	4	D9 x 24	Washers for sofa components	
L	4	6MA x 20	Screws for fixed sofa seats	

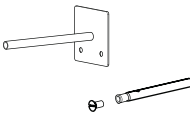
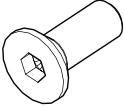
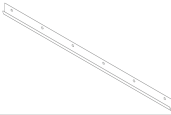
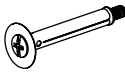
TANGO SLIDING SEAT STRUCTURAL HARDWARE

CODE	QTY.	COMPONENT	DESCRIPTION	
A	13	7 x 36 6MA	Pins	
B	13	D15 L17	Cam Connectors	
C	7	3.5 x 20	Wood screws for back panels	
D	4	5MA x 50	Screws for side panels	
E	6	4MA x 18	Screws for mattress support bar	
F	4	4 x 40	Screws to attach top panel	
G	4	8MA x 25	Screws for padded back bar	
H	18	8MA x 35	Screws for sofa components	
I	4	4 x 25	Screws for front shelf	
J	4	8MA	Nuts for sofa components	
K	4	D9 x 24	Washers for sofa components	

TANGO TOOLS

QTY.	DESCRIPTION	
1	Allen wrench 3 MM	
1	Allen wrench 4 MM	
1	Allen wrench 5 MM	
1	Allen wrench 8 MM	

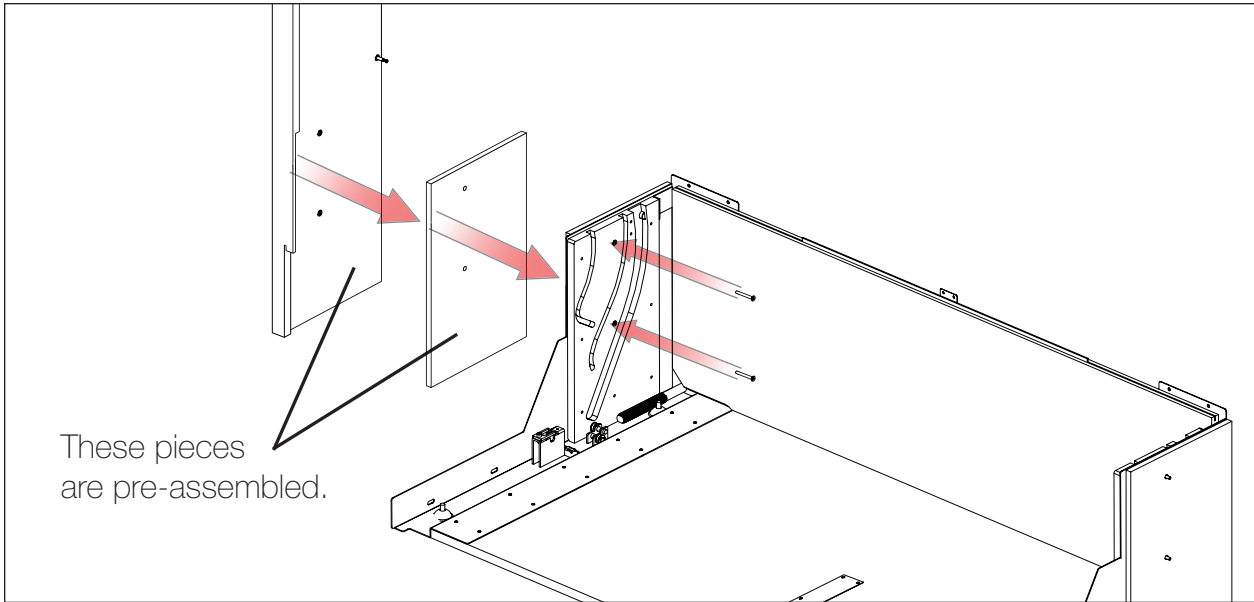
BOISERIE PANEL TOOLS

QTY.	DESCRIPTION	
M	Metal shelf pins	
N	Boilts for shelf pins	
O	Boiserie bar	
P	Wall anchors	

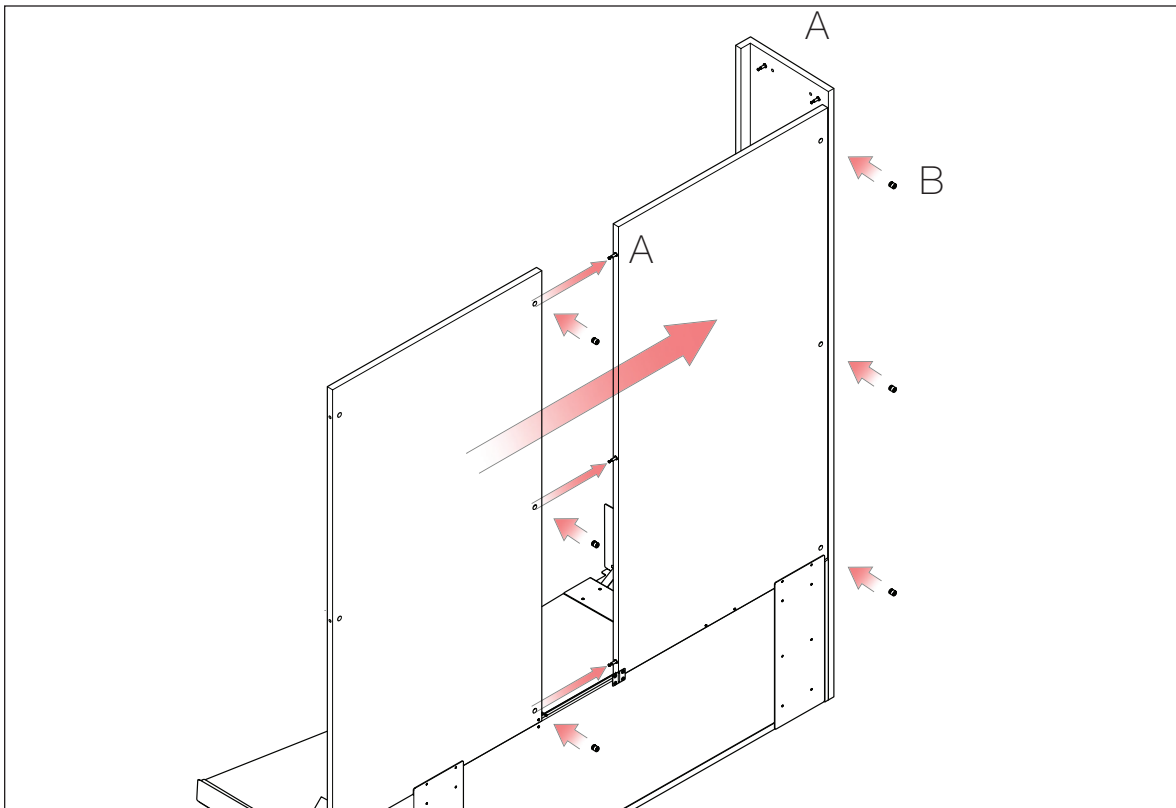
Note: The installer must determine the composition of the wall and appropriate anchors prior to installation. The wall anchors included are for solid concrete walls only.

STRUCTURE ASSEMBLY

- 1** Attach the (2) left side panel to the (4) base using 2 (D) screws.

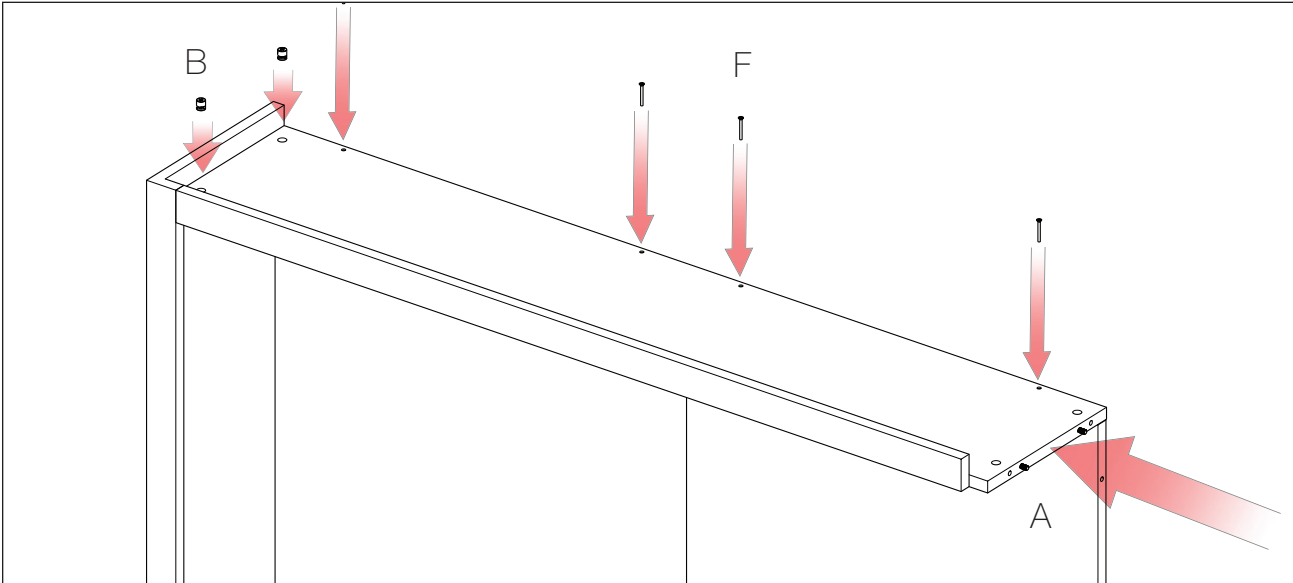


- 2** Attach the 7 left back panel to the 2 left side panel using 3 A pins and 3 B cam connectors.
Attach the 6 right back panel to the 7 left back panel with 3 A pins and 3 B cam connectors.

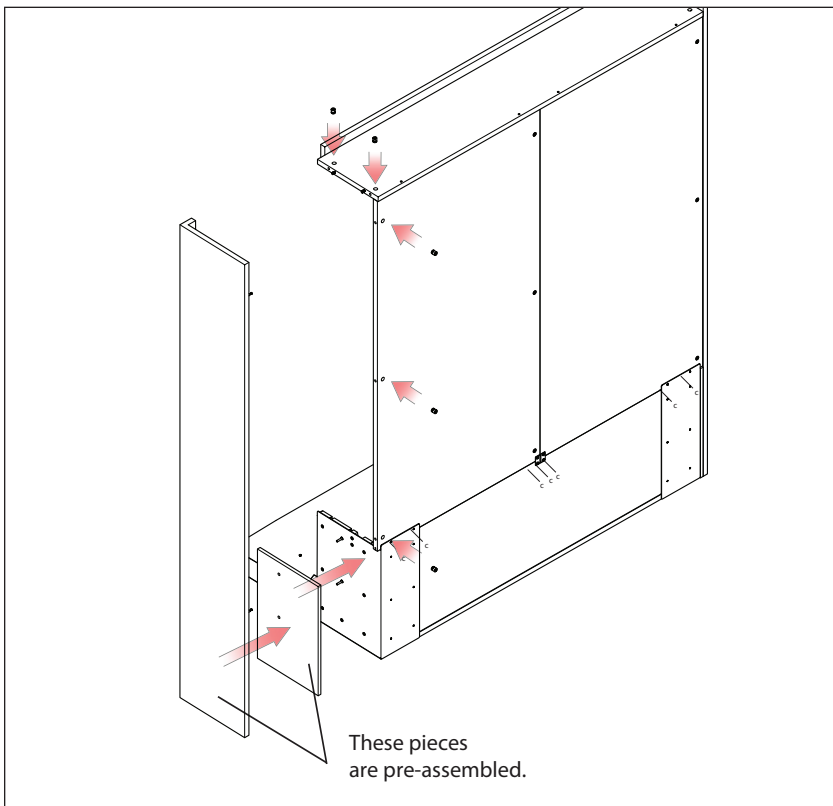


STRUCTURE ASSEMBLY

- 3** Attach the (3) top horizontal panel to the (2) left side panel with 2 (A) pins and 2 (B) cam connectors, and to the back panels with 4 (F) screws.

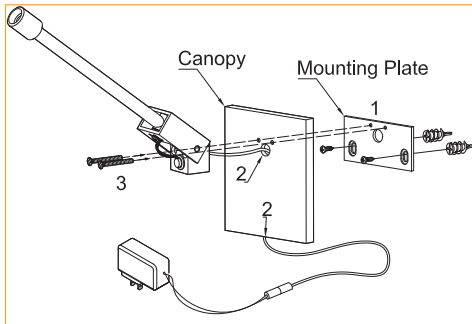


- 4** Attach the 1 right side panel to the 4 base using 2 D screws, and to the top horizontal panel and back panels with 5 A pins and 5 B cam connectors. Secure the back panels to the base using 7 C screws.



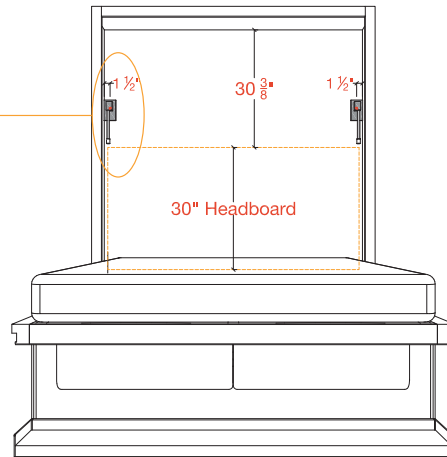
OPTIONAL WAND LIGHTING

- 5** Drill $\frac{1}{2}$ " hole at $21\frac{3}{8}$ " measured downward from the inside of the top of structure and $1\frac{1}{2}$ " in from the left and or right vertical side panel (on the inside). Install mounting plate with provided wood screws.

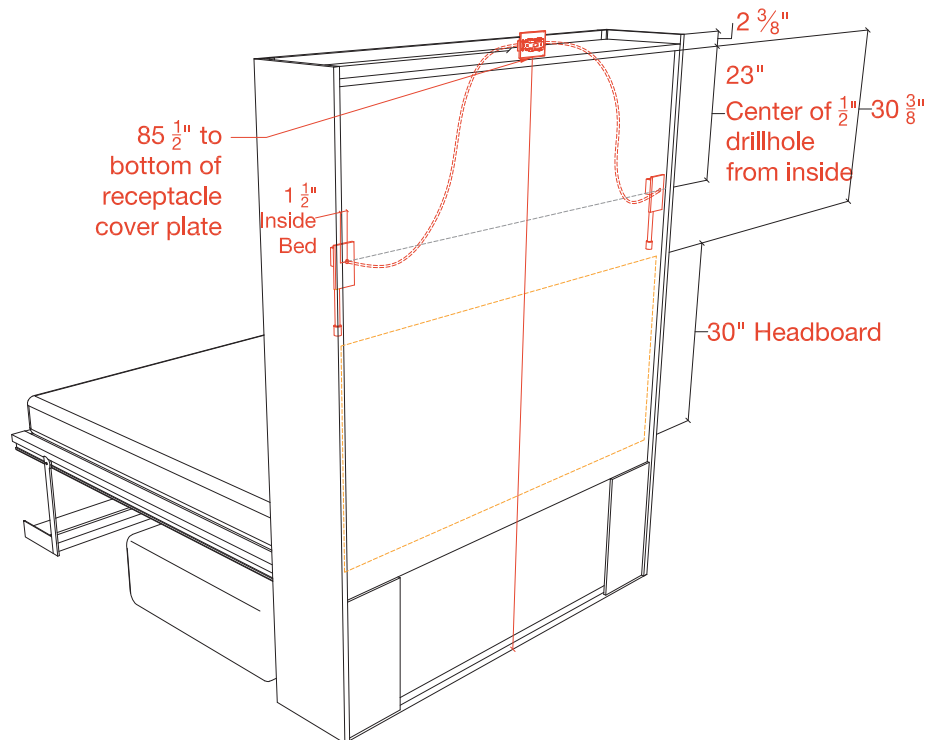


Wand Light Exploded Diagram

Cord Length = 118"



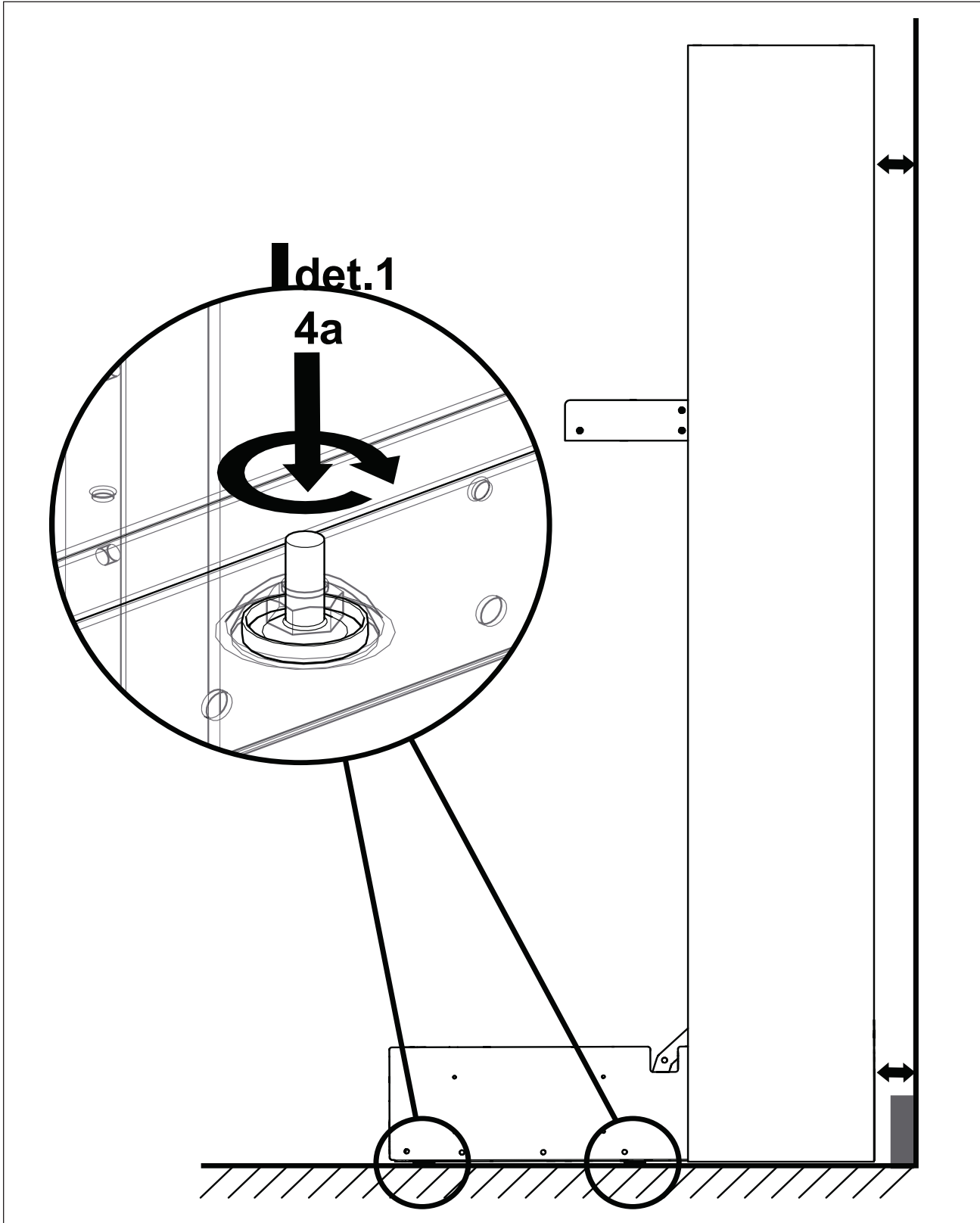
Front



Back

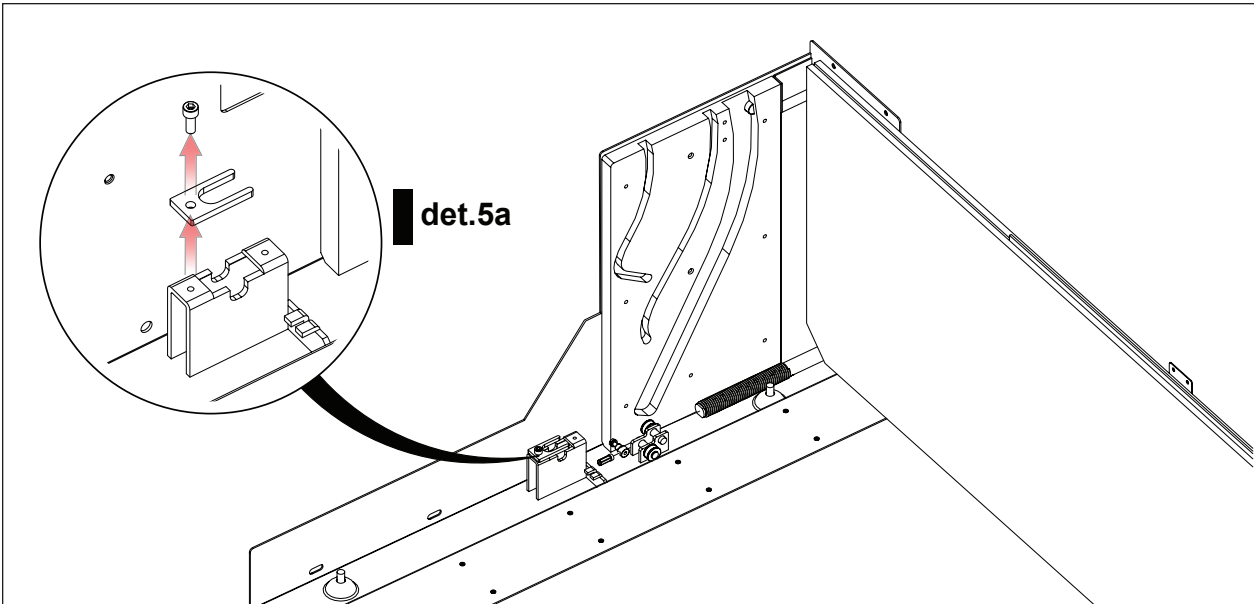
LEVELING THE STRUCTURE

- 6 Ensure that the structure is level and plumb. To compensate for any floor unevenness, use the adjustable feet on the bottom panel (det. 1 4a) to level the structure.



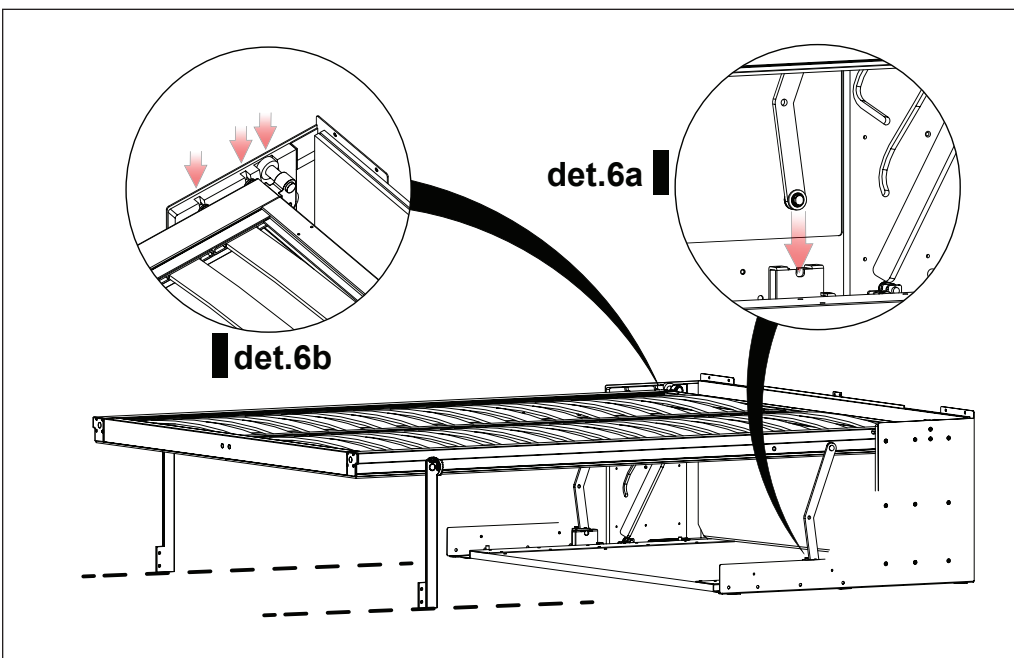
BED FRAME INSTALLATION

7 Unscrew the safety plates fixed to the (4) structure base, as shown in det. 5a.



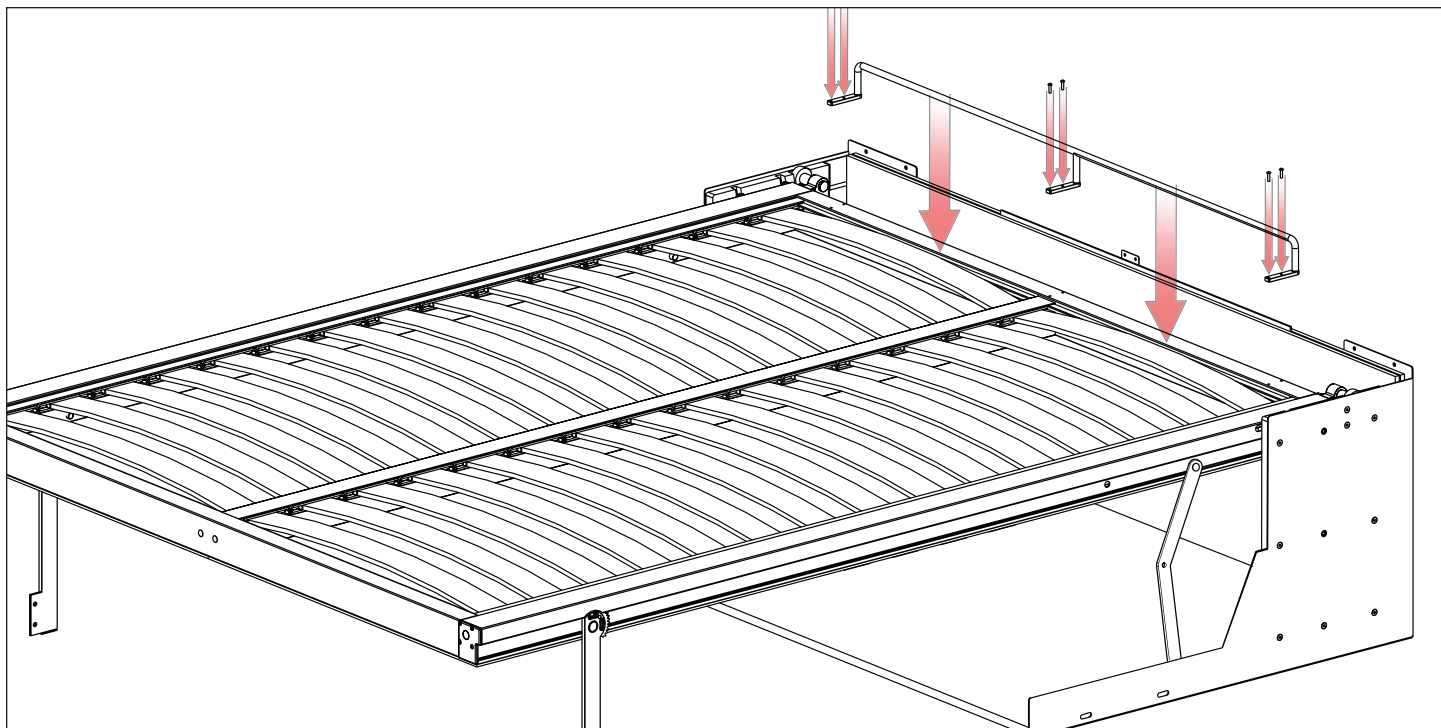
8 Position the (8) bed frame within the structure as shown. Place the levers located near the head of the bed frame into their slots as shown in det. 6a, and re-attach the safety plates from Image 5. Ensure that pins on the bedframe slide into the base of the structure as shown in det. 6b.

Note: It is recommended to USE proper floor protection around the work area, under the bed frame, so that the metal feet do not scratch the floor.

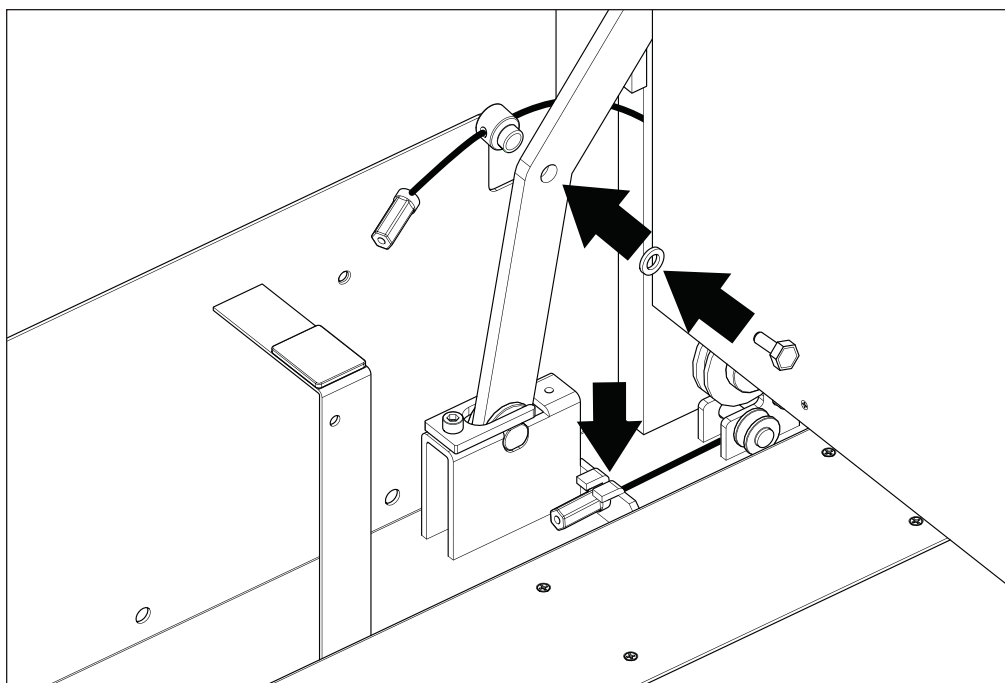


BED FRAME INSTALLATION

9 Attach the (9) mattress support bar to the bed frame using six (E) screws.



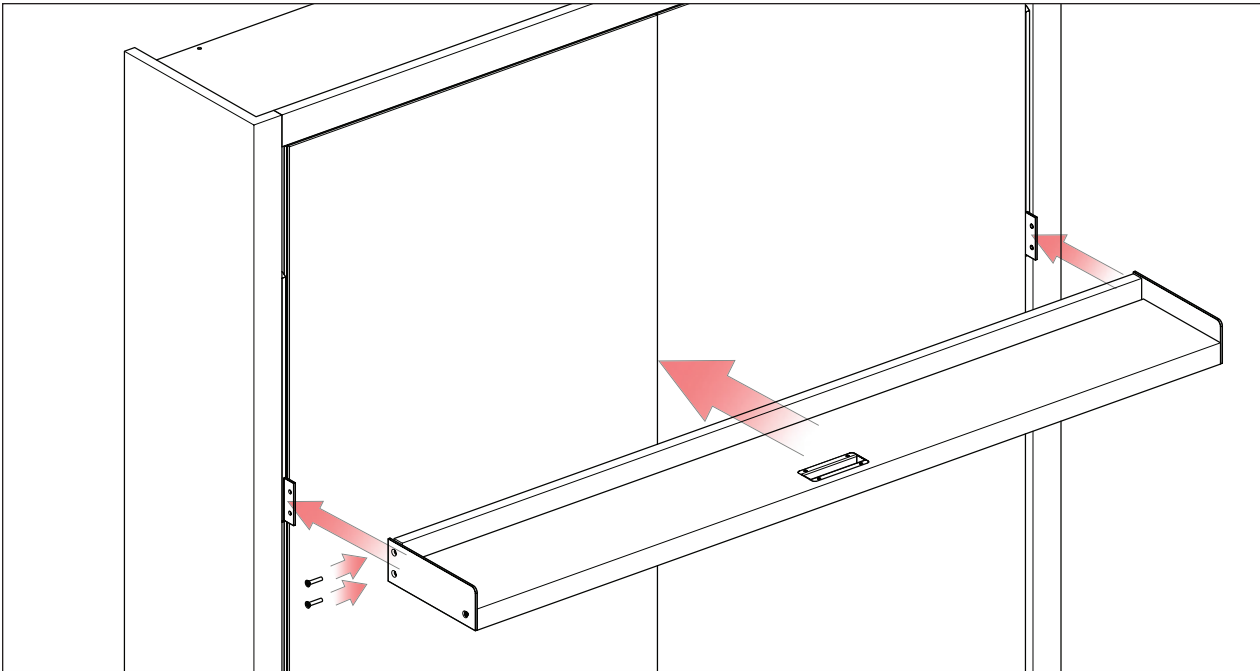
10 Lift the 8 bed frame into its upright vertical position. Screw the base pin to the lever cords, leaving the screw on the outer side. Pass the cord under the pulleys on the base 4 and secure the pins on the appropriate seat.



FRONT SHELF INSTALLATION

11

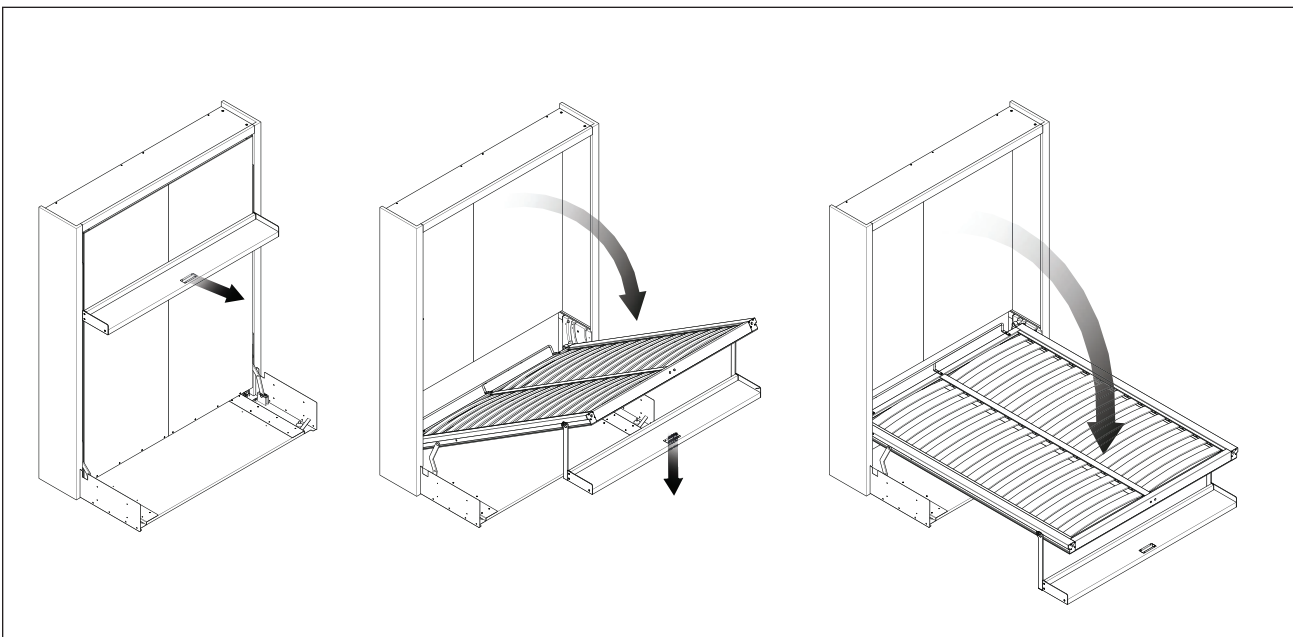
Attach the shelf to the feet of the bedframe, as shown, using 4 (I) screws.



BED OPERATION

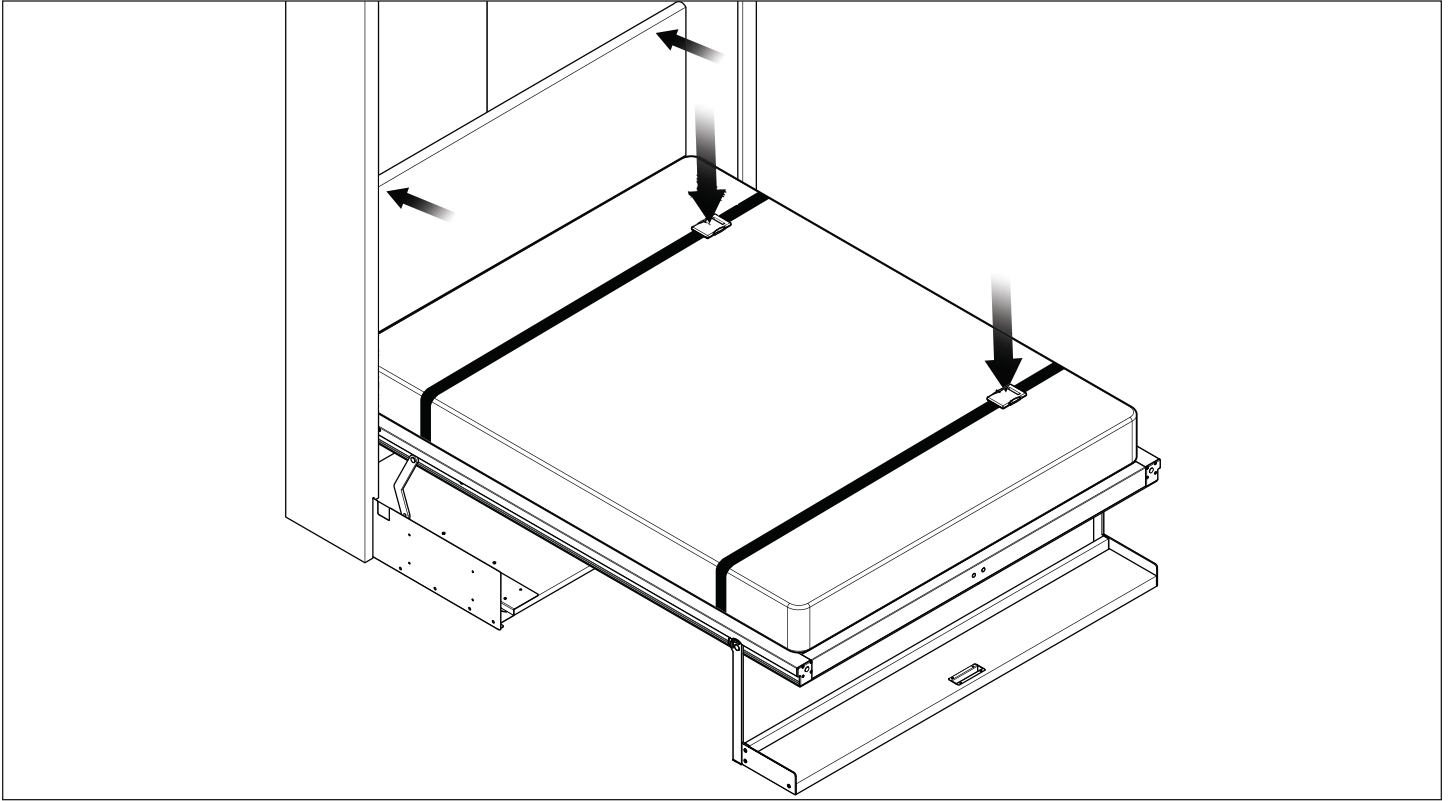
12

Grasp the handle in the center of the shelf and pull down the bed, gently accompanying the bed with both hands until it reaches the ground.



BED AND HEADBOARD INSTALLATION

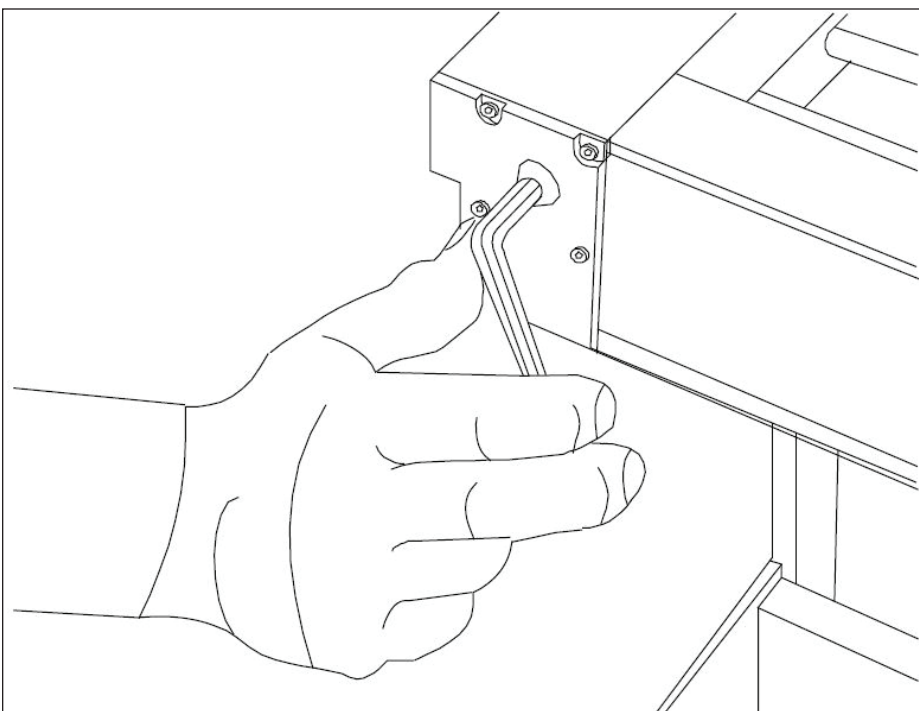
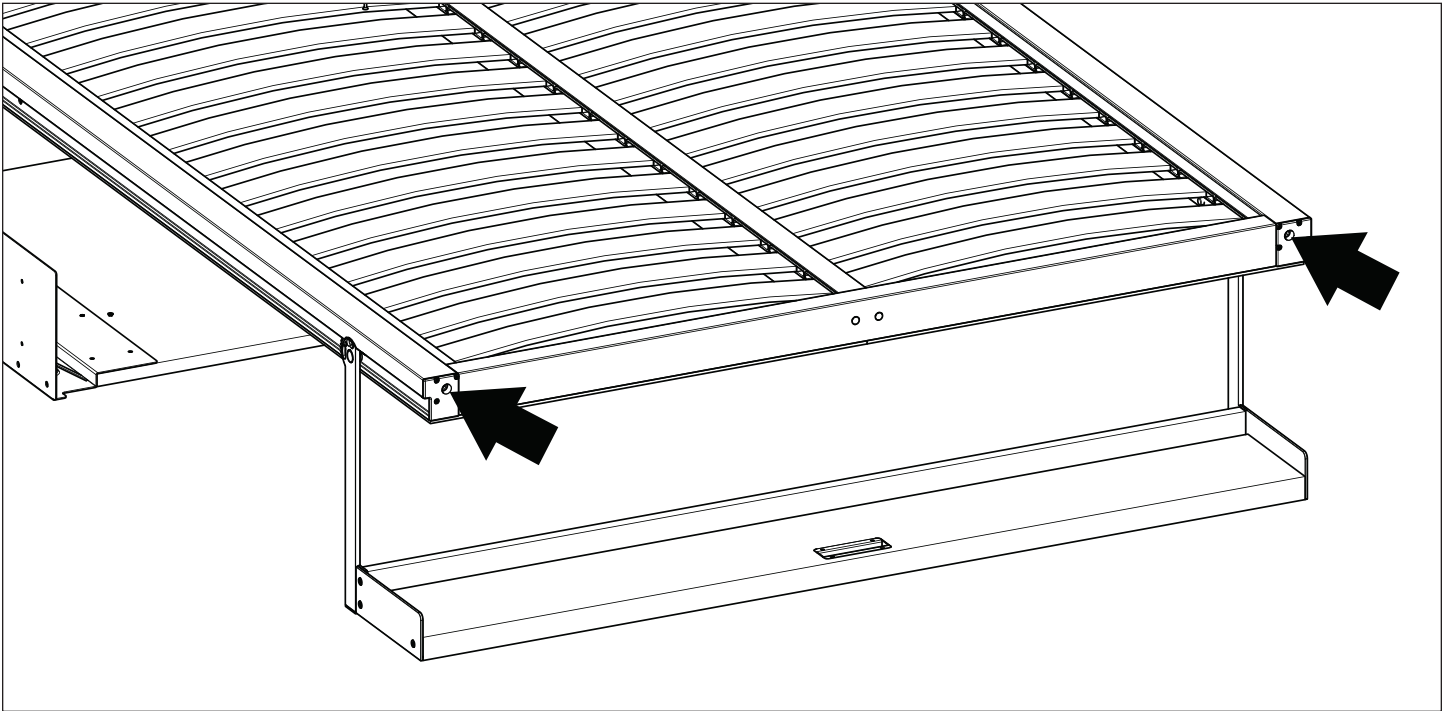
- 13** Attach the headboard (if purchased by client) to the back of the structure. Secure the mattress to the bedframe by fastening the two buckled straps.



BED FRAME ADJUSTMENT

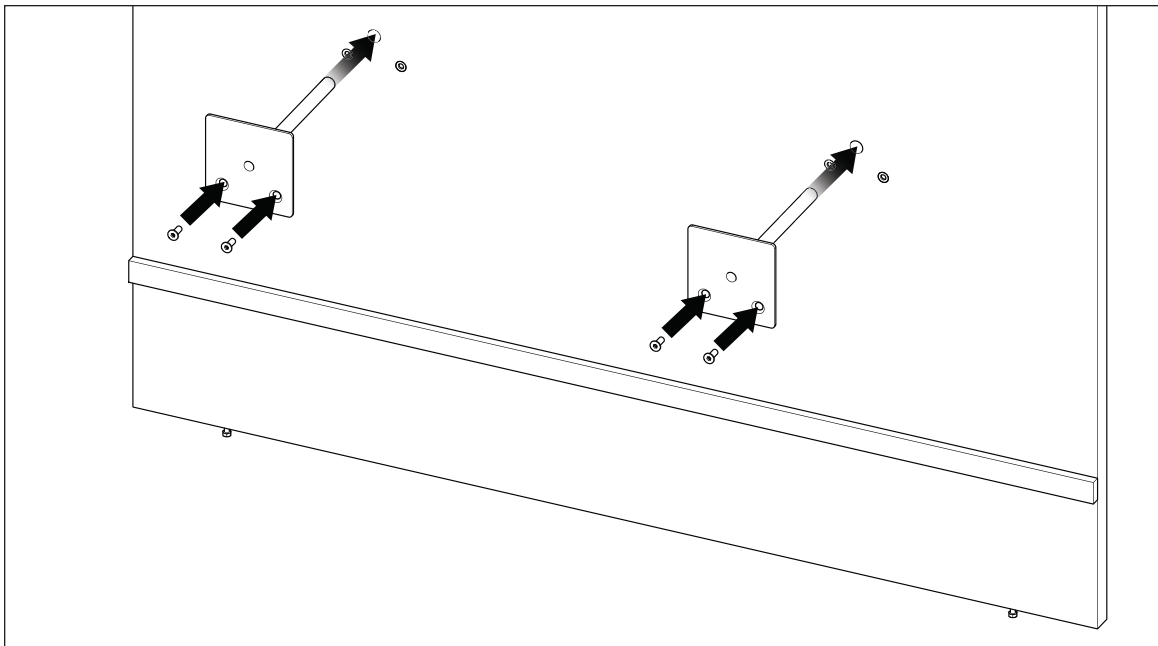
- 14 To balance the bedframe, adjust the spring tension controllers with the 8mm allen wrench provided. Turn clockwise to adjust the tension in order to close the bed with ease. ensuring that each side of the bedframe is adjusted equally.

Note: An excessive number of turns may damage the cable.

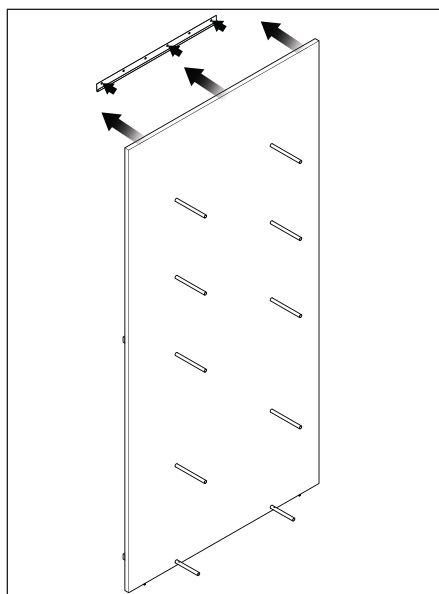


BOISERIE PANEL ASSEMBLY

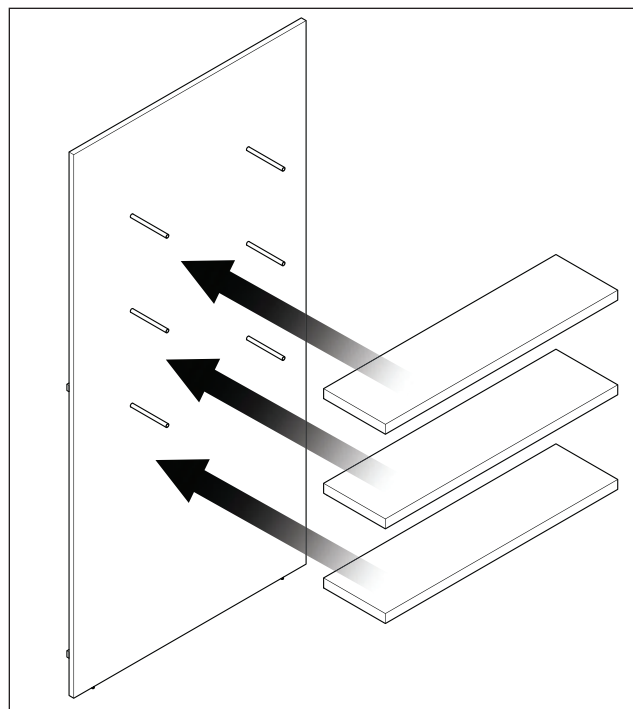
- 15** Insert and fasten the (M) metal shelf pins into the holes on the (11A) boiserie panel using 2 (N) bolts each.



- 16** Place the boiserie panel next to the bed and ensure panel is level and plumb. Attach the (O) wall bracket to the wall using the (P) wall anchors provided. Then, hang the (11A) boiserie panel on the bracket.

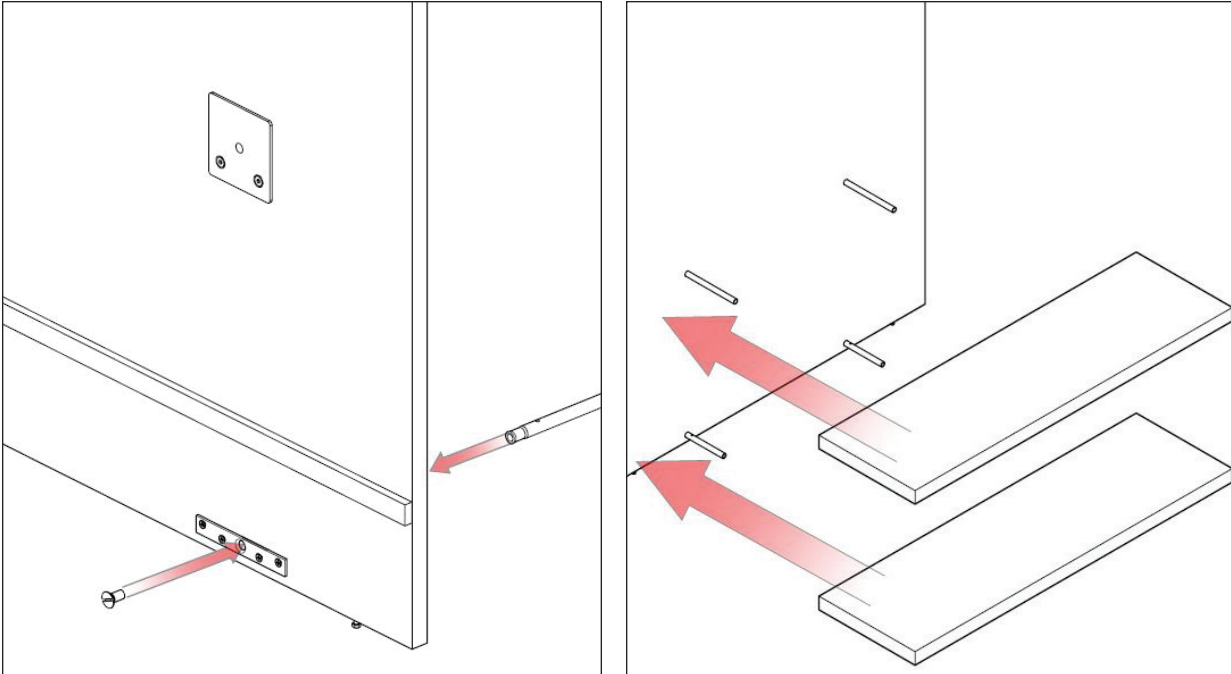


- 17** Slide the boiserie shelves (11B) over the (M) metal shelf pins.

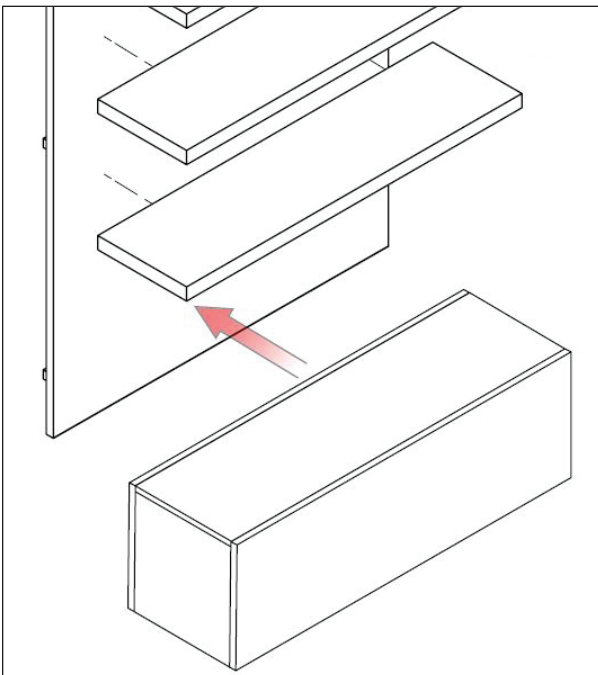


BOISERIE PANEL ASSEMBLY

- 18** Insert and fasten the (M) bottom metal shelf pins into the holes on the (11A) boiserie panel. Slide the bottom boiserie shelves over the pins.

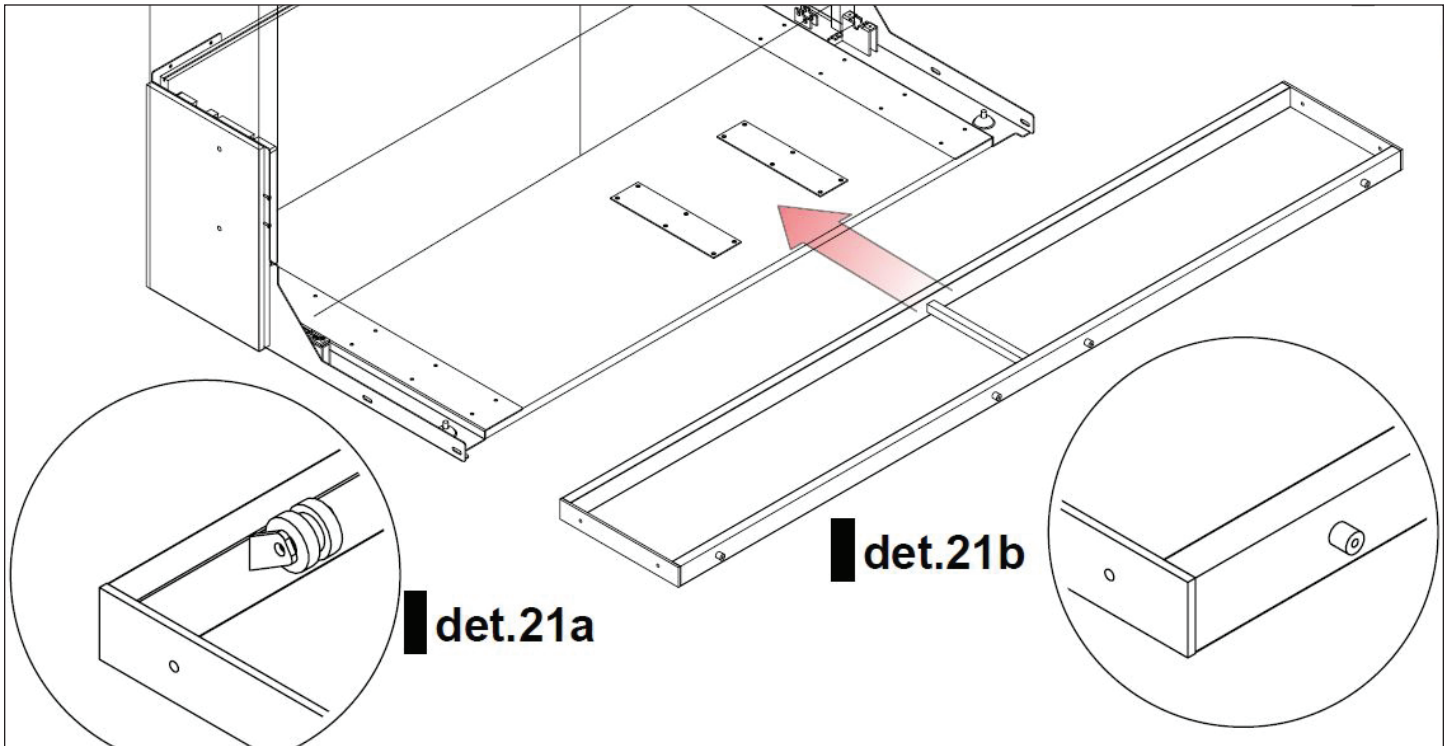


- 19** Align the (11C) storage box with the lower part of the boiserie panel.



SOFA INSTALLATION

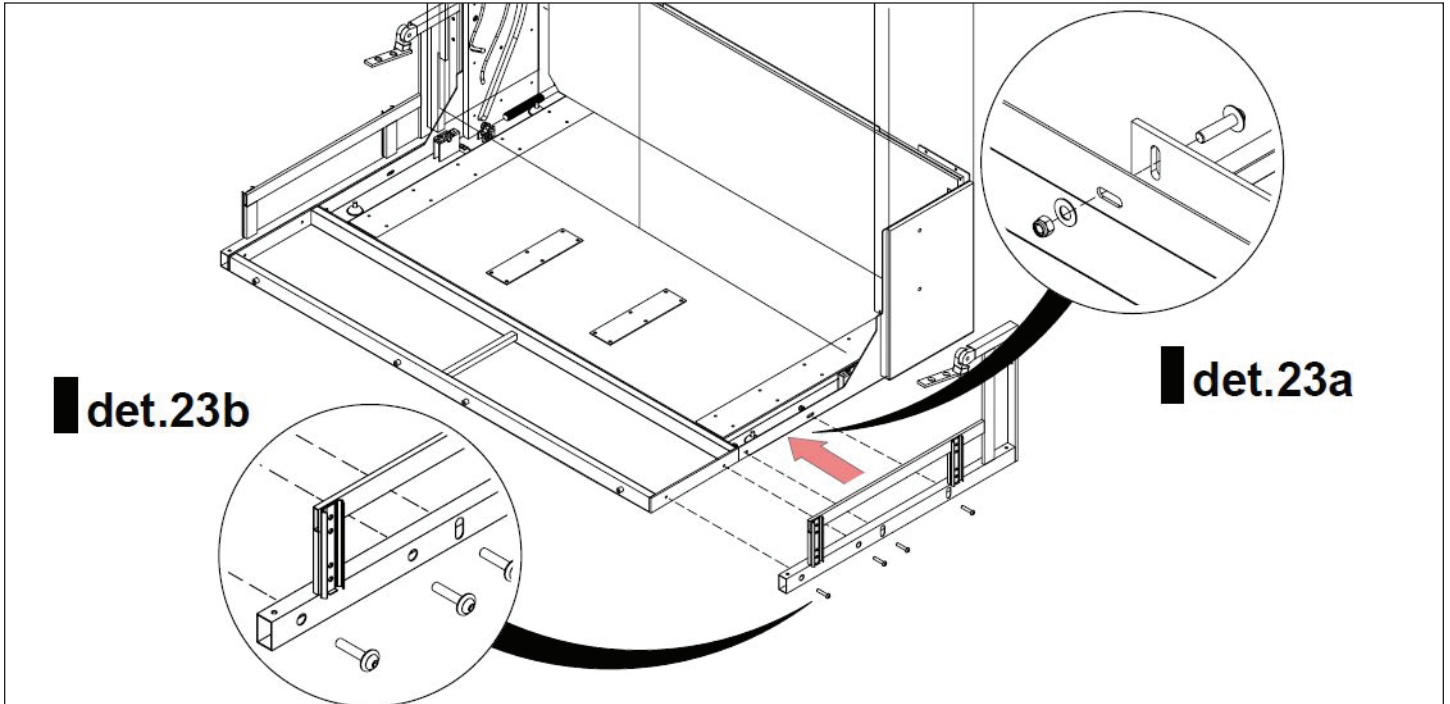
- 20** Bring the (14) sofa hardware towards the base, as shown. Sliding Sofa Seat Option: Position the metal frame with wheels facing towards the back of the bed. (det.21a). Fixed Sofa Seat Option: Position the metal frame with rubber stops facing forward (det. 21b).



SOFA INSTALLATION

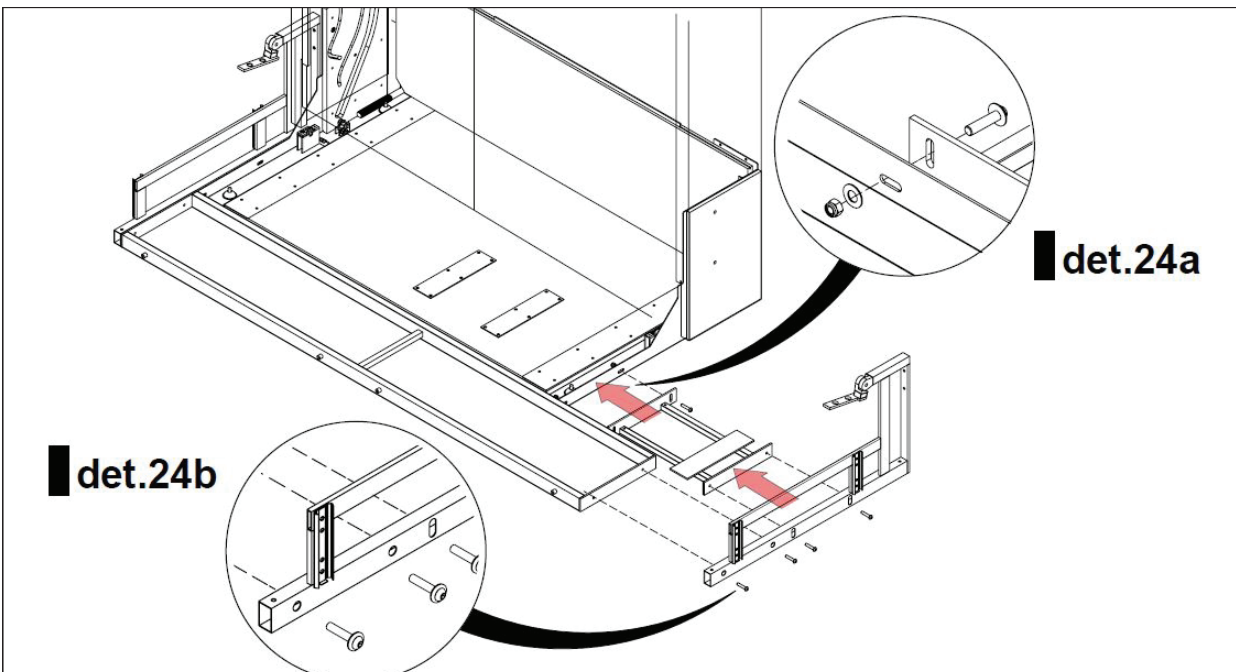
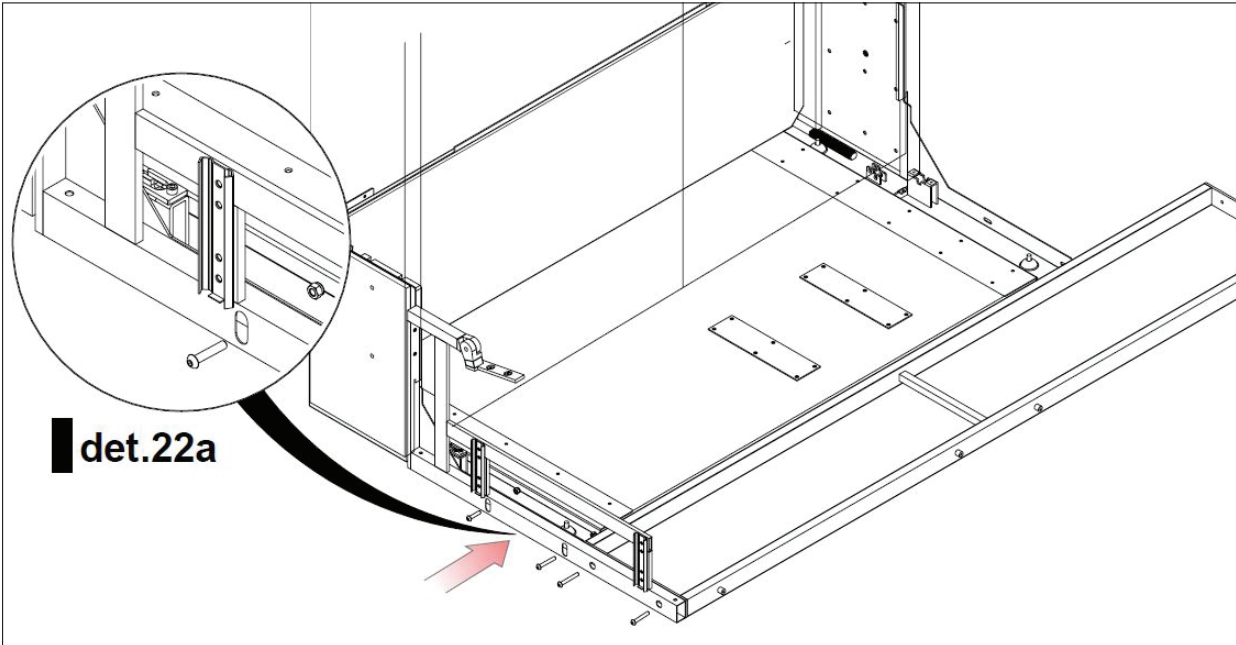
21

Attach both the (12) left and (13) right metal arm brackets to the (4) base using 2 (H) screws, 2 (J) nuts, and 2 K washers, as shown in det. 22a. Attach both the (12) left and (13) right metal arm brackets to the (14) fixed/sliding sofa base with 2 (H) screws, as shown in det. 22b.



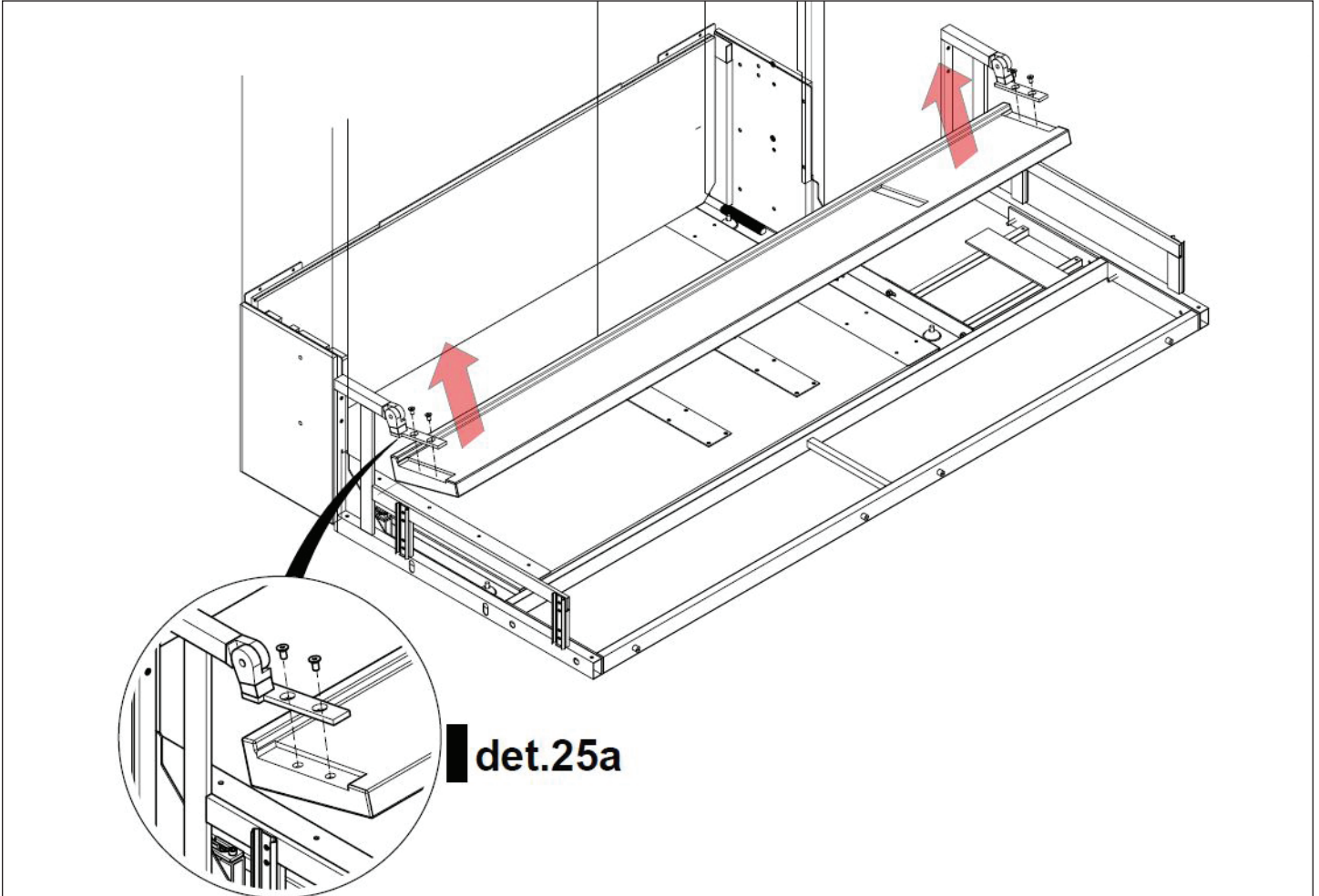
SOFA INSTALLATION

- 22** The Tango 270 features a sofa component that will extend past the width of the structure to one side, as previously determined by the client. In the example below, the sofa extends to the right of the structure. Attach the 12 left metal arm bracket to the 4 base using 2 H screws, 2 J nuts, and 2 K washers, and to the 14 fixed/sliding sofa base with 2 H screws. Attach the 15 sofa base extension to the 4 base using the using 2 H screws, 2 J nuts, and 2 K washers, as shown in det. 24a. Then, attach the 13 right arm bracket to the 15 sofa base extension and to the 14 fixed/sliding sofa base with 4 H screws, as shown in det. 24b.



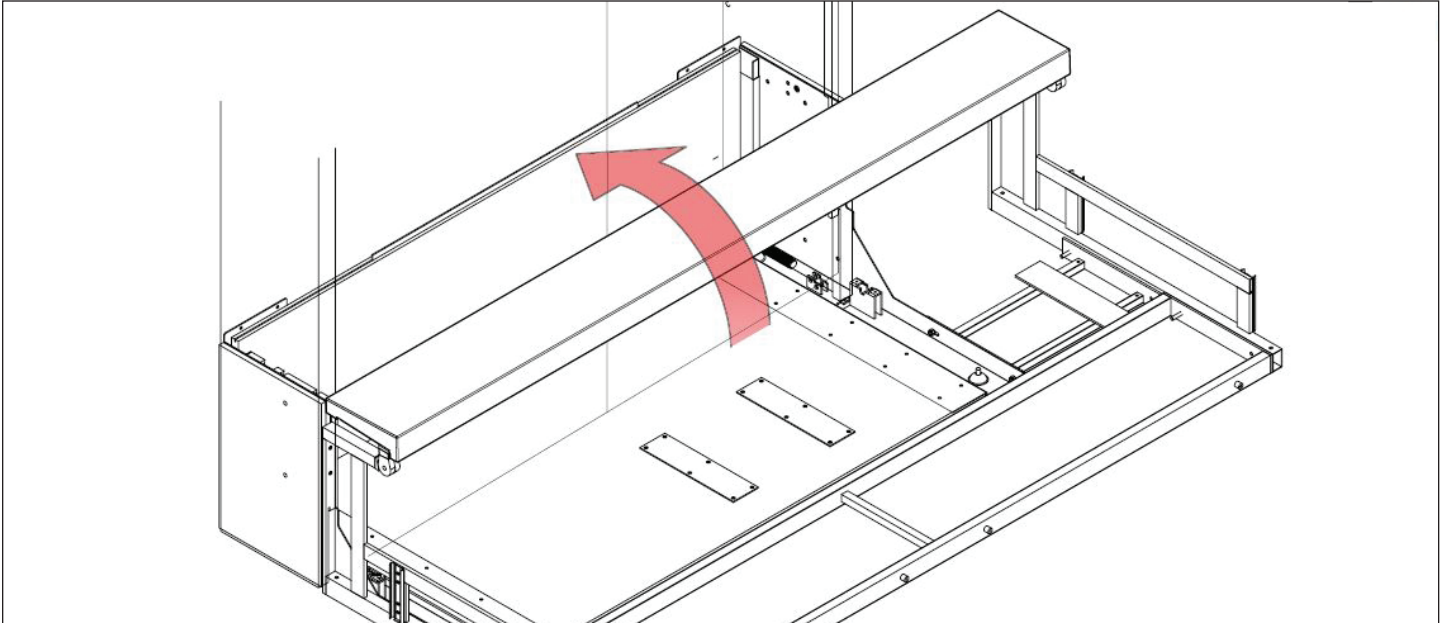
PADDED BACK BAR INSTALLATION

- 23** Position the (20) padded back bar to align with the predrilled holes on the (12) left and (13) right arm brackets, and secure using 4 (G) screws, as shown in det. 25a.



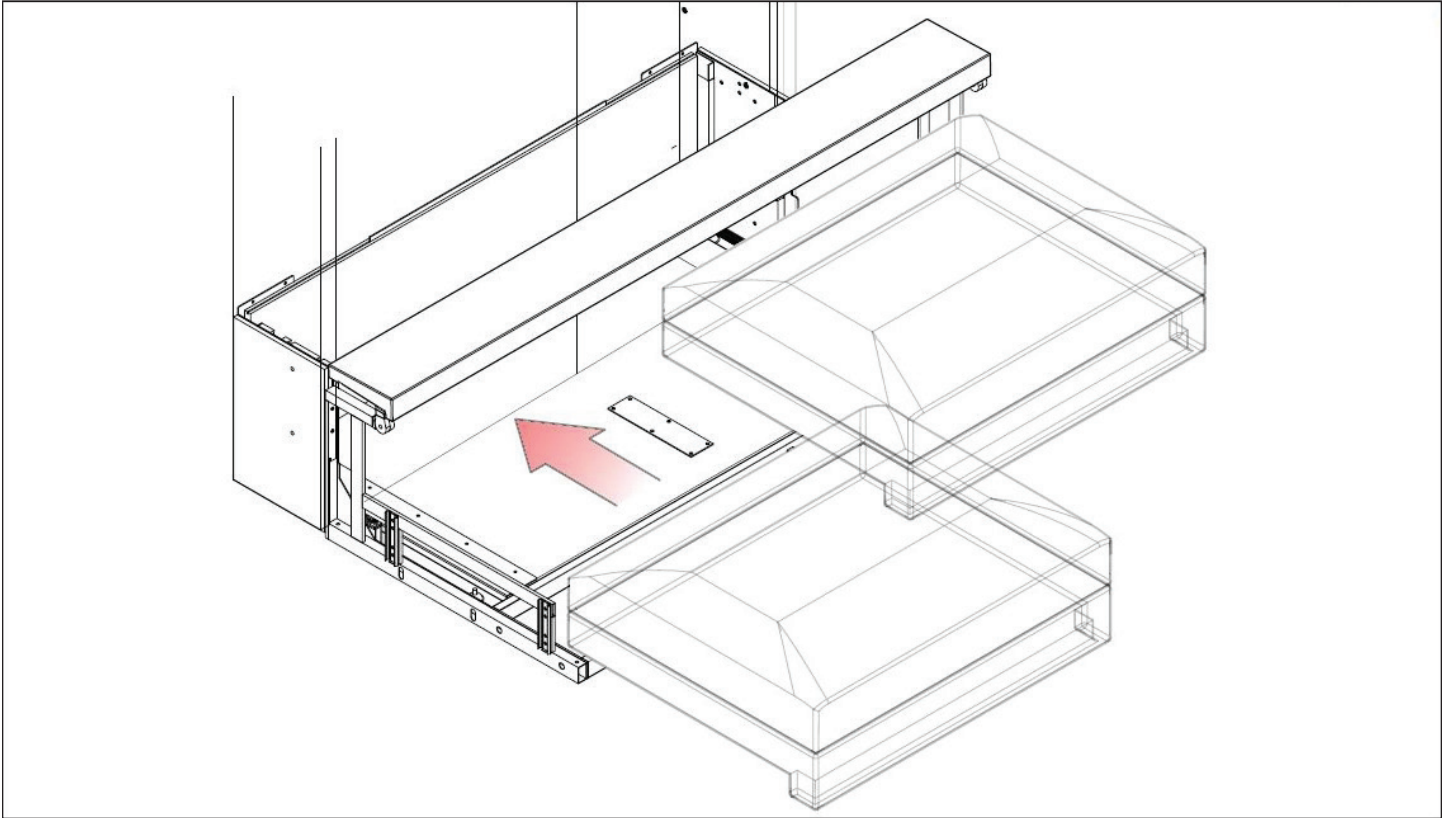
PADDED BACK BAR INSTALLATION

- 24** Flip up the padded back bar. The arm brackets have a mechanism that will lock the bar in place at various points; you must fully flip the bar down to unlock the mechanism in order to bring the bar back to its 'up' position, as shown.

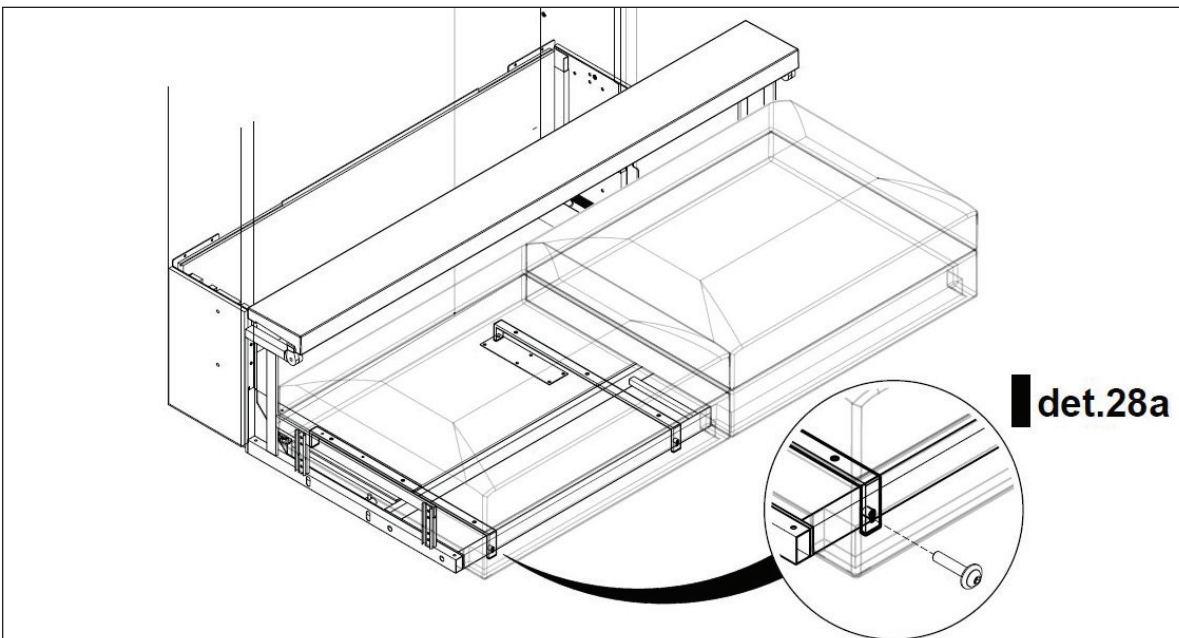


FIXED SEAT INSTALLATION

- 25** Position the (16) right and (17) left sofa seats to align with the predrilled holes at the front of the sofa base, as shown. Left/right labels are at the bottom of each seat.

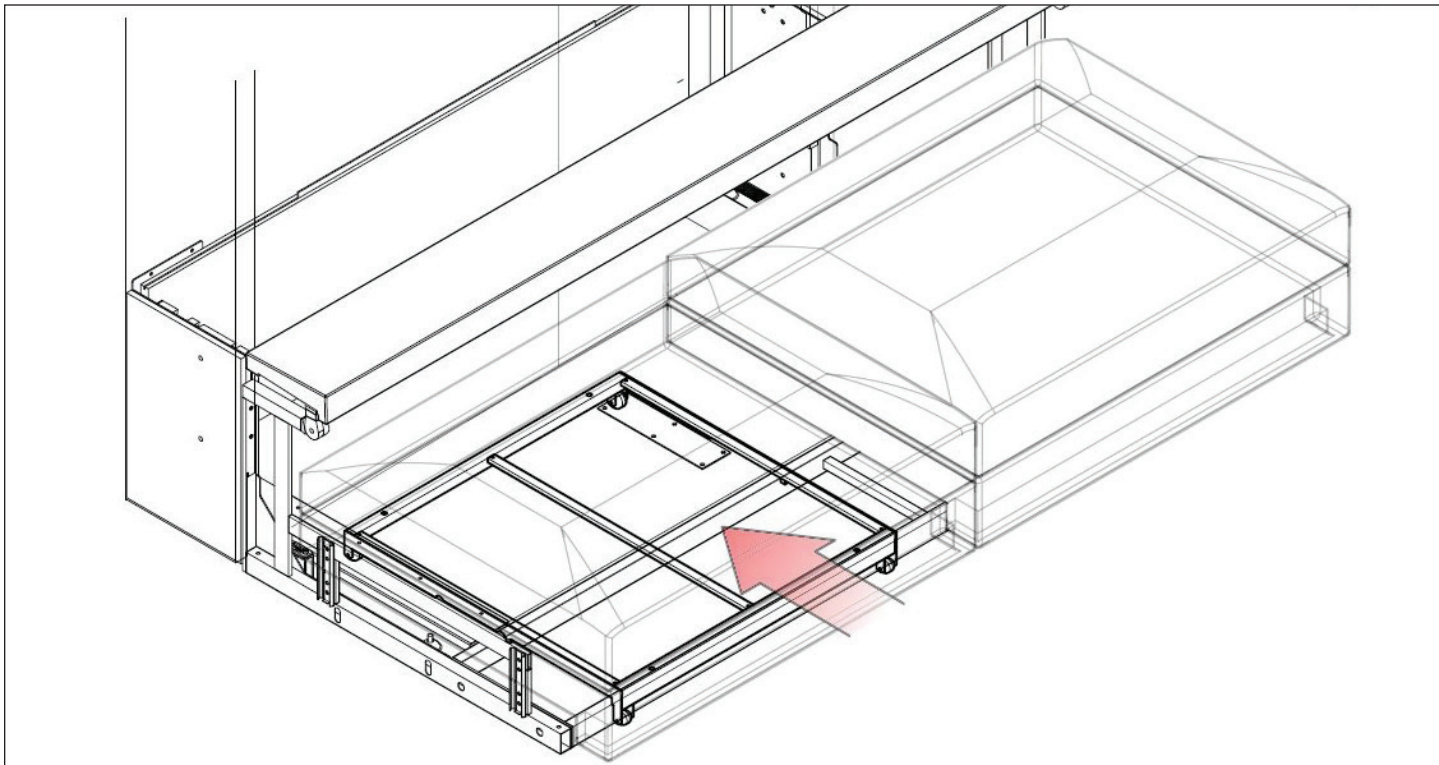


- 26** Attach the 16 right and 17 left sofa seats to the sofa base through the predrilled holes in each seat using 4 L screws (detail 28a).

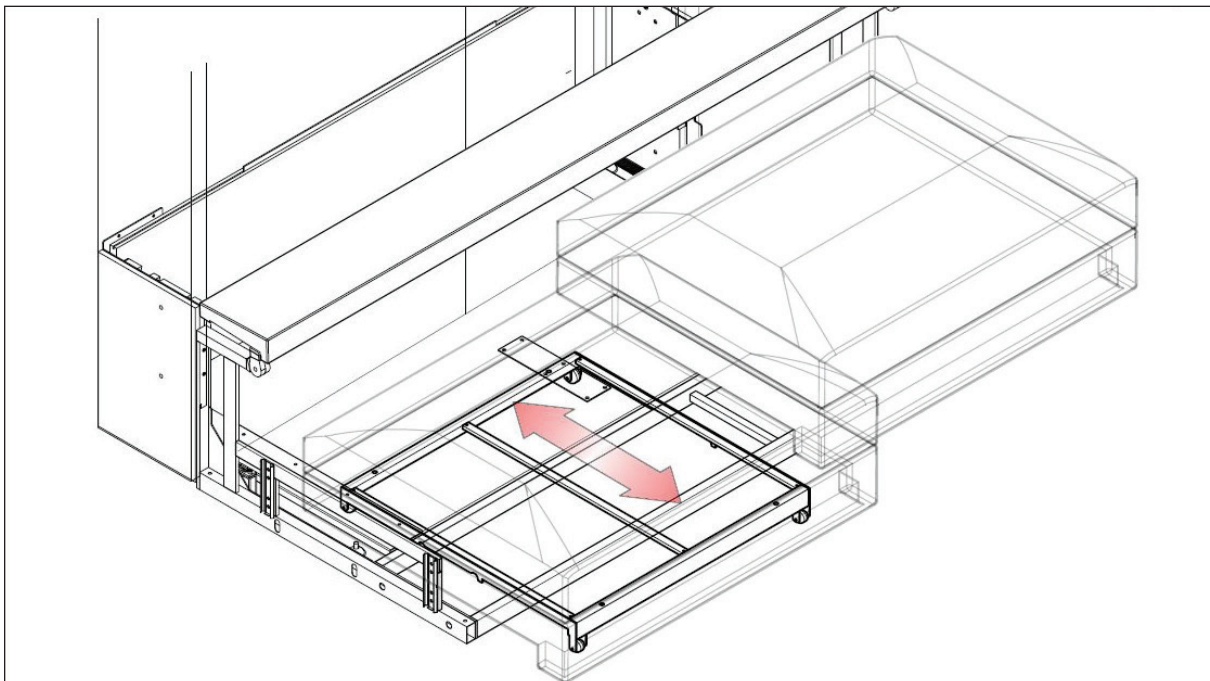


SLIDING SEAT INSTALLATION

- 27** Position the (16) right and (17) left sofa seats in the sofa base, as shown. Left/right labels are at the bottom of each seat. The side of the seat that slopes downwards should be closest to the structure.

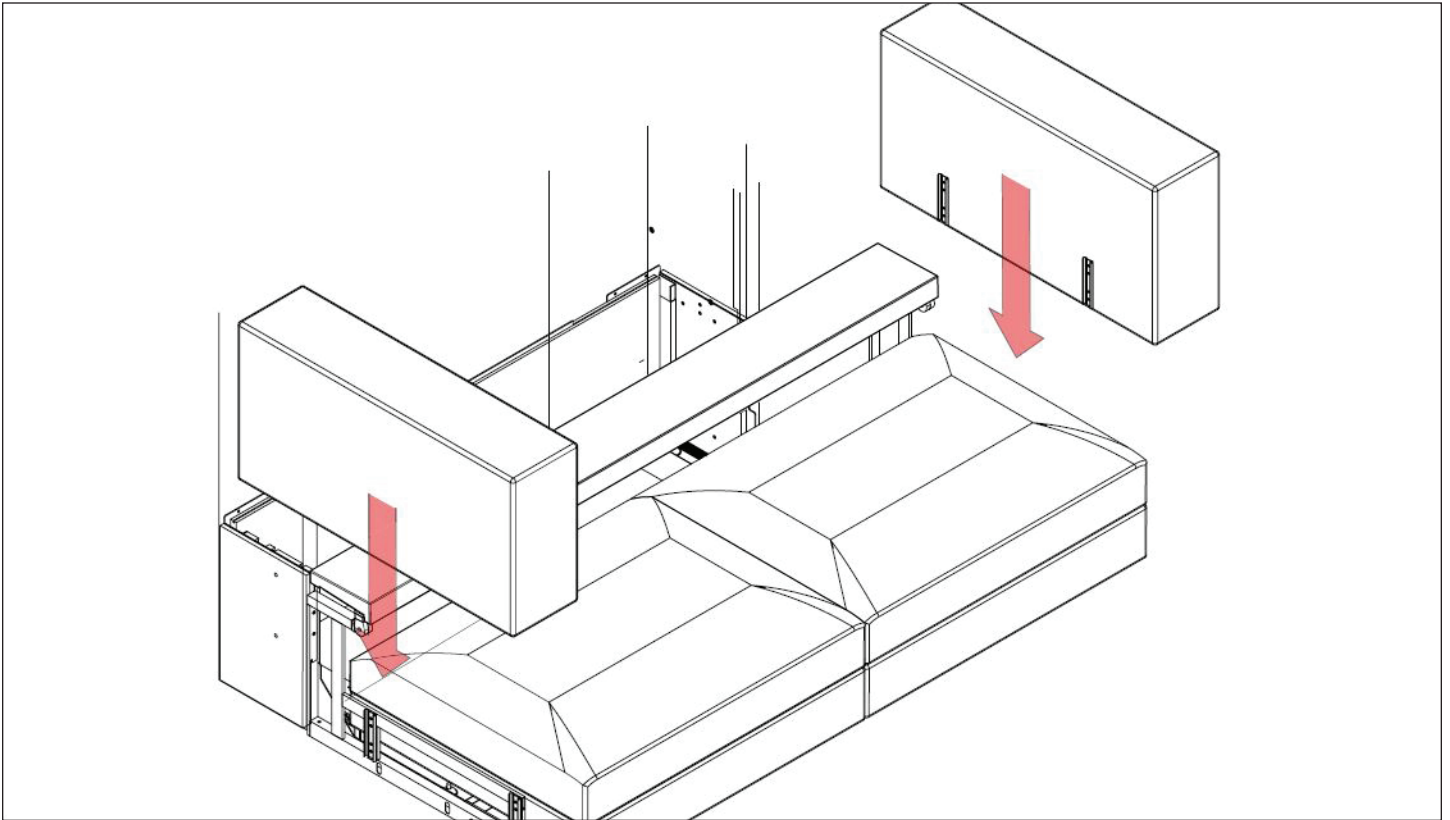


- 28** The sliding sofa seat can be extended out to a maximum of 200mm (7.9inches).

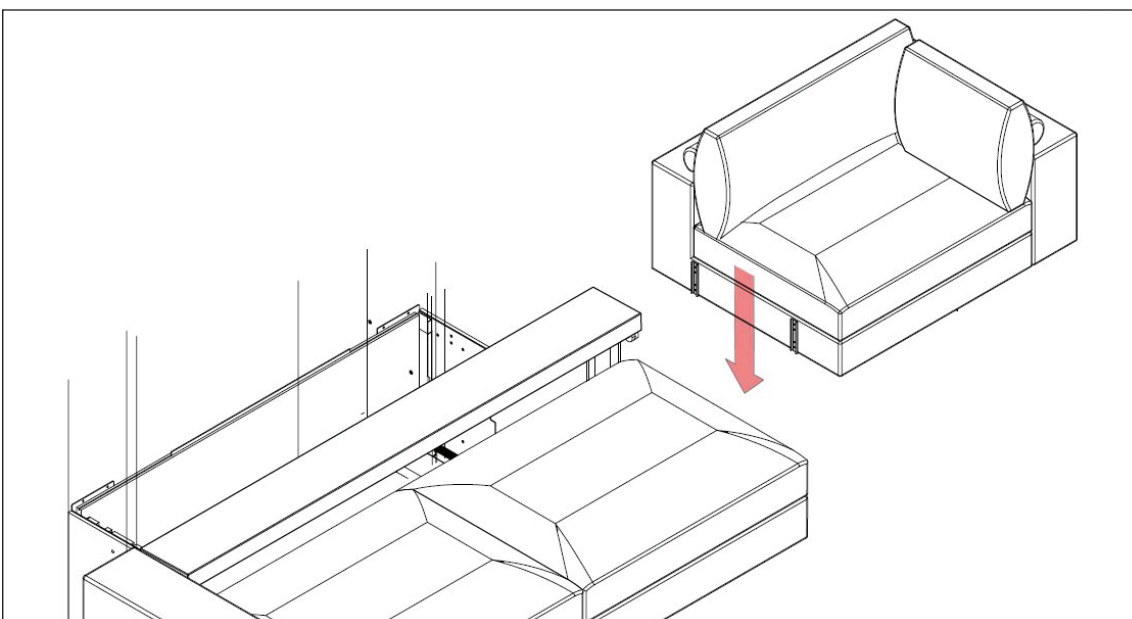


ARMRESTS INSTALLATION

- 29** Secure the (18) left and/or (19) right armrests to the (12) left and/or (13) a right metal arm brackets by sliding the armrests into the metal tapers. The armrests are labeled left/right.

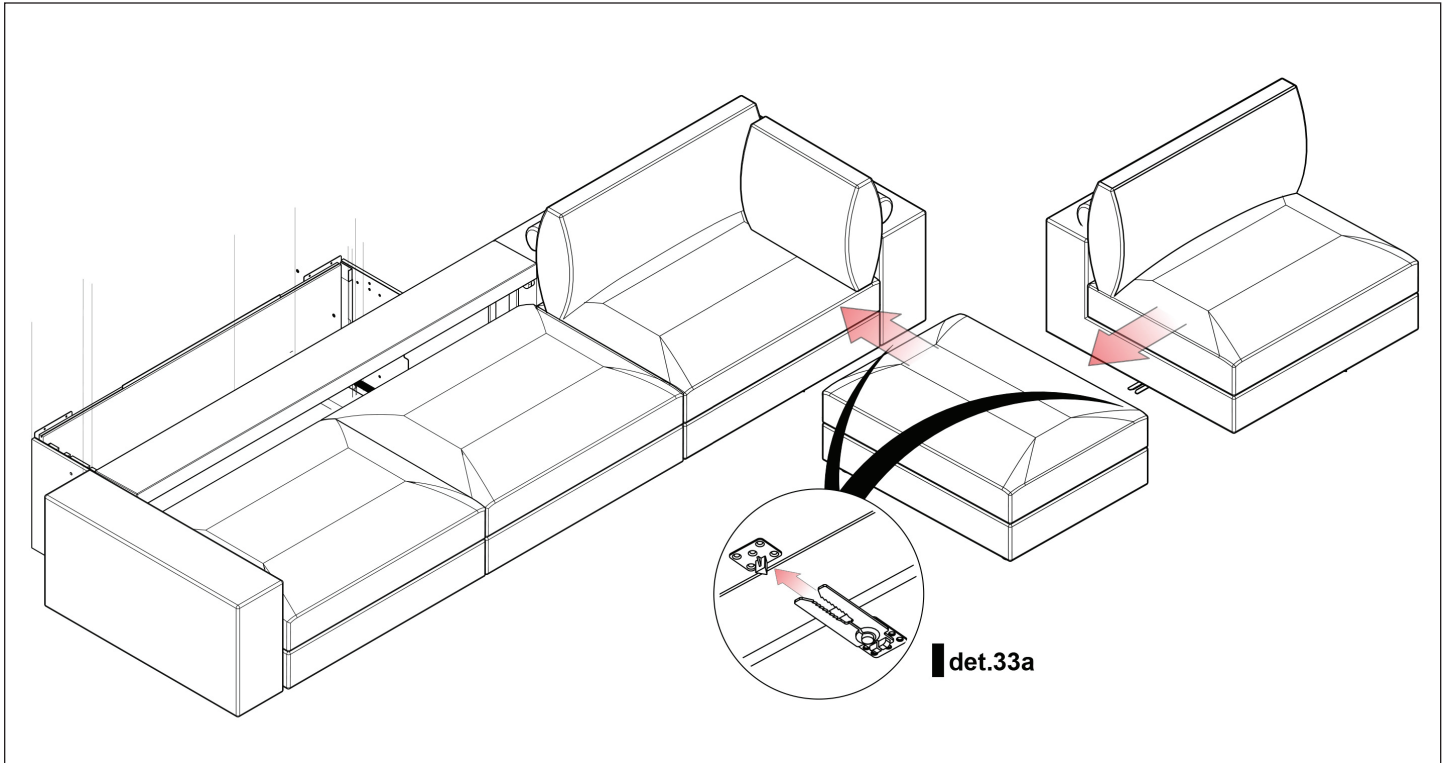


- 30** The Tango Sofa system is modular and can feature a number of seats that can extend to the left or right of the main sofa structure. Components that are placed next to the main sofa structure are also attached using metal tapers.



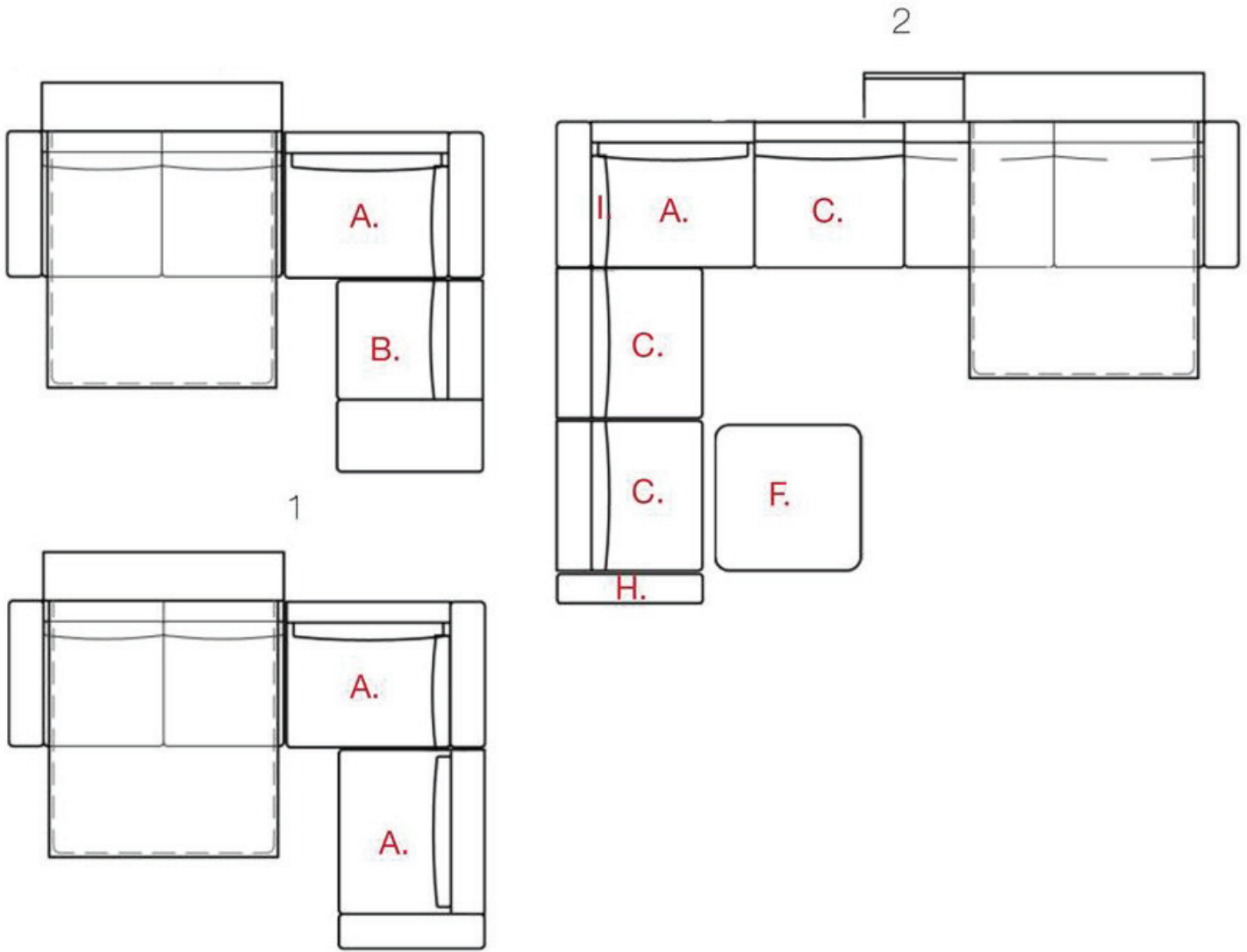
MODULAR SEATS INSTALLATION

- 31** The rest of the (optional) modular seats are attached to each other using a fork and pin system (illustrated in det. 33a) that holds the entire system together and locks with a click. To disassemble, lift the piece equipped with the triangular pin about 1inch to clear the fork.



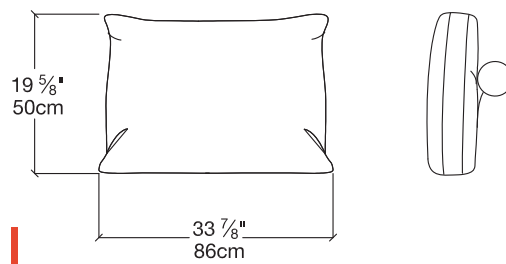
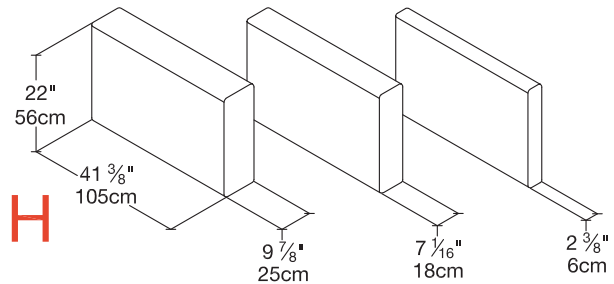
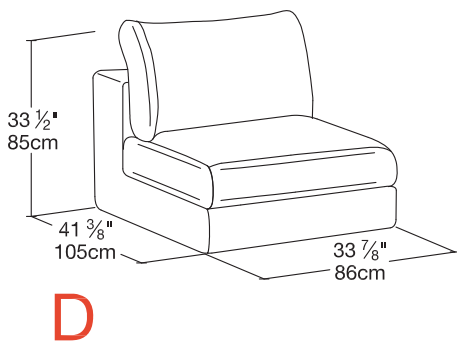
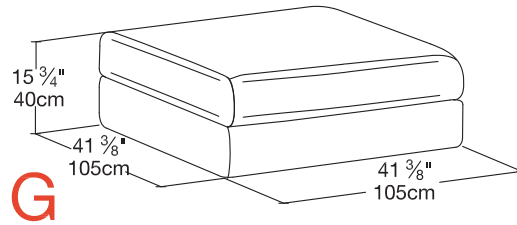
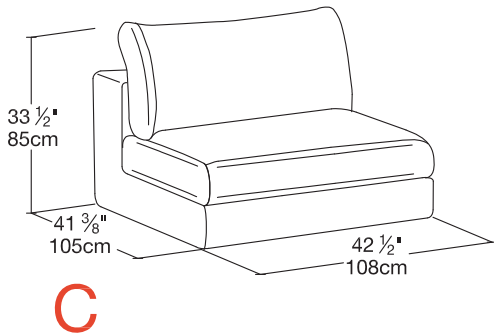
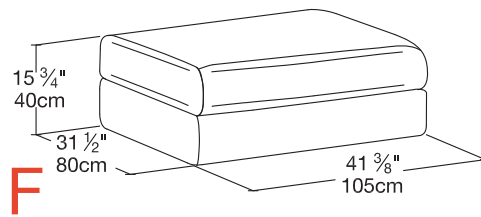
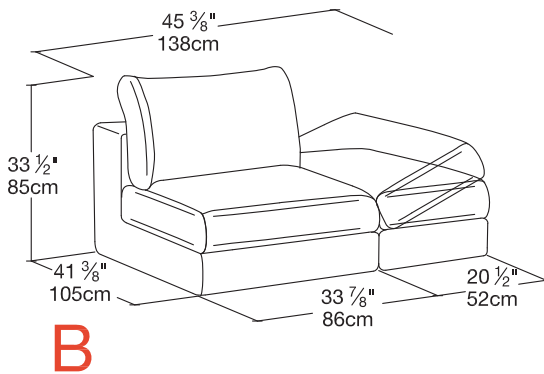
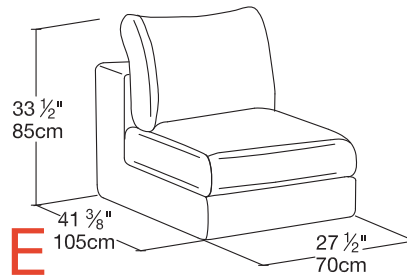
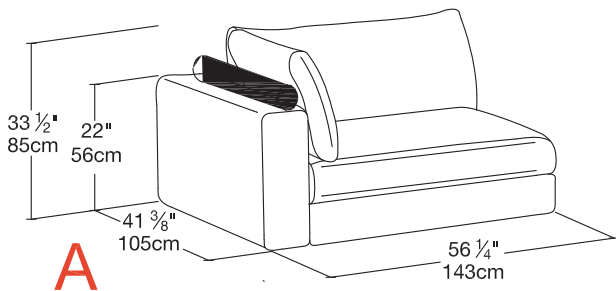
CONFIGURATION EXAMPLES

TANGO 270



CONFIGURATION EXAMPLES

TANGO 270



SAFELY OPERATING YOUR TANGO BED

OPENING YOUR TANGO WALL BED

1

Remove the sofa cushions.

Flip down the back bar that supports the sofa cushions



2

Grasp the handle located in the middle of the shelf and **pull** with one hand, while supporting the top of the bed frame with the other as you walk backwards, allowing the bed frame to **descend under control**. Make sure to support the bed frame for the entire descent until the shelf is firmly resting on the floor.

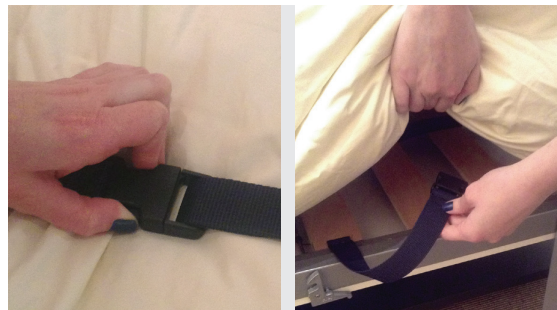


3

Release the two mattress **straps** by squeezing the center of the clasp. **Tuck** the **straps** under the mattress.

4

Sleep!



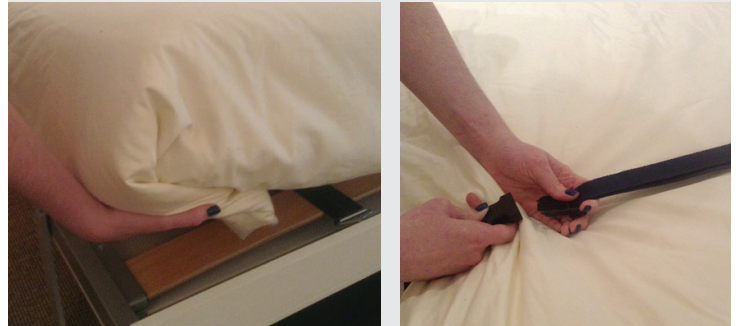
SAFELY OPERATING YOUR TANGO BED

OPENING YOUR TANGO WALL BED

1

Remove pillows and **tuck bedding in** on all sides around mattress.

Close both mattress **straps** around the bedding.



2

Stand in the middle of the bed, **grasp front edge** of bed frame and lift.

Continue to **lift bed frame** as you walk forward toward wall.

Push bed frame into structure until the bed frame is completely vertical.

Replace cushions.



Just one more thing – you can stand on principle, but never stand on the sofa!

NOTE: Your Tango is designed so that most bedding can remain on the bed when closed. If you experience difficulty closing the bed, your bedding might be too thick.

