

Assembly Instructions









Penelope 2 Dining



resource

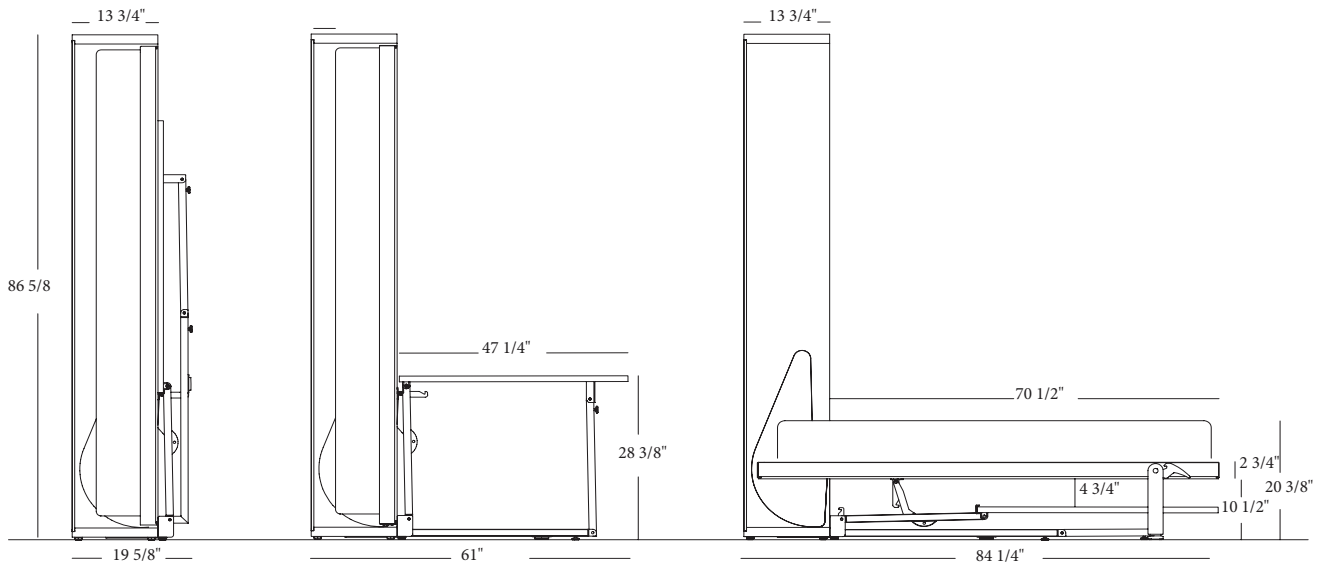
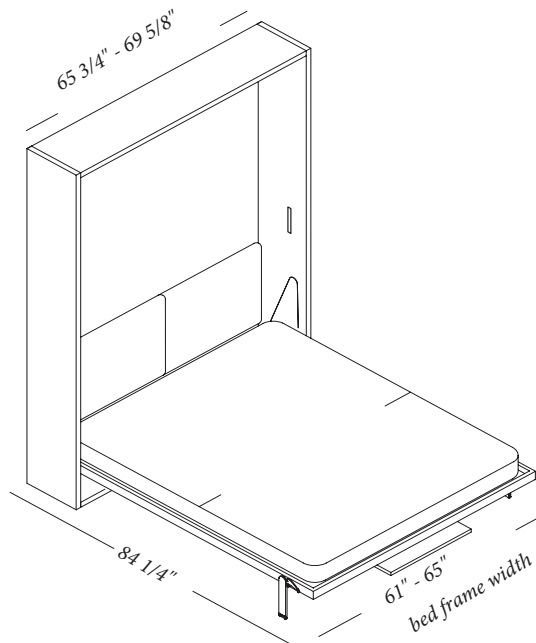
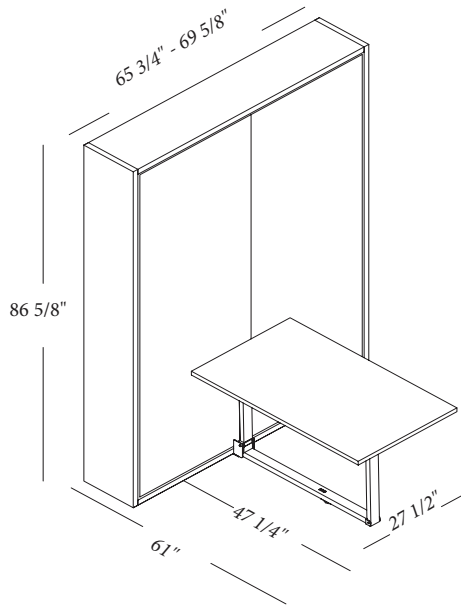
WARNING

READ CAREFULLY BEFORE BEGINNING INSTALLATION. IMPROPER INSTALLATION OF THE PRODUCT MAY CAUSE SERIOUS INJURY. KEEP THIS INFORMATION FOR FUTURE REFERENCE

-  Installation or any further adjustments must be performed by a licensed contractor or a trained professional, who will ensure proper assembly and installation.
-  Installation must be performed by at least 2 people.
-  Improper installation of this product can cause serious or fatal injury. Improper installation may result in permanent damage to the bed.
-  The wall bed must be secured to the wall in FOUR locations using appropriate hardware. The contractor or installer must select the proper anchoring hardware based on the wall material. It is necessary to ensure that wall anchors of the bed can withstand forces generated. The value of the holding power (Fh) of each anchor should be 630 Newtons (142 lbf).
-  All hardware must be properly tightened. No parts of the model should be left loose or unstable.
-  In case of re-assembly or re-installation of the product, DO NOT USE the same holes drilled for original installation. Rather, the anchors, plates and plugs selected by the re-installer must be placed in a different, secure position. Never remove wall attachment screws without first removing the mattress, bed frame and hydraulics/pistons.
-  It is the owners responsibility to periodically inspect the bed to make sure that the anchors are strong and show no signs of weakening (for example if you feel that the anchor screws are moving when pulling on the cabinet of the bed). Do not use the wall bed if the cabinet moves and do not open the bed if you are not sure that it is securely attached to the wall, because it could tip over causing serious injuries. When in doubt about the anchoring, please stop using the bed immediately and have it inspected by a professional.
-  It is recommended to assess the structural integrity of the floor and wall to make sure that the wall anchoring devices can withstand the forces generated. More specifically, before installing the wall bed, it is necessary to verify that the floor and the wall on which you want to install the bed are flat and have no structural damage that could affect the installation of the wall bed or its anchoring to the wall. Do not install the bed on weakened or rotten structures.

Warranties for all products purchased from Resource Furniture, LLC are only valid if the product has been properly assembled, Installed by a trained professional, and operated in accordance with the assembly instructions. Resource Furniture accepts no responsibility for any damage or injury caused by Improper Installation.

PENELOPE 2 DINING OVERVIEW

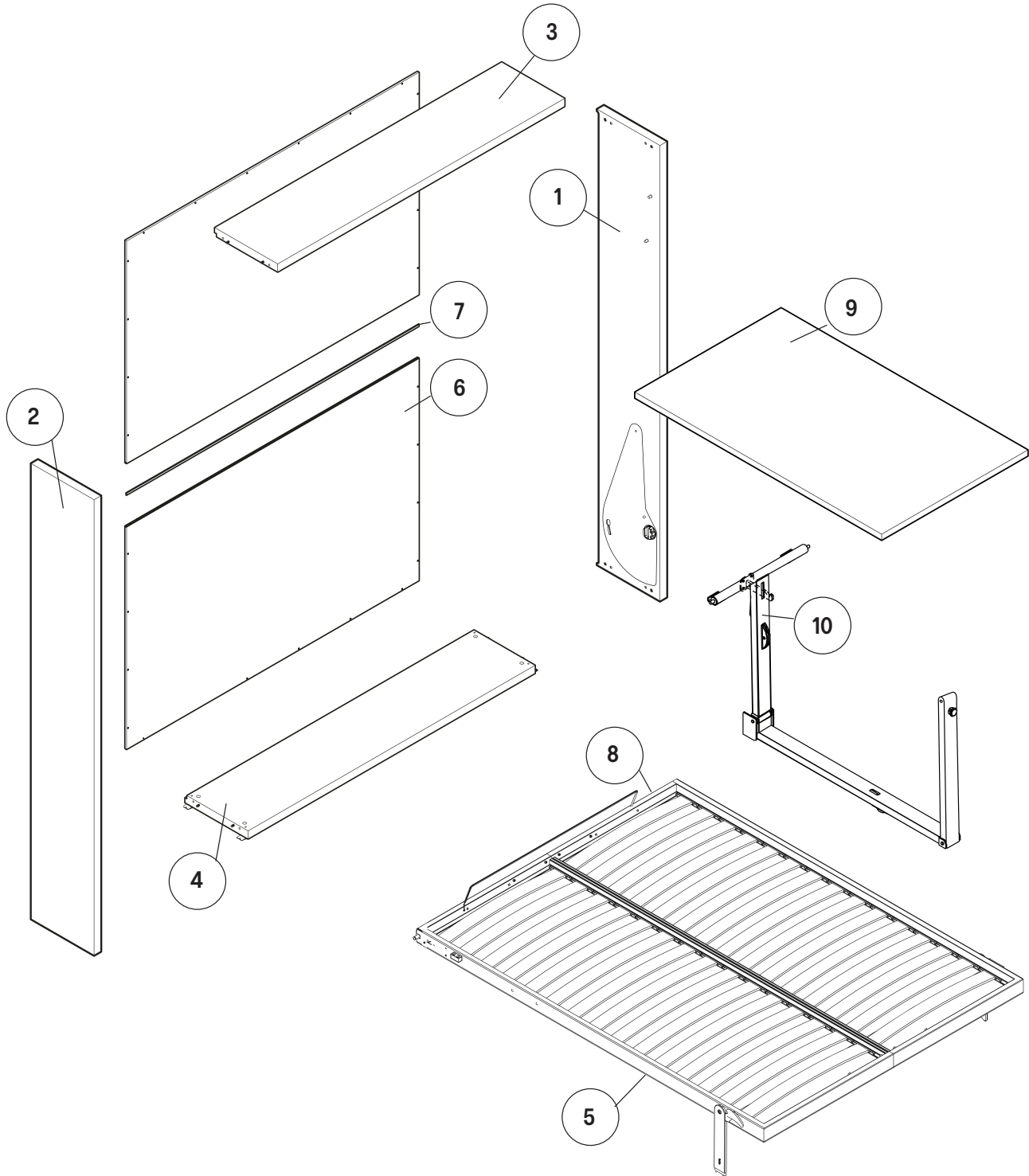


PENELOPE 2 DINING MATTRESS SPECIFICATIONS

Recommended weight: ~ 66 lbs

Recommended dimensions: 78 3/4 x 59 x 7"

PENELOPE 2 DINING OVERVIEW



BED BASE ASSEMBLY



Locking system **adjustment/synchronization**

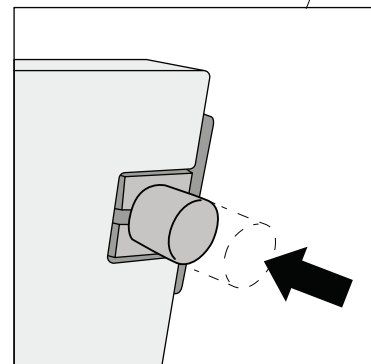
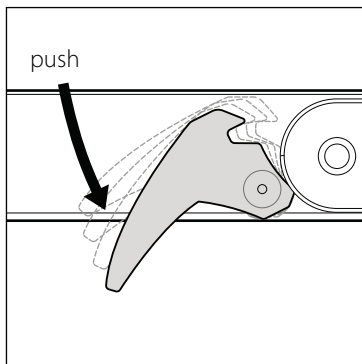
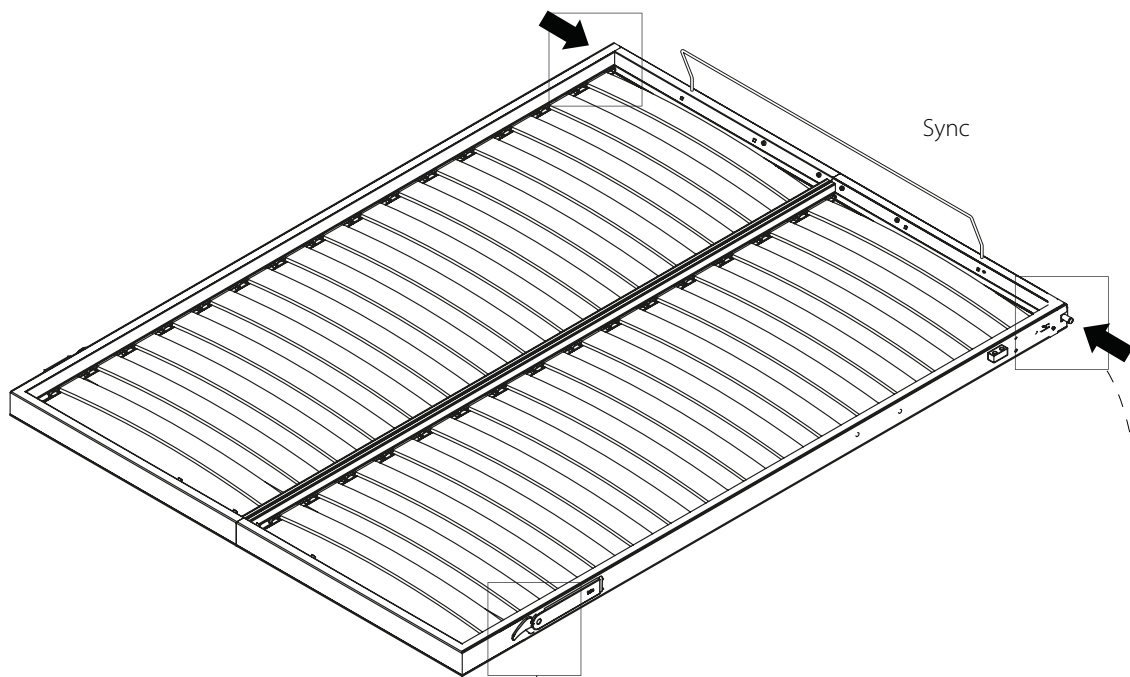
Check and adjust this function prior to installing the bed base!

Lower the right lever and verify that the two locking pins at the bottom of the bed base enter equally and symmetrically.

Repeat by operating the left lever.

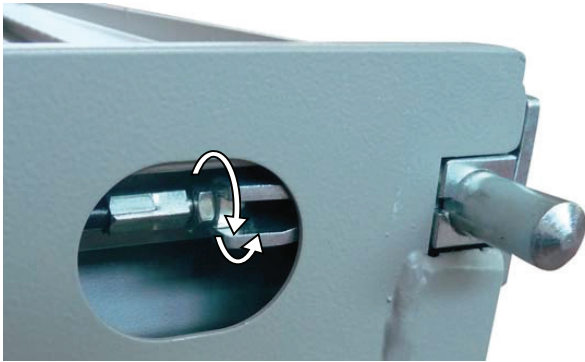


If not **synchronized**, adjust the cables.



BED BASE ASSEMBLY

Adjust the unlocking cable



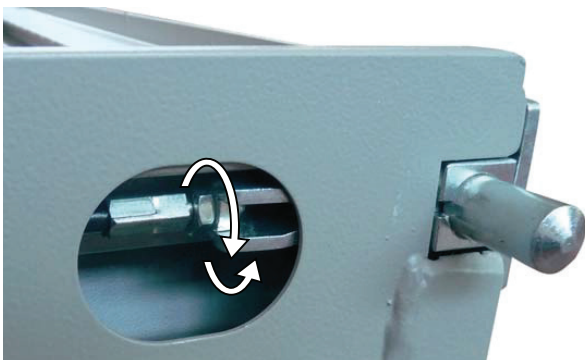
1 Loosen the locknut using an appropriate wrench.



2. To shorten the pin, turn the adjustment screw clockwise. To lengthen the pin, turn the adjuster anticlockwise.



Be careful not to overextend the cable, if the adjuster is pulled to far, there is a risk of damaging the cable.

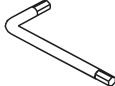
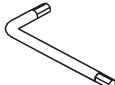
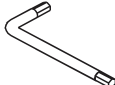


3 Once the cable is adjusted correctly, and the levers are functioning properly, Tighten the lock nuts.

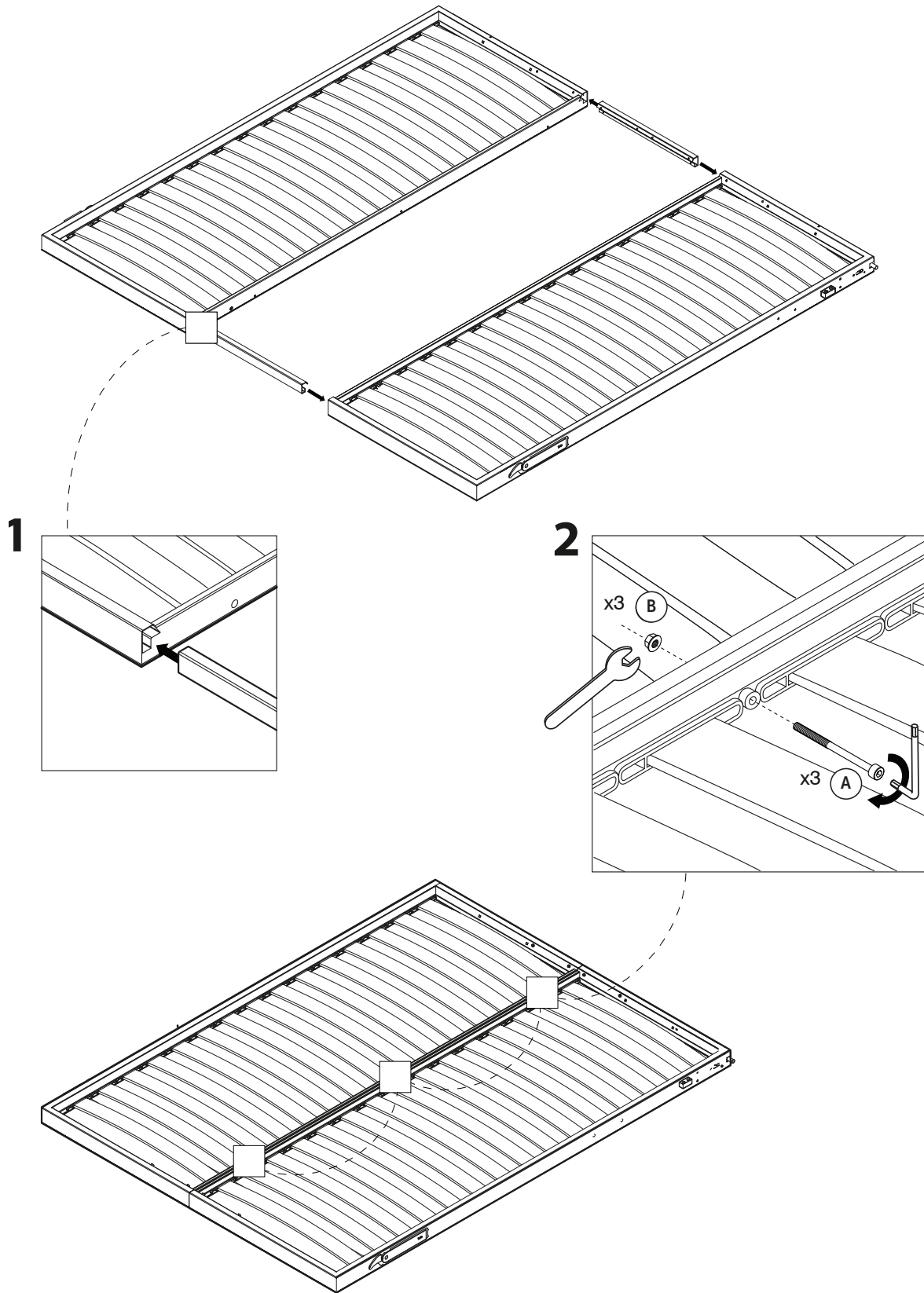
PENELOPE 2 DINING COMPONENTS

CODE	QTY.	COMPONENTS
1	1	Right vertical panel
2	1	Left vertical panel
3	1	Top horizontal panel
4	1	Bottom horizontal panel
5	1	Bed frame
6	2	Back panels
7	1	Back panels spline
8	1	Mattress support bar
9	1	Dining Table
10	1	Dining Table Mechanism

PENELOPE 2 DINING TOOLS

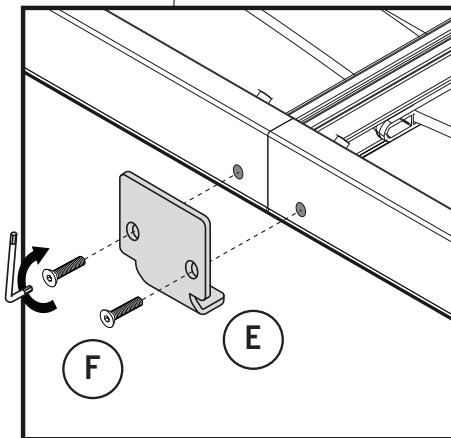
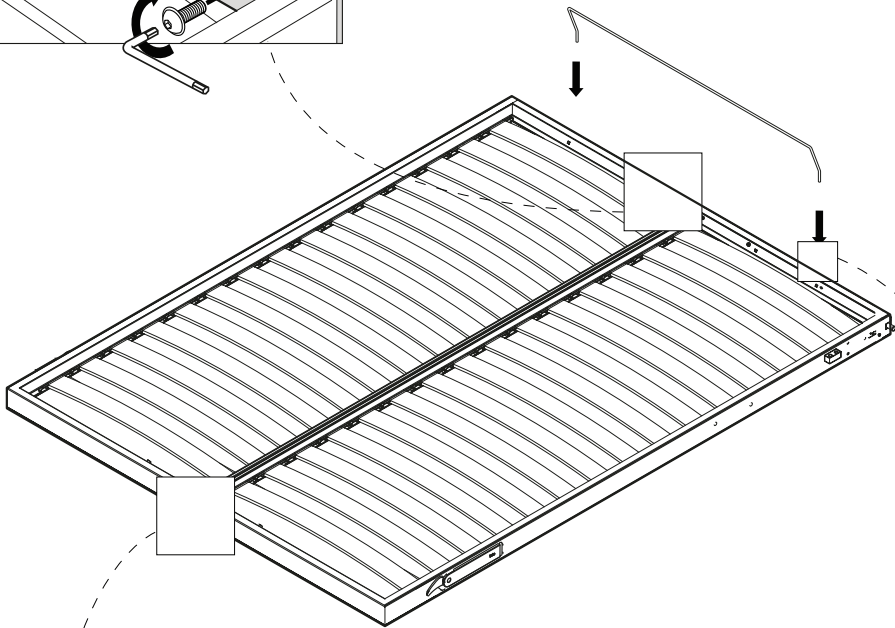
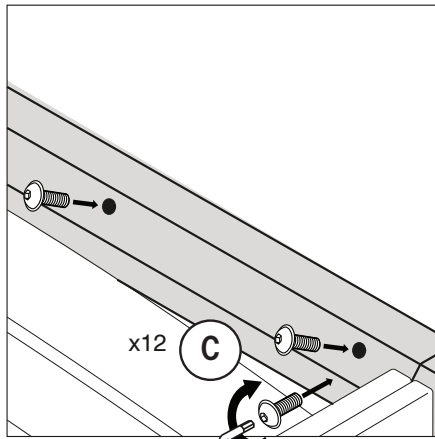
QTY.	DESCRIPTION	
1	Allen wrench 4 MM	
1	Allen wrench 5 MM	
1	Allen wrench 6 MM	

BED BASE ASSEMBLY

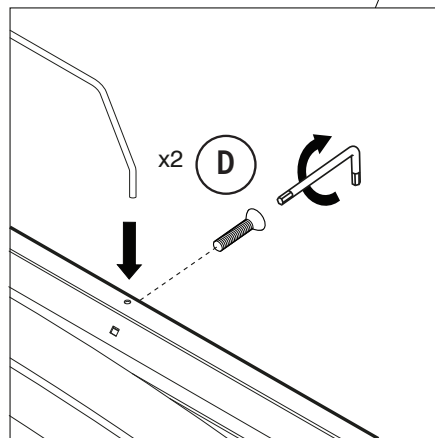


Note: Bed base comes fully assembled but can be disassembled if needed.

BED BASE ASSEMBLY

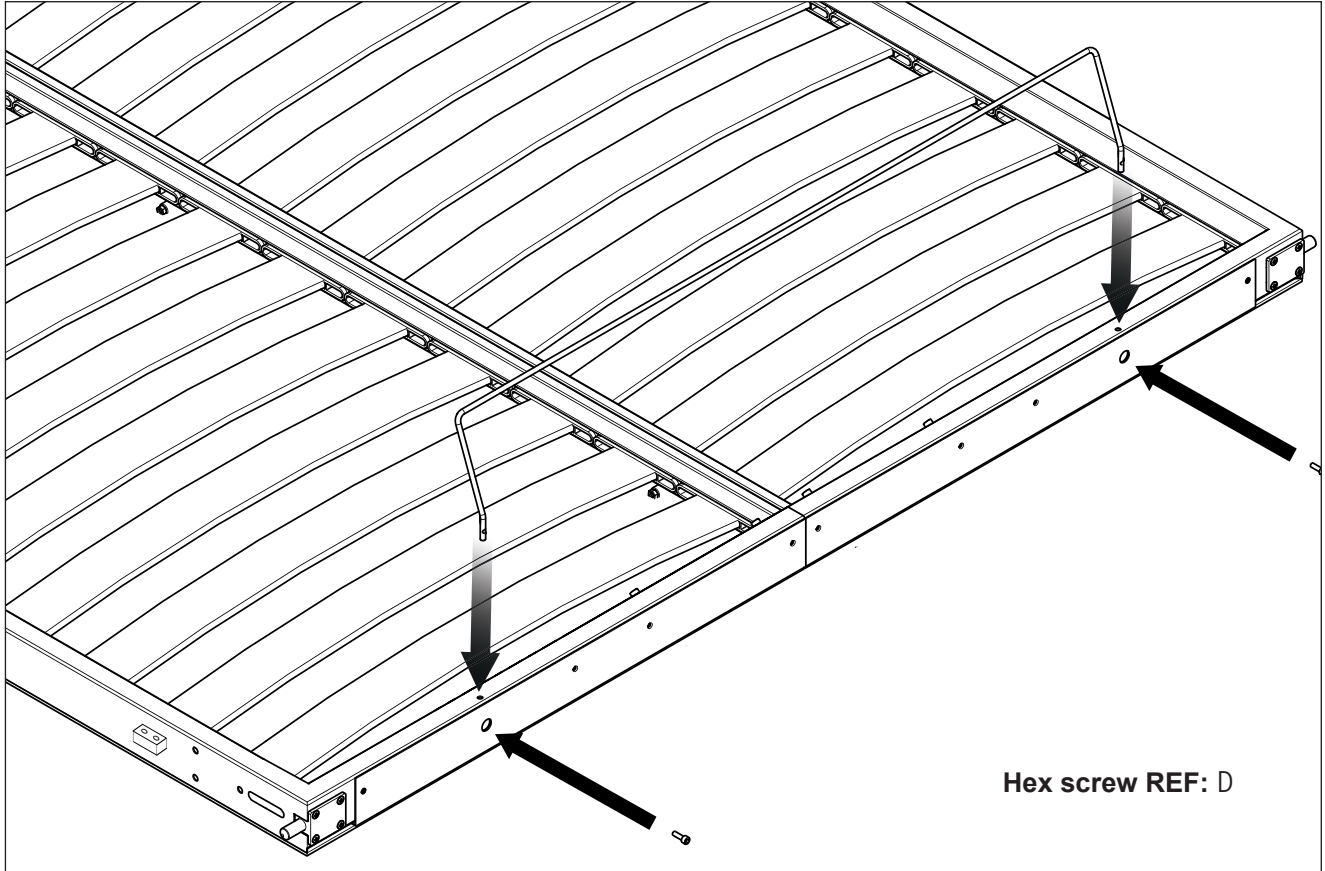


4

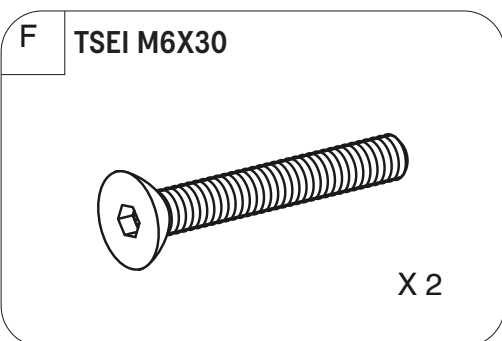
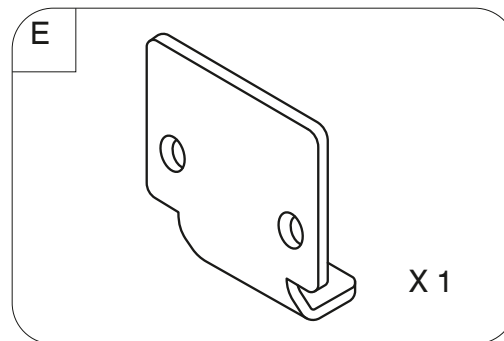
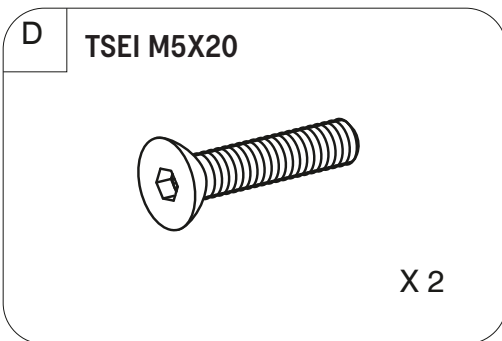
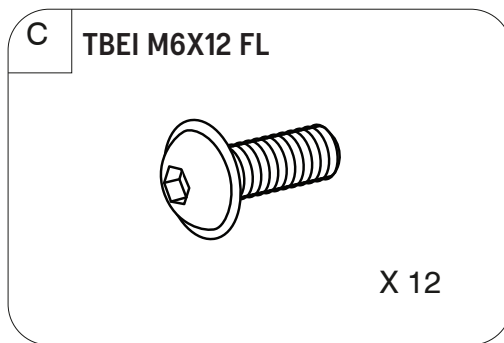
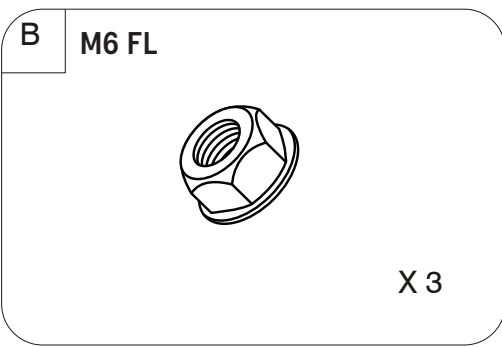
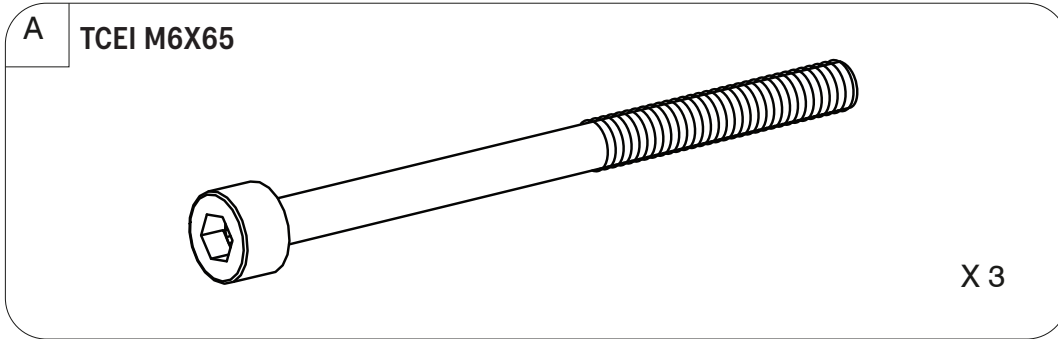


MATTRESS BAR INSTALLATION

Mattress bar must be installed before the bed base is inserted into the structure.

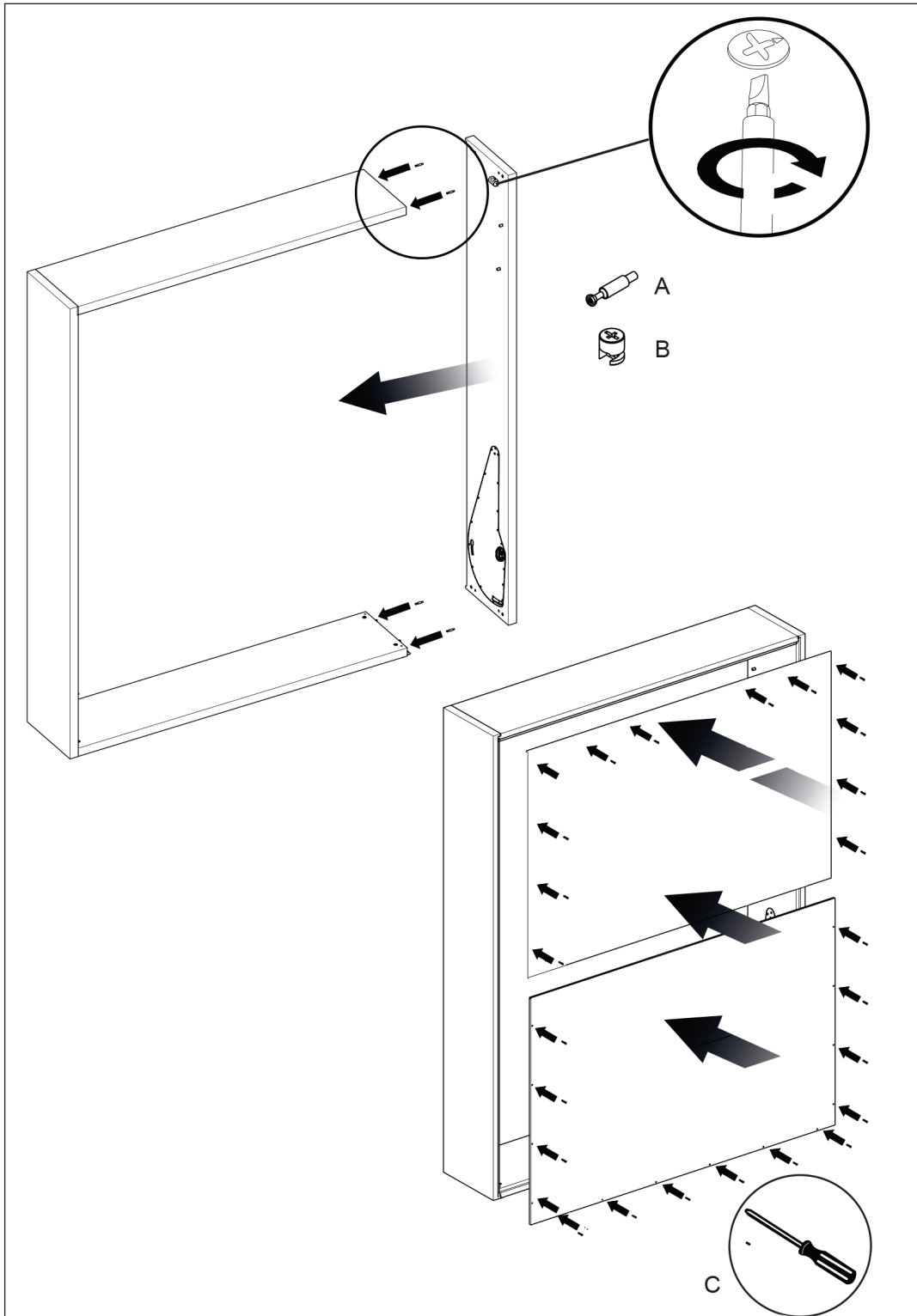


BED BASE HARDWARE



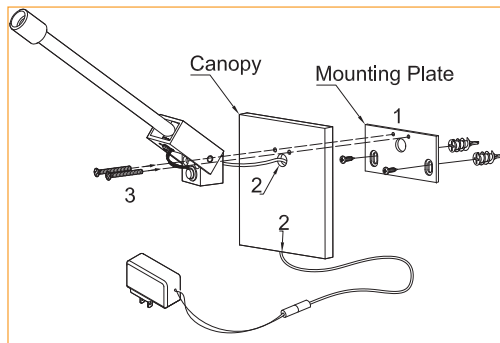
STRUCTURE ASSEMBLY

Screw 4 (A) pins into both the (1) right vertical and (2) left vertical panels. Attach the (3) horizontal top and (4) horizontal bottom panels to the vertical panels by inserting and tightening 8 (B) cams. Attach the (7) lower back panel to the structure with 14 (C) wood screws. Insert (8) back panel spline into lower back panel and place the (7) upper back panel on top of the spline attaching it to the structure using 14 (C) screws.



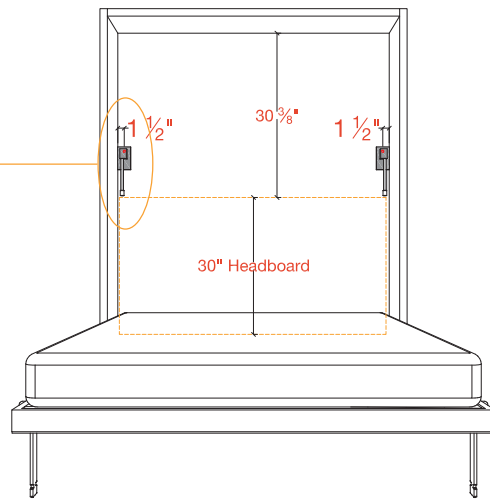
OPTIONAL WAND LIGHTING

Headboard must be installed on site before light fixture. Drill $\frac{1}{2}$ " hole at $10 \frac{1}{4}$ " above headboard and $1 \frac{1}{2}$ " in from the side. Install mounting Plate with provided wood screws, aligning the $\frac{1}{2}$ " drill holes.

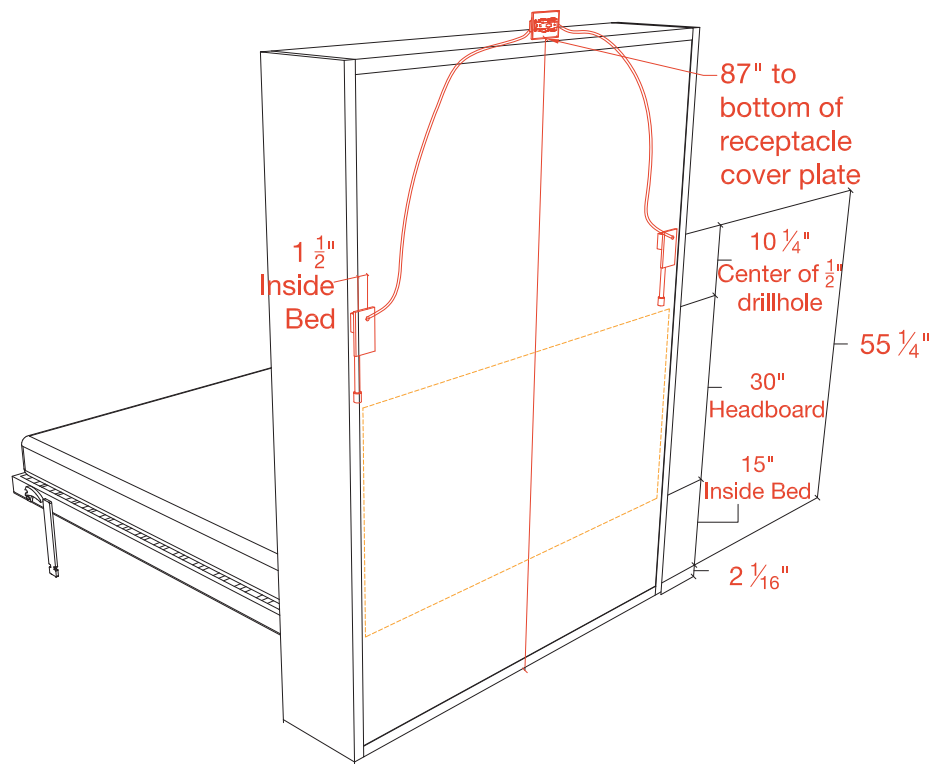


Wand Light Exploded Diagram

Cord Length = 118"



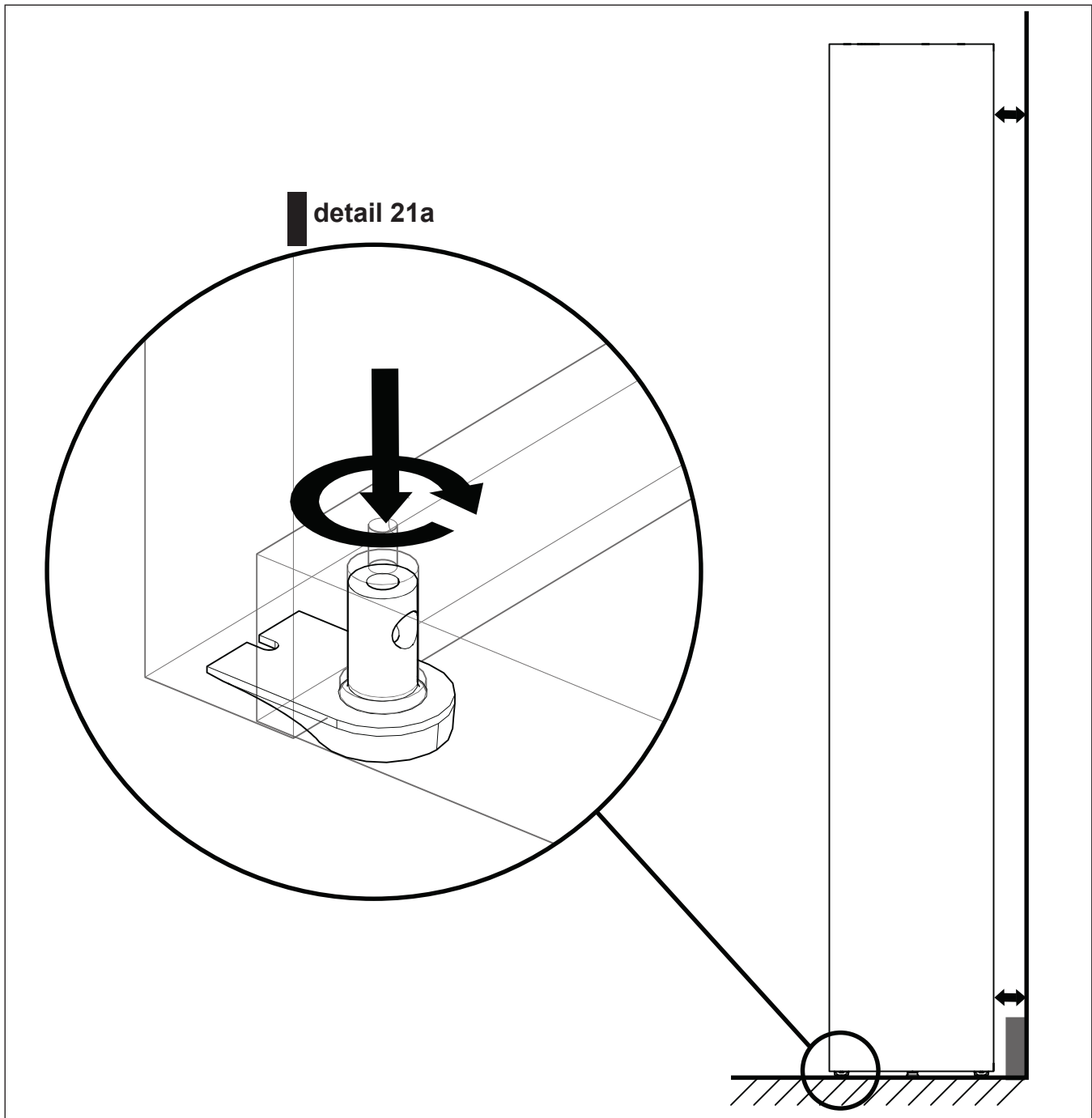
Front



Back

LEVELING THE STRUCTURE

Ensure that the structure is level and plumb. To compensate for any floor unevenness, use the adjustable feet on the bottom panel (det. 21a) to level the structure.

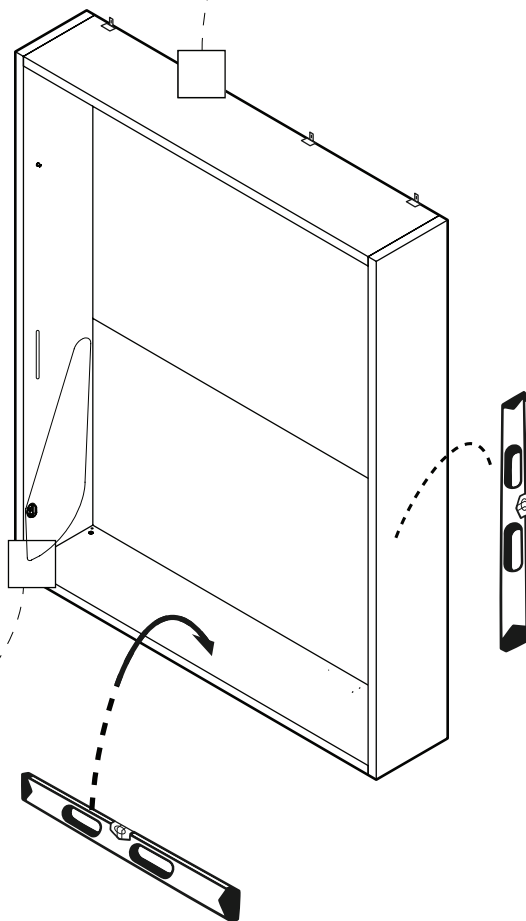
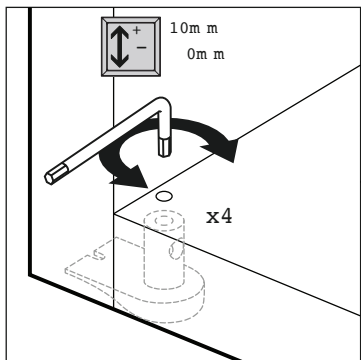
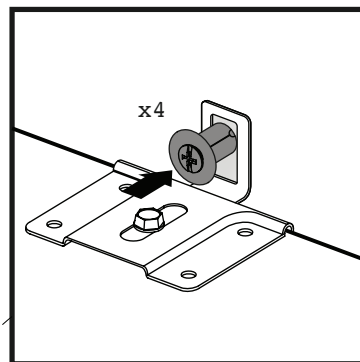


WALL ANCHORING INSTRUCTIONS



Caution! Carefully read pages 13-17 before anchoring the bed to the wall.

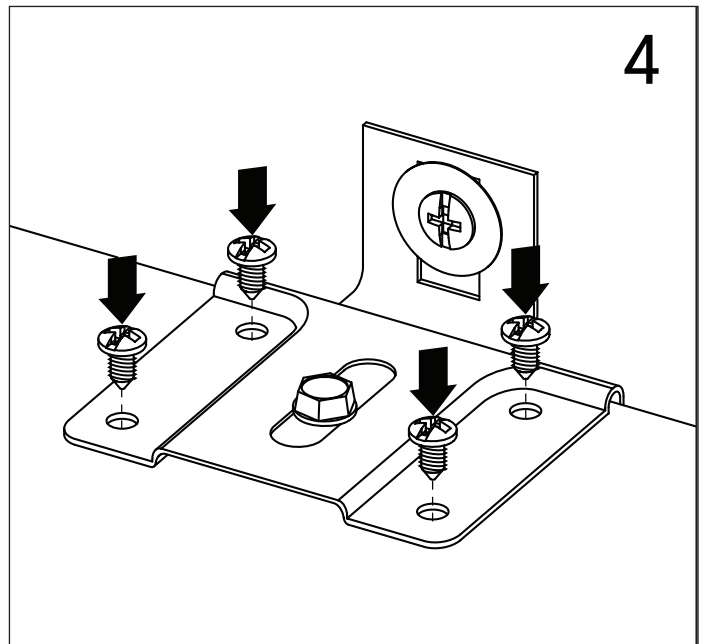
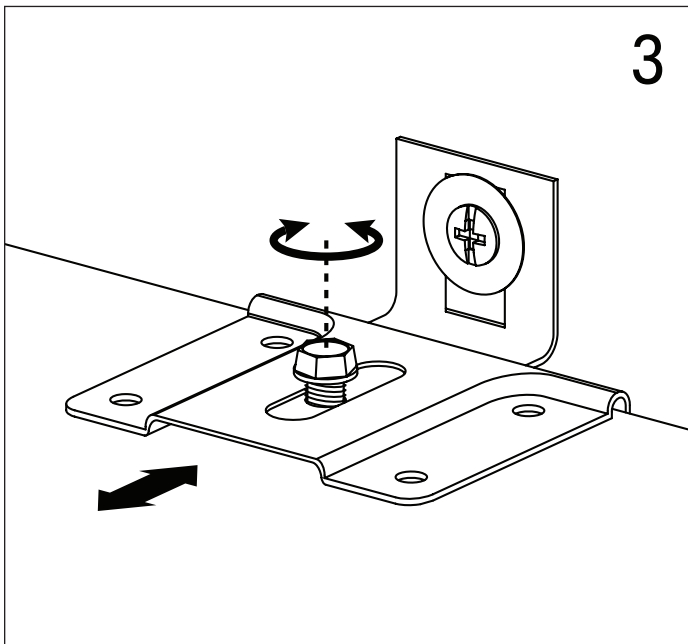
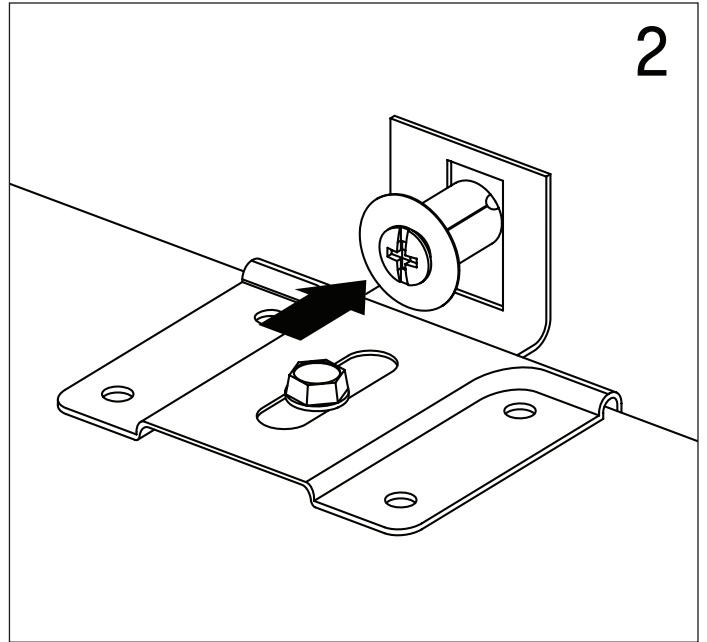
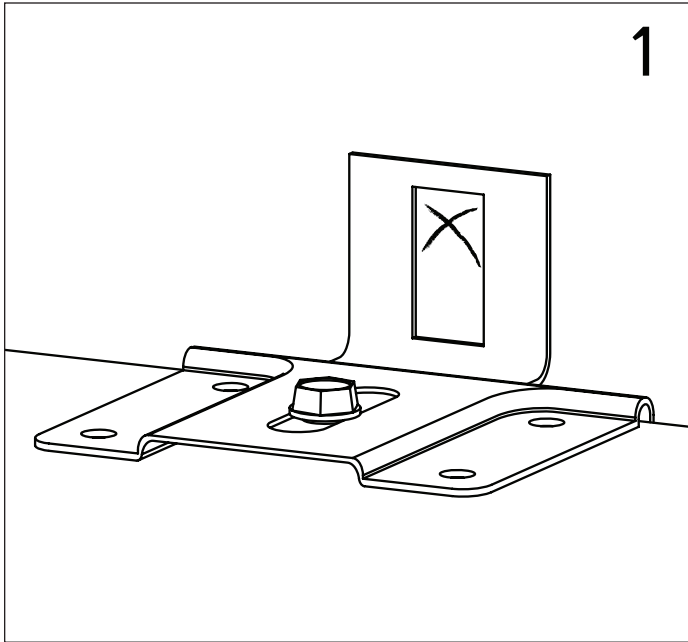
It is compulsory to secure the product to intact and strong walls, by no less than 4 wall anchoring points, as well as to place it on leveled floors.



WALL ANCHORING INSTRUCTIONS

After the unit is level and plumb it should be securely attached to the wall using the metal angle mounting brackets as shown in the images below. A proper wall anchor suitable for the wall's construction must be selected by the contractor or installer.

The required washer shown in the images below is not included with the hardware.

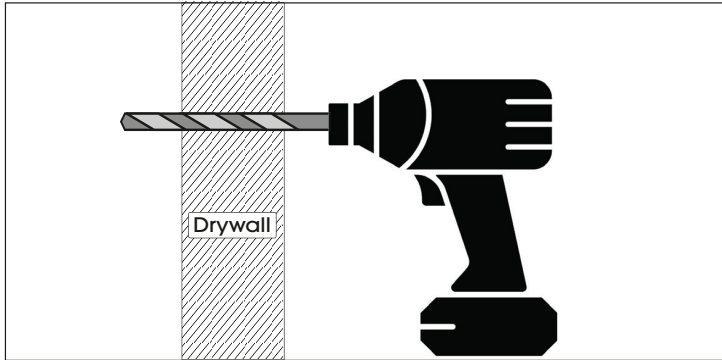


WALL ANCHORING INSTRUCTIONS

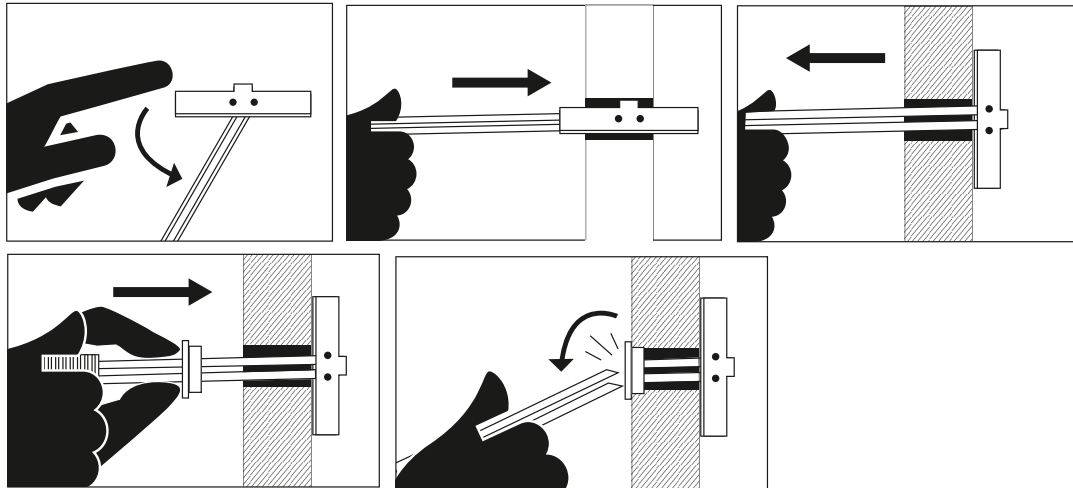
SHEETROCK

For 1/2" and 5/8" thick sheetrock it is recommended to use (4) 3/16" strap toggles.

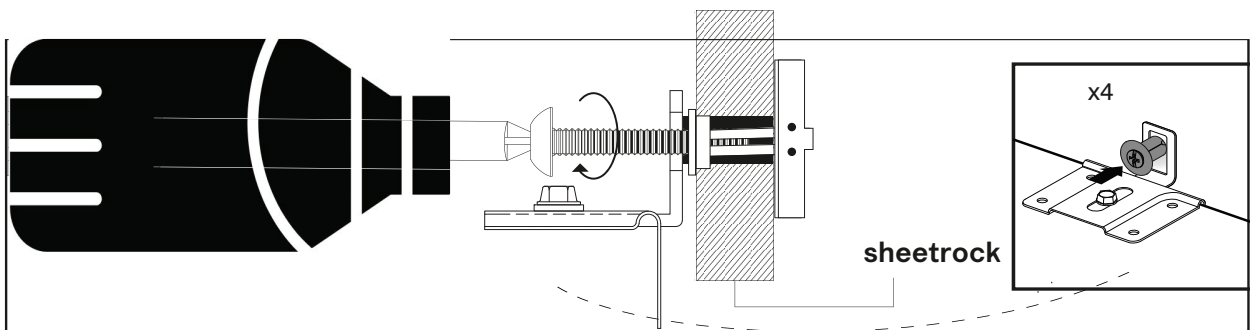
Using a 1/2" (13 mm) diameter metal bit, drill into the drywall.



Slide the metal channel of the anchor through the hole in the wall, hold the straps together and pull toward you until the channel rests behind the wall. Slide the cap along the straps until it is flush with the wall. Snap off the straps.



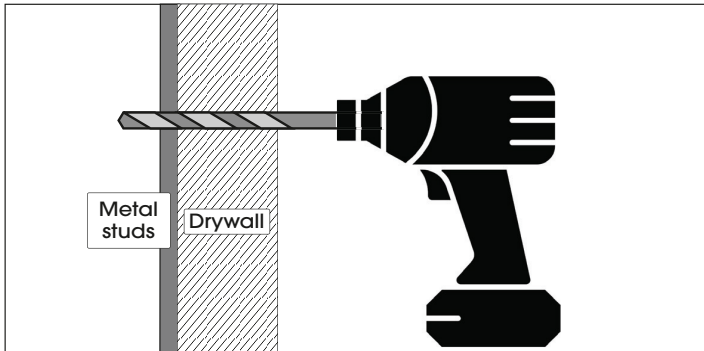
Insert the screw 3/16" X APPROPRIATE LENGTH into the hole and fasten the screw until the metal angle bracket is pulled snug against the wall.



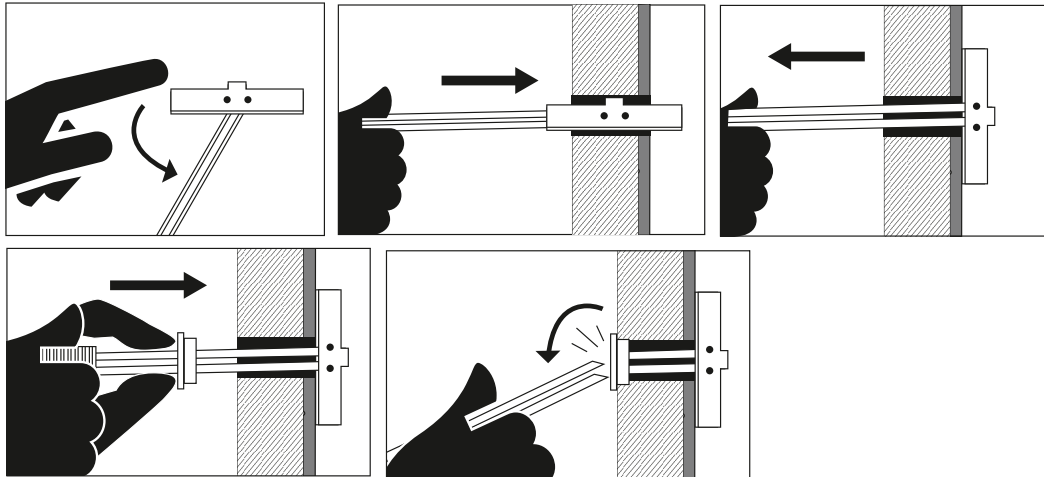
WALL ANCHORING INSTRUCTIONS

METAL STUDS : OPTIONAL

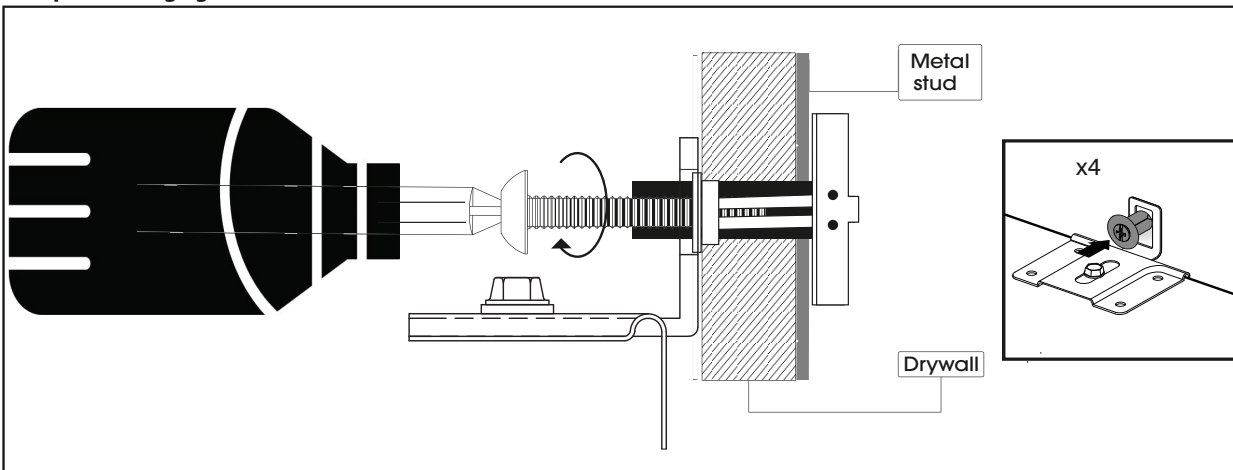
Using a 1/2" (13 mm) diameter metal bit, drill into the drywall and the metal studs.



Slide the metal channel of the anchor through the hole in the wall, hold the straps together and pull toward you until the channel rests behind the wall. Slide the cap along the straps until it is flush with the wall. Snap off the straps.

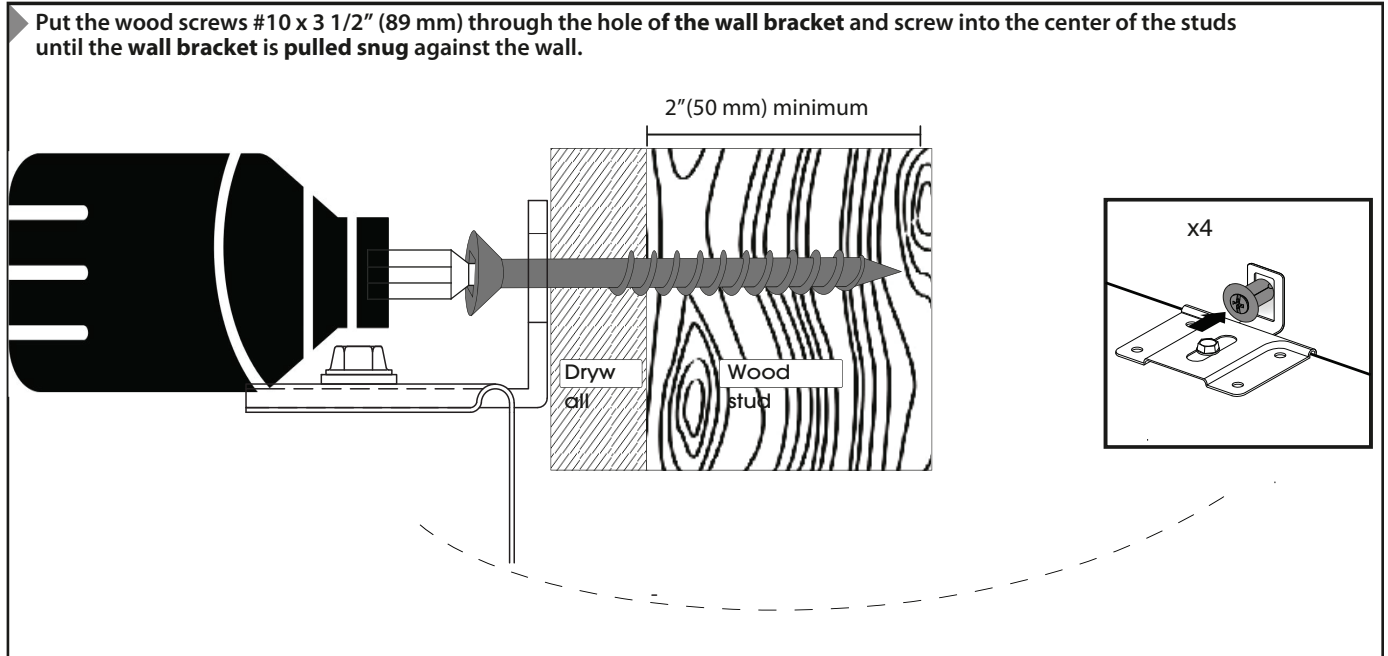


Insert the screw 3/16" X APPROPRIATE LENGTH into the hole and fasten the screw until the metal angle bracket is pulled snug against the wall.



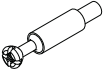
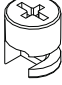
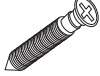
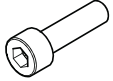
WALL ANCHORING INSTRUCTIONS

WOOD STUDS

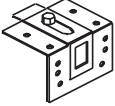
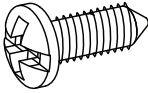


For any other wall materials please reach out to Resource Furniture.

PENELOPE 2 DINING STRUCTURAL HARDWARE

CODE	QTY.	COMPONENT	DESCRIPTION	
A	8	7 x 36 6MA	Pins	
B	8	D15 L17	Cam connectors	
C	28	3.5 x 30	Wood screws for attaching back panels to structure	
D	4	M8x30MM	Hex screw - for attaching bed frame to structure	

PENELOPE 2 DINING WALL MOUNTING

CODE	QTY.	DESCRIPTION	
WB	4	Wall brackets	
WC	24	3.5x20MM wood screw for attaching wall brackets to top of bed.	

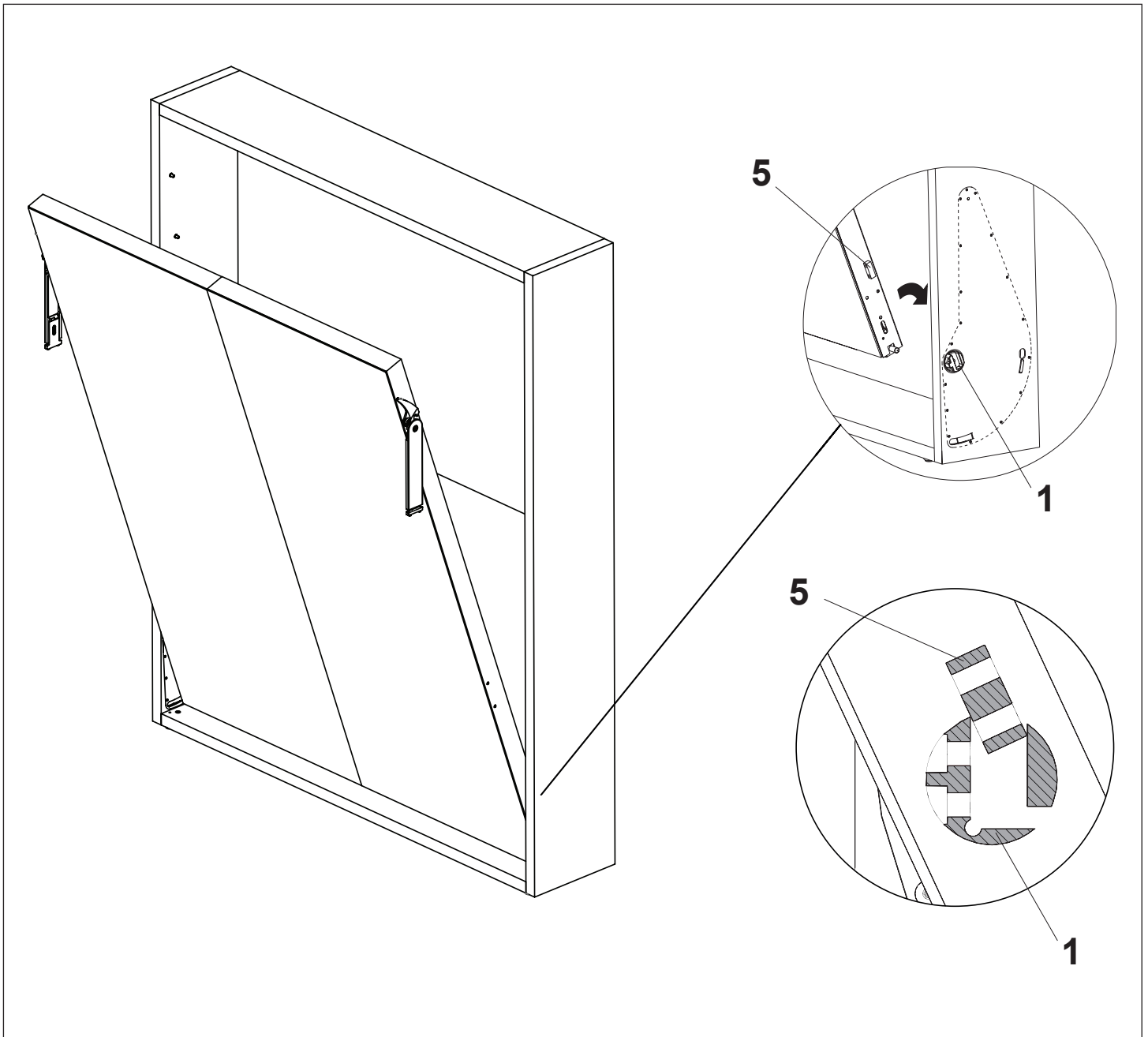
Note: The installer must determine the composition of the wall and appropriate anchors prior to installation. The wall anchors included are for solid concrete walls only.

BED BASE INSTALLATION



At this stage of the installation the bed structure must be securely attached to the wall as described on pages 13-17.

Inserting the bed base into the structure.



BED BASE INSTALLATION

Attaching the bed base to the structure.

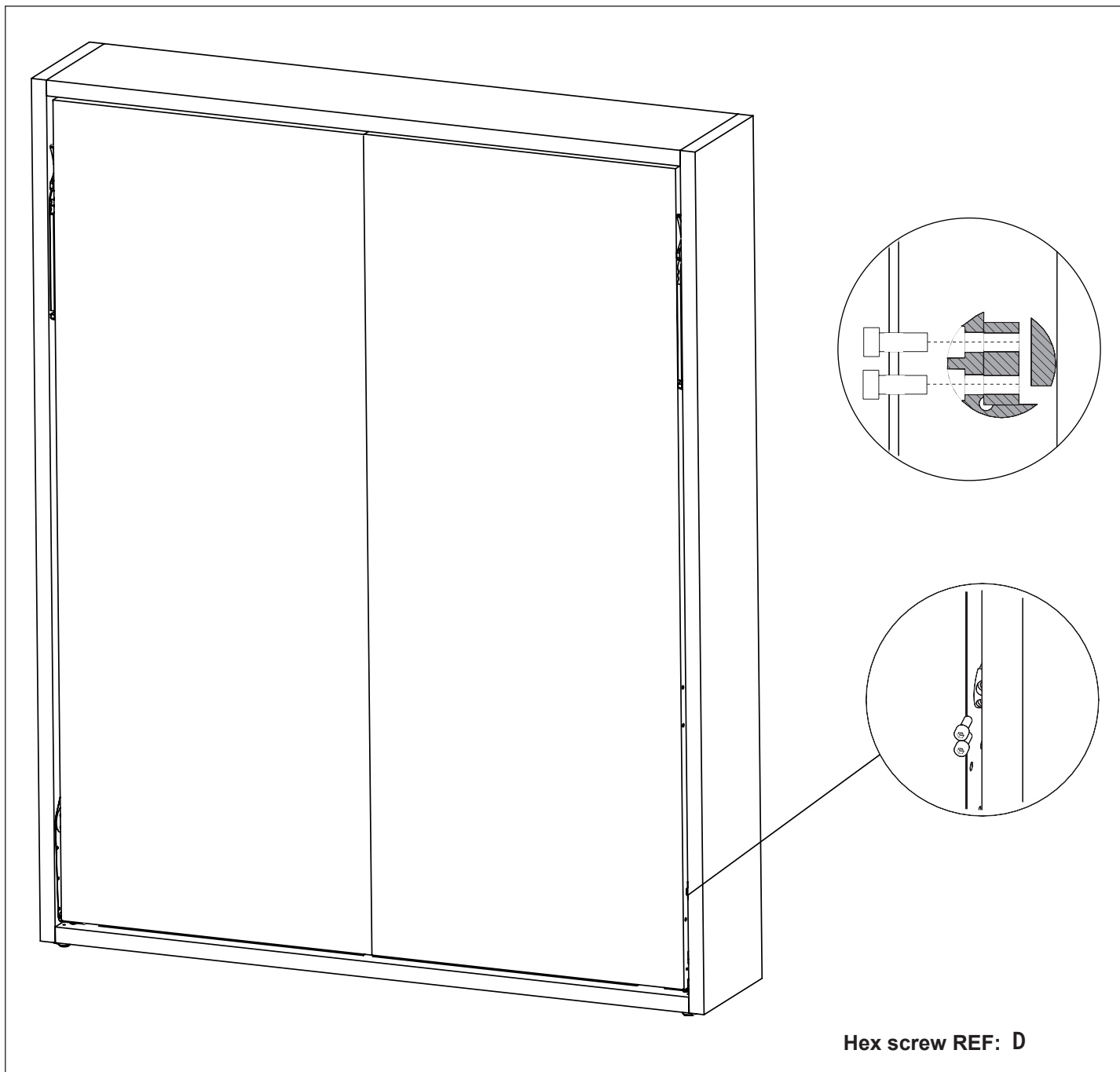
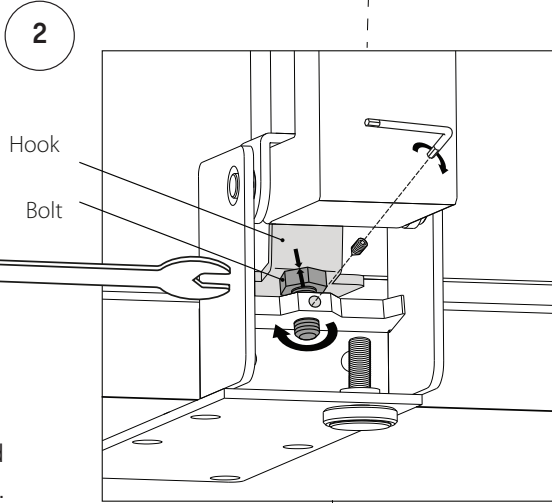
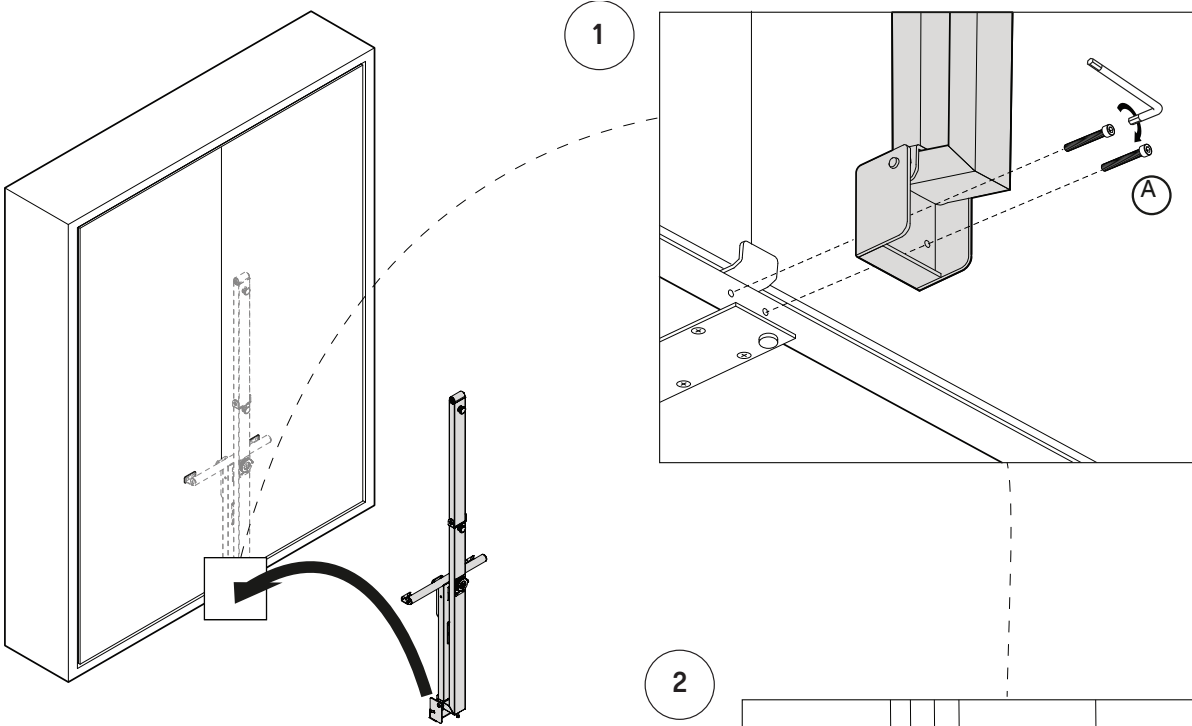


TABLE INSTALLATION



Place the bolt near the angled plate, without forcing it.

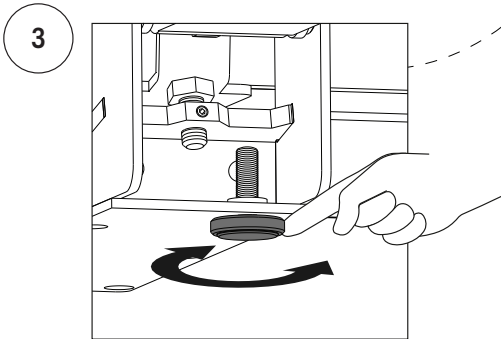


TABLE INSTALLATION

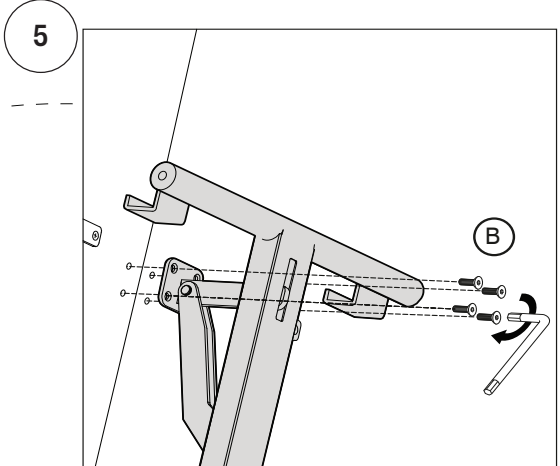
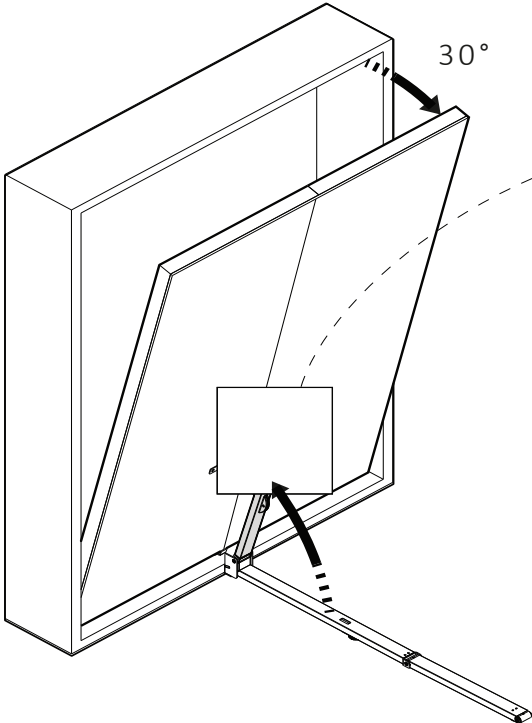
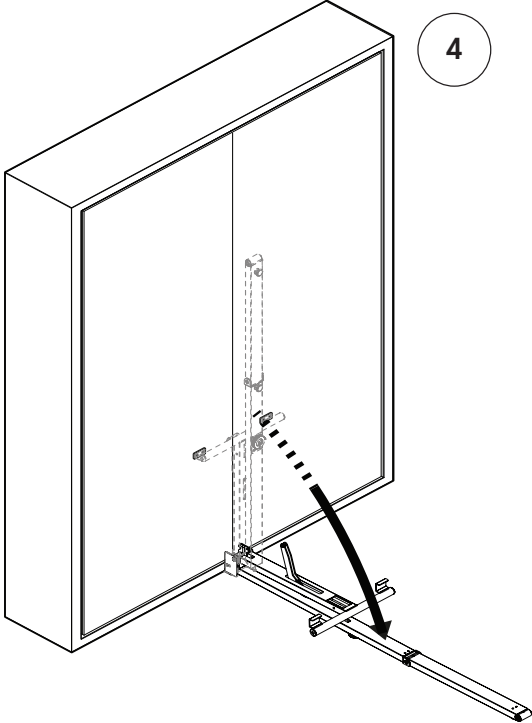


TABLE INSTALLATION

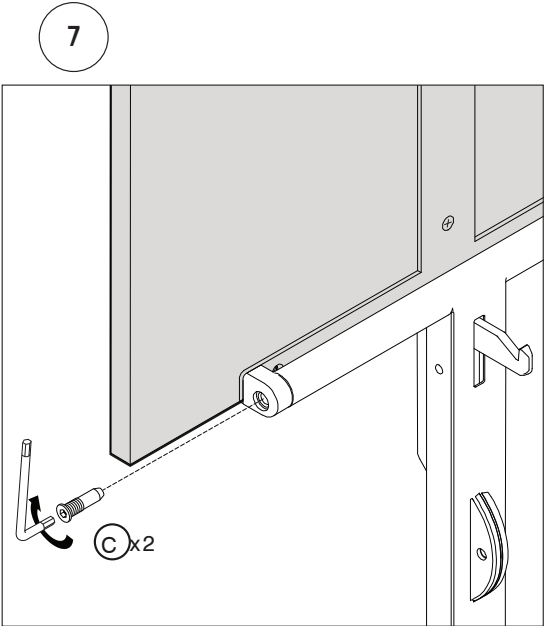
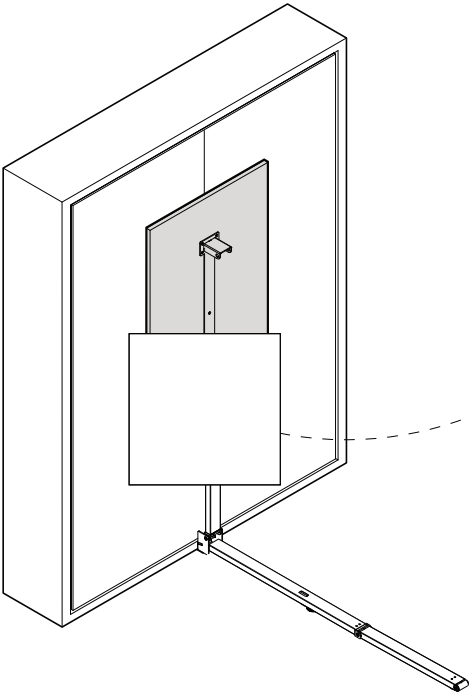
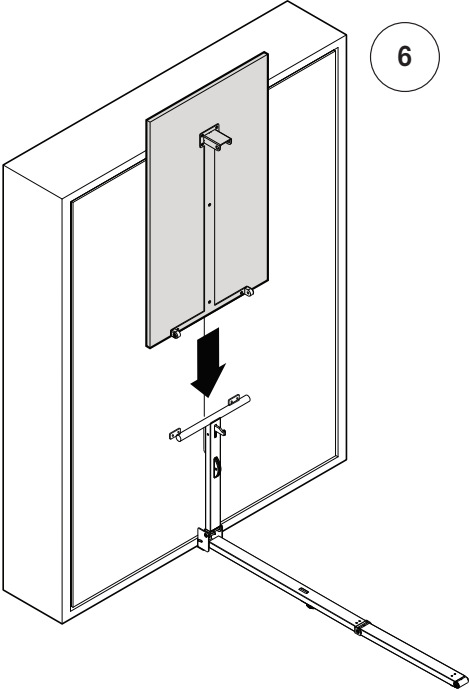


TABLE INSTALLATION

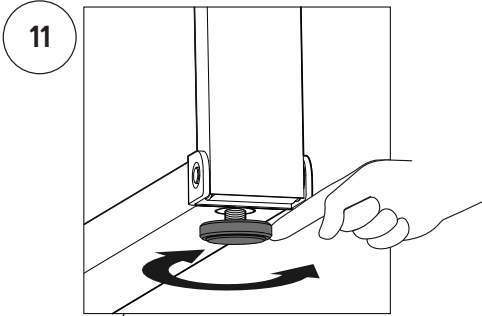
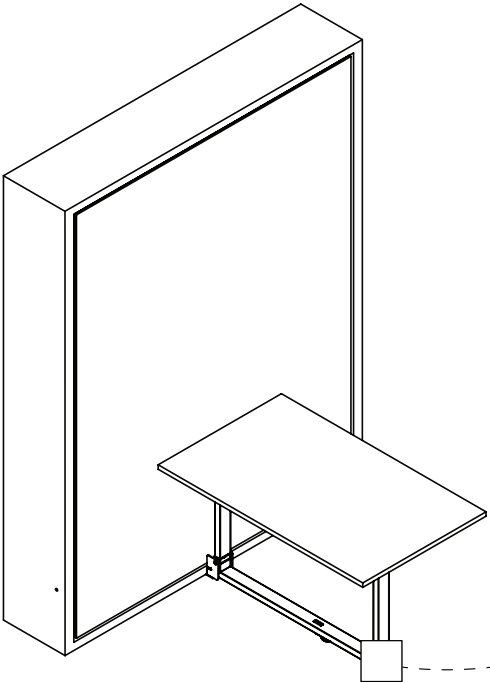
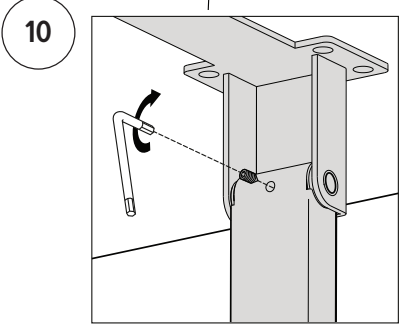
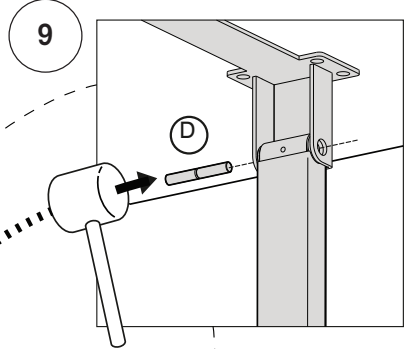
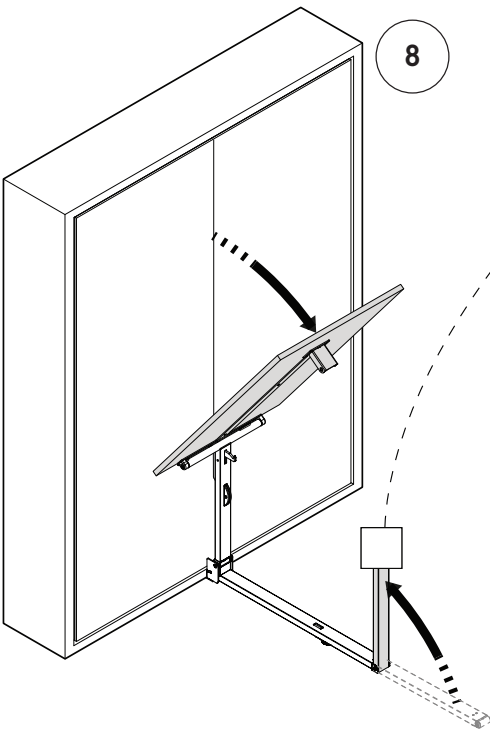


TABLE HARDWARE

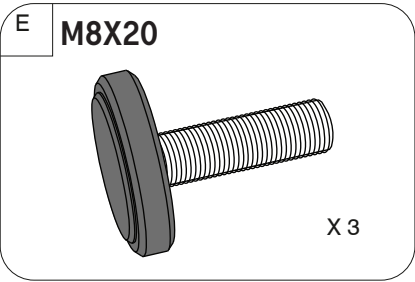
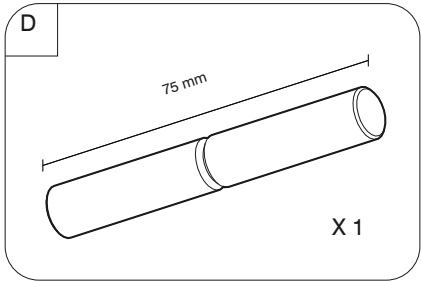
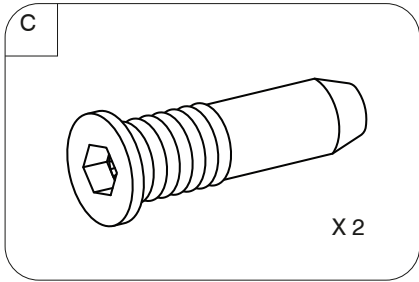
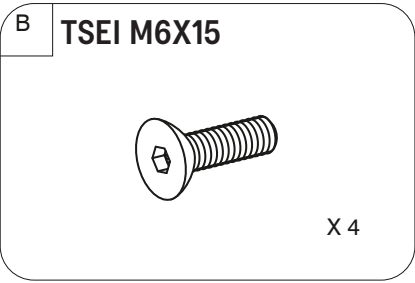
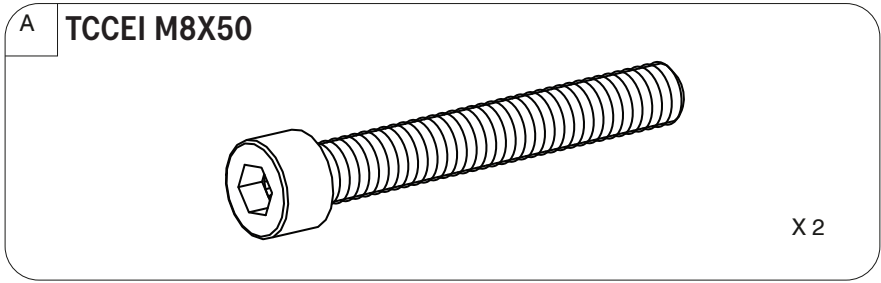


TABLE OPEN CLOSE

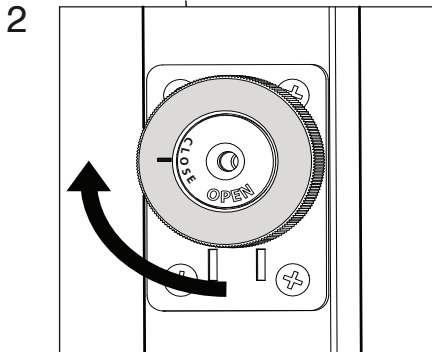
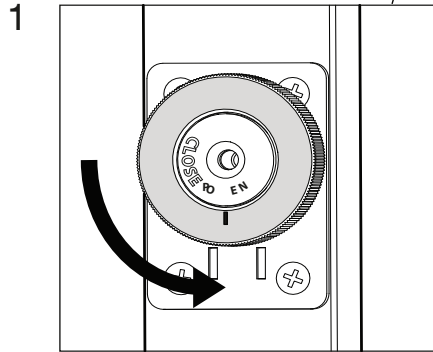
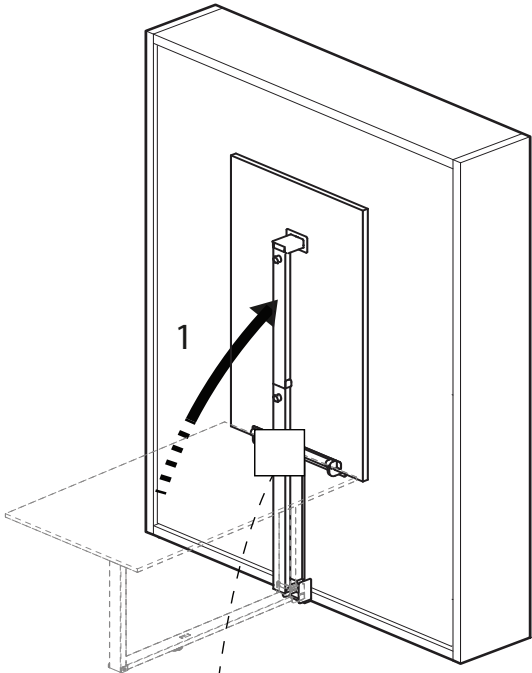
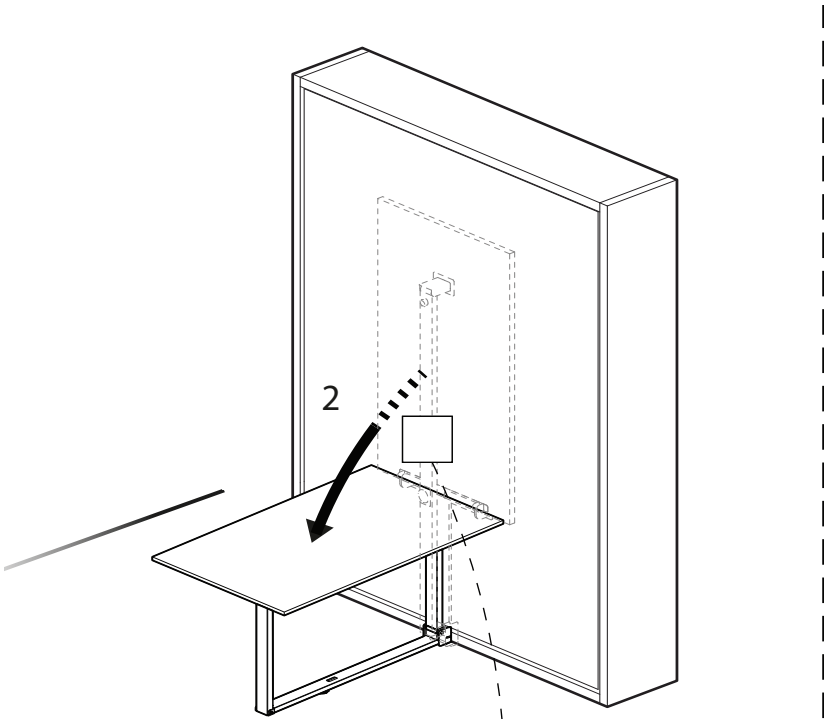
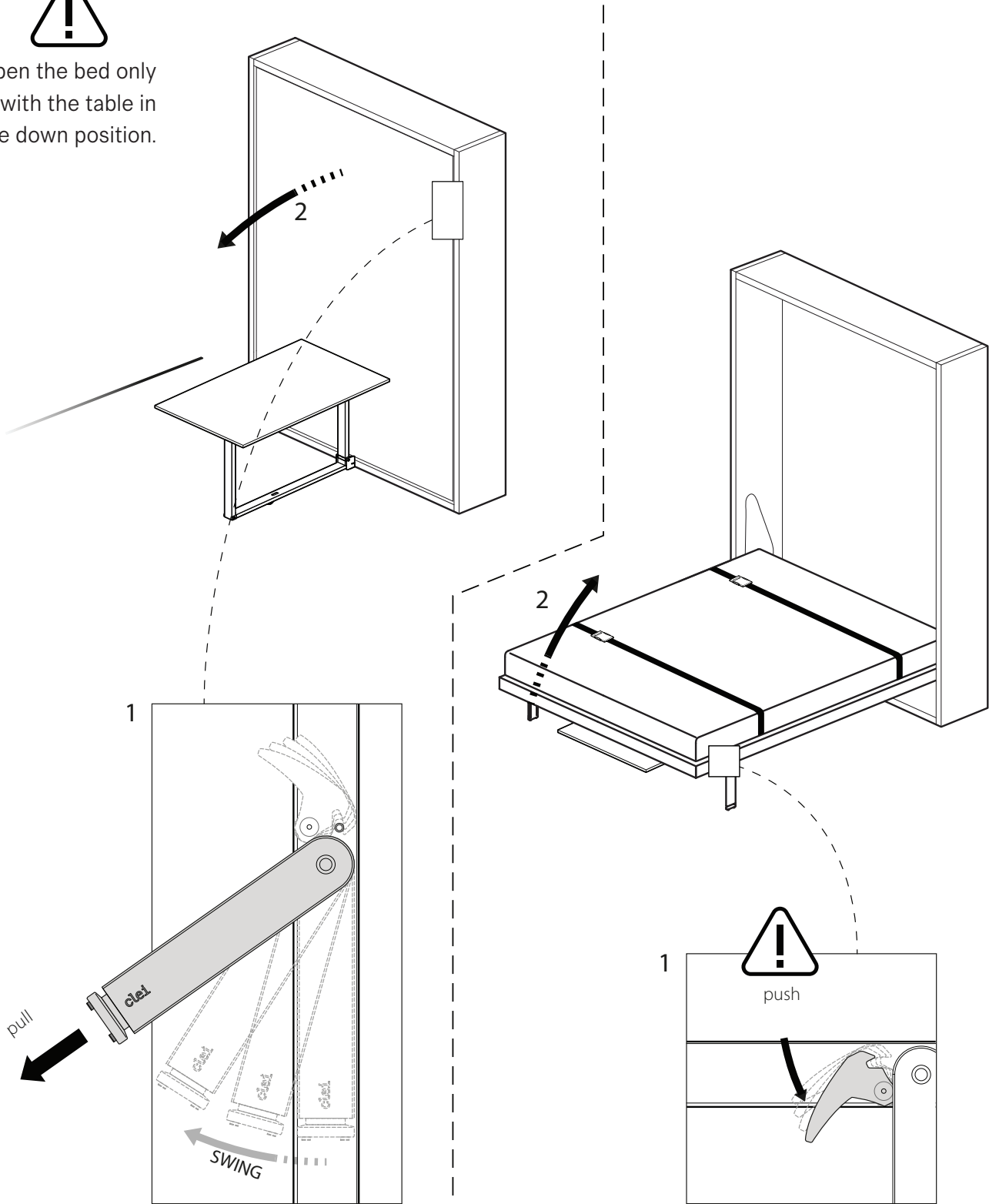


TABLE OPEN CLOSE



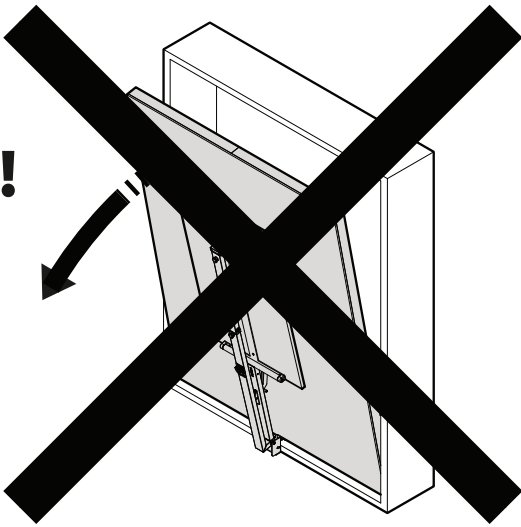
Open the bed only
with the table in
the down position.



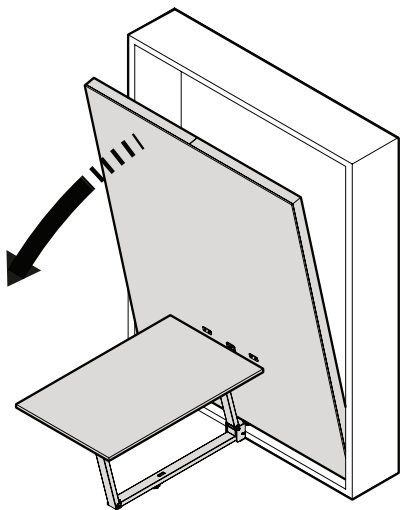


DON'T OPEN THE BED WITH CLOSED TABLE

NO!

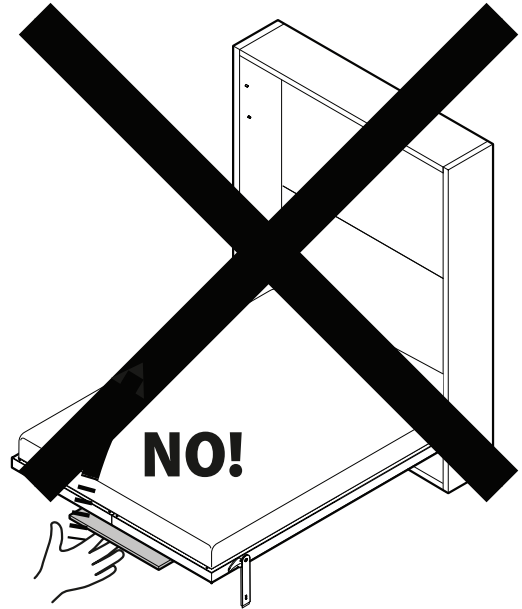


YES!

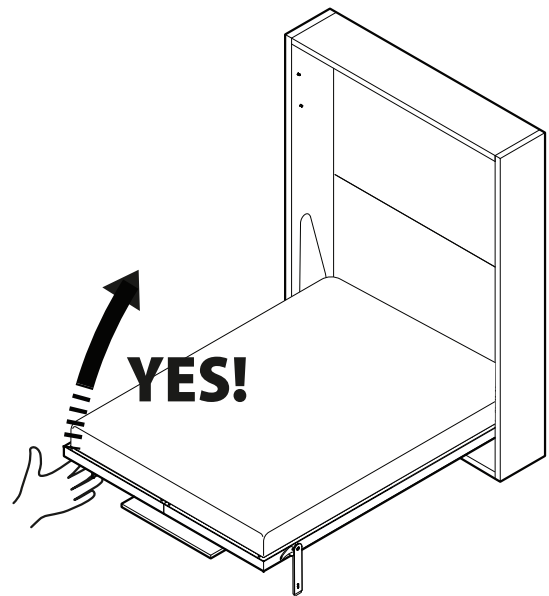


DON'T CLOSE THE BED TOGETHER WITH THE TABLE

NO!



YES!

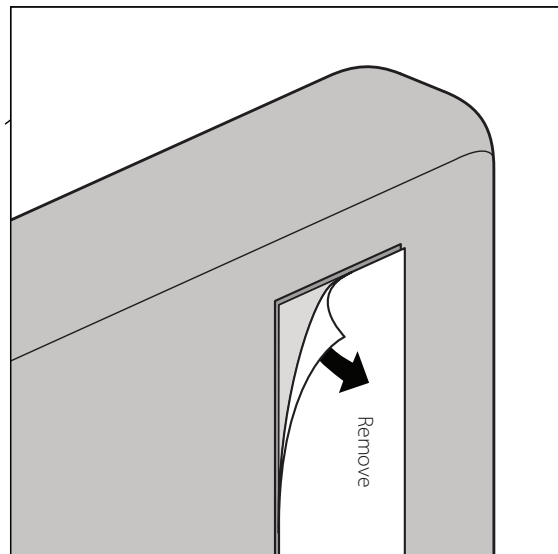
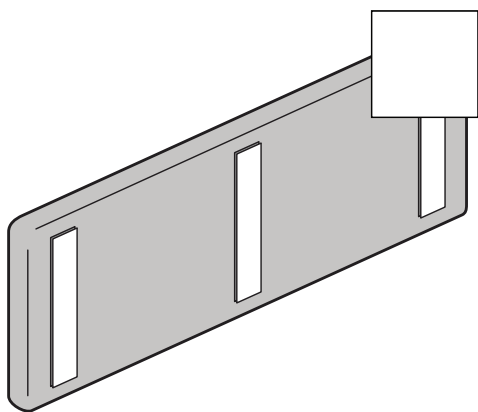
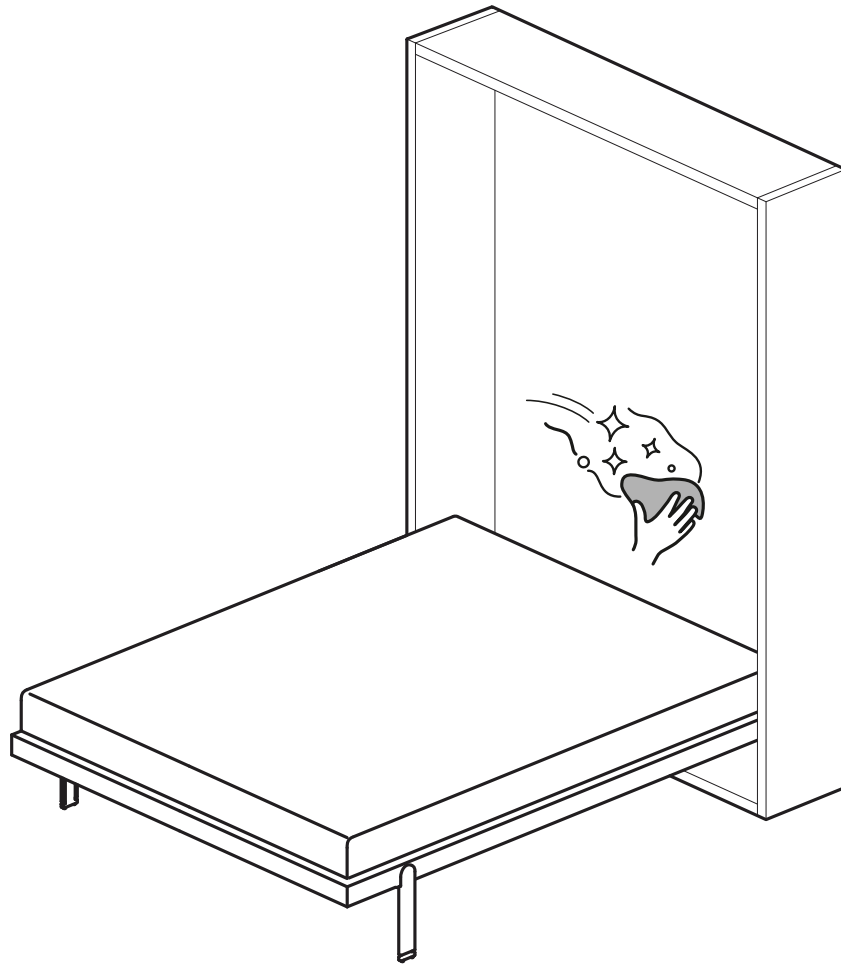


HEADBOARD AND MATTRESS INSTALLATION

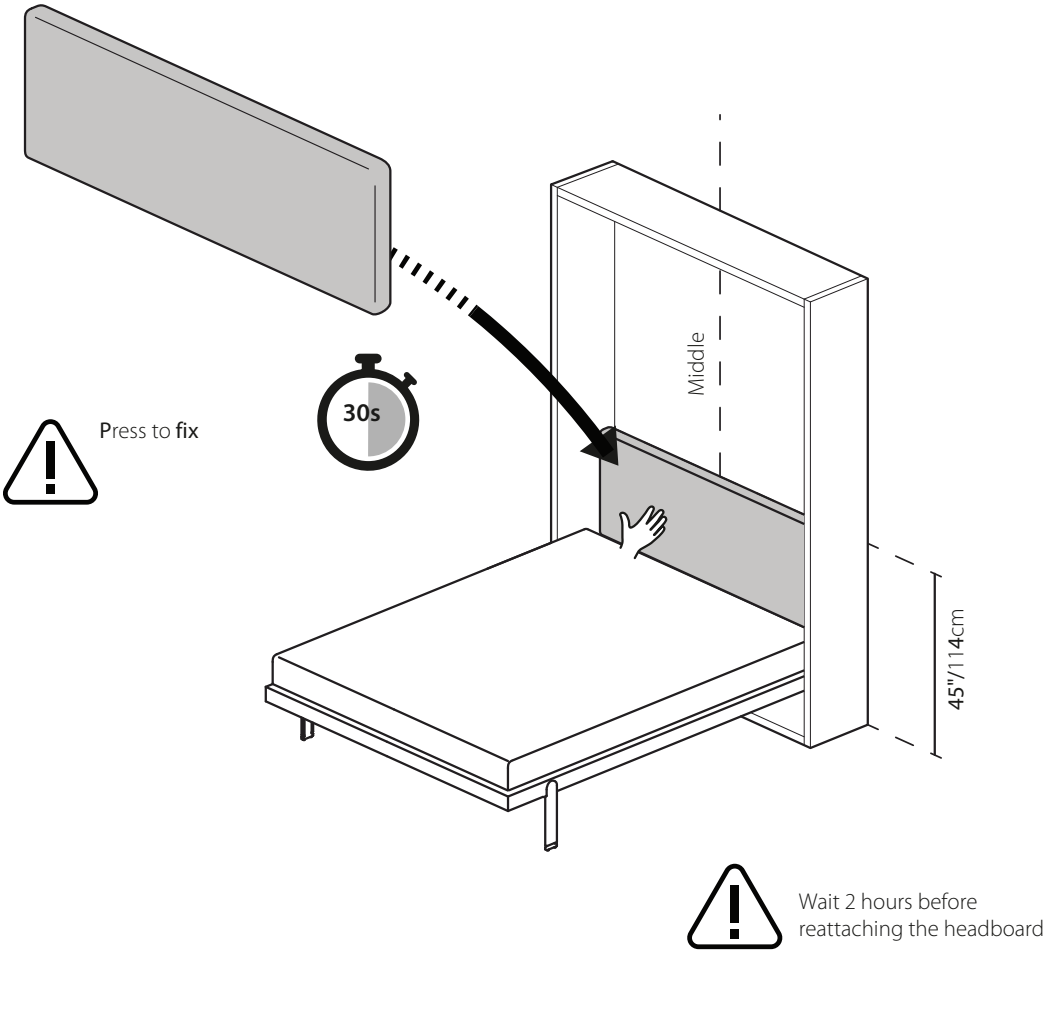
Headboard is optional.



Clean and dry











HEADBOARD INSTALLATION



WARNING PAGE PROVIDED BY MANUFACTURER

TRANSFORMING SYSTEM ASSEMBLY AND SAFETY CAREFULLY READ BEFORE PROCEEDING!

-  Follow with care all points of the assembly procedure, as per technical sheets and their sequence showed in the following pages, and all the safety rules indicated.
-  It is compulsory to fasten the product to intact and strong walls, by not less than 4 fixing points, and place it on perfectly levelled floors.
-  A hardware kit for assembly is supplied, but it does not include plugs for anchoring product to wall, because, to guarantee safety, they must be provided by the installer according to the kind of wall where the product is fixed to, and that manufacturer unknowns.
-  Installer is responsible for workmanlike assembly and test of the product.
-  Installation must be fulfilled by professional and skilled workers; we suggest installer to previously inspect the status of the wall where the product will be fixed to.
-  An incorrect installation may cause incidents and injuries to the final user. Clei is not responsible for any possible alterations, tempering and changes on the transforming system by third parties. Clei refuses any kind of responsibility for improper use of this transforming system like incorrect handling, as well as for any kind of incompetence and negligence by installer and final user.
-  When the transforming system is combined in a composition with cabinets, wardrobes, storage units or bookcases, these elements must be anchored to wall by an independent fastening respect to the one of the transforming system.
-  In case of re-assembly of the product, it is not possible to use the same holes drilled for the original installation. As a result, it is compulsory to place the plates and the plugs selected and used by the installer in a different position.

CLEI REFUSES ANY KIND OF RESPONSIBILITY FOR ASSEMBLIES NON-COMPLIANT TO THE INSTRUCTIONS AND PROCEDURES DESCRIBED IN THE PRESENT ASSEMBLY MANUAL.

CLEI SYSTEM MATERIAL REQUIREMENTS

Attention to environmental issues and therefore our commitment to green design are our organization's competitive advantages. We design and make our products choosing materials that have a low impact on the environment and bearing in mind methods for reducing consumption of materials and waste as well as energy savings. All the products in our collections, therefore, provide for use of CARB2 certified eco-panels, with laser welded edges that are thus without glue, and water-based paints that reduce emissions of harmful substances by 95% compared to solvent-based paints. Ecology and safety guide our choices. All our suppliers are also involved in this policy, with a view to extending the useful life of our products, reducing consumption and increasing environmental quality.

CARB2

Clei uses CARB2 certified panels with extremely low emissions of formaldehyde. The specific E-LE classification guarantees that the formaldehyde content is limited to the quantity naturally contained in wood.

WATER-BASED PAINTS

Clei uses only water-based paints that drastically cut emissions of VOCs (Volatile Organic Compounds) as compared to solvent-based paints. Additionally, water-based paints are odourless, non-flammable and have very low toxicity.

Water-based paints conform to the safety standards of furnishing articles and to the directives concerning toys EN 71.3, in other words materials that may occasionally come into contact with children's mouths.

CARBON FOOTPRINT

The "Carbon footprint" of a company is its ecological profile, that is the environmental impact that can be attributed to the products that it offers on the market. Environmental impact can be measured by assessing factors such as intelligent use of resources, how recyclable they are, and how long the finished products last.

Moreover, there is another factor that is set to become increasingly more important, and that is the reduction of living spaces.

While cities grow, apartments become smaller, and therefore both necessity and practical considerations make Clei transforming furniture ideal for making the most of small-sized housing structures.

It's a simple equation: smaller sizes mean lower consumption of materials, and therefore a lower impact on the environment.

100% MADE IN CLEI

It's very easy to say "Made in Italy". But we can go further, proudly stating that our products are totally made in Clei.

This means absolute safety with regard to materials and the quality of processing. But also social strength and support with a guarantee of employment.



100%
MADE IN CLEI

