

Assembly Instructions






Nuovoliola



resource

WARNING

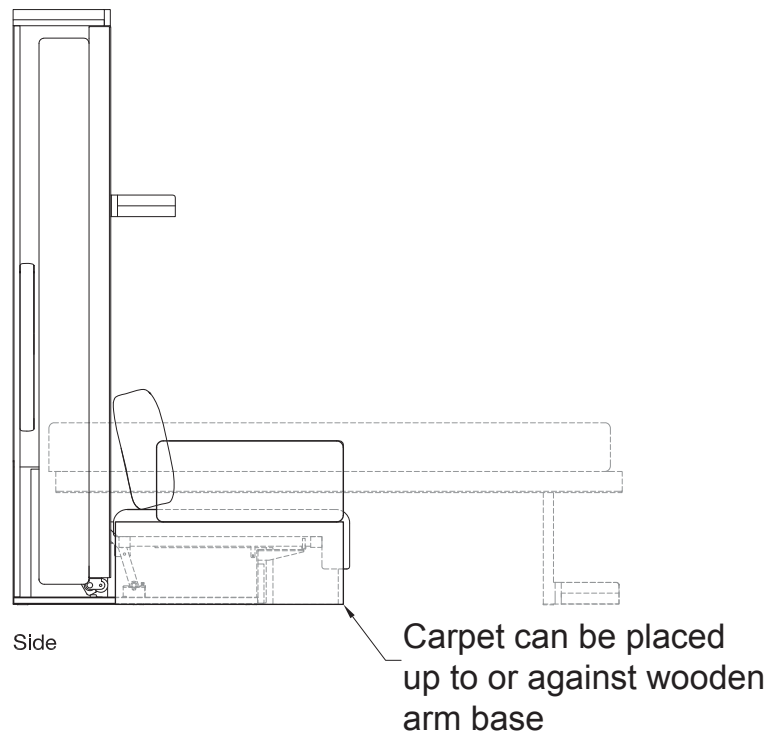
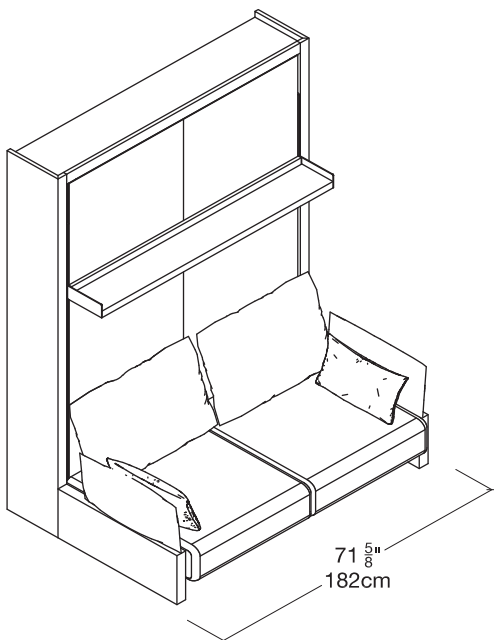
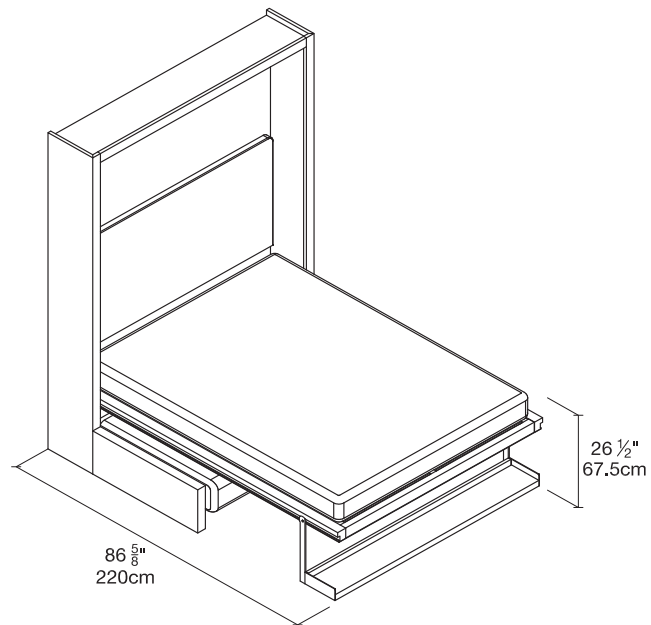
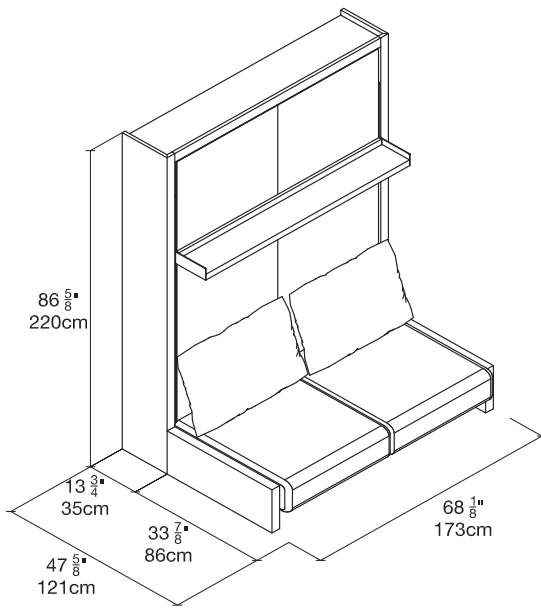
READ CAREFULLY BEFORE BEGINNING INSTALLATION.
IMPROPER INSTALLATION OF THE PRODUCT MAY CAUSE SERIOUS INJURY

-  Installation must be performed by a licensed contractor or a trained professional, who will ensure proper assembly and installation.
-  Installation must be performed by at least 2 people.
-  Improper installation of this product can cause serious or fatal injury.
-  Improper installation may result in permanent damage to the bed.
-  All hardware must be properly tightened. No parts of the model should be left loose or unstable.

Warranties for all products purchased from Resource Furniture, LLC are only valid if the product has been properly assembled, installed by a trained professional, and operated in accordance with the assembly instructions.

Resource Furniture accepts no responsibility for any damage or injury caused by improper installation.

NUOVOLIOLA OVERVIEW

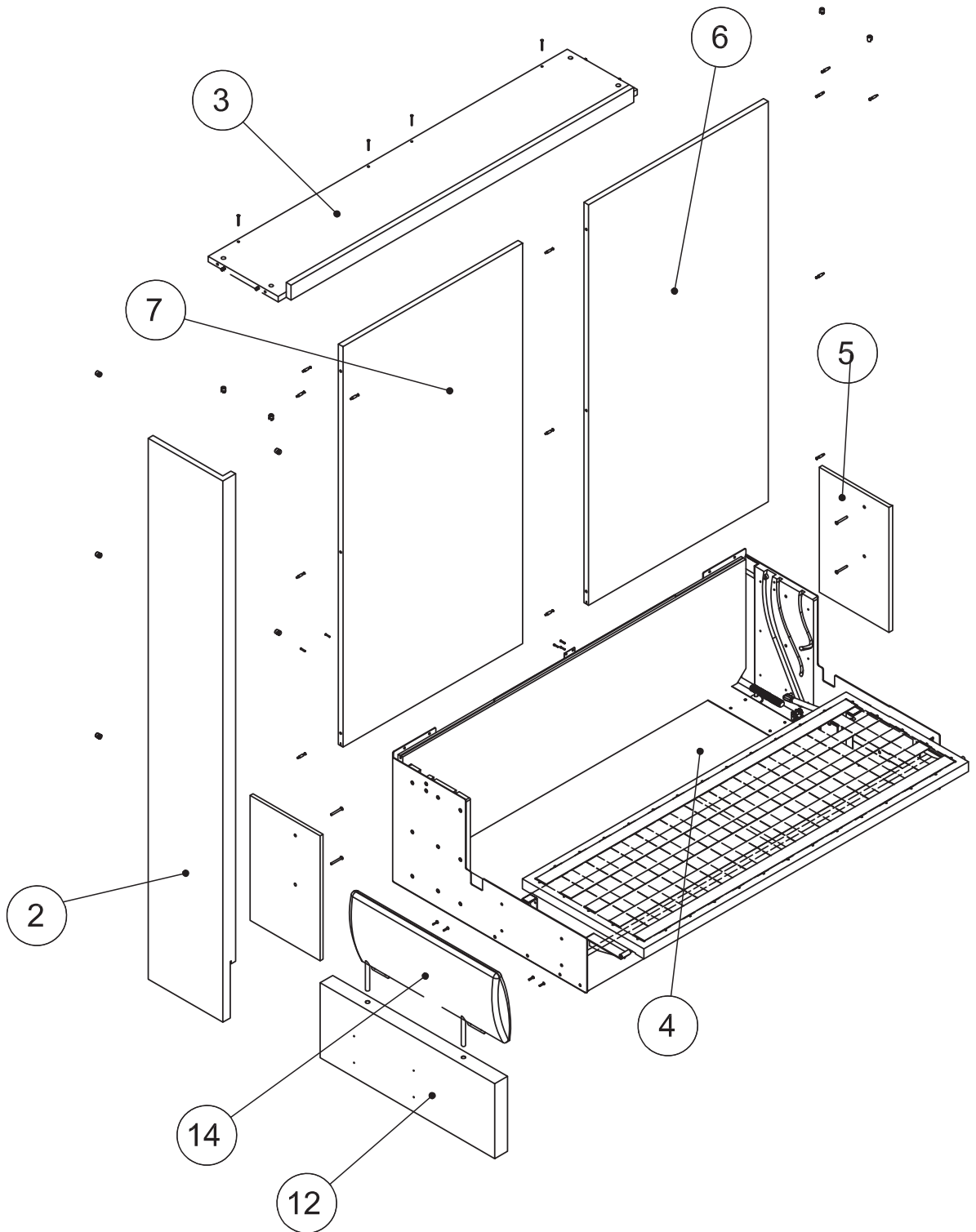


NUOVOLIOLA MATTRESS SPECIFICATIONS

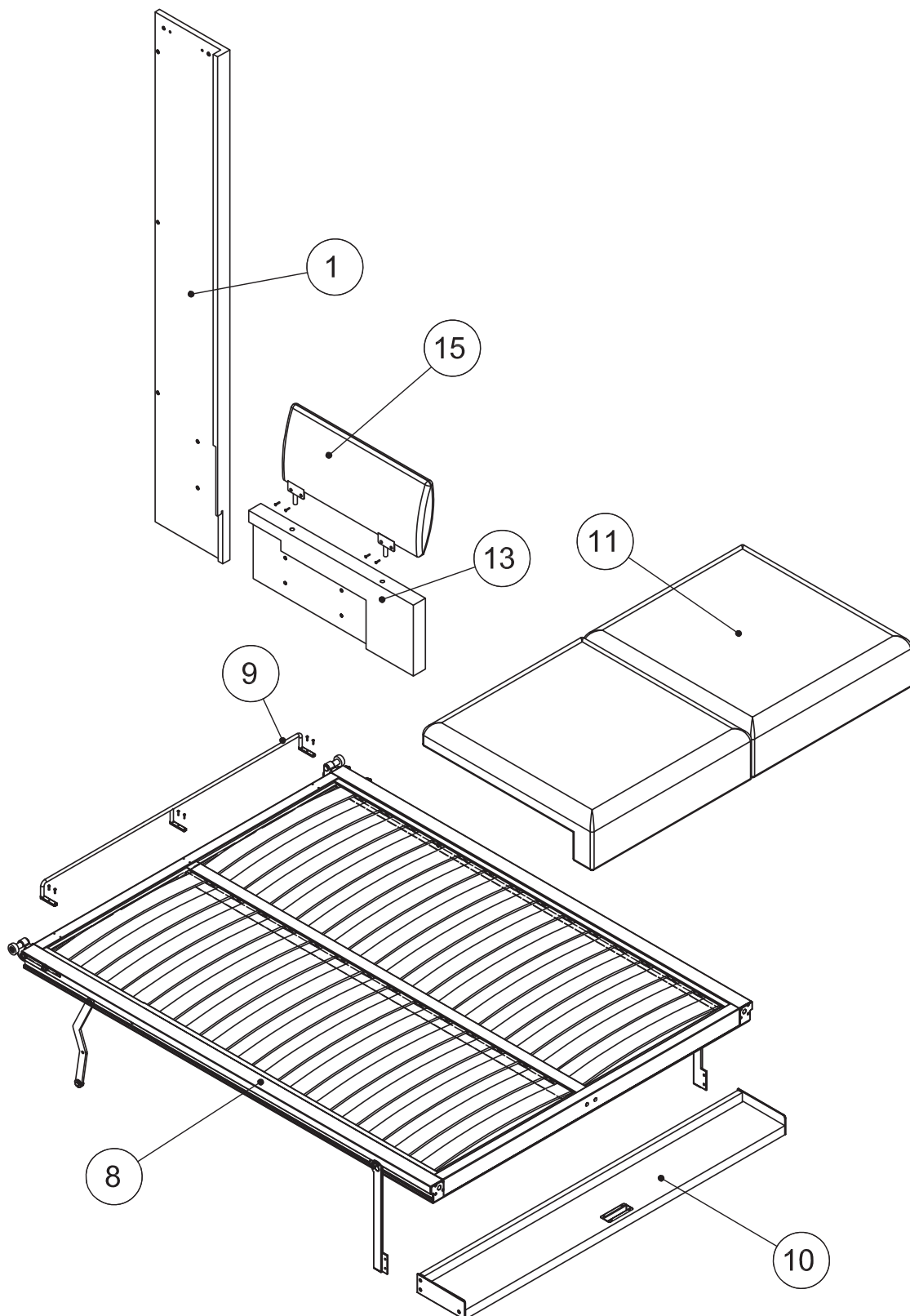
Recommended weight: ~ 64 lbs

Recommended dimensions: 79 1/2 x 60 x 7"

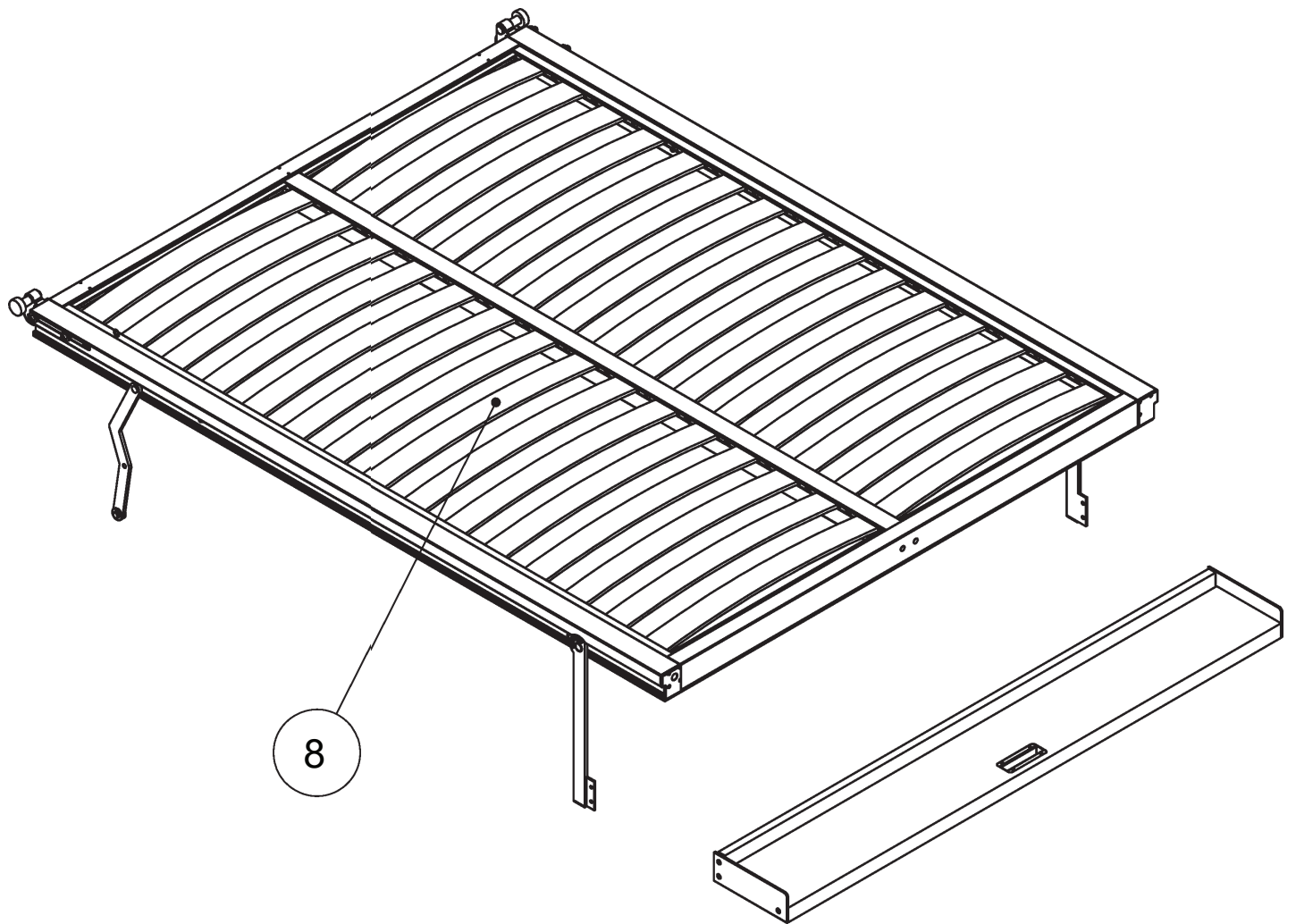
NUOVOLIOLA OVERVIEW



NUOVOLIOLA OVERVIEW



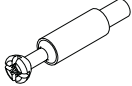

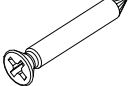
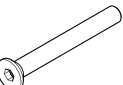
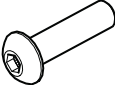
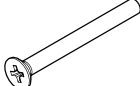
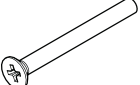
NUOVOLIOLA OVERVIEW



NUOVOLIOLA COMPONENTS

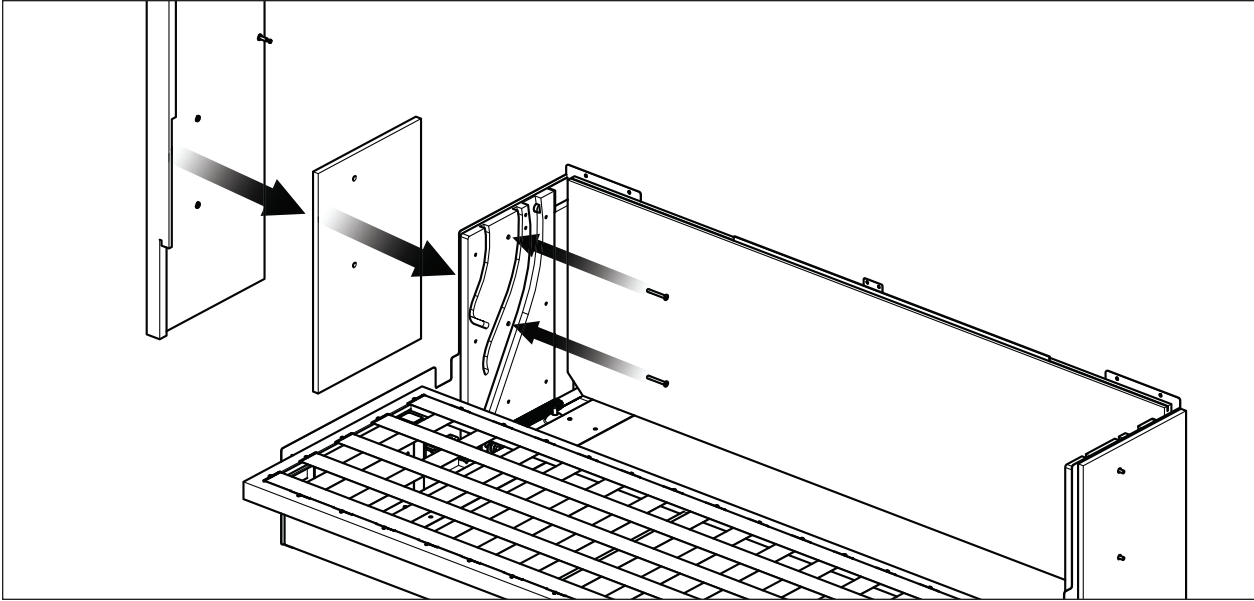
CODE	QTY.	COMPONENTS
1	1	Right side panel
2	1	Left side panel
3	1	Top horizontal panel
4	1	Base with sofa seat
5	2	Left/right small side panels (already attached to 1 & 2)
6	1	Right back panel
7	1	Left back panel
8	1	Bed frame
9	1	Mattress support bar
10	1	Front shelf
11	1	Padded sofa seat
12	1	Wooden sofa arm left
13	1	Wooden sofa arm right
14	1	Padded sofa arm left (optional)
15	1	Padded sofa arm right (optional)

NUOVOLIOLA STRUCTURAL HARDWARE

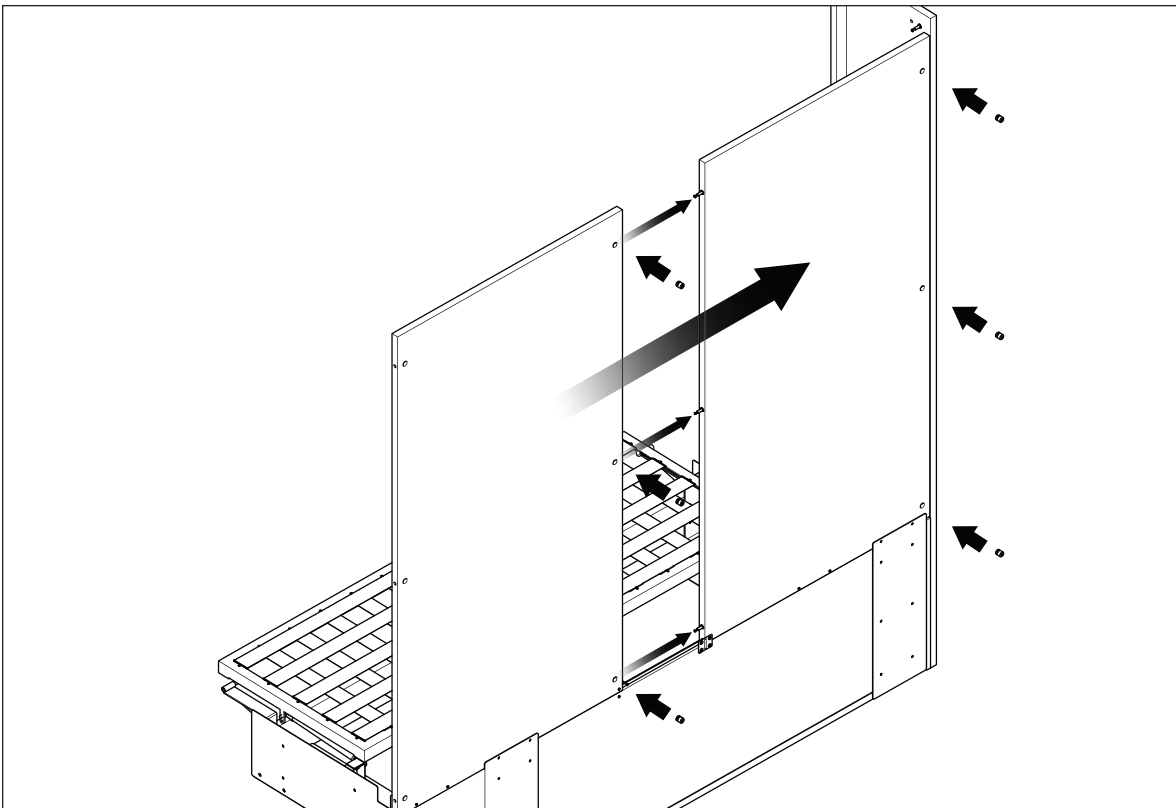
CODE	QTY.	COMPONENT	DESCRIPTION	
A	13	7 x 36 6MA	Pins	
B	13	D15 L17	Cam Connectors	
C	7	3.5 x 20	Wood screws for back panels	
D	4	5MA x 50	Screws for side panels	
E	6	4MA x 18	Screws for mattress support bar	
F	4	4 x 40	Screws to attach top panel	
G	1	4 x 25	Screws for padded back bar	

STRUCTURE ASSEMBLY

1 Attach the (2) left side panel to the (4) base using 2 (D) screws.

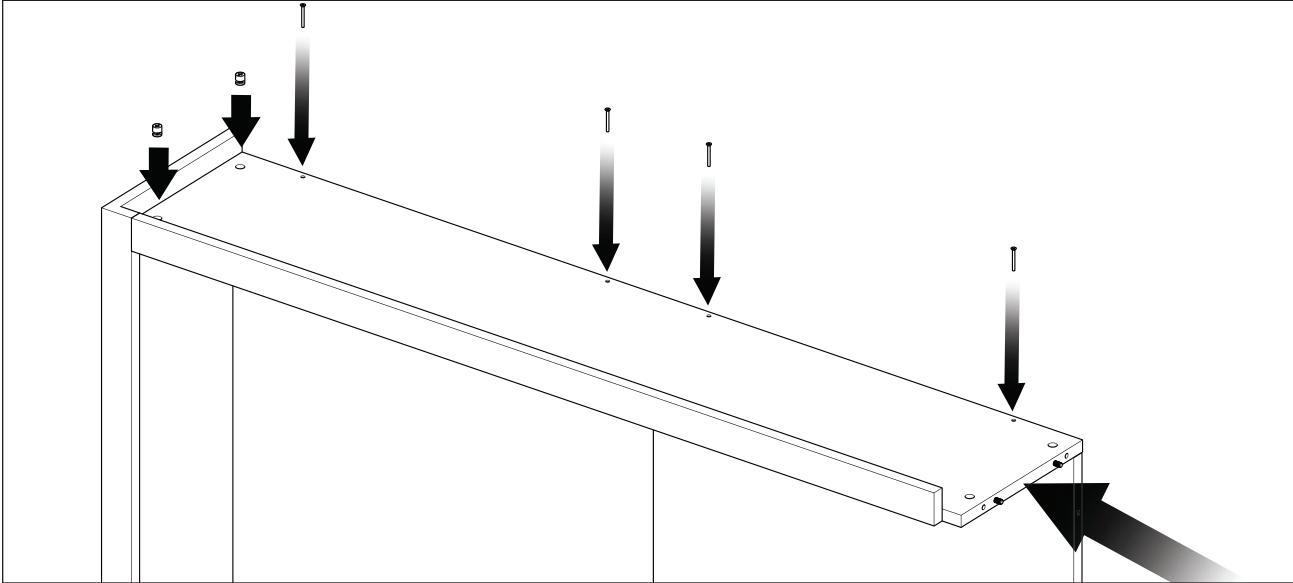


2 Attach the 7 left back panel to the 2 left side panel using 3 A pins and 3 B cam connectors.
Attach the 6 right back panel to the 7 left back panel with 3 A pins and 3 B cam connectors.

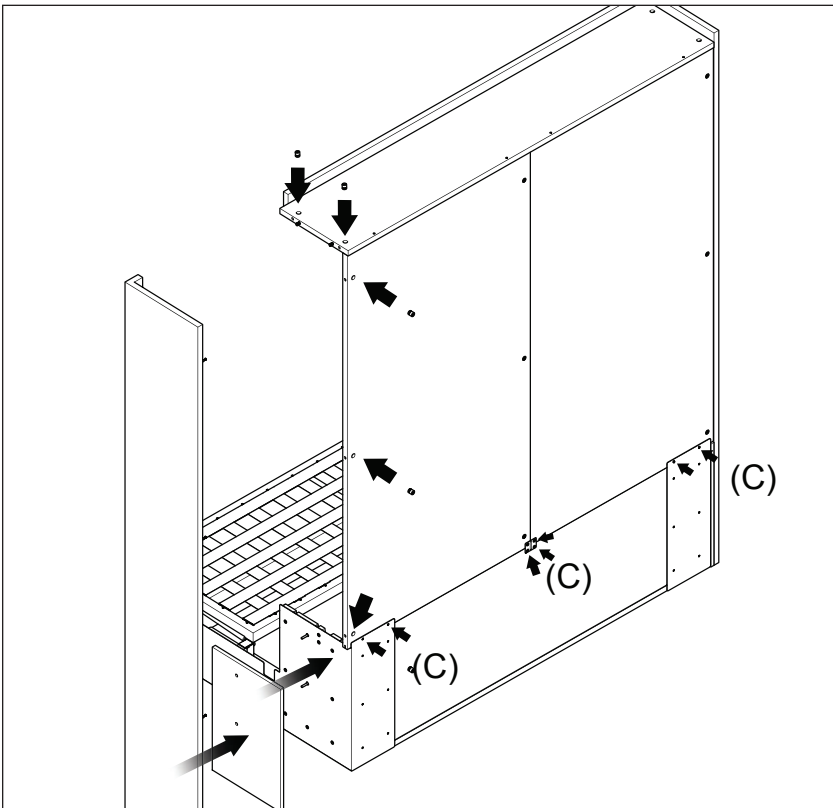


STRUCTURE ASSEMBLY

- 3** Attach the (3) top horizontal panel to the (2) left side panel with 2 (A) pins and 2 (B) cam connectors, and to the back panels with 4 (F) screws.

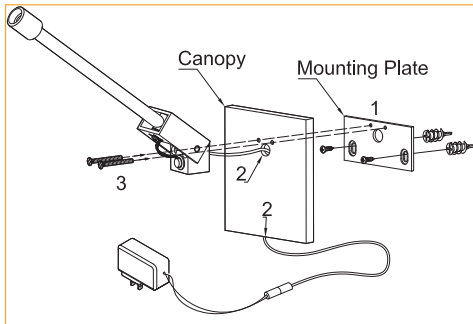


- 4** Attach the 1 right side panel to the 4 base using 2 D screws, and to the top horizontal panel and back panels with 5 A pins and 5 B cam connectors. Secure the back panels to the base using 7 C screws.



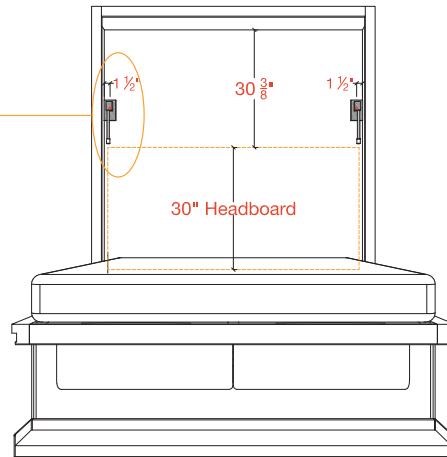
OPTIONAL WAND LIGHTING

- 5 Drill $\frac{1}{2}$ " hole at $21\frac{3}{8}$ " below upper bed structure panel (from inside) and $1\frac{1}{2}$ " in from the side. Install mounting plate with provided wood screws, aligning the $\frac{1}{2}$ " drill holes.

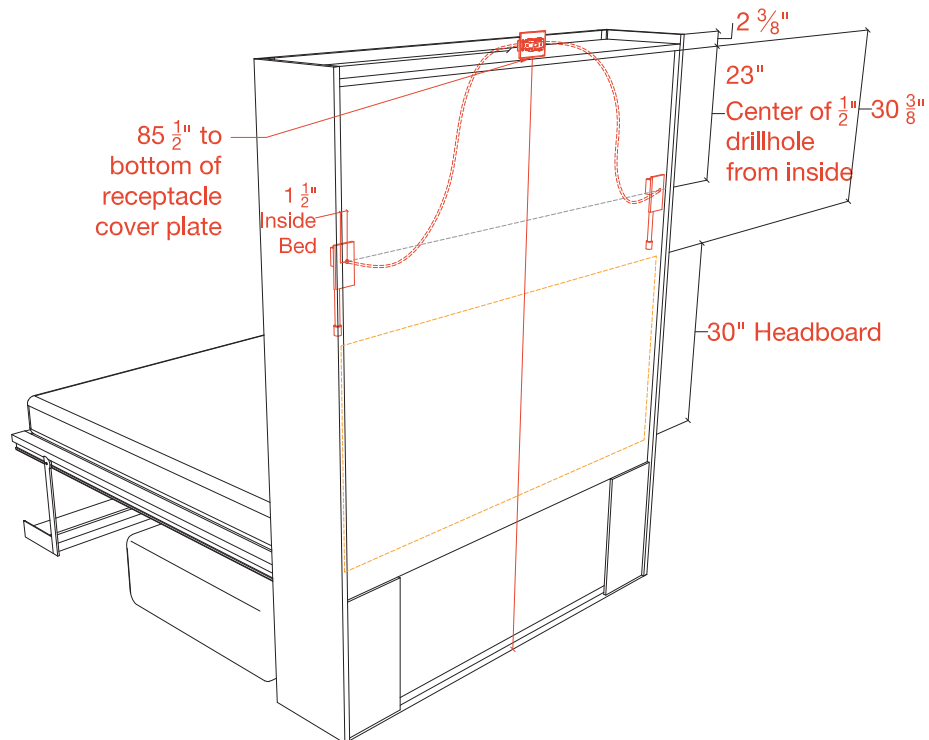


Wand Light Exploded Diagram

Cord Length = 118"



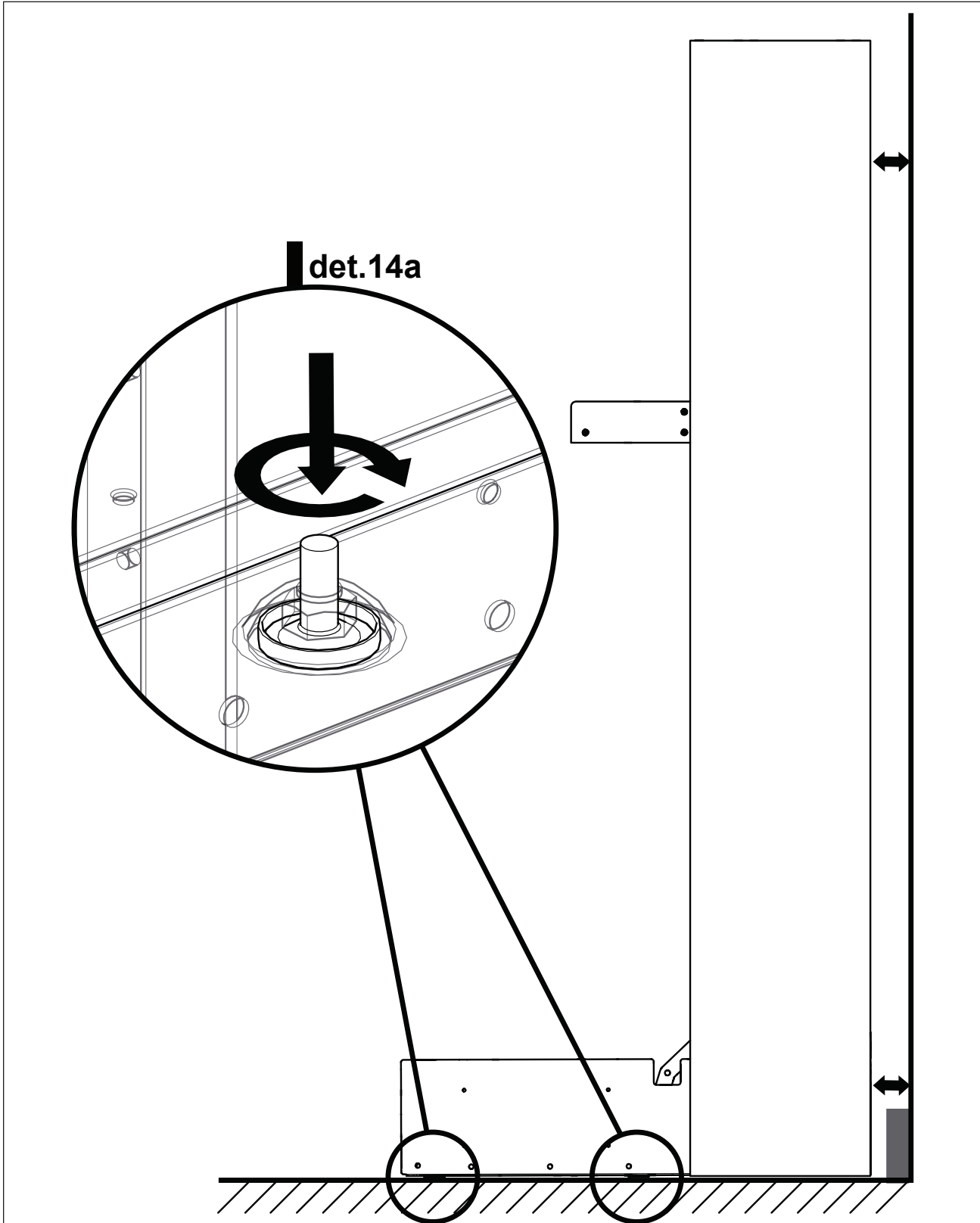
Front



Back

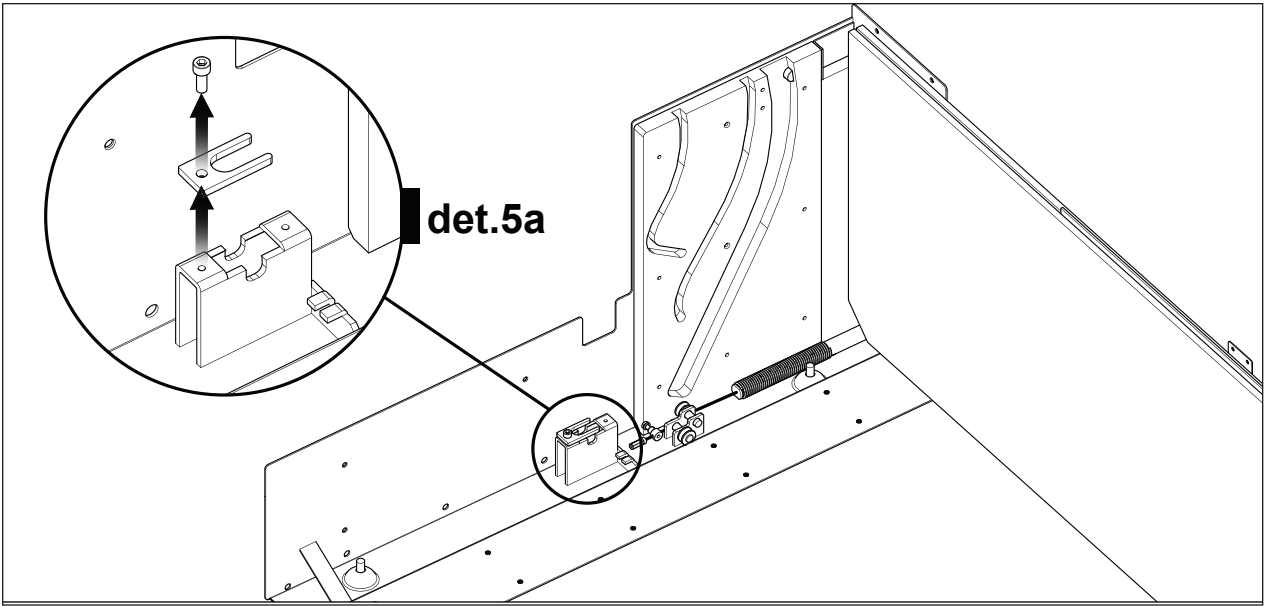
LEVELING THE STRUCTURE

- 6 Ensure that the structure is level and plumb. To compensate for any floor unevenness, use the adjustable feet on the bottom panel (det. 14a) to level the structure.



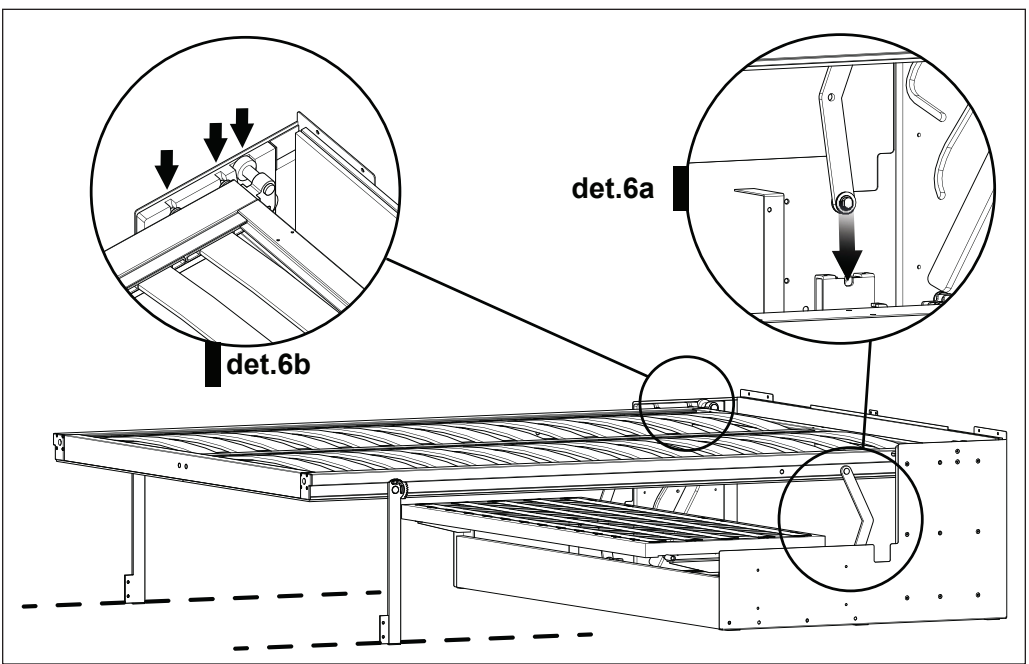
BED FRAME INSTALLATION

7 Unscrew the safety plates fixed to the (4) structure base, as shown in det. 5a.



8 Position the (8) bed frame within the structure as shown. Place the levers located near the head of the bed frame into their slots as shown in det. 6a, and re-attach the safety plates from Image 5. Ensure that pins on the bedframe slide into the base of the structure as shown in det. 6b.

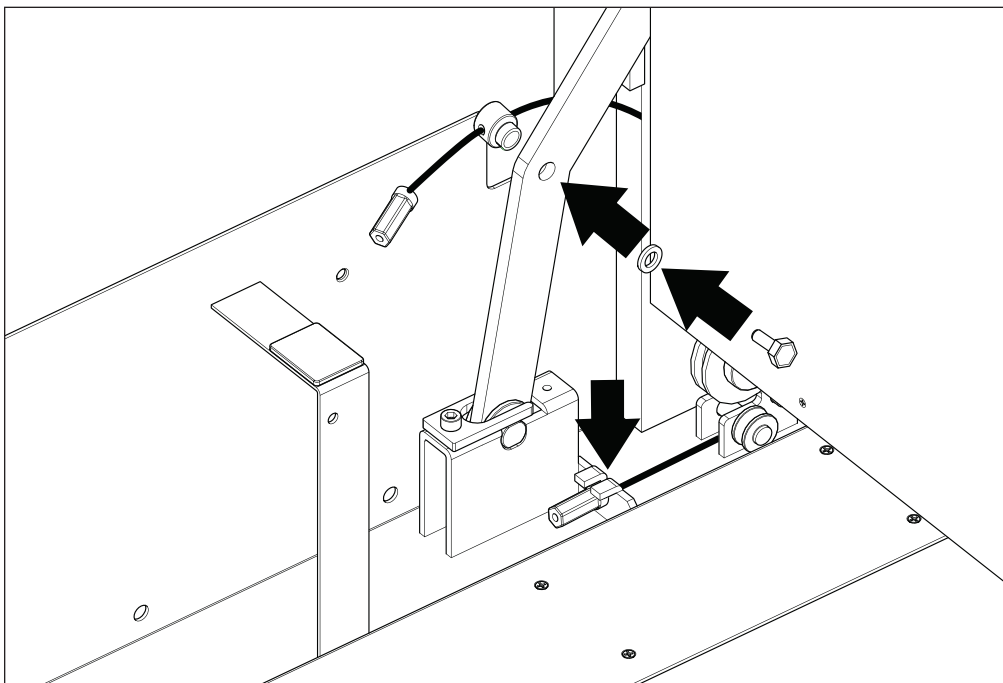
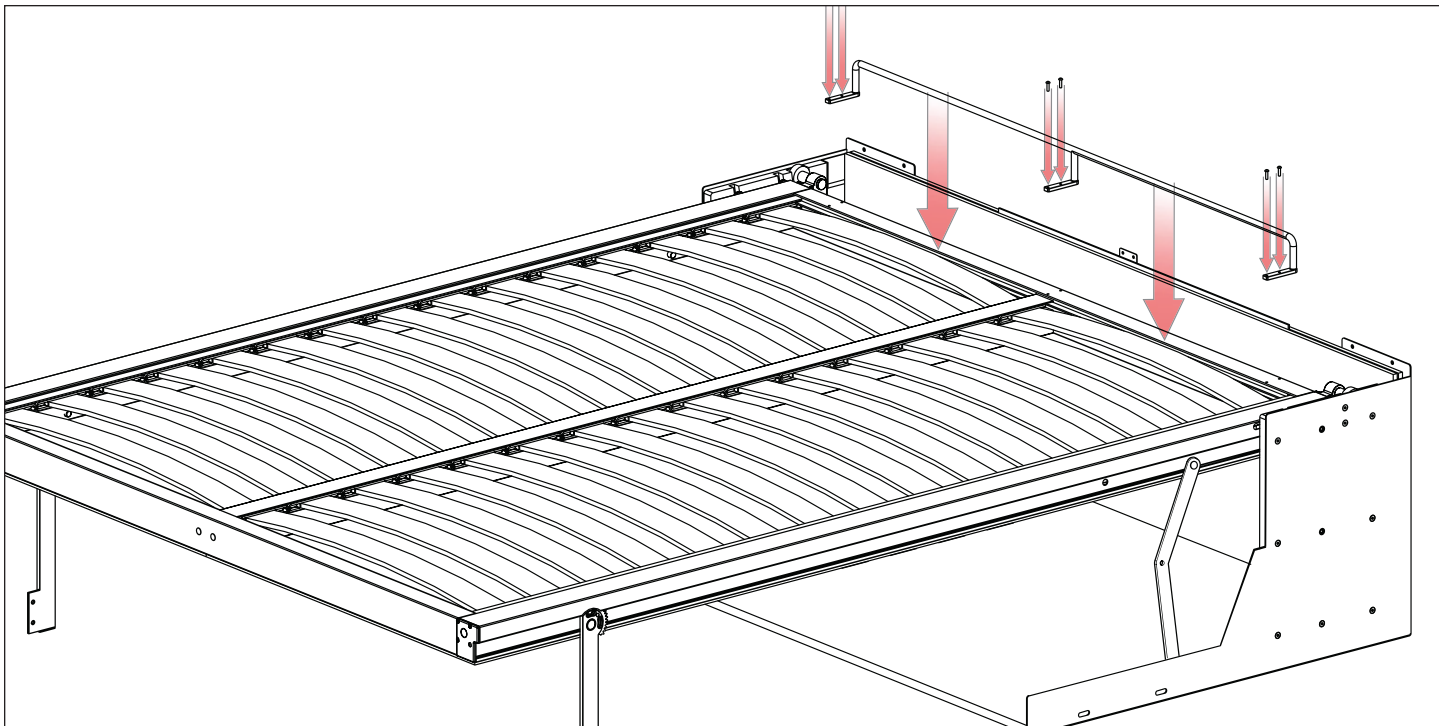
Note: It is recommended to USE proper floor protection around the work area, under the bed frame, so that the metal feet do not scratch the floor.



BED FRAME INSTALLATION

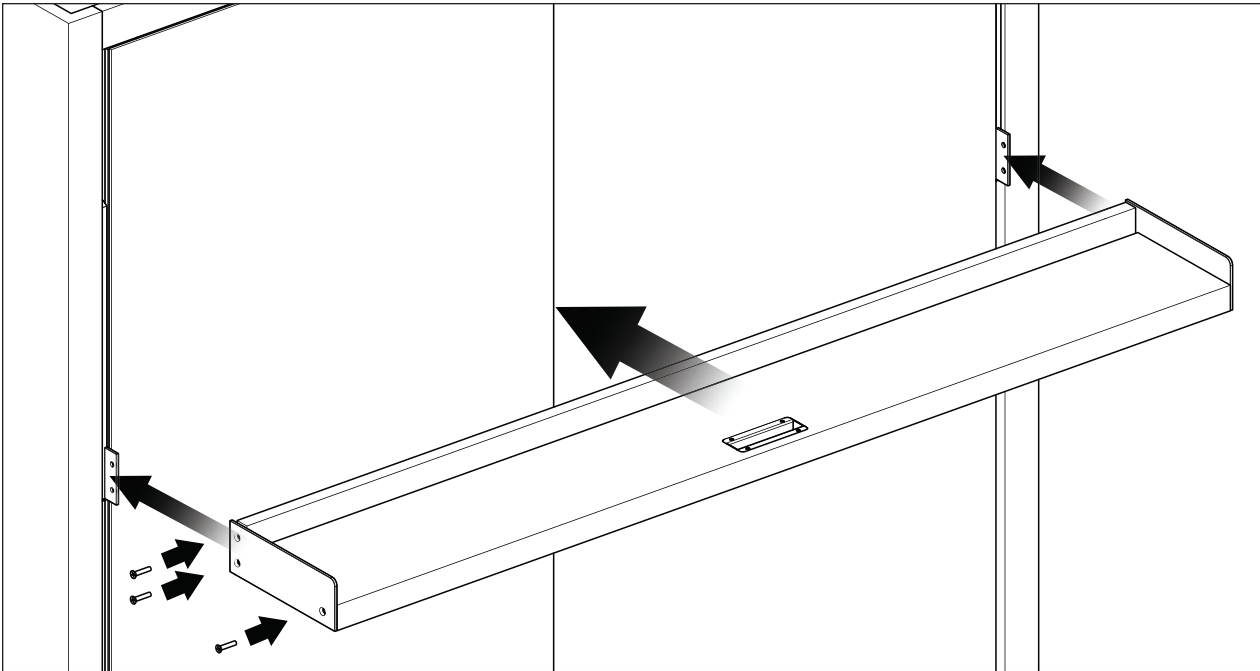
9

Attach the (9) mattress support bar to the bed frame using six (E) screws.



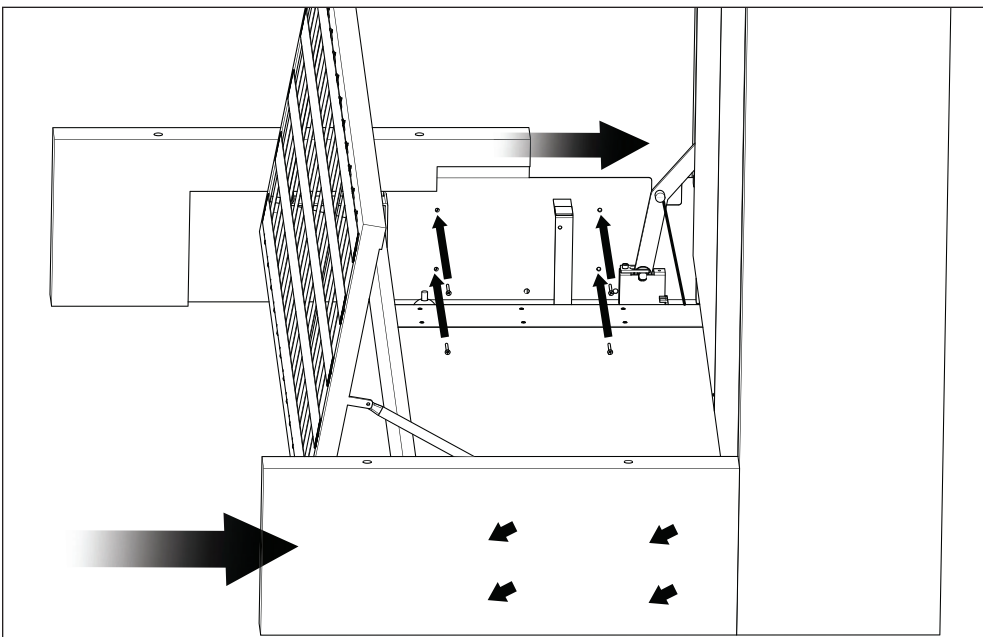
FRONT SHELF INSTALLATION

- 10 Attach the shelf to the feet of the bed frame, as shown, using 4 (G) screws.



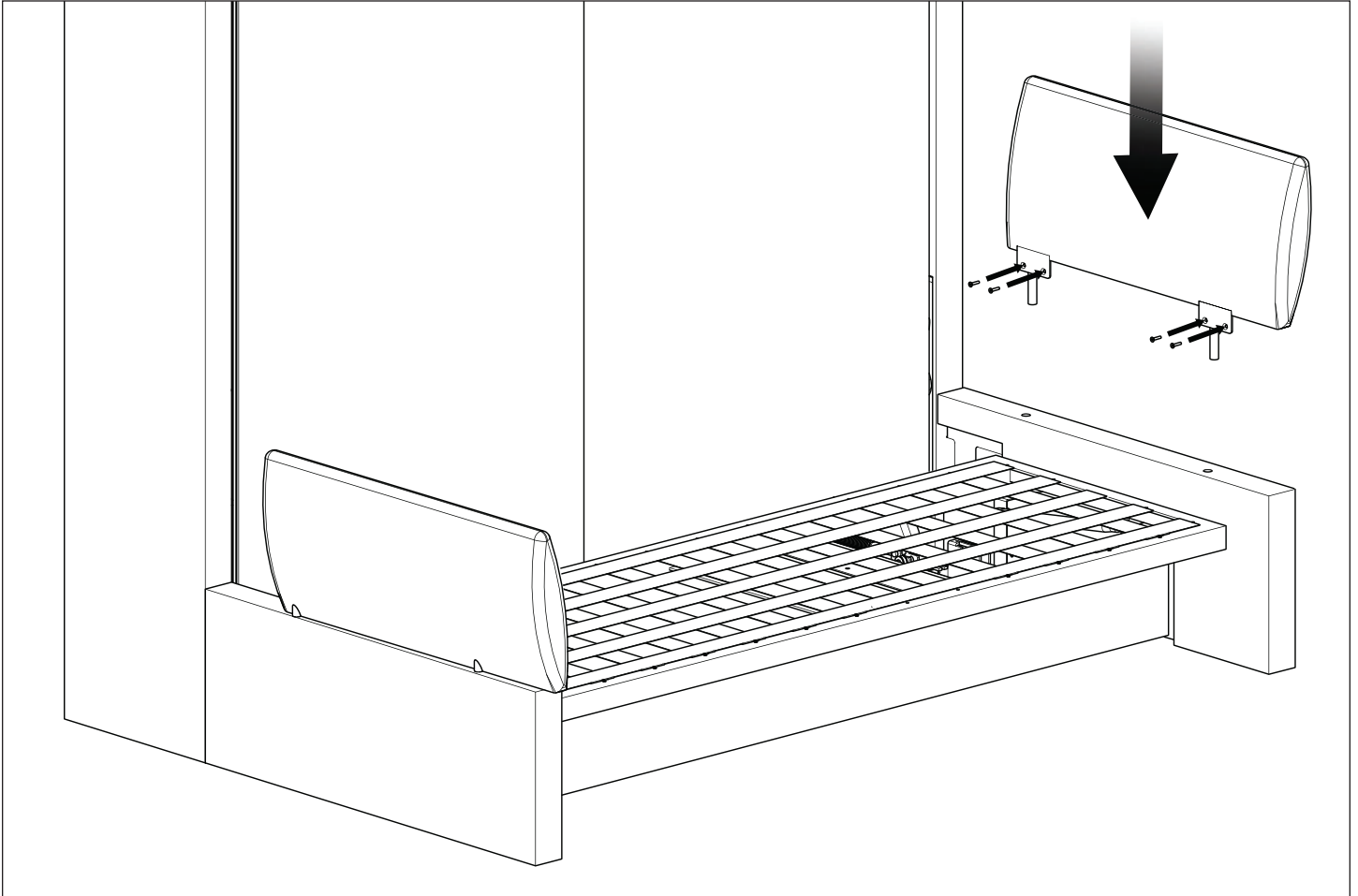
SOFA ARMS INSTALLATION

- 11 Remove the machine bolts from the wooden arms (12-13) and attach the wooden arms to the base (4) using the (8) machine bolts.



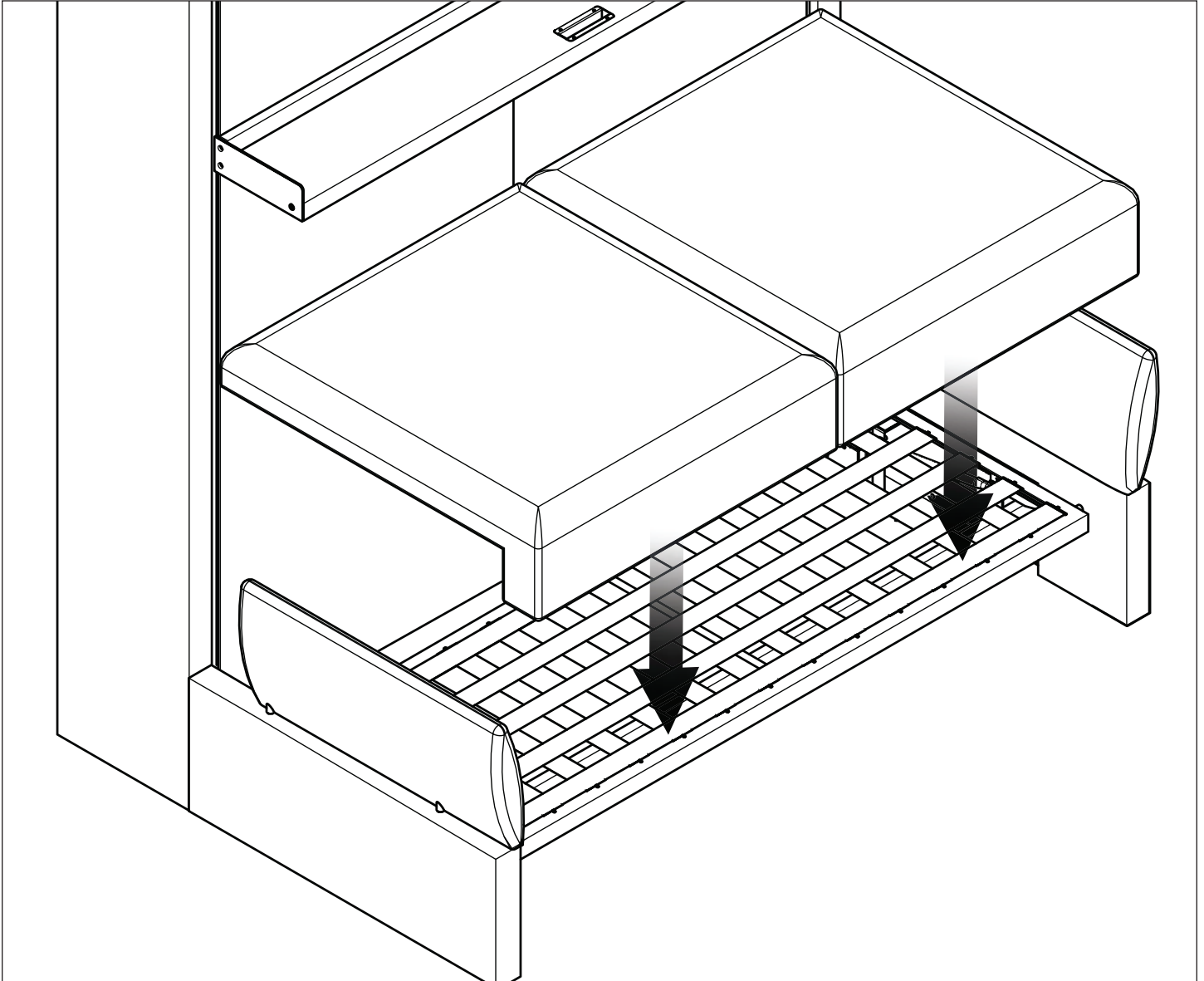
PADDED SOFA ARMS INSTALLATION

- 12** Insert the padded sofa arms (14-15) into the wooden sofa arms (12-13) and fasten using (8) wood screws 4x40 .



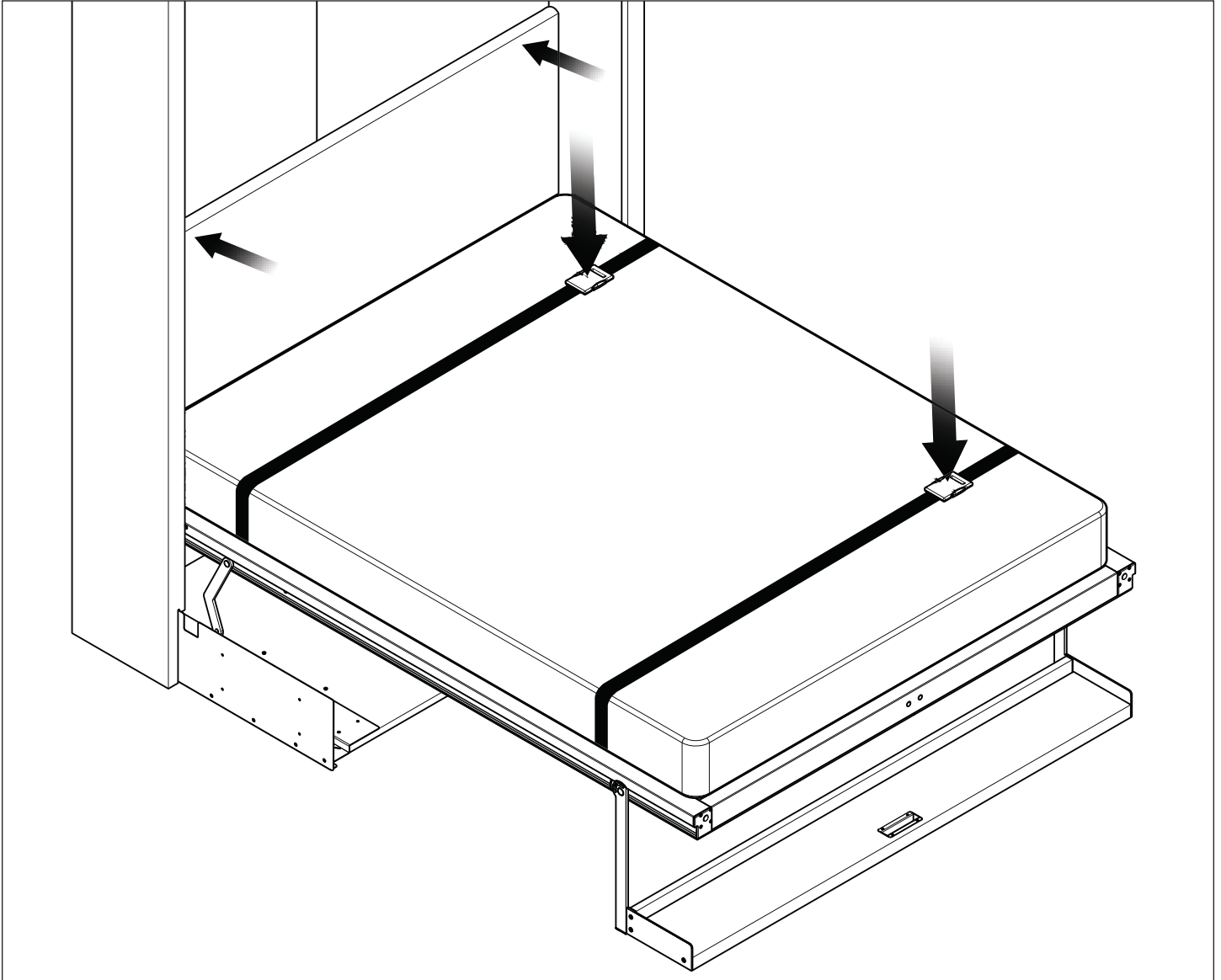
PADDED SOFA CUSHION INSTALLATION

- 13 Place the (11) padded sofa seat on top of the metal sofa seat and attach to the back of the metal sofa seat using the velcro located in back of the padded seat cushion.



MATTRESS AND HEADBOARD INSTALLATION

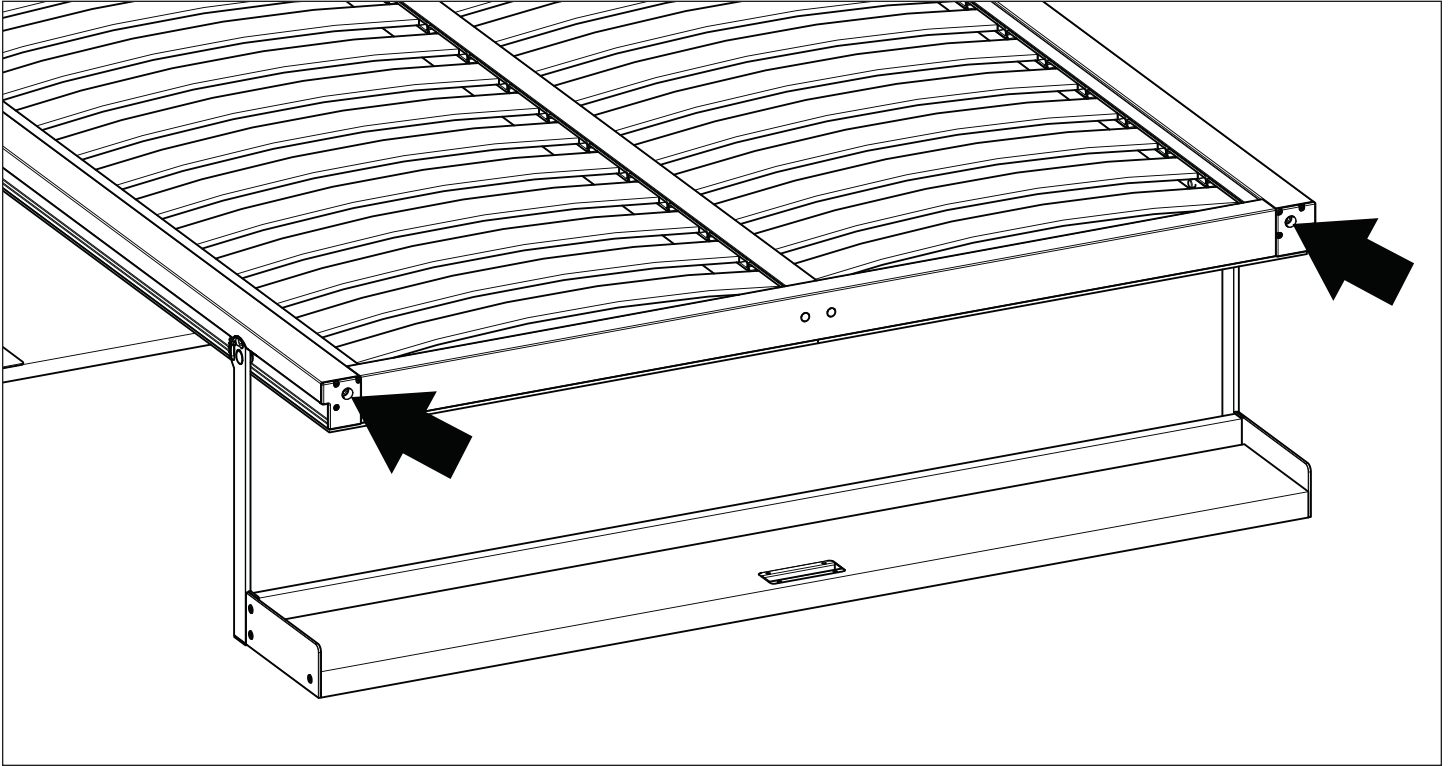
- 14 Attach the headboard (if purchased by client) to the back of the structure. Secure the mattress to the bedframe by fastening the two buckled straps.



BED AND HEADBOARD INSTALLATION

- 15 To balance the bedframe, adjust the spring tension controllers with the 8mm allen wrench provided. Turn clockwise to adjust the tension in order to close the bed with ease. Ensuring that each side of the bedframe is adjusted equally.

Note: An excessive number of turns may damage the cable.



SAFELY OPERATING YOUR NUOVOLIOLA BED

OPENING YOUR NUOVOLIOLA WALL BED

1

Make sure that any and all **items on shelf are stable and secure** at all times.

Prior to opening bed, **remove any items taller than approx. 12.”**

Remove back cushions.

To store the cushions or bedding under seat, lift sofa seat from bottom front edge for **Nuovoliola**.

If you have a coffee table, **push table against sofa. DO NOT STAND ON TABLE!** If you cannot reach shelf, **move table aside.**



2

Grasp the handle located in the middle of the shelf and **pull** with one hand, while supporting the top of the bed frame with the other as you walk backwards, allowing the bed frame to **descend under control.**



3

Make sure to **support the bed** frame with both hands for the entire descent until the shelf is firmly resting on the floor.

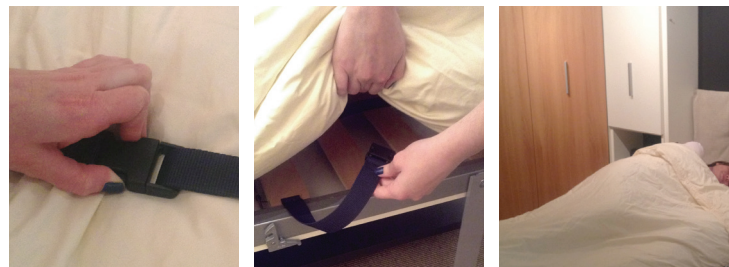
It may be necessary to **gently push down** on the bed frame for the final few inches.



4

Release the two mattress **straps** by squeezing the center of the clasp.

Tuck the straps under the mattress.



5

Sleep!

SAFELY OPERATING YOUR NUOVOLIOLA BED

OPENING YOUR NUOVOLIOLA WALL BED

1

Remove pillows and **tuck bedding in** on all sides around mattress.

Close both mattress **straps** around the bedding.



2

Stand in the middle of the bed, **grasp front edge** of bed frame and lift.

Continue to **lift bed frame** as you walk forward toward wall.

Push bed frame into structure until the bed frame is completely vertical.

Replace cushions.



3

Have a great day!

NOTE: Your Nuovoliola is designed so that most bedding can remain on the bed when closed. If you experience difficulty closing the bed, your bedding might be too thick.

