

# Assembly Instructions








## Kali Duo Sofa



resource

# WARNING

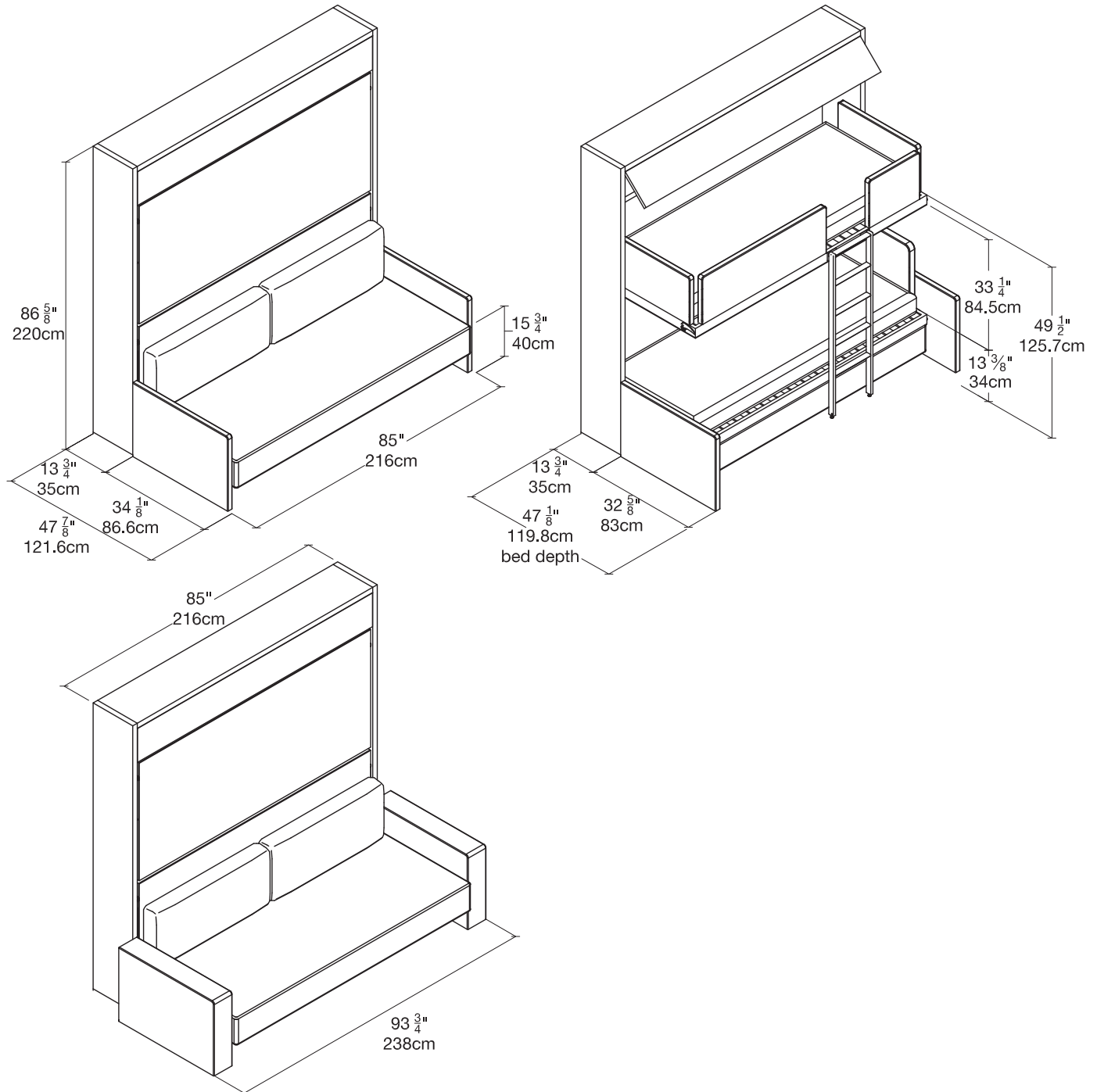
READ CAREFULLY BEFORE BEGINNING INSTALLATION.  
IMPROPER INSTALLATION OF THE PRODUCT MAY CAUSE SERIOUS INJURY

-  Installation must be performed by a licensed contractor or a trained professional, who will ensure proper assembly and installation.
-  Installation must be performed by at least 2 people.
-  Improper installation of this product can cause serious or fatal injury.
-  Improper installation may result in permanent damage to the bed.
-  The wall bed must be secured to the wall in four locations using appropriate hardware. The contractor or installer must select the proper anchoring hardware.
  - The wall anchors included are for solid concrete walls only.
  - Walls with wooden studs: Wood screws must be screwed into wooden studs in the wall.
  - Any other wall composition: A proper wall anchor suitable for the wall's construction must be selected by the contractor or installer.
-  No anchor can be used twice. If the product is removed from the wall, new anchor holes must be drilled and new hardware must be used.
-  All hardware must be properly tightened. No parts of the model should be left loose or unstable.

Warranties for all products purchased from Resource Furniture, LLC are only valid if the product has been properly assembled, installed by a trained professional, and operated in accordance with the assembly instructions.

Resource Furniture accepts no responsibility for any damage or injury caused by improper installation.

# KALI DUO SOFA OVERVIEW

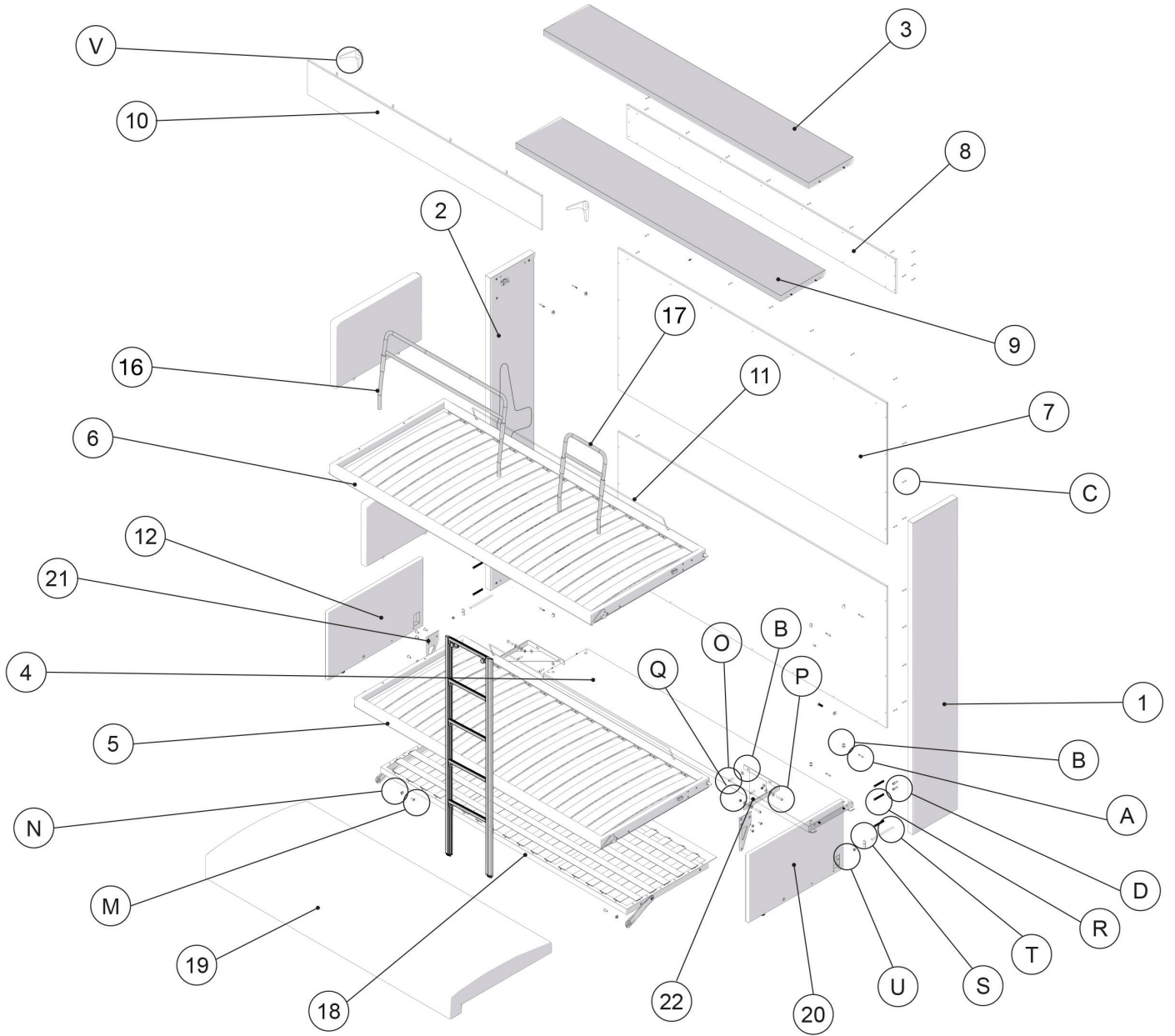


## KALI DUO SOFA MATTRESS SPECIFICATIONS

Recommended weight: ~ 31-35 lbs

Recommended dimensions: 31 1/2" x D 77 1/2" x H 7"

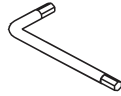
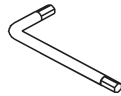
# KALI DUO SOFA OVERVIEW



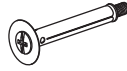
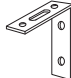
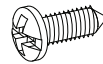
# KALI DUO SOFA COMPONENTS

CODE	QTY.	COMPONENTS
1	1	Right side panel
2	1	Left side panel
3	1	Top horizontal panel
4	1	Bottom horizontal panel
5	1	Lower Bed frame
6	1	Upper Bed frame
7	2	Back panels
8	1	Upper back panel (IN only)
9	1	Structural Shelf (IN only)
10	1	Upper storage cabinet door (IN only)
11	2	Metal bars for mattresses
12	2	Headboards
15	1	Ladder
16	1	Left (long) padded barrier
17	1	Right (short) padded barrier
18	1	Sofa frame
19	1	Padded sofa seat
20	2	Sofa armrests
21	2	Metal plates for sofa frame
22	2	Triangular reinforcement plates for sofa frame

# KALI DUO SOFA TOOLS

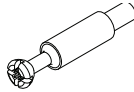
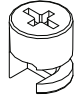

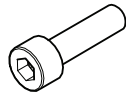
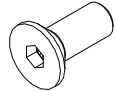

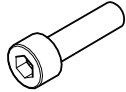
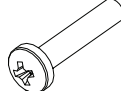



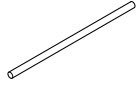

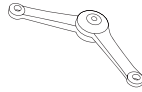
QTY.	DESCRIPTION	
1	Allen wrench 4 MM	
1	Allen wrench 6 MM	

# KALI DUO SOFA WALL MOUNTING HARDWARE

CODE	QTY.	DESCRIPTION	
WA	3	Wall anchors supplied anchors are for solid concrete walls only	
WA	3	Wall brackets	
WA	18	Bracket screws	

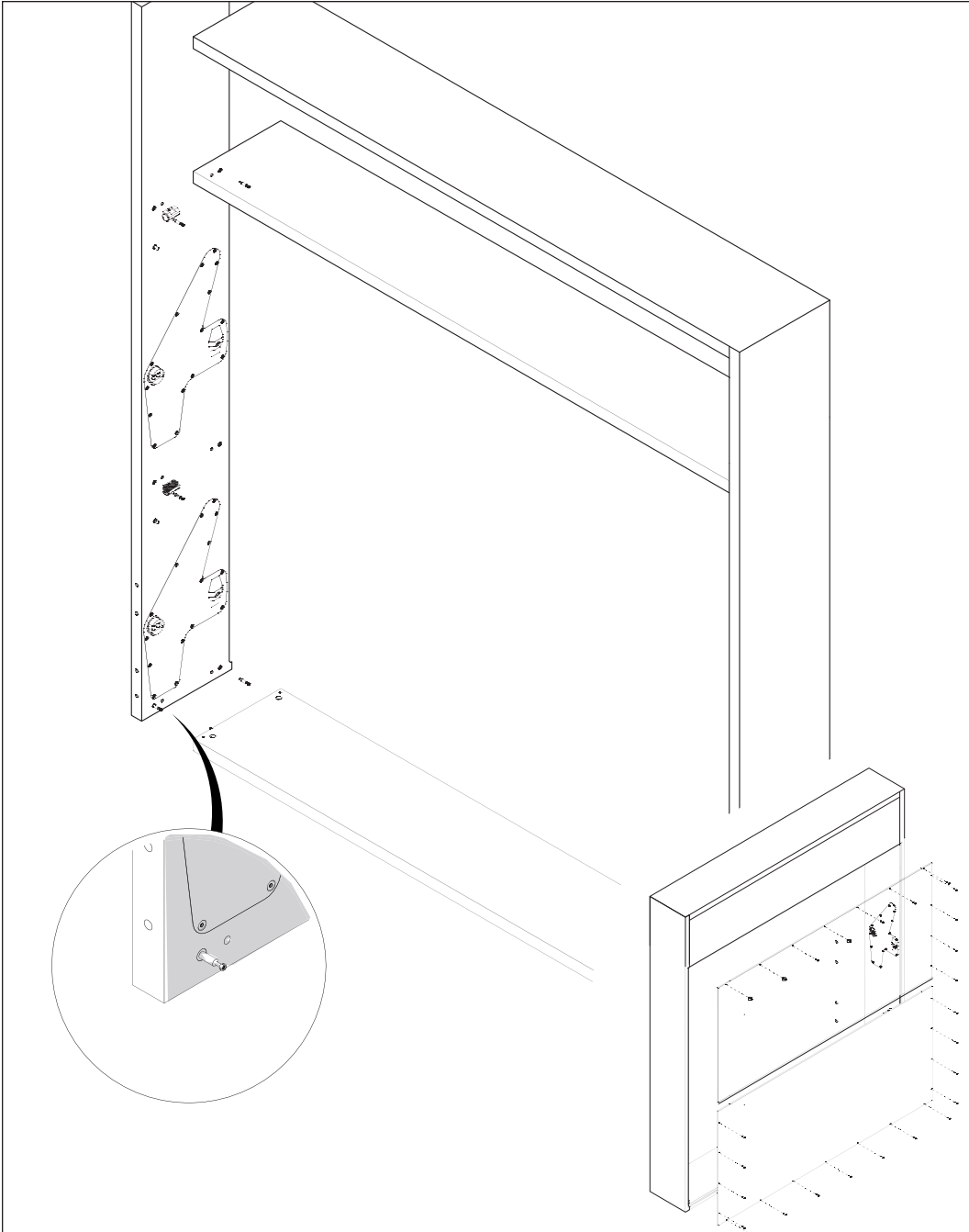
**Note:** The installer must determine the composition of the wall and appropriate anchors prior to installation. The wall anchors included are for solid concrete walls only.

# KALI DUO SOFA STRUCTURAL HARDWARE

CODE	QTY.	DESCRIPTION	
A	12	Pins	
B	12	Cam connectors	
C	44	Phillips screw	
D	8	Hex screws - for attaching bed frame to structure	
M	10	Hex Screw - for attaching sofa frame to structure	
N	4	Conical Washer - for attaching sofa frame to structure and sofa armrests	
O	4	Hex Screw - for attaching triangular sofa plates to structure	
P	4	Phillips Screw - for triangular sofa reinforcement plates	
Q	12	Washers	
R	6	Dowels - for attaching sofa armrests to structure	
S	2	Metal Plate - for attaching sofa armrests to structure	
T	2	Threaded Rod - for attaching sofa armrests to structure	
U	6	Hex Nut - for attaching sofa armsrests to structure	
V	2	Metal Brackets	

# STRUCTURE ASSEMBLY

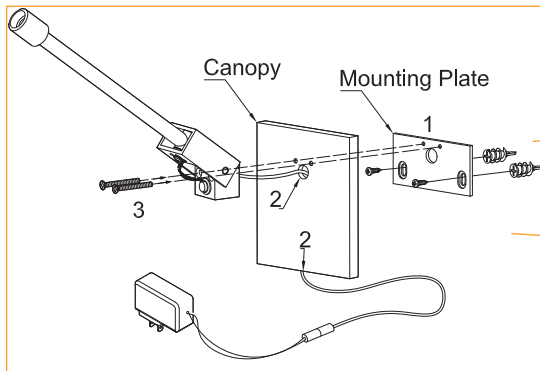
- 1 Screw 8 (A) pins into the (1) right vertical and (2) left vertical panels. Attach the (4) horizontal bottom panel ; (3) horizontal top panel and (9) structural shelf to the vertical panels by inserting and tightening 12 (B) cams. Attach the (7) back panels to the structure with 22 (C) Phillips screws.



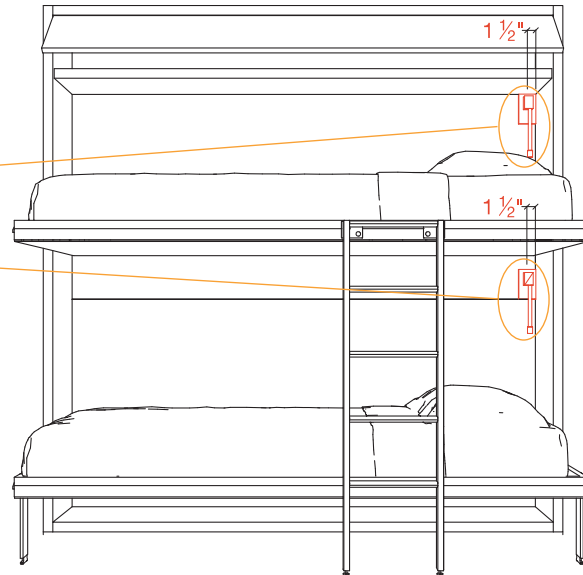


# OPTIONAL WAND LIGHTING

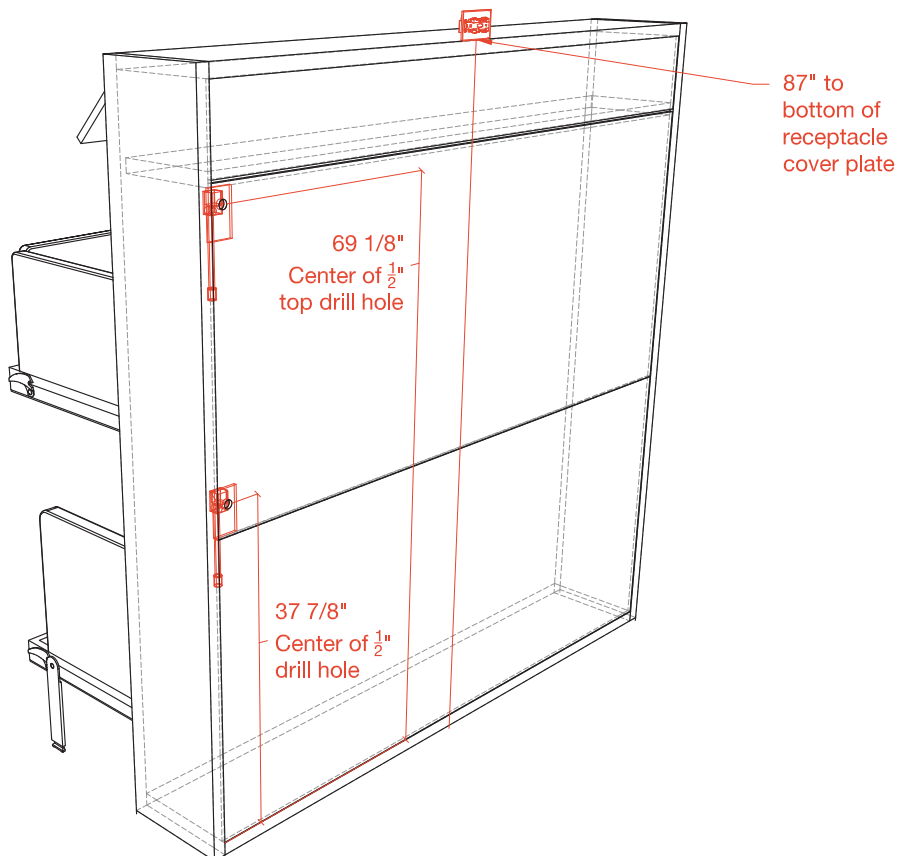
- 2** Drill  $\frac{1}{2}$ " hole at  $37 \frac{7}{8}$ " measured from the bottom of the structure (from inside) and  $1 \frac{1}{2}$ " in from the side. Drill  $\frac{1}{2}$ " hole at  $69 \frac{1}{8}$ " measured from the bottom of the structure (from inside) and  $1 \frac{1}{2}$ " in from the side.



Wand Light Exploded Diagram  
Cord Length = 118"



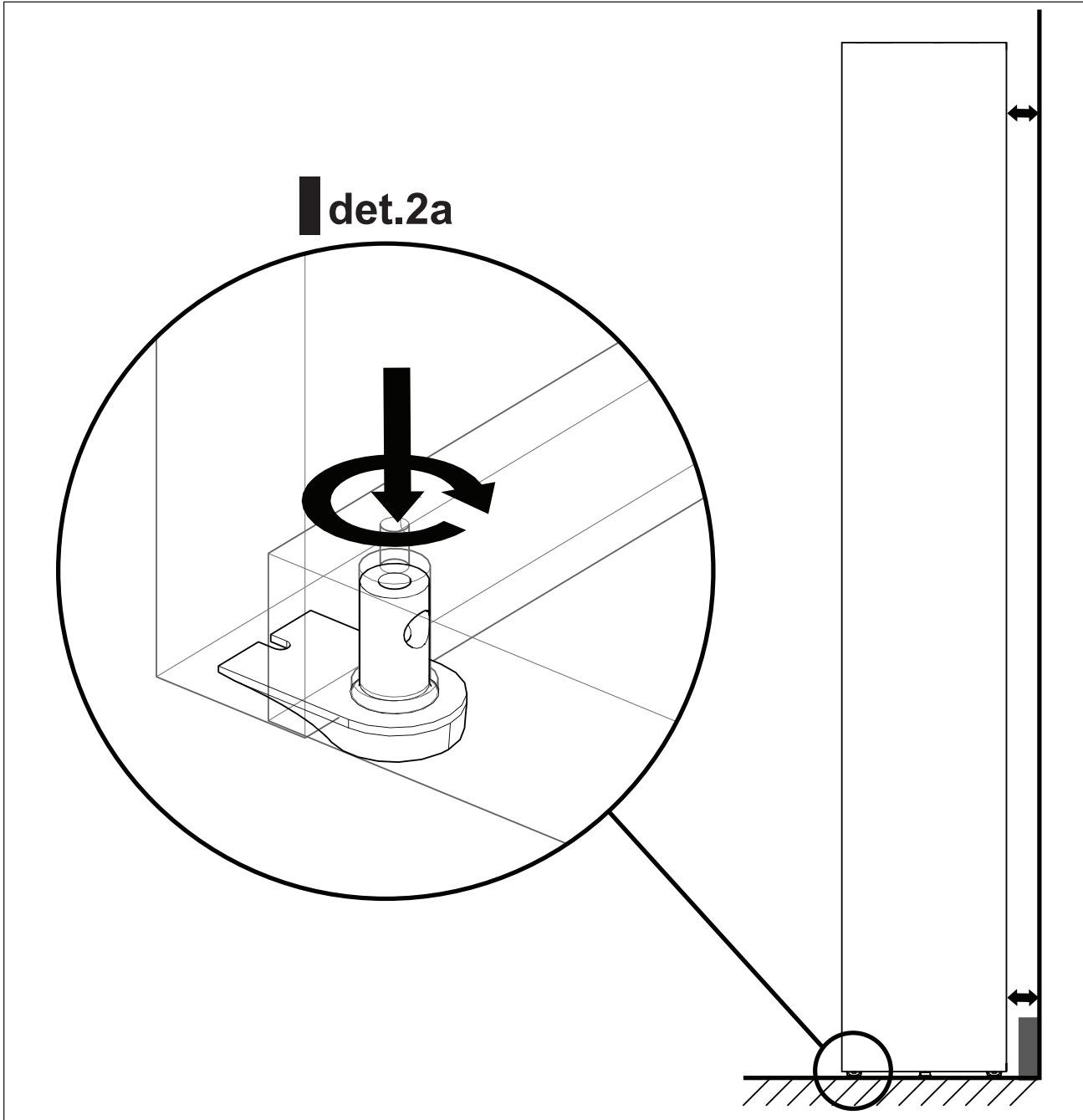
Front



Back

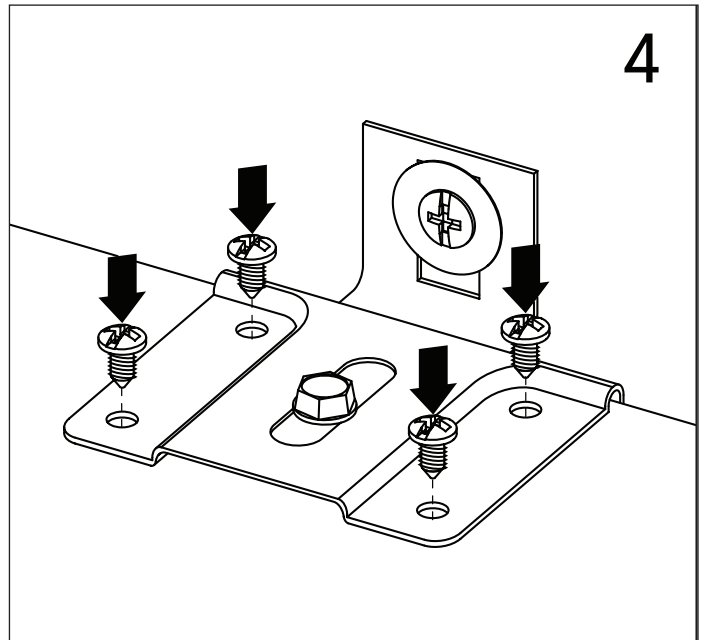
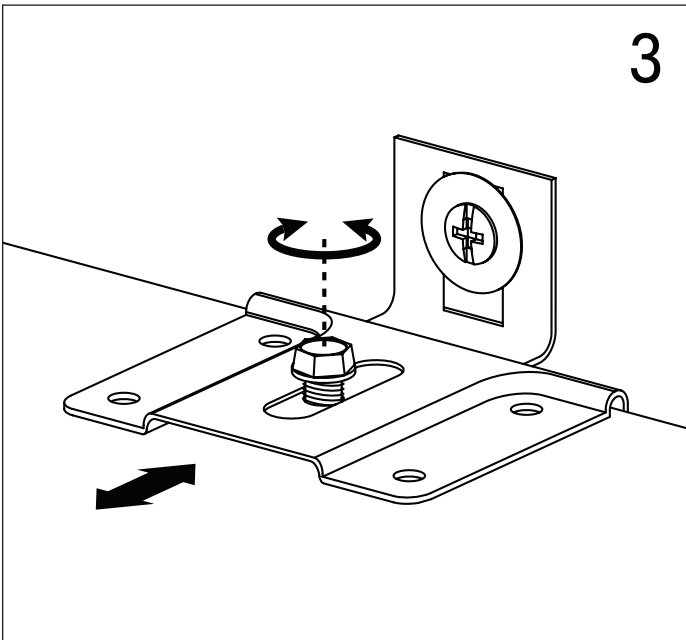
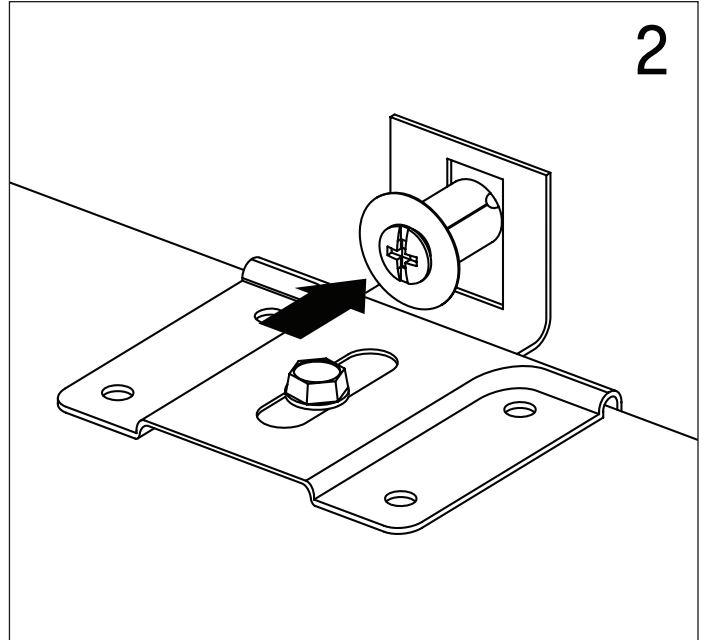
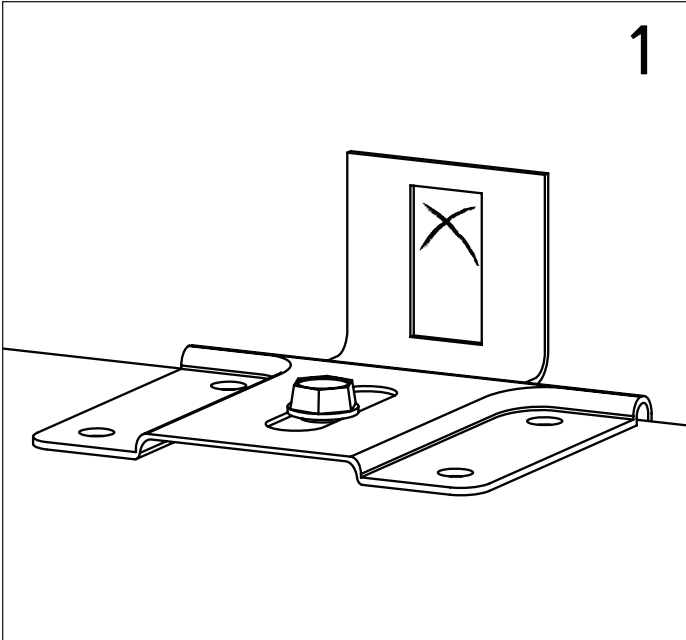
# LEVELING THE STRUCTURE

- 3** Ensure that the structure is level and plumb. To compensate for any floor unevenness, use the adjustable feet on the (4) horizontal bottom panel (det. 2a) to level the structure.



# WALL BED ATTACHMENT

**4** After the unit is level and plumb it should be securely attached to the wall using the metal angle mounting brackets as shown in the images below. A proper wall anchor suitable for the wall's construction must be selected by the contractor or installer.



# UPPER STORAGE ASSEMBLY

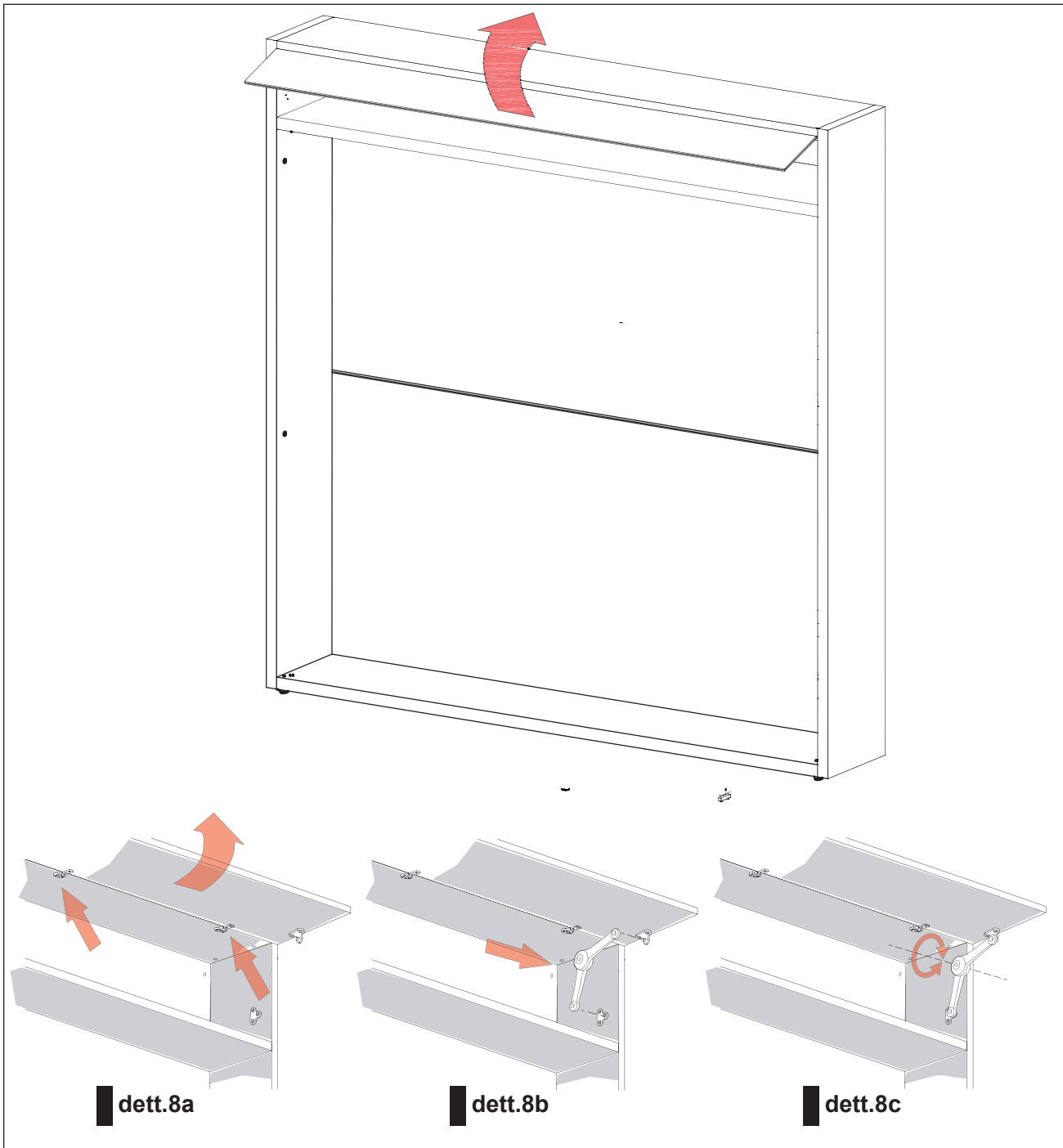
5

(2200) MODEL WITH UPPER STORAGE ONLY ASSEMBLY OF UPPER STORAGE

A - Open the upper storage cabinet fully and attach the 4 hinges to the metal plates on the top panel.

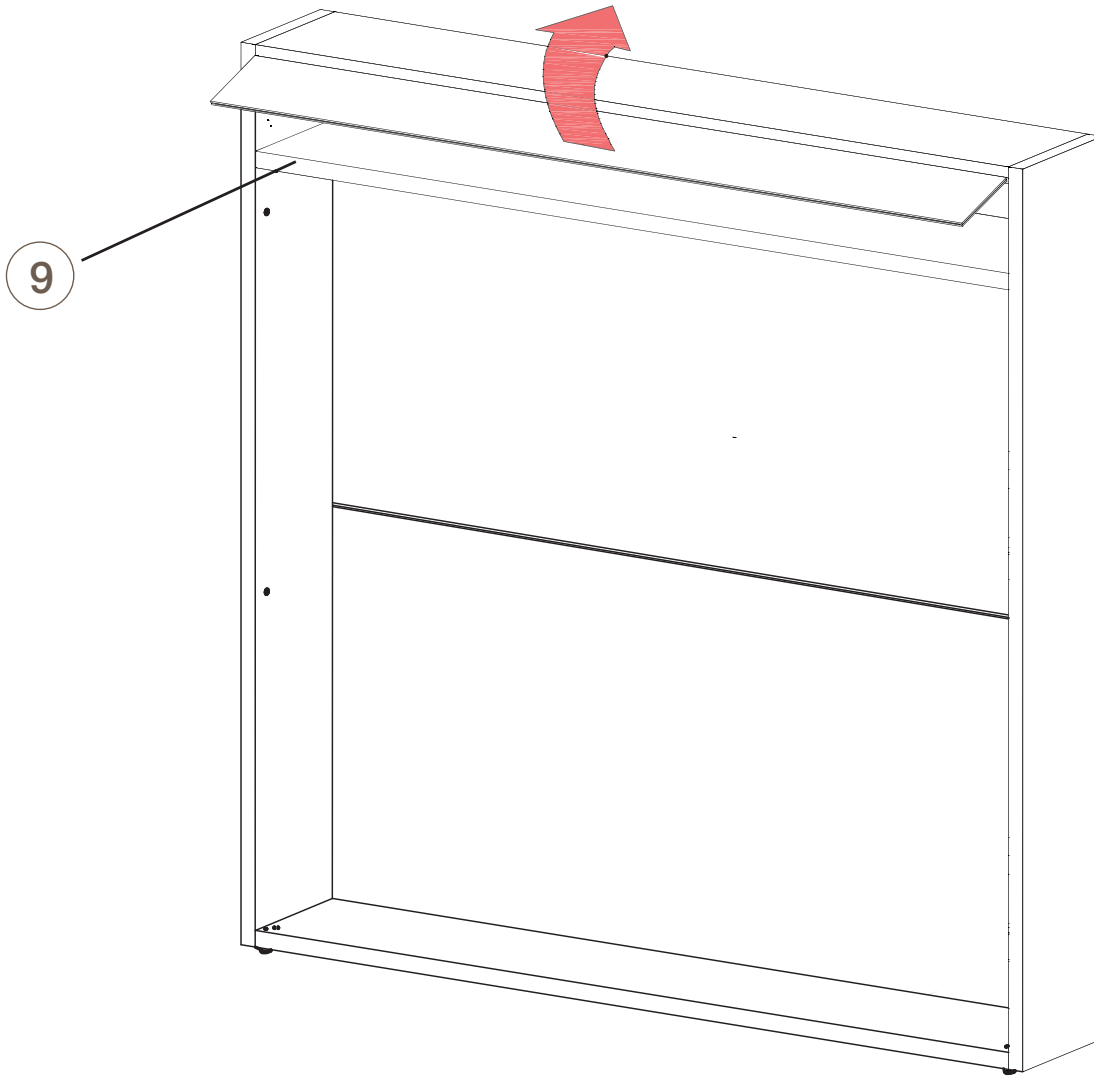
B - Attach the 2 (V) metal brackets to each side of the cabinet.

C - Using an allen wrench, adjust the bracket so that it can fully support the weight of the storage door when open.



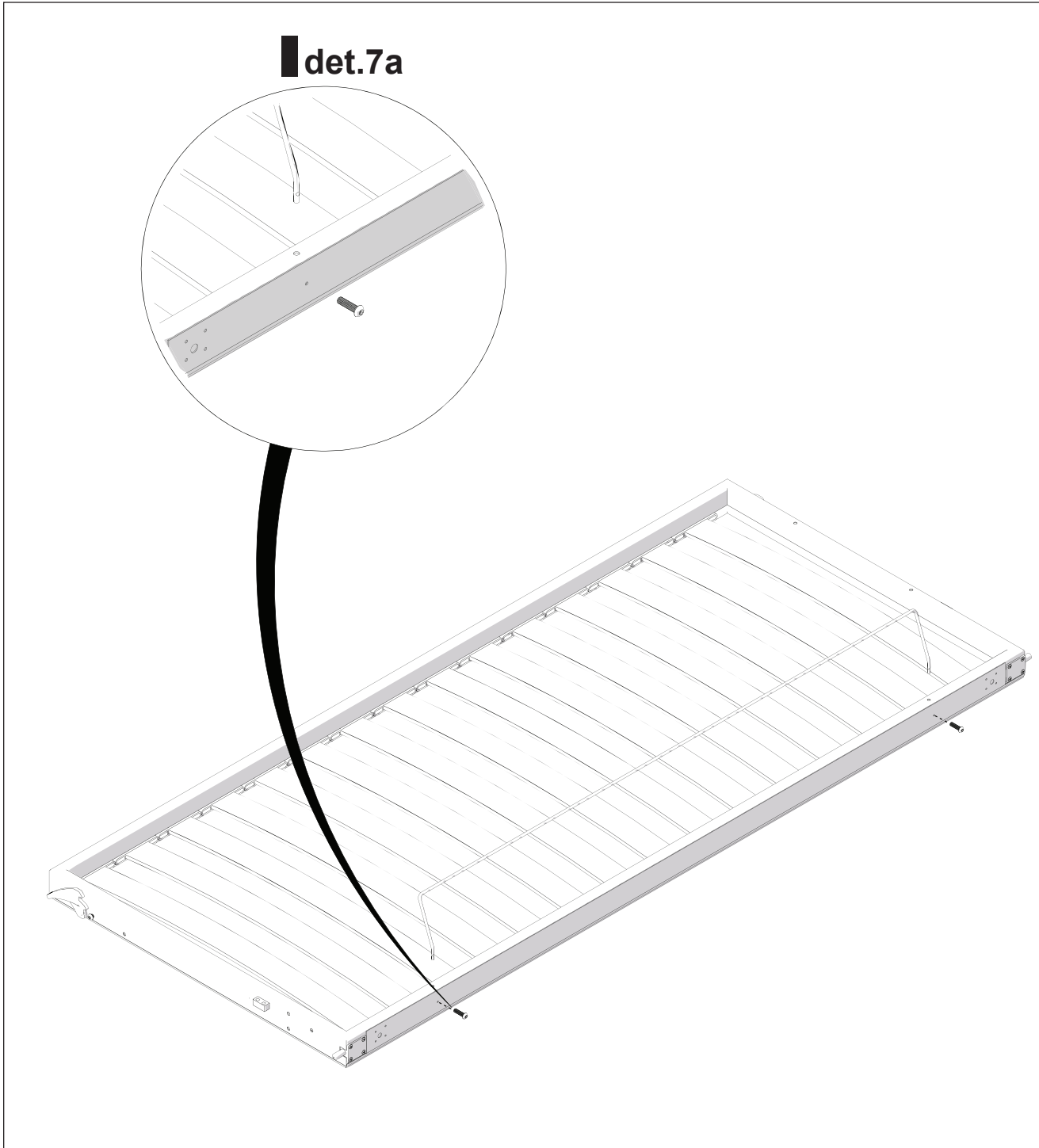
# UPPER STORAGE ASSEMBLY

- 6** (2200) MODEL WITH UPPER STORAGE ONLY ASSEMBLY OF UPPER STORAGE  
Assemble the upper storage with the (9) horizontal panel (which will become the base of the cabinet), the (8) back panel, and secure with 20 (C) Phillips screws



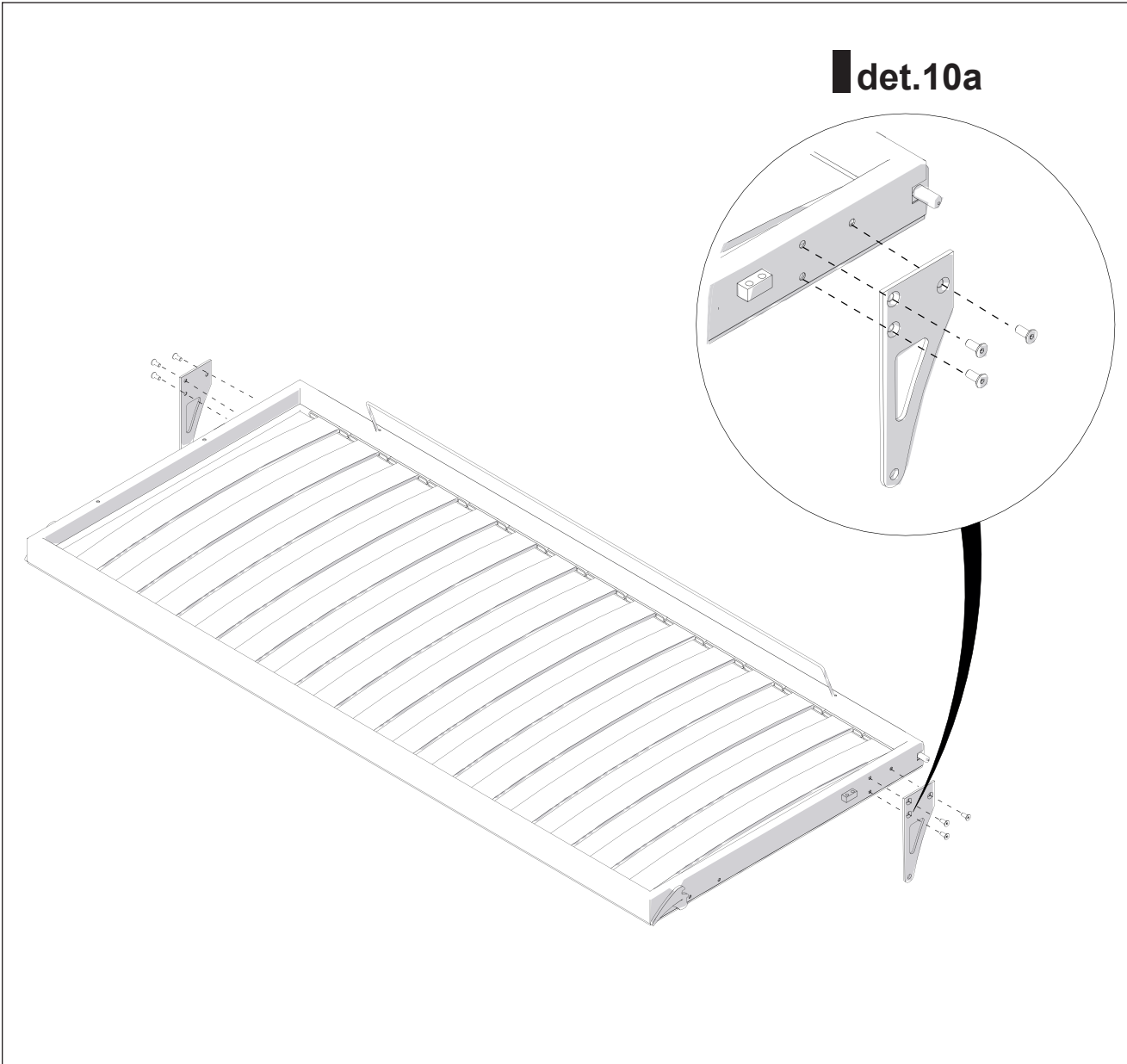
# BED BASE INSTALLATION

- 7** Mattress bar must be installed before the bed base is inserted into the structure. Fasten the 11 mattress support bars to the 5 lower and 6 upper bed frames using the 5MA x 20 screws attached to each bar.



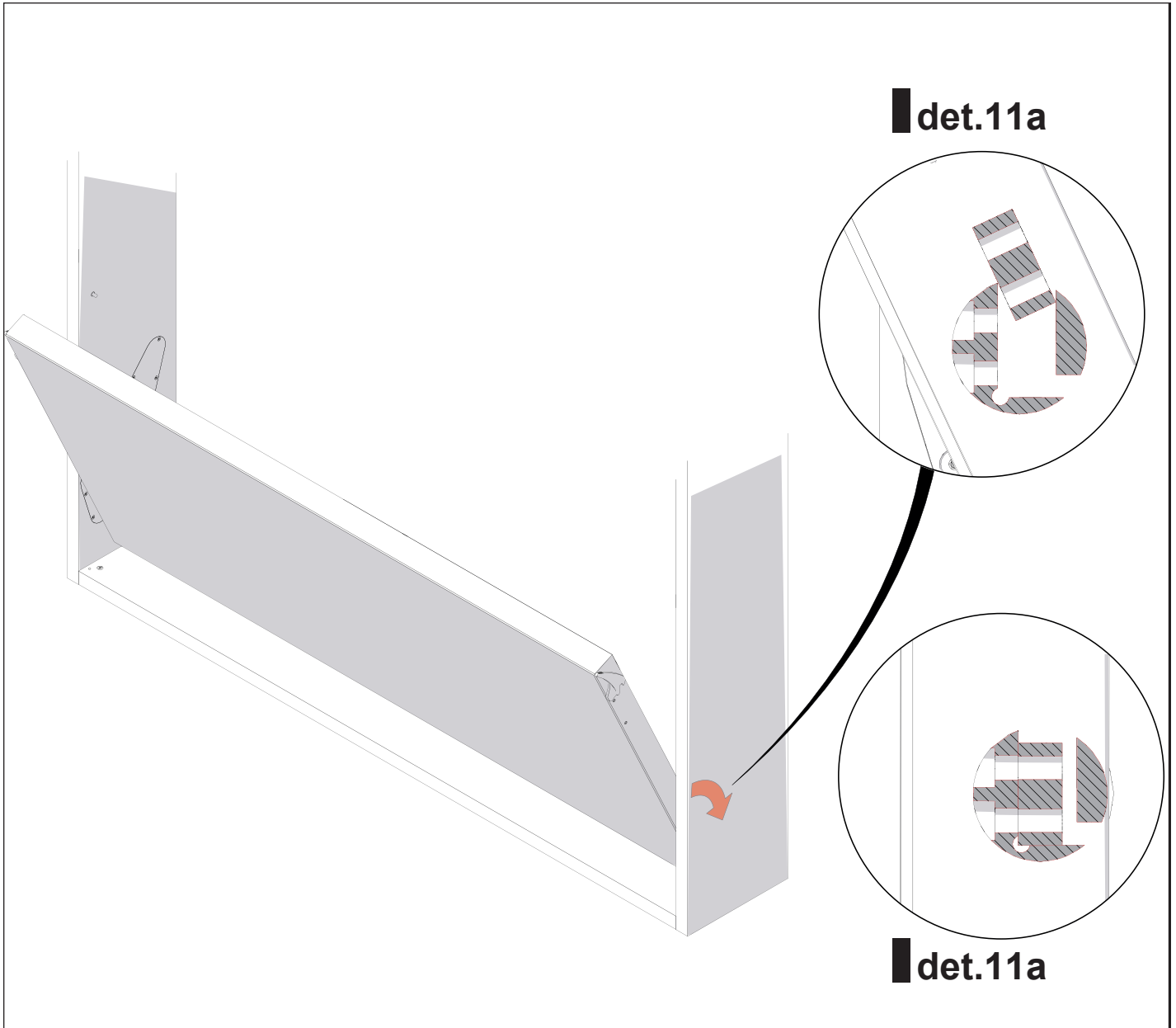
# SOFA FRAME INSTALLATION

- 8** Attach the 2 (21) metal plates to the (5) lower bed frame with 6 (M) hex screws, as shown below.



# LOWER BED FRAME INSTALLATION

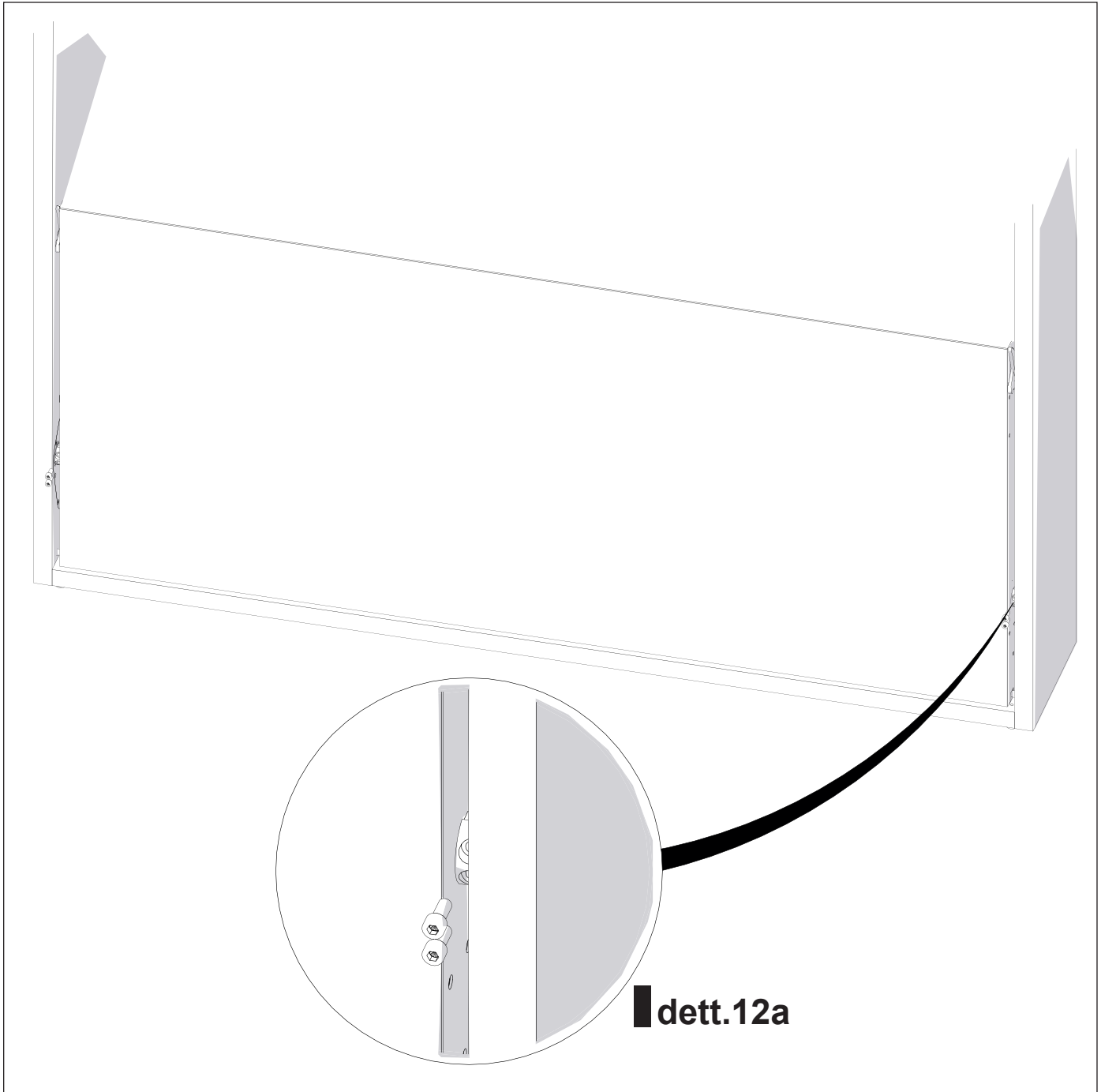
**9** Position and insert the (5) lower bed frame within the structure as shown in det. 11a.





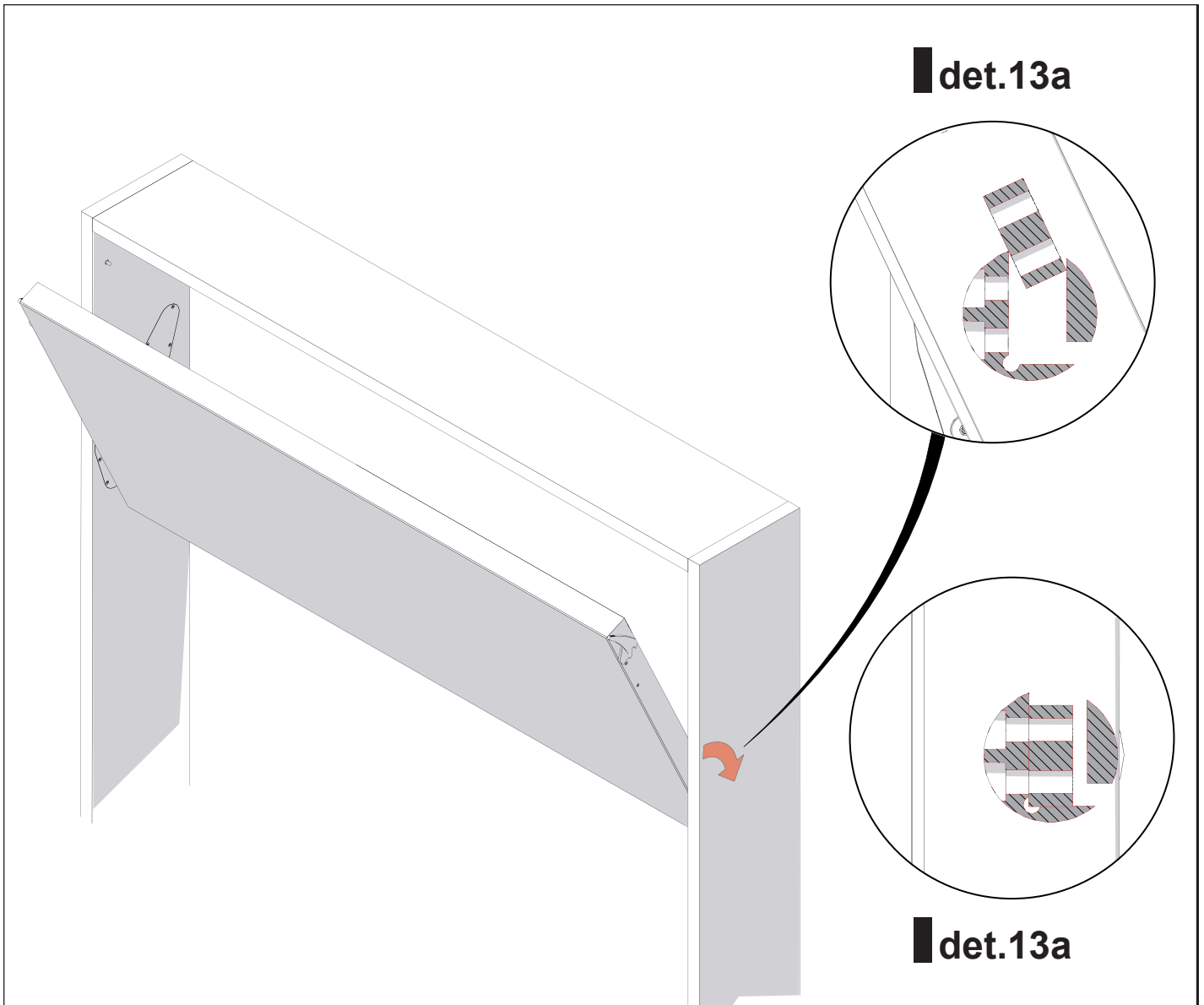
# LOWER BED FRAME INSTALLATION

- 10** Close the lower bed and fasten 2 (D) hex screws into the mechanisms on both vertical panels, as shown in det. 12a.



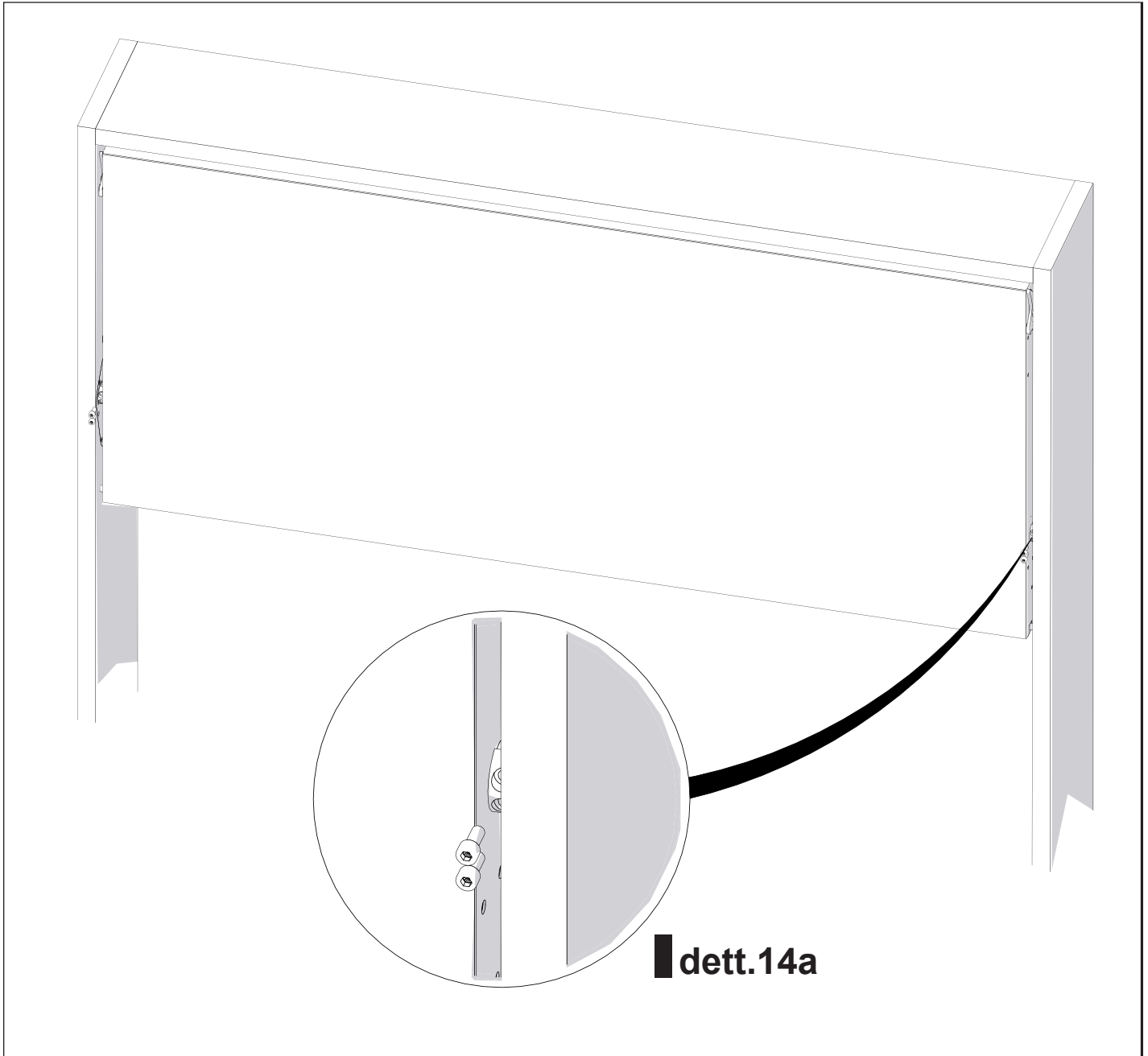
# UPPER BED FRAME INSTALLATION

**11** Position and insert the (6) upper bed frame within the structure as shown in det. 13a.



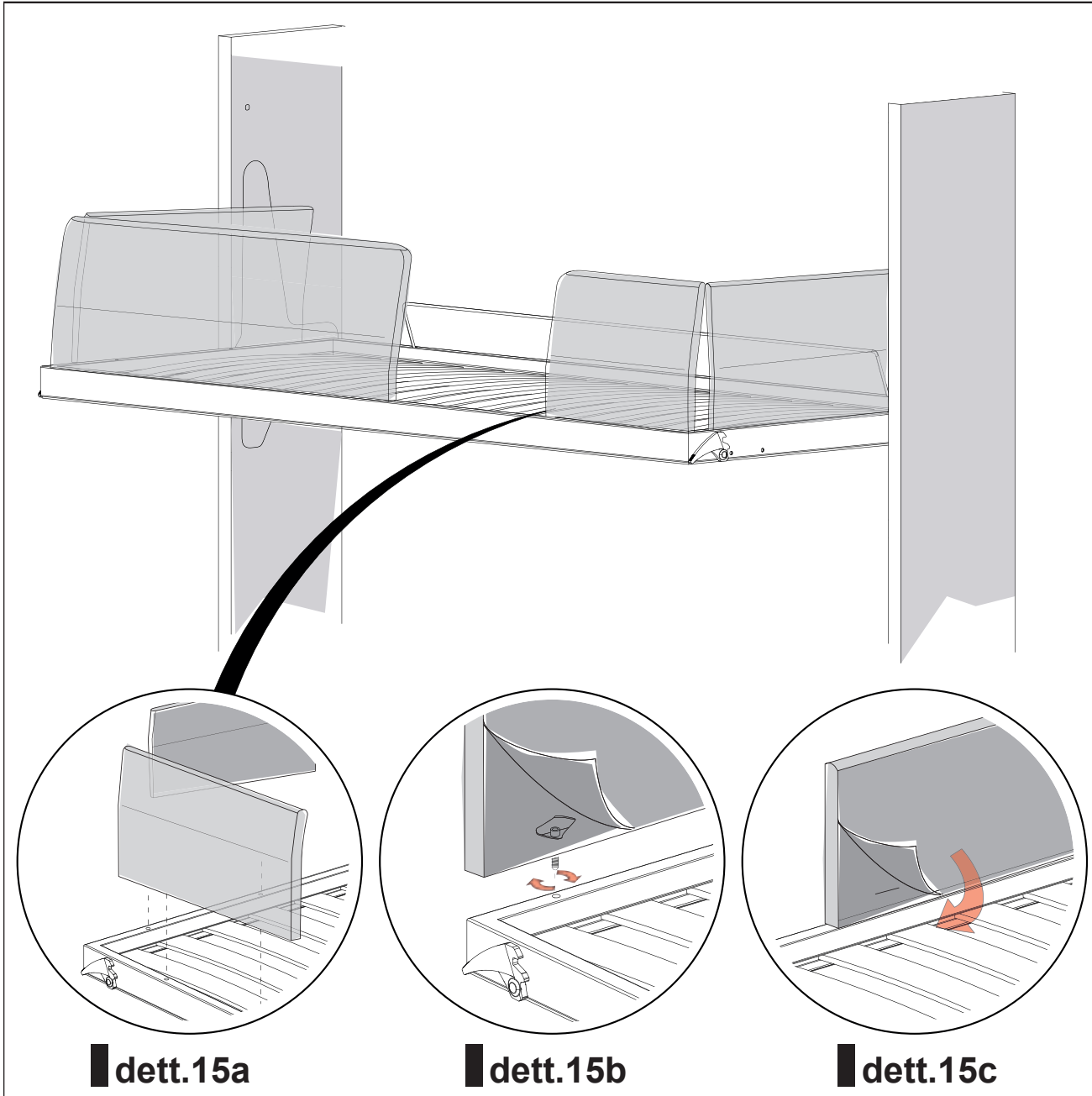
# UPPER BED FRAME INSTALLATION

- 12 Close the upper bed and fasten 2 (D) hex screws into the mechanisms on both vertical panels, as shown in det. 14a.



# UPPER PADDED BARRIERS ASSEMBLY

- 13** Open the upper bed frame by pressing down on one of the two locking levers. 15a - Align the 16 long and 17 short padded barriers with the appropriate holes on the bed frame. 15b - Lift the barrier fabric as shown and fasten the barriers to the bed frame using 8 8MA x 50 screws 15c - Close the fabric



# CLOSING UPPER PADDED BARRIERS

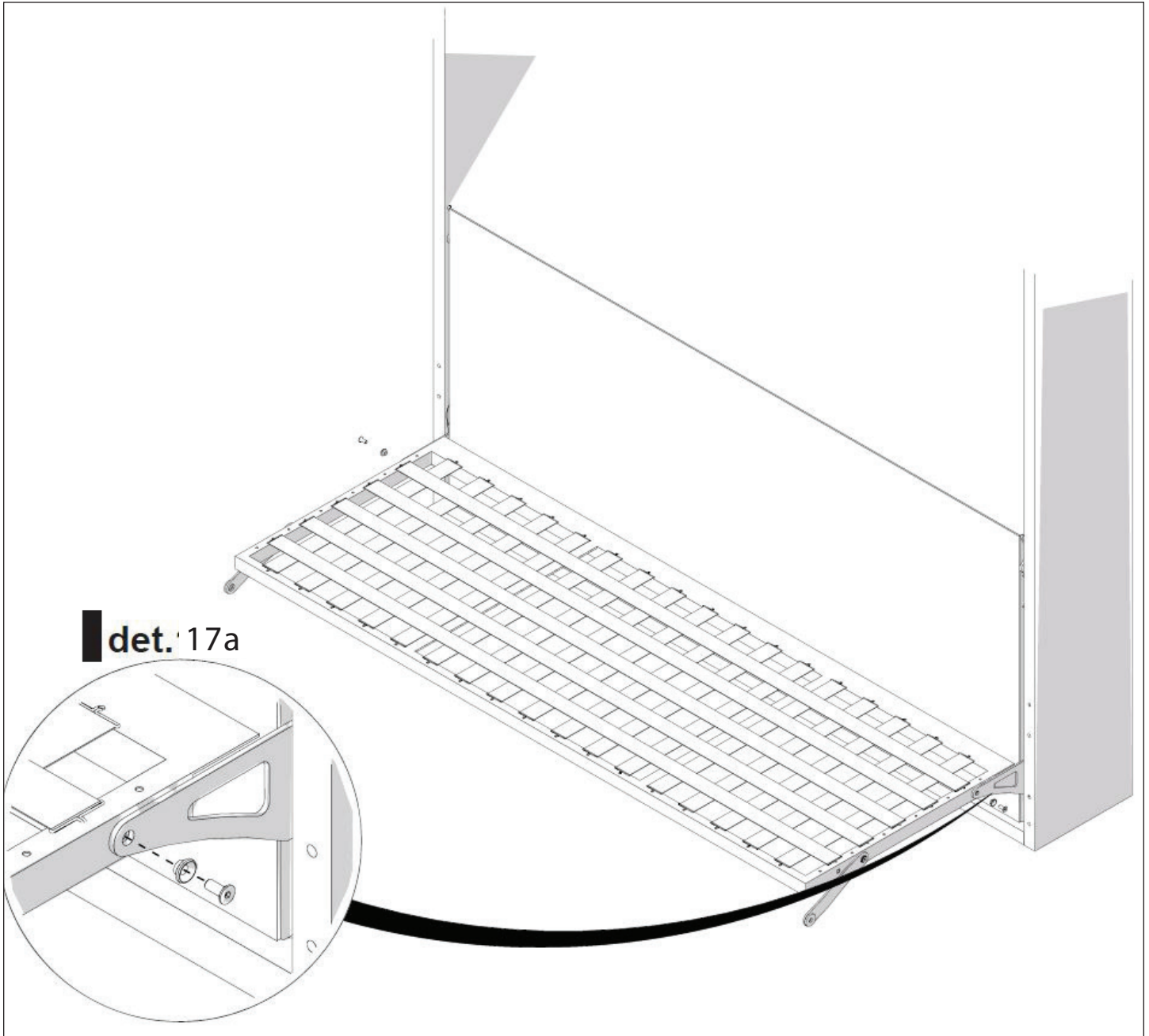
14

The padded bed frames on the upper bed frame lock into upright position. In order to close the bed frame, you must first fold down the barriers. Close the barriers at the head and the foot of the bed by pushing the button as shown to disengage the lock and safely fold the barriers down on to the mattress. Starting with the barriers on the long side of the bed, push the button as shown below to disengage the lock and safely fold the barriers down on to the mattress.



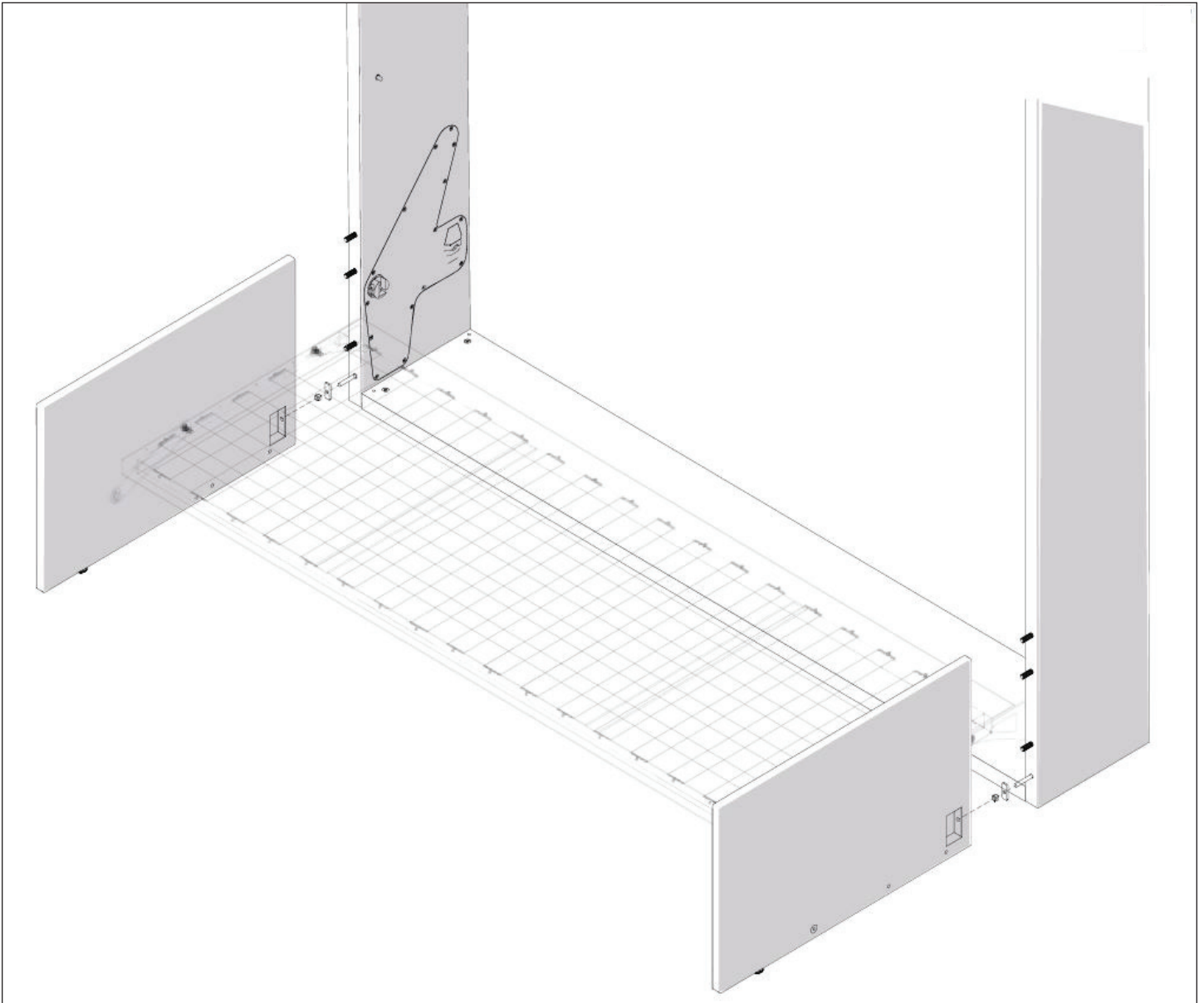
# SOFA BASE INSTALLATION

- 15 Ensure that the upper and lower bed frames are locked in their upright positions. Align the holes at the back of the (18) sofa frame with those on the (21) metal plates. Secure into place by using 2 (M) hex screws and 2 (N) conical washers, as shown in det. 17a.



# SOFA BASE INSTALLATION

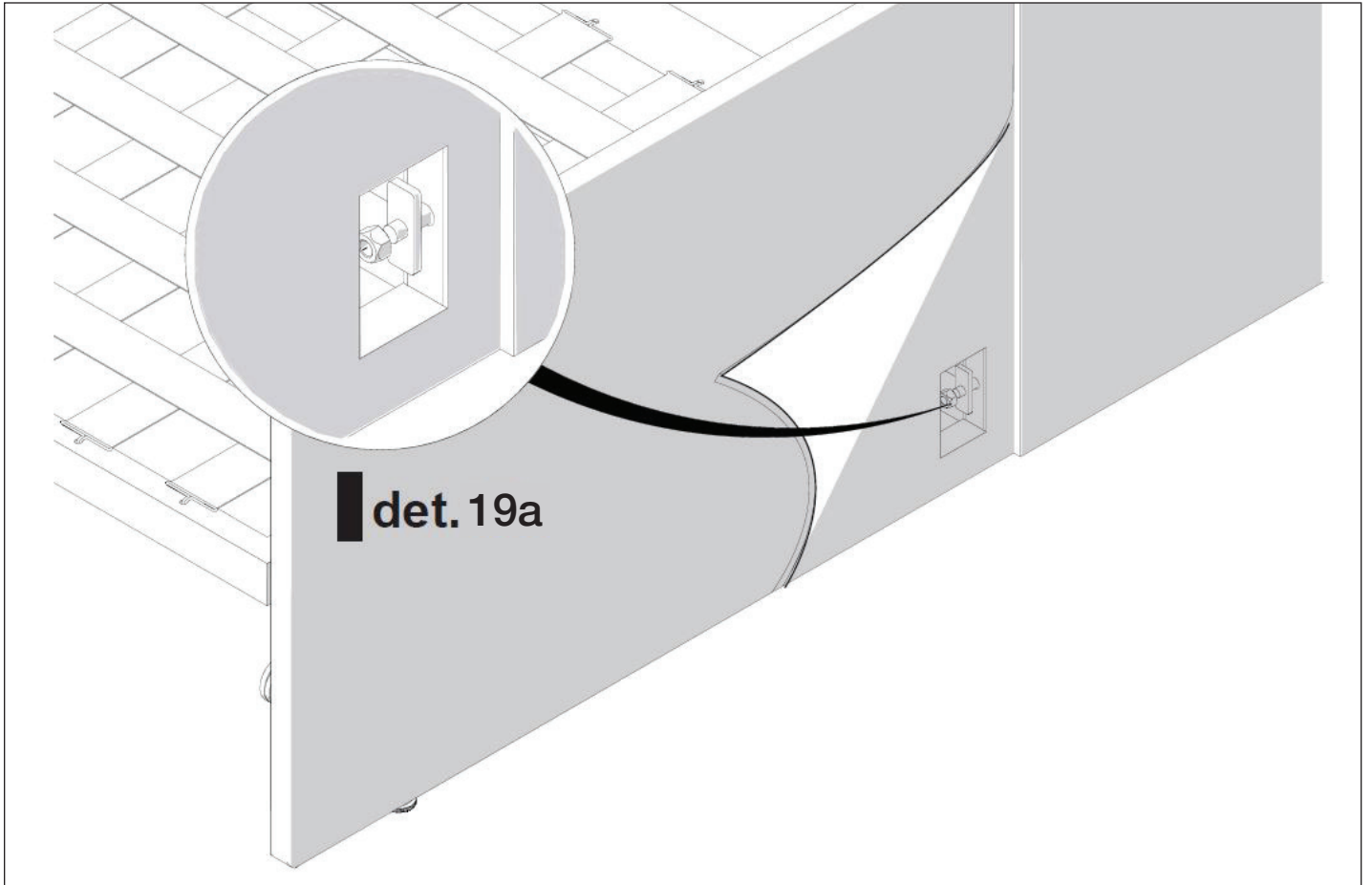
- 16** Insert 6 (R) dowels into the top three holes on both the left and right vertical panels. Insert and secure the (T) threaded rods into the lowest hole on both the left and right vertical panels. Position the 2 (20) armrests in front of the left and right panels, lining up the holes on the armrests with the dowels and rods.





# SOFA BASE INSTALLATION

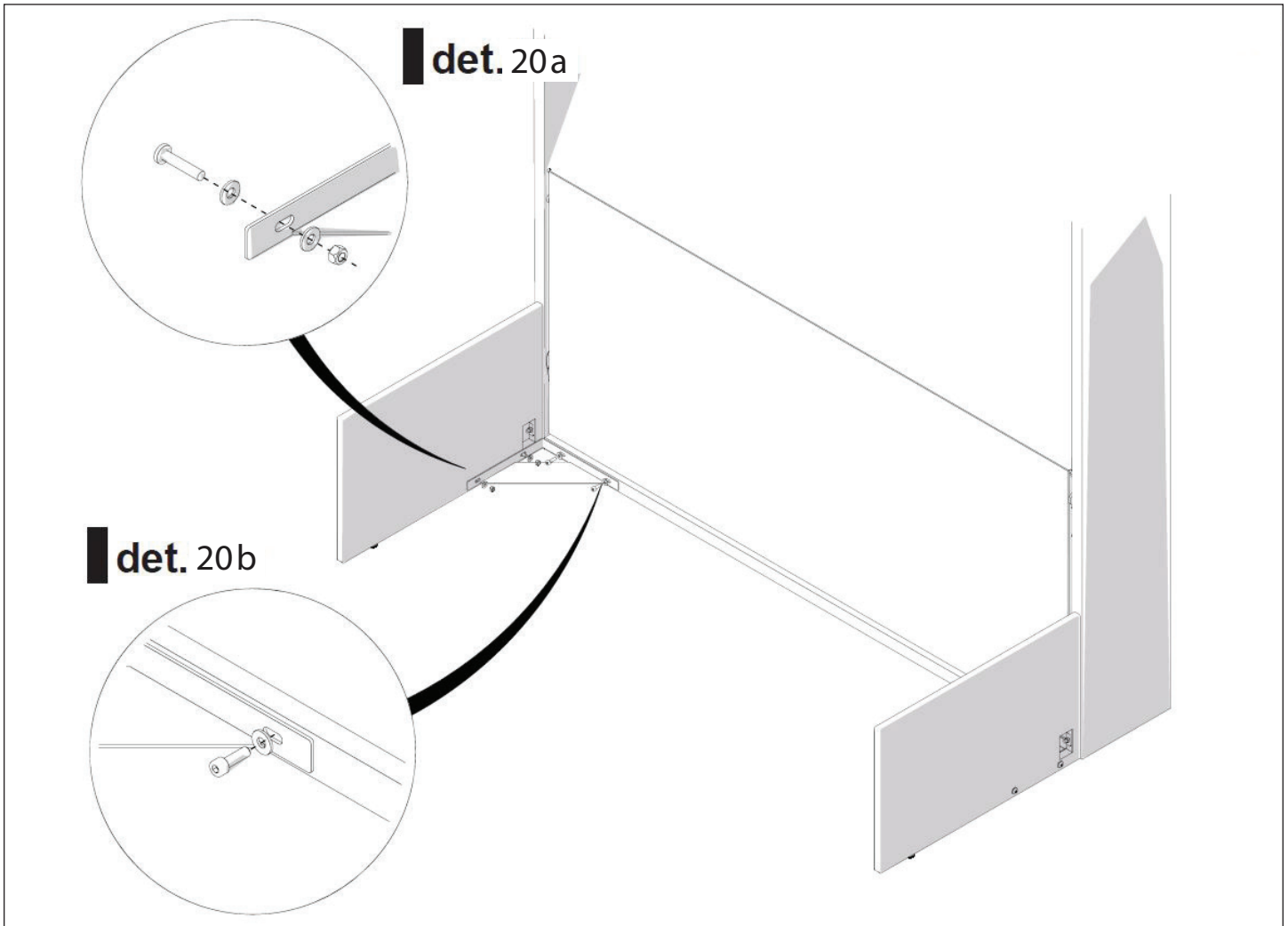
- 17** Lift the fabric on the outside of the armrest to access the (T) threaded rods. Attach the (S) plate and (U) nut to each rod, tightening firmly.





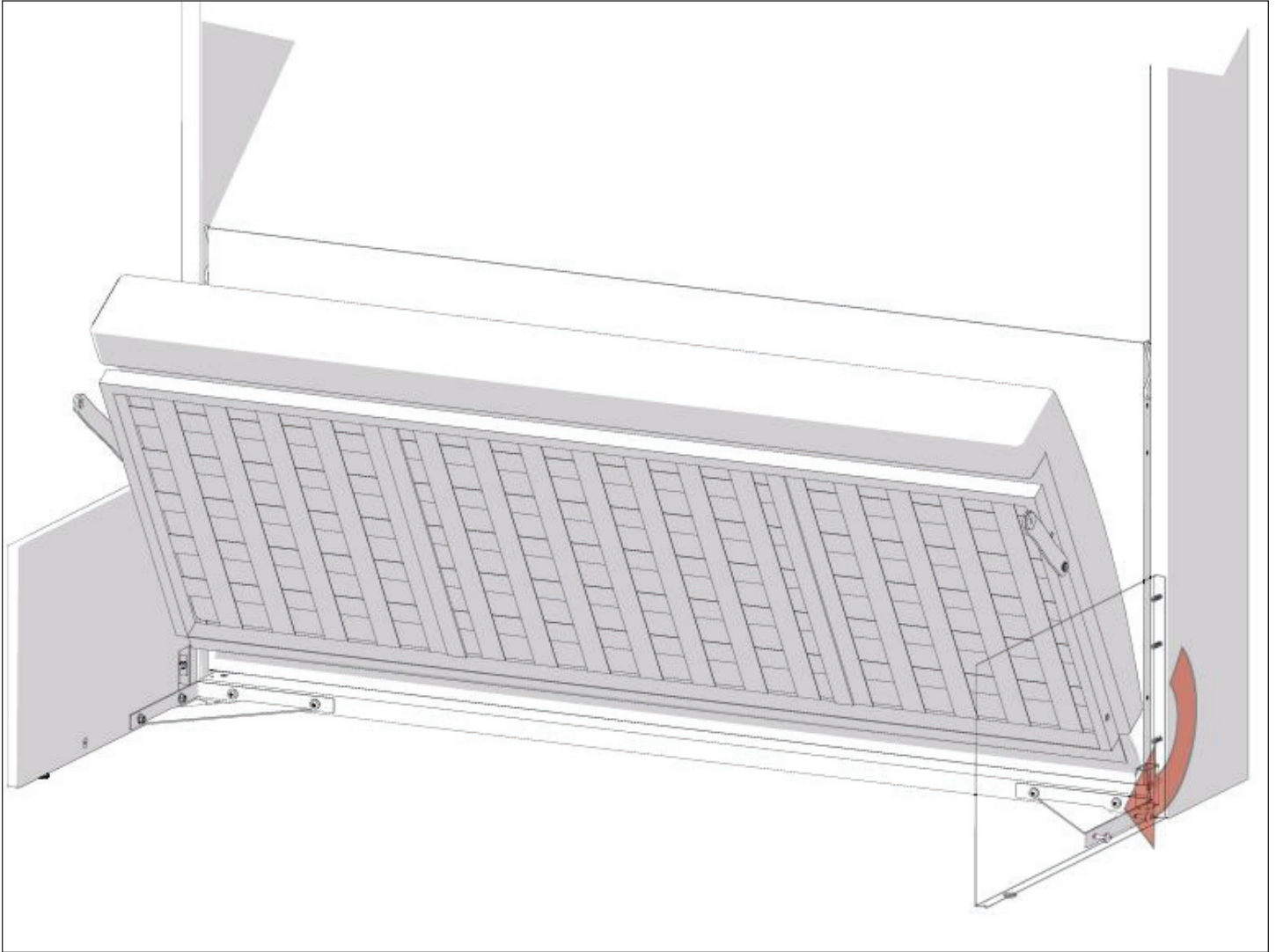
# SOFA BASE INSTALLATION

- 18** Attach the (22) triangular reinforcement plates to each armrest using 2 (P) screws, 2 (U) nuts, and 4 (Q) washers, like shown in det. 20a. Then, secure the triangular reinforcement plates to the horizontal bottom base panel using 2 (O) screws and 2 (Q) washers, like shown in det. 20b.



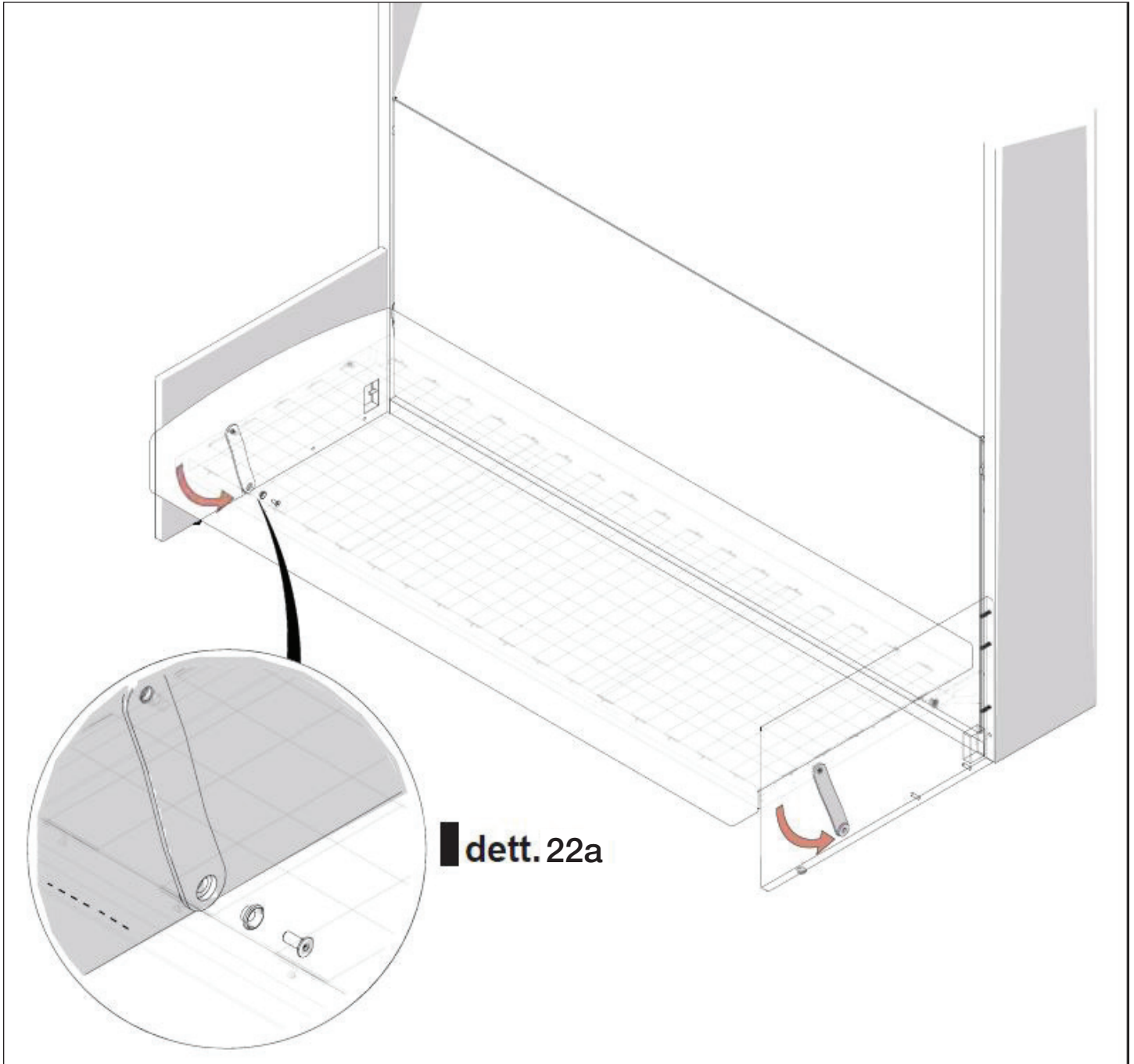
# SOFA BASE INSTALLATION

- 19** Place the (19) padded seat cushion on the sofa frame, wrapping the excess fabric around the back of the bed frame and fastening with velcro.



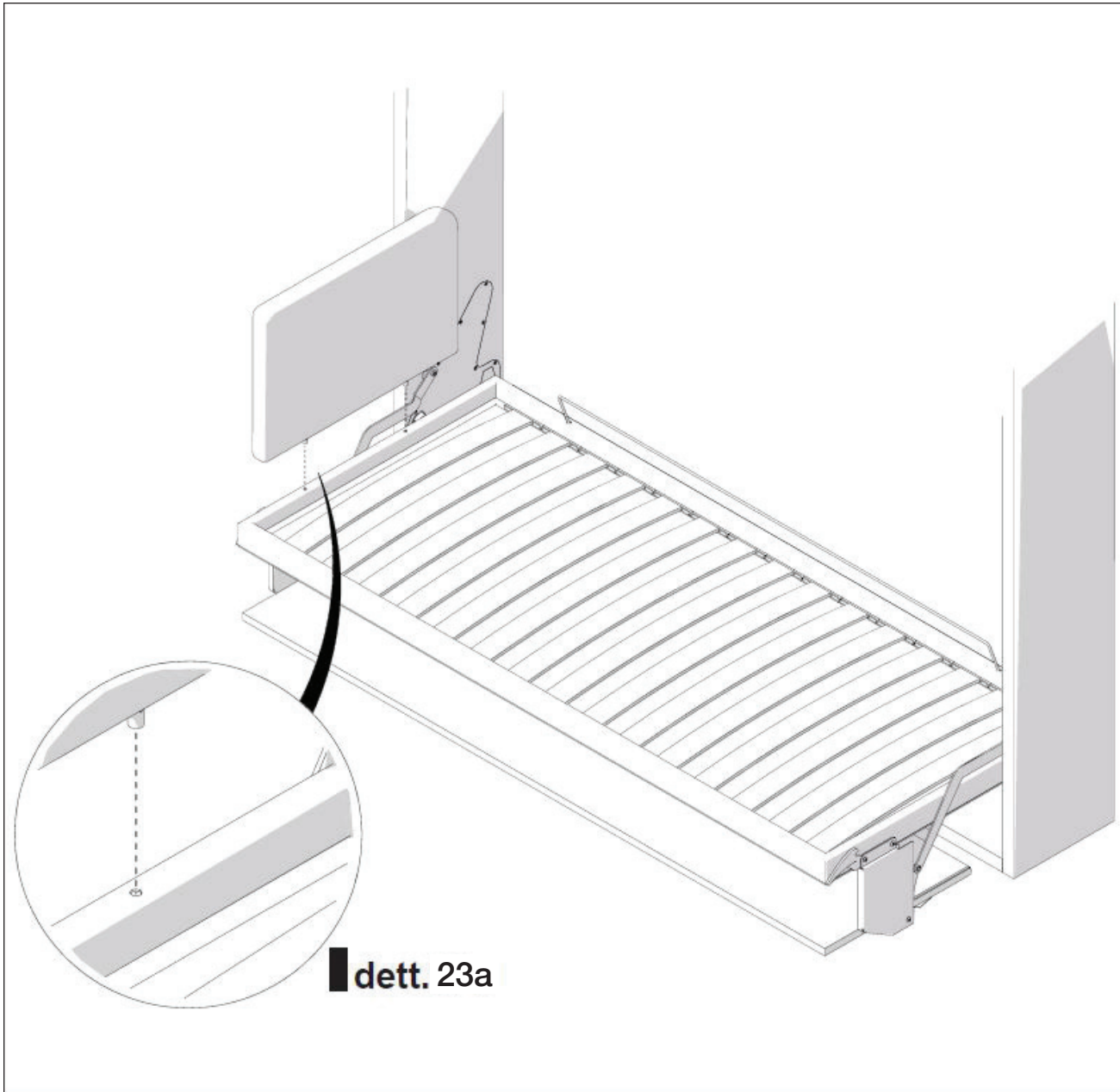
# SOFA BASE INSTALLATION

- 20** Secure the levers at the front of the sofa frame to the armrests using 2 (M) hex screws and 2 (N) conical washers.



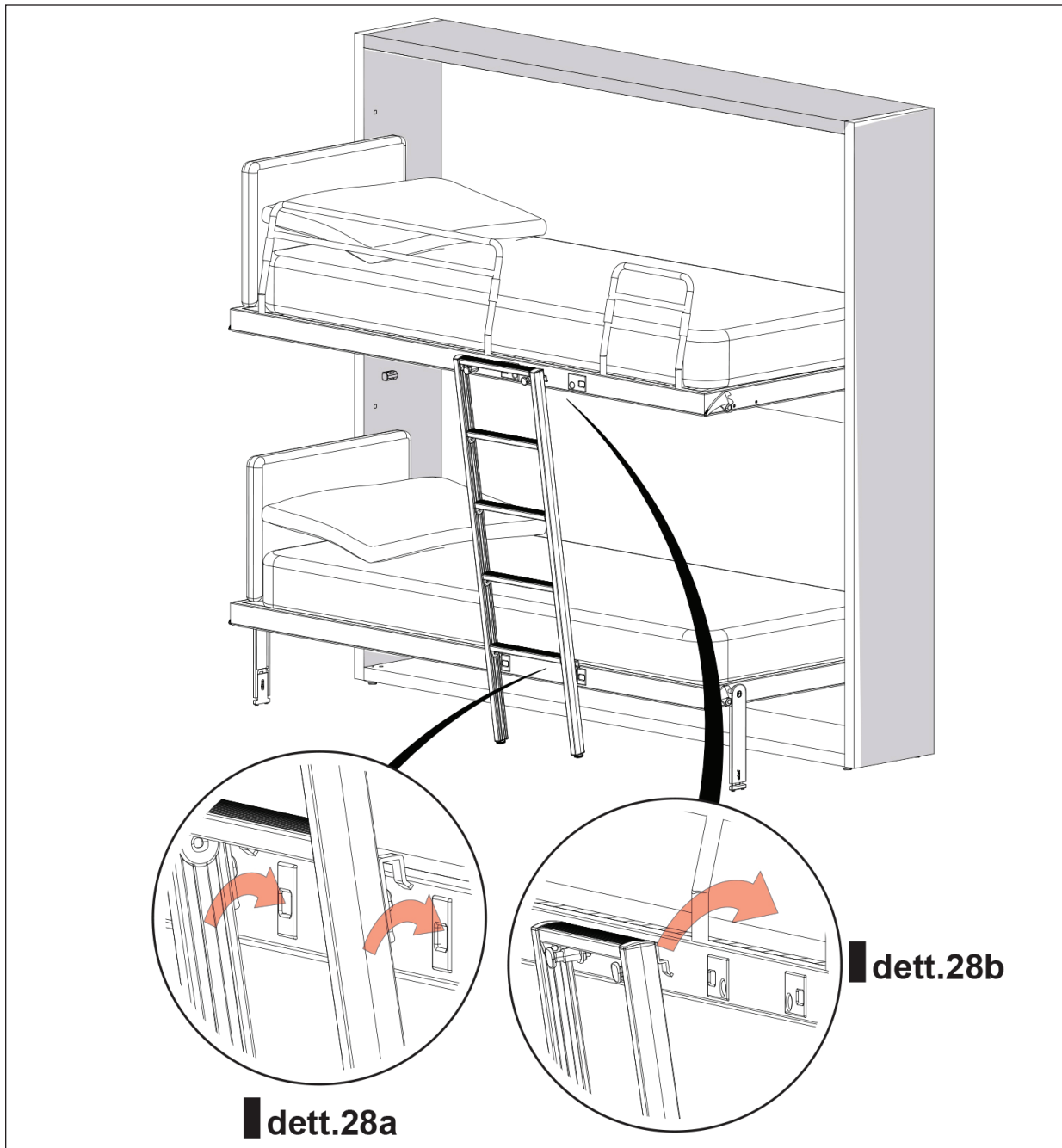
# BOTTOM HEADBOARD INSTALLATION

- 21 Remove the 2 caps from the end of the lower bed frame on which you wish to place the headboard. Fasten the headboard to the frame using the screws included with the headboard.



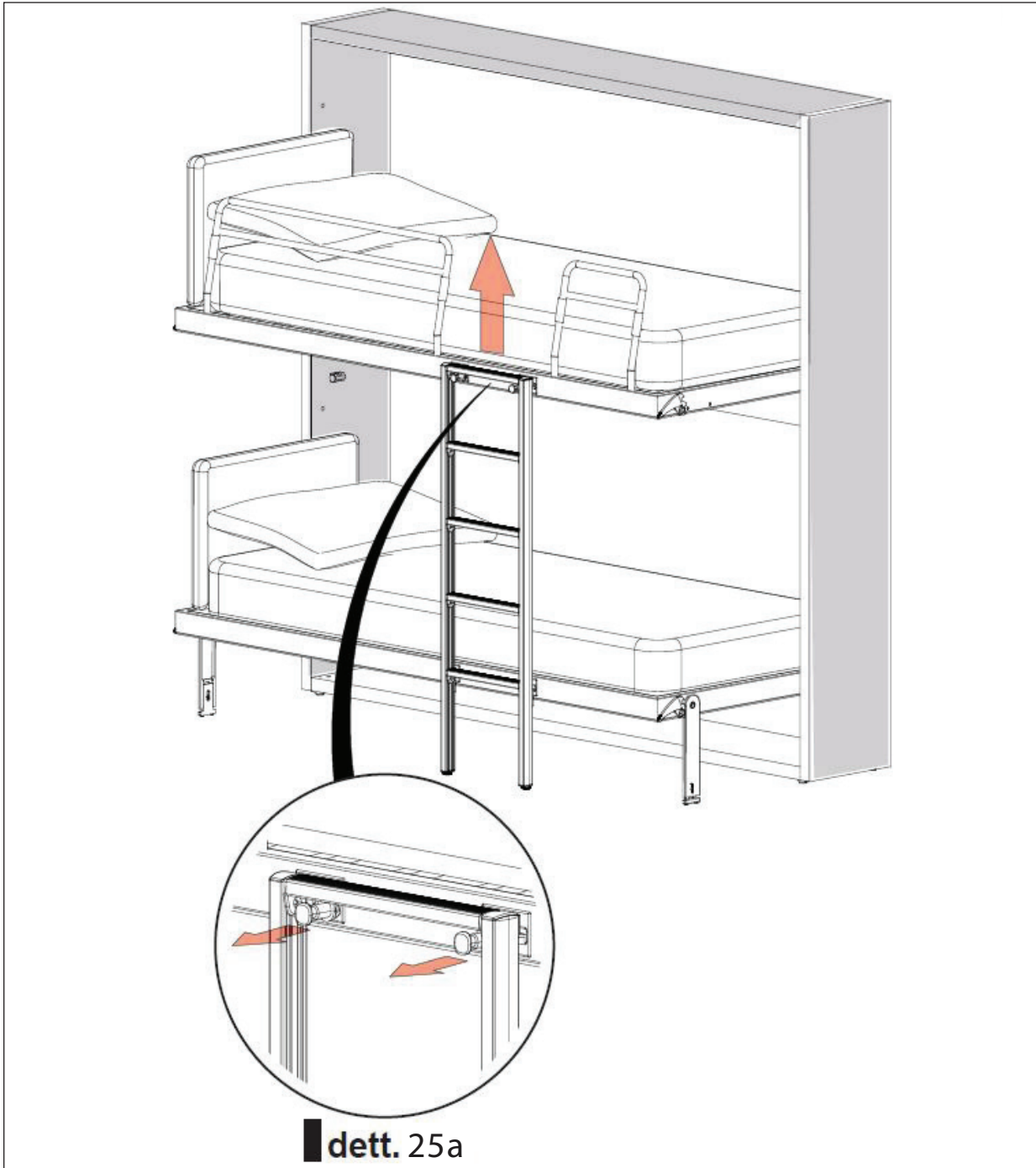
# REMOVABLE LADDER

**22** Ensure that both the upper and lower beds are open and locked in horizontal position. Position the ladder close to the metal slots on each bed frame. Gently tilt the ladder away from the structure, inserting the lower hooks into the slots on the lower bed frame (det. 24a). Straighten the ladder upright and insert the upper hooks into the slots on the upper bed frame (det. 24b). Pull the ladder down, ensuring that both the upper and lower mechanisms are locked securely. Adjust the height of the ladder by turning the feet at the bottom so that it stands level to the floor when in locked position.



# REMOVABLE LADDER

- 23** To remove the ladder from the structure, pull the two pins at the top of the ladder (det 25a) to unlock the mechanism, while simultaneously pulling the ladder hooks up and away from the slots.





# MAKING THE UPPER BED

- 24** The Kali Duo bunk-bed system contains a mechanism that allows the upper bed frame to tilt downwards so that it is easy to make the bed. When the upper bunk is in its horizontal position, press down on one of the two locking levers and gently pull the bed downwards. To bring the bed back to its horizontal position, press down on one of the two locking levers and lift the bed upwards until it locks in place.

