

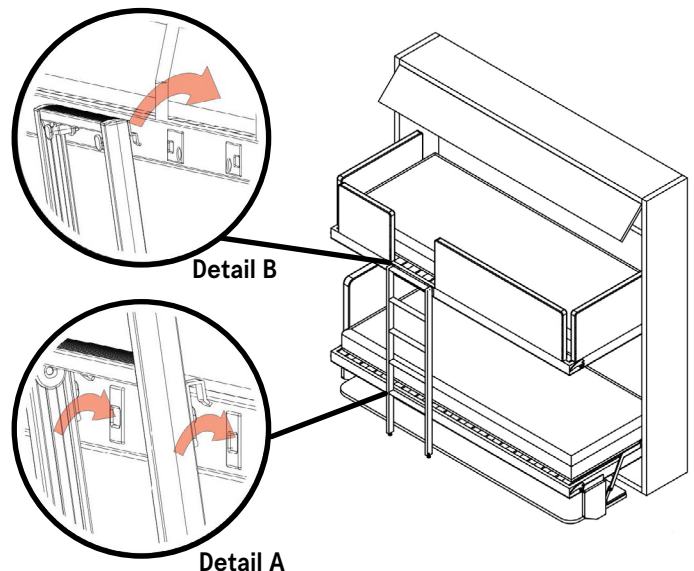
# Kali Duo Board

**Congratulations on your Kali Duo Board Wall Bed!** Your Kali Duo Board Wall Bed system is designed to provide a lifetime of comfort and function, so follow these instructions and you'll get along famously.

## OPENING YOUR KALI DUO BOARD/ WALL BED

- 1** Clear any items taller than 7" from the desk surface.
- 2** Release latches on either side of the beds with one hand, holding the top of the bed panel with the other. Gently pull the beds down into their locked, horizontal positions.
- 3** Raise the upper padded barriers and bottom headboard, making sure all of the upper barriers lock in place.
- 4** Ensure that both the upper and lower beds are open and locked in in the horizontal position. Position the ladder at the metal slots on each bed frame. Gently tilt the ladder away from the structure, inserting the lower hooks into the slots on the lower bed frame (detail A).  
 Straighten the ladder upright and insert the upper hooks into the slots on the upper bed frame (detail B).  
 Pull the ladder straight down, ensuring that both the upper and lower mechanisms are locked securely.
- 5** See you in the morning!

**! The ladder must be locked in place if the upper bunk is open.**



[Watch the Video](#)

# SAFELY OPERATING YOUR KALI DUO BOARD

## CLOSING YOUR KALI DUO BOARD/ WALL BED

**1** Remove bed pillows and tuck bedding in on all sides around and under the mattresses.

Latch both mattress straps over the bedding.

**2** Remove ladder from structure by pulling the two pins at the top of the ladder (detail A) to unlock the mechanism, while simultaneously pulling the ladder hooks up and away from the slots.

**3** Starting with the barriers on the long side of the bed, push the button as shown below to disengage the lock and fold the barriers down on to the mattress. Close the barriers at the head and the foot of the bed using the same method.

**!** You must fold down the barriers and bottom headboard in order to close the bed frame into the structure.

**4** Release the latches on either side of the beds with one hand, and lift the beds up into their upright position with the other hand.

**5** Have a great day!

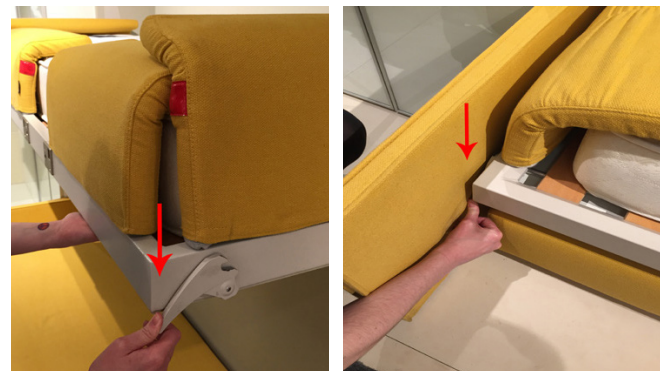
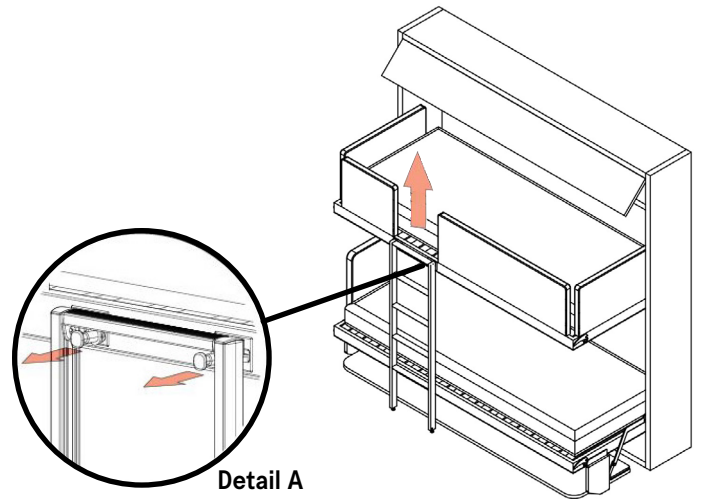
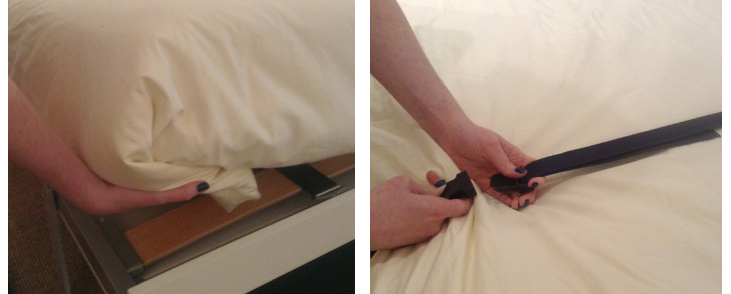
Kali Duo Board is one of over 60 bed systems designed and made in Italy by Clei, the global leader in transforming furniture design and manufacturing for more than 50 years.

We know you'll be very happy together - Ciao!

**!** Just one more thing: You can stand on principle, but never stand on the sofa!

[Watch the Video](#)

[customerservice@resourcefurniture.com](mailto:customerservice@resourcefurniture.com)



ResourceFurniture.com

Resource