

Assembly Instructions








Kali Duo



resource

WARNING

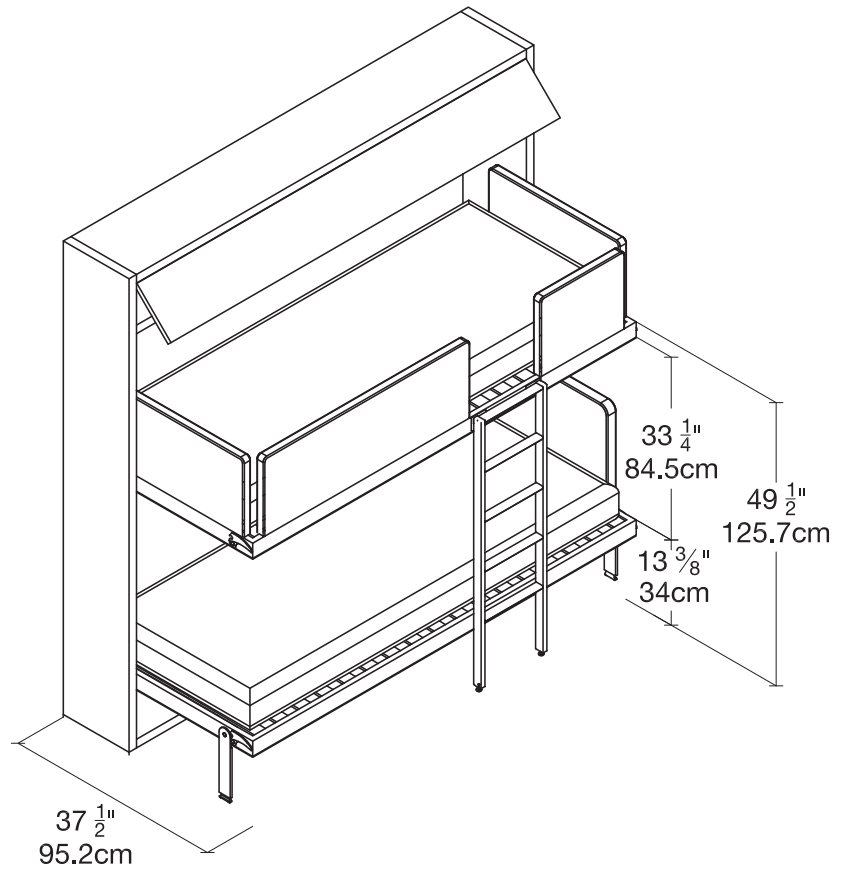
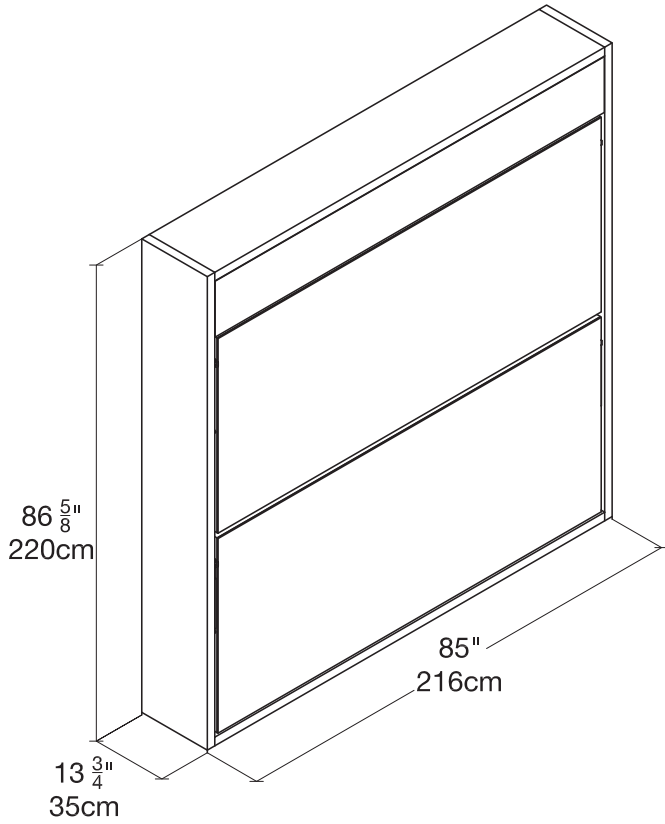
READ CAREFULLY BEFORE BEGINNING INSTALLATION.
IMPROPER INSTALLATION OF THE PRODUCT MAY CAUSE SERIOUS INJURY

-  Installation must be performed by a licensed contractor or a trained professional, who will ensure proper assembly and installation.
-  Installation must be performed by at least 2 people.
-  Improper installation of this product can cause serious or fatal injury.
-  Improper installation may result in permanent damage to the bed.
-  The wall bed must be secured to the wall in four locations using appropriate hardware. The contractor or installer must select the proper anchoring hardware.
 - The wall anchors included are for solid concrete walls only.
 - Walls with wooden studs: Wood screws must be screwed into wooden studs in the wall.
 - Any other wall composition: A proper wall anchor suitable for the wall's construction must be selected by the contractor or installer.
-  No anchor can be used twice. If the product is removed from the wall, new anchor holes must be drilled and new hardware must be used.
-  All hardware must be properly tightened. No parts of the model should be left loose or unstable.

Warranties for all products purchased from Resource Furniture, LLC are only valid if the product has been properly assembled, installed by a trained professional, and operated in accordance with the assembly instructions.

Resource Furniture accepts no responsibility for any damage or injury caused by improper installation.

KALI DUO OVERVIEW

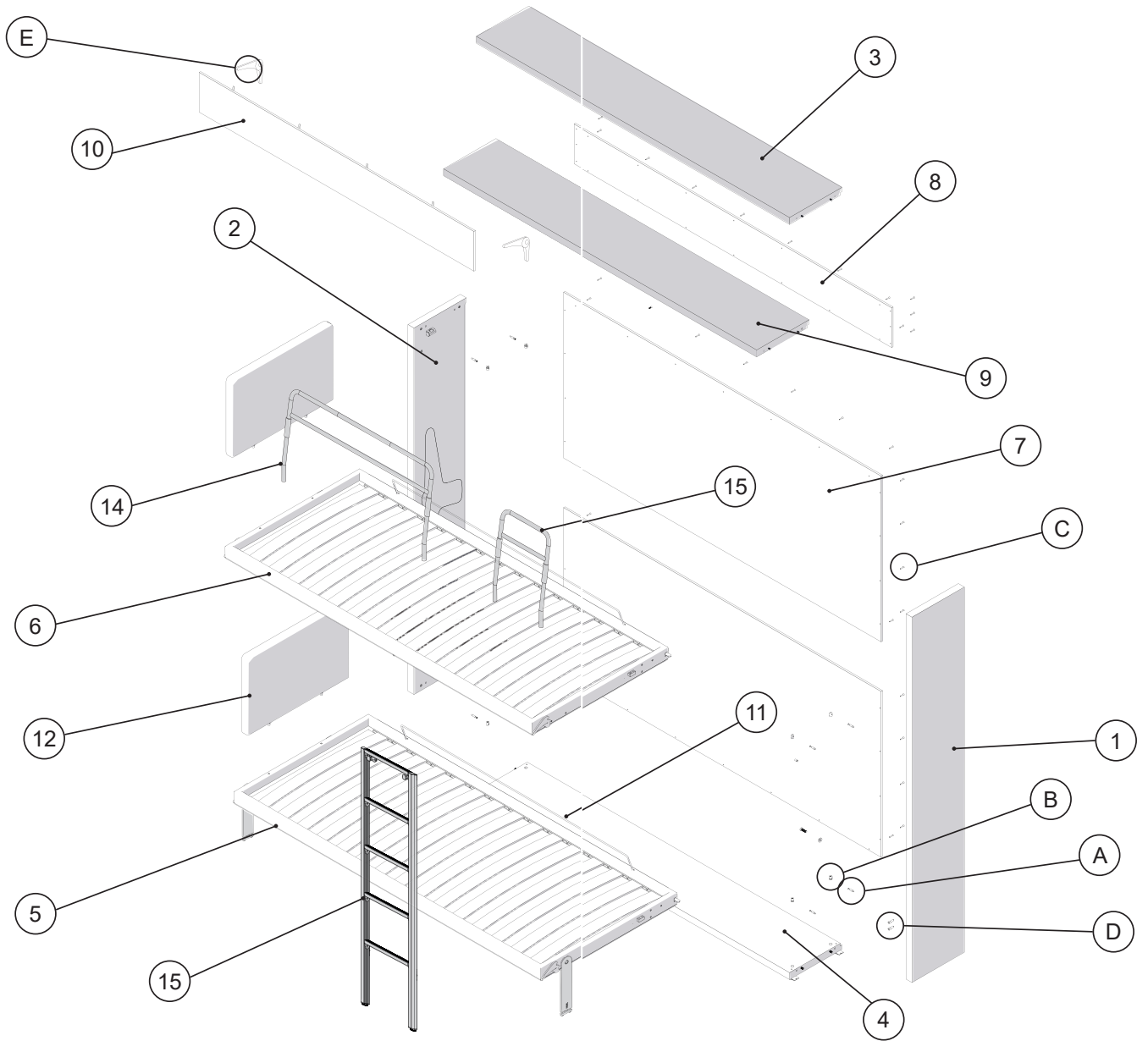


KALI DUO MATTRESS SPECIFICATIONS

Recommended weight: ~ 31-35 lbs

Recommended dimensions: W 31 1/2" X D 77 1/2" X H 7"

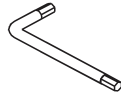
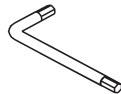
KALI DUO OVERVIEW



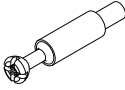

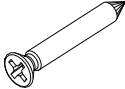
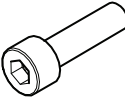

KALI DUO COMPONENTS

CODE	QTY.	COMPONENTS
1	1	Right side panel
2	1	Left side panel
3	1	Top horizontal panel
4	1	Bottom horizontal panel
5	1	Lower bed frame
6	1	Upper bed frame
7	2	Back panels
8	1	Upper back panel (IN only)
9	1	Structural shelf (IN only)
10	1	Upper storage cabinet door (IN only)
11	2	Metal bars for mattresses
12	2	Headboards
13	1	Ladder
14	1	Left (long) padded barrier
15	1	Right (short) padded barrier

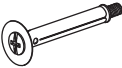
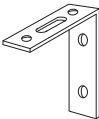
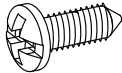
KALI DUO TOOLS

QTY.	DESCRIPTION	
1	Allen wrench 4 MM	
1	Allen wrench 6 MM	

KALI DUO STRUCTURAL HARDWARE

CODE	QTY.	DESCRIPTION	
A	12	Connector bolts	
B	12	Cam connectors	
C	44	Phillips screw	
D	8	Hex screws - for attaching bed frame to structure	
E	2	For IN Upper Storage Cabinet	

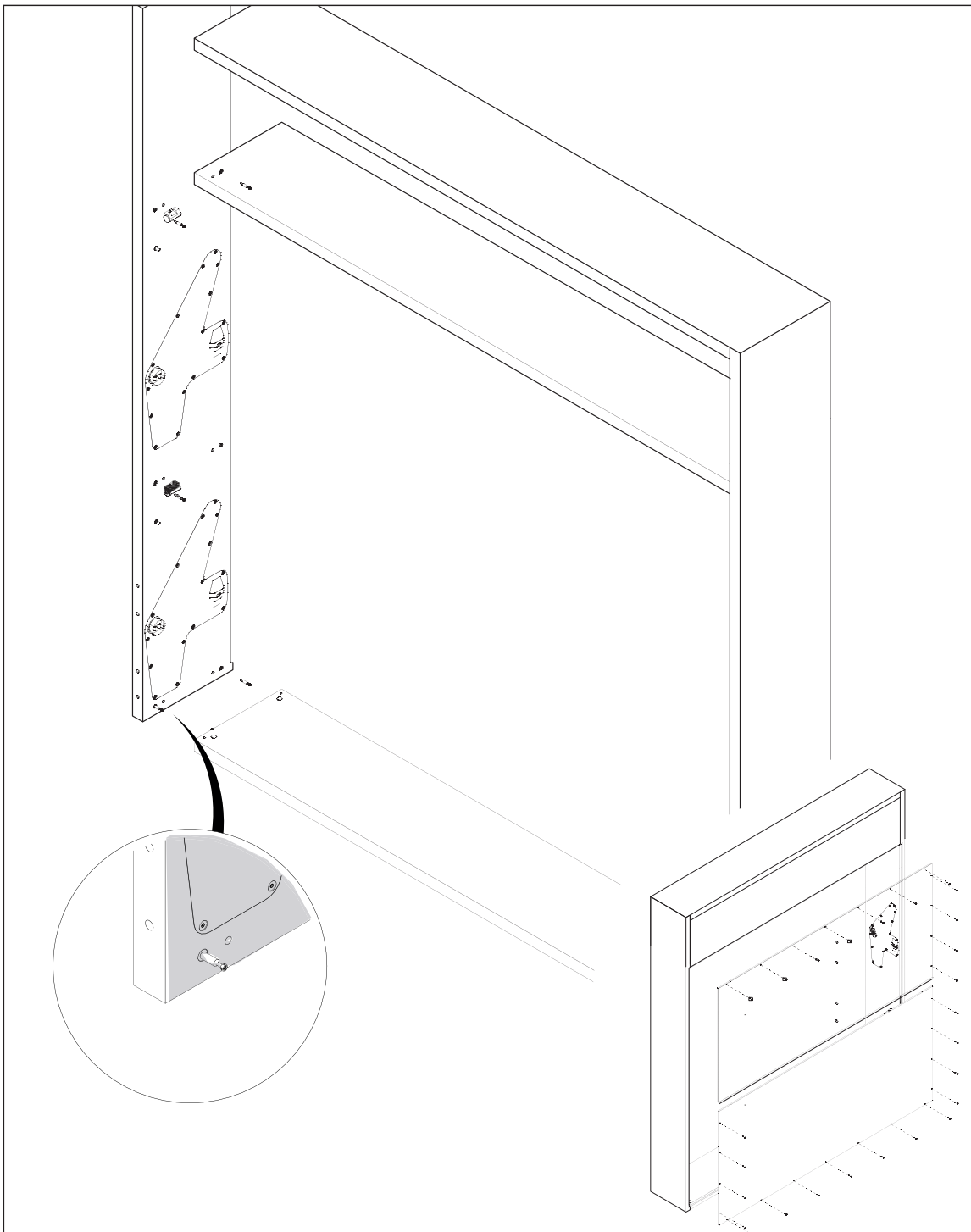
KALI DUO WALL MOUNTING HARDWARE

CODE	QTY.	DESCRIPTION	
WA	3	Wall anchors supplied anchors are for solid concrete walls only	
WB	3	Wall brackets	
WC	18	Bracket screws	

Note: The installer must determine the composition of the wall and appropriate anchors prior to installation. The wall anchors included are for solid concrete walls only.

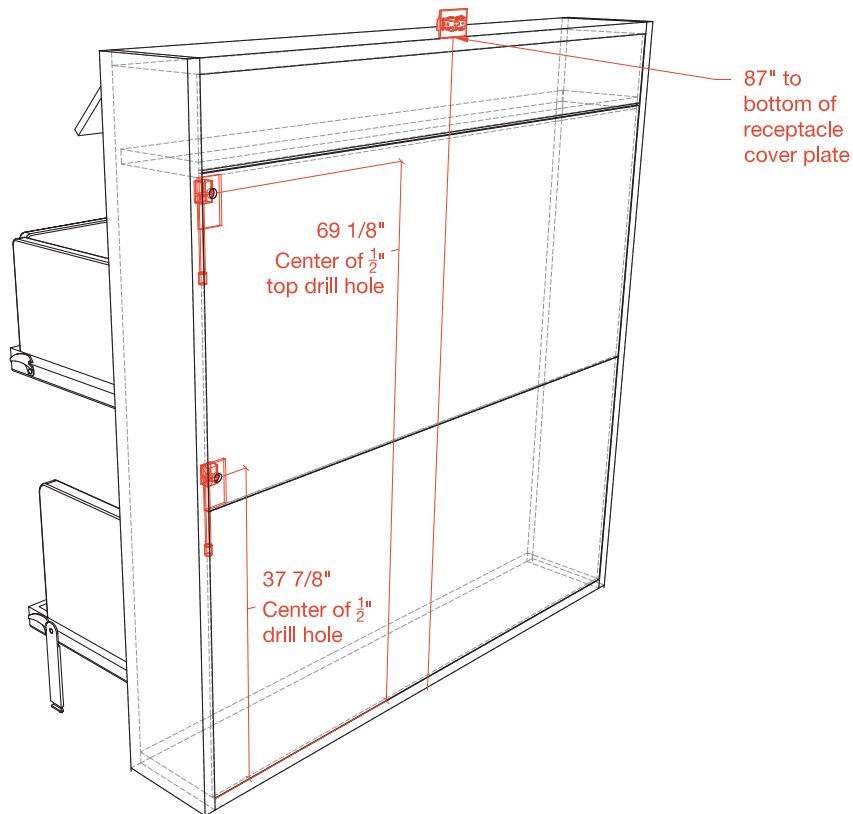
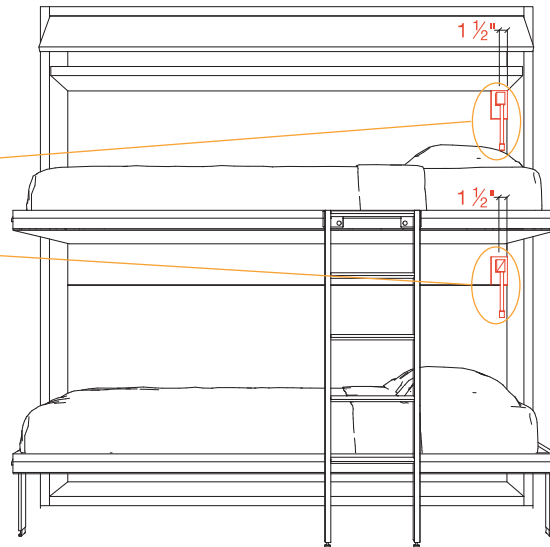
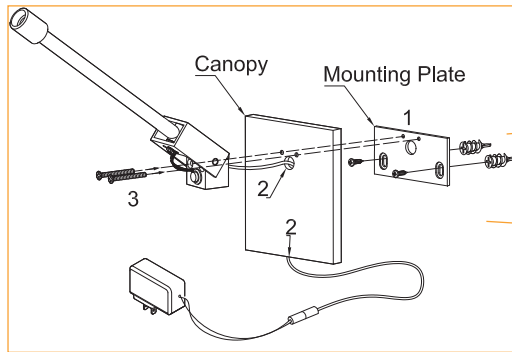
STRUCTURE ASSEMBLY

- 1** Screw 8 (A) connector bolts into the (1) right vertical and (2) left vertical panels. Attach the (4) horizontal bottom panel ; (3) horizontal top panel and (9) structural shelf to the vertical panels by inserting and tightening 12 (B) cams. Insert black spline between the upper and lower back panels. Attach the (7) back panels to the structure with 44 (C) Phillips screws. Attach the upper back panel (8) to the structure using C wood screws.



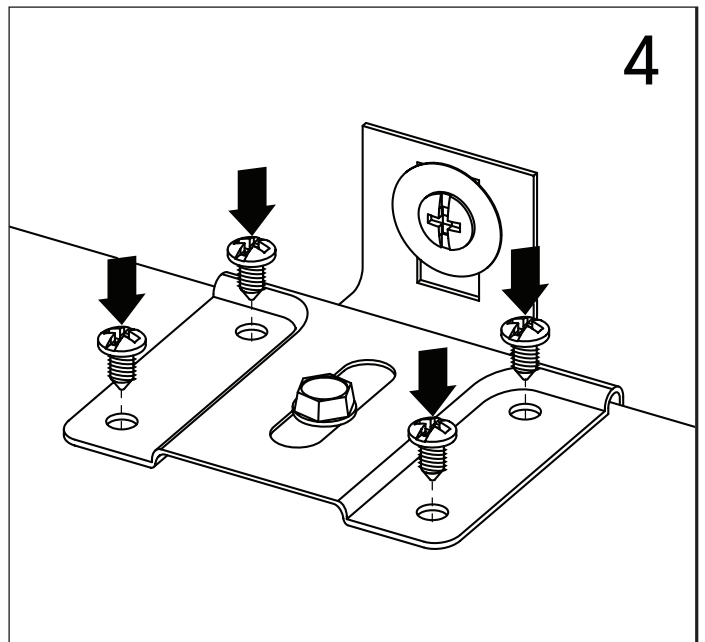
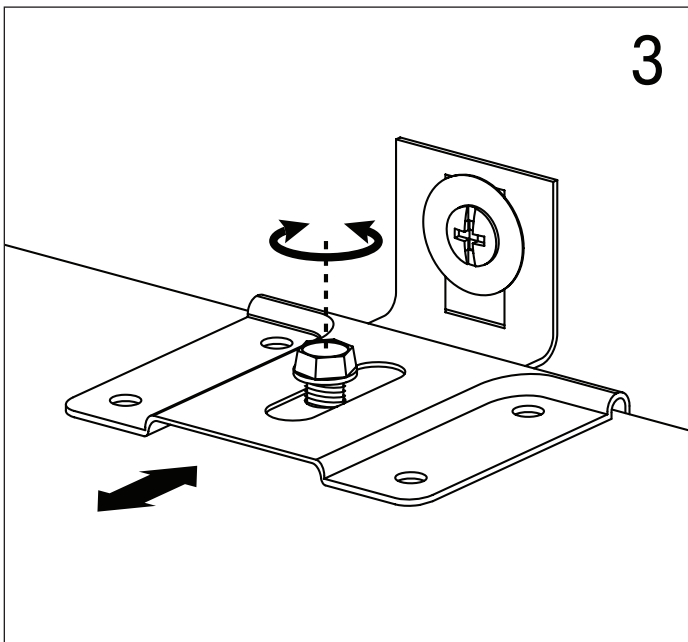
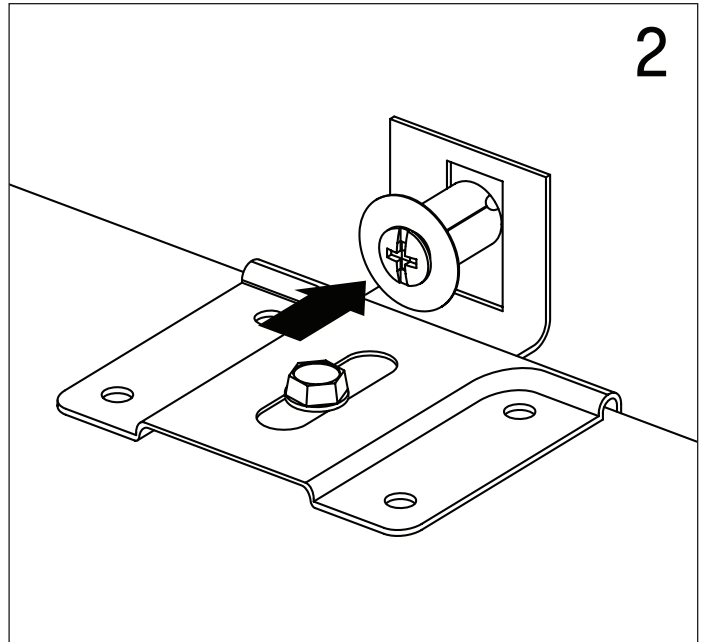
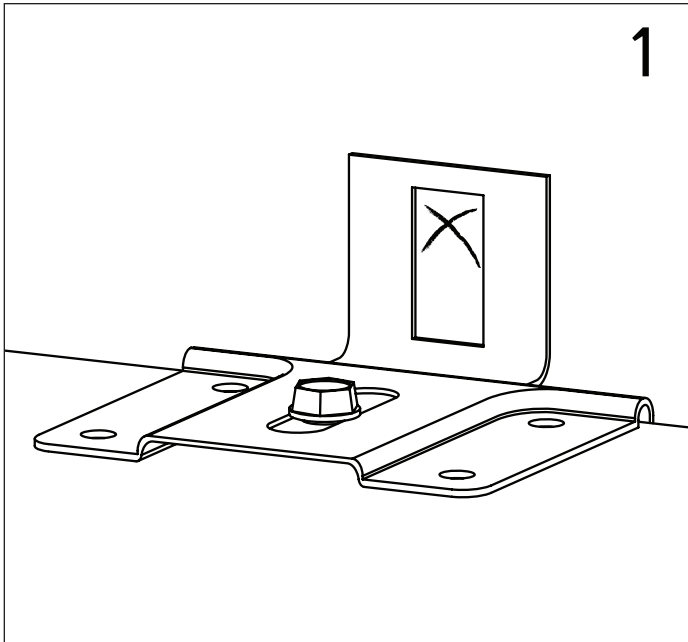
OPTIONAL WAND LIGHTING

- 2** Drill $\frac{1}{2}$ " hole at $37 \frac{7}{8}$ " measured from the bottom of the structure (from inside) and $1 \frac{1}{2}$ " in from the side. Drill $\frac{1}{2}$ " hole at $69 \frac{1}{8}$ " measured from the bottom of the structure (from inside) and $1 \frac{1}{2}$ " in from the side.



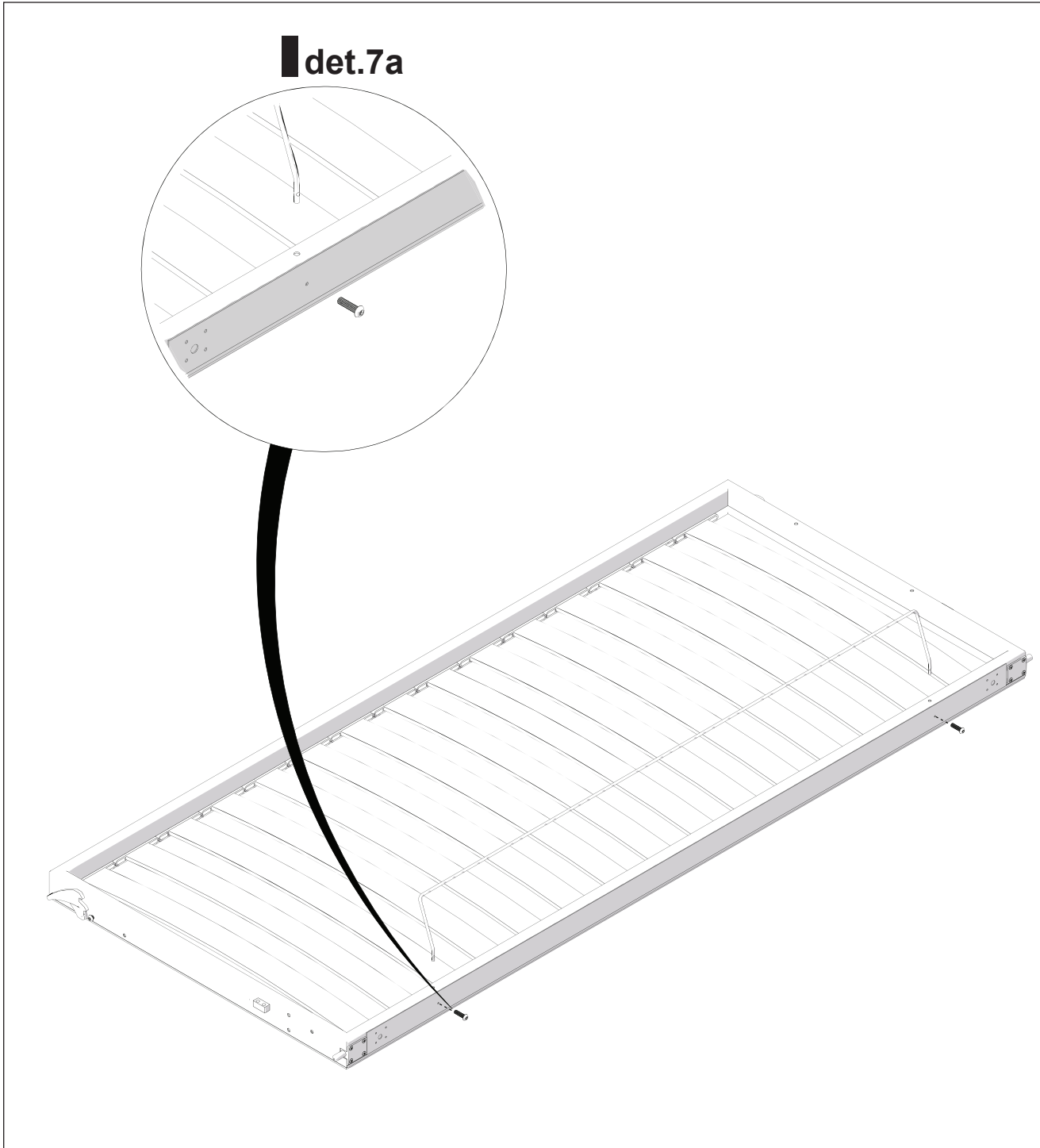
WALL BED ATTACHMENT

4 After the unit is level and plumb it should be securely attached to the wall using the metal angle mounting brackets as shown in the images below. A proper wall anchor suitable for the wall's construction must be selected by the contractor or installer.



BED BASE INSTALLATION

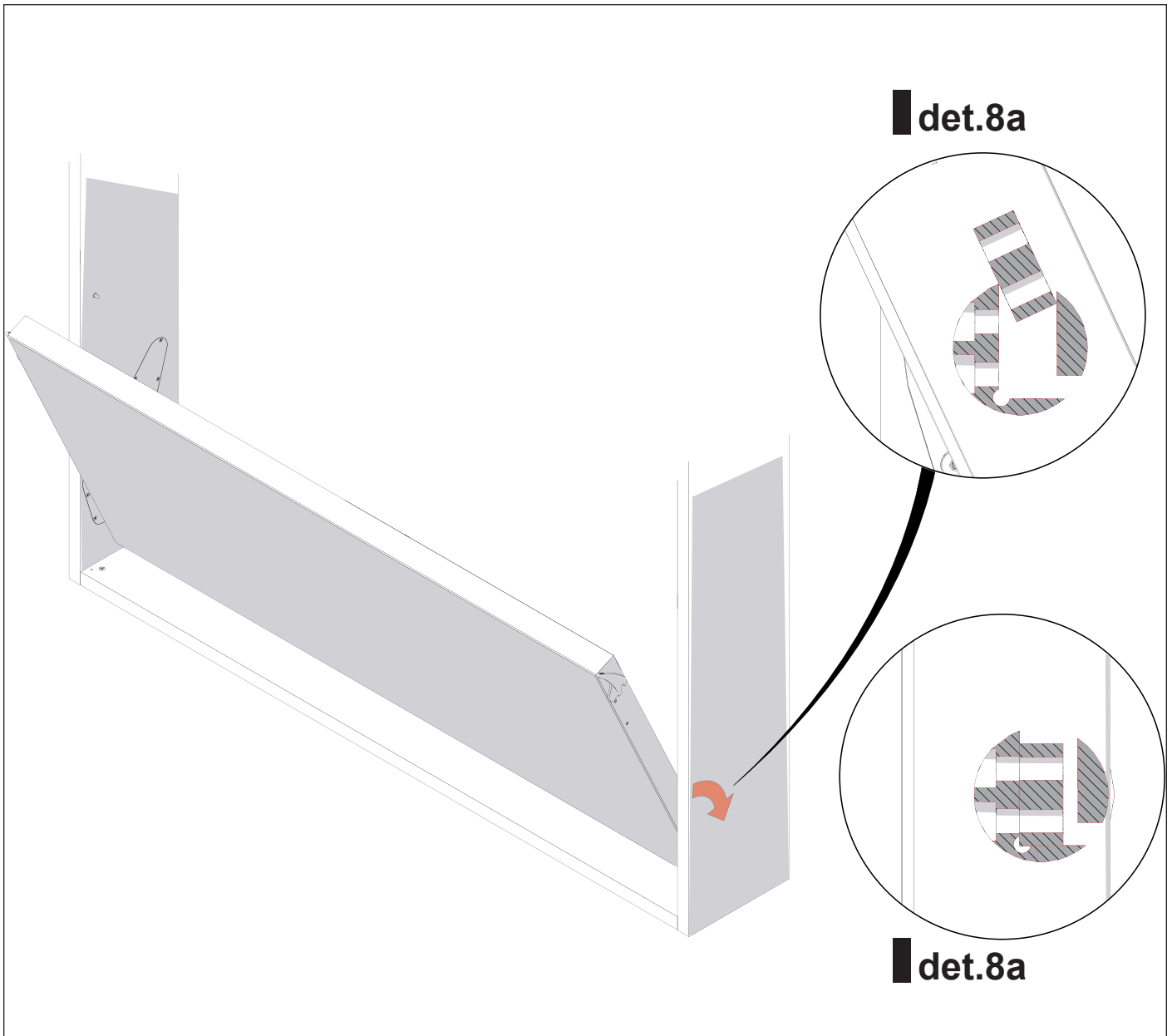
- 5** Mattress bar must be installed before the bed base is inserted into the structure. Fasten the 11 mattress support bars to the 5 lower and 6 upper bed frames using the 5MA x 20 screws attached to each bar.



LOWER BED BASE INSTALLATION

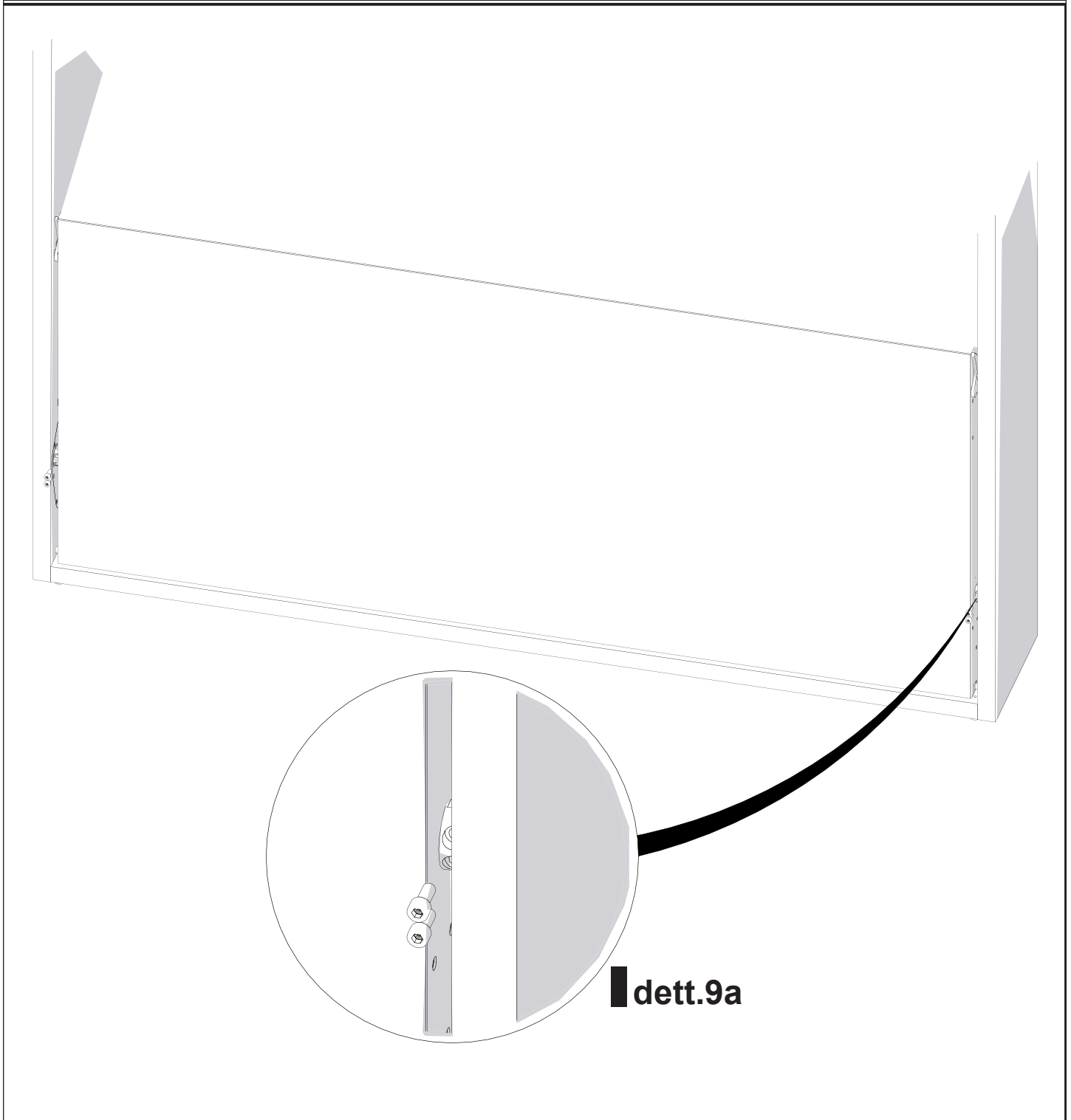
6

Position and insert the (5) bed frame within the structure as shown in det. 8a.



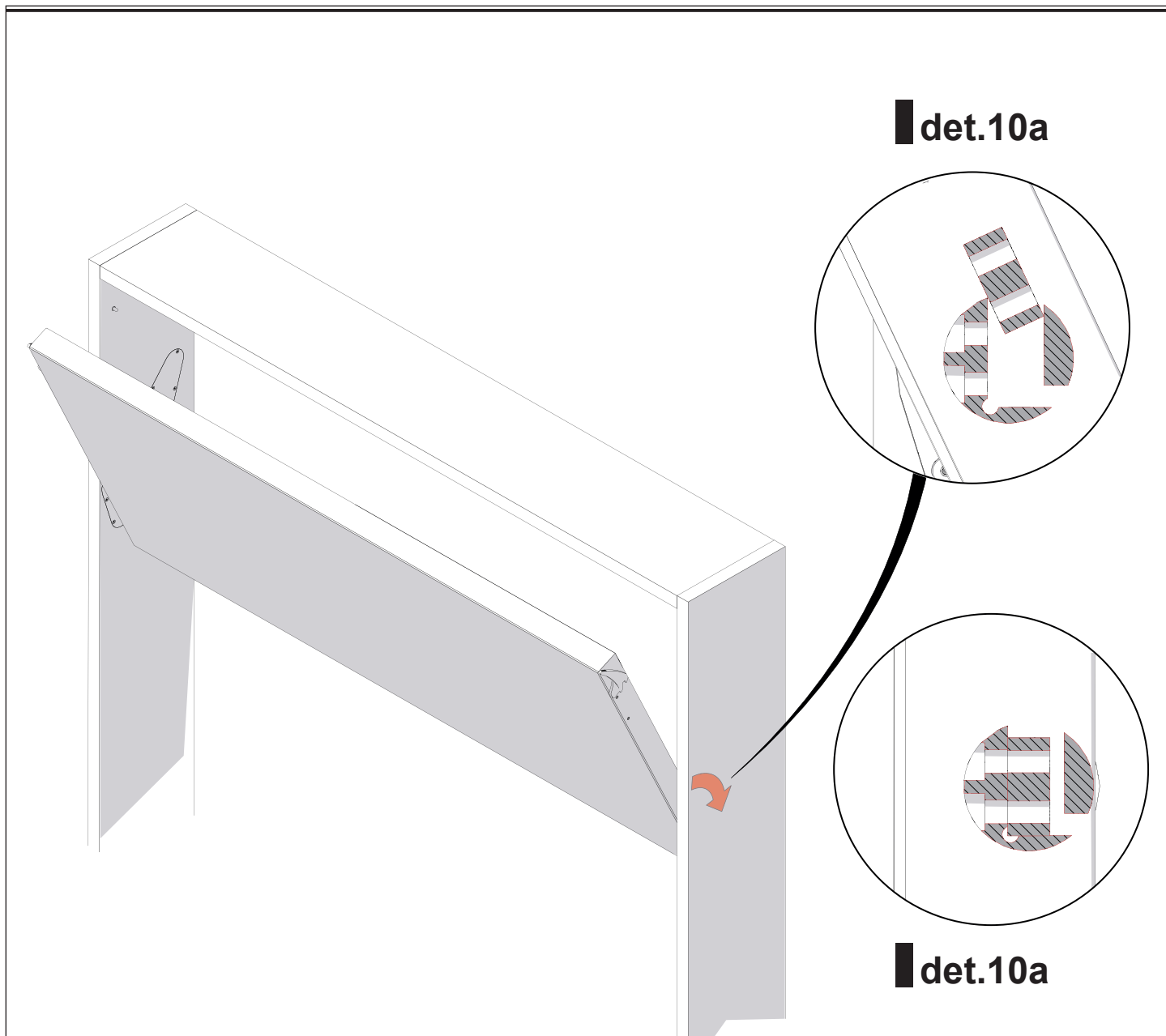
LOWER BED BASE INSTALLATION

- 7** Close the lower bed and fasten 2 (D) hex screws into the mechanisms on both vertical panels, as shown in det. 9a.



UPPER BED BASE INSTALLATION

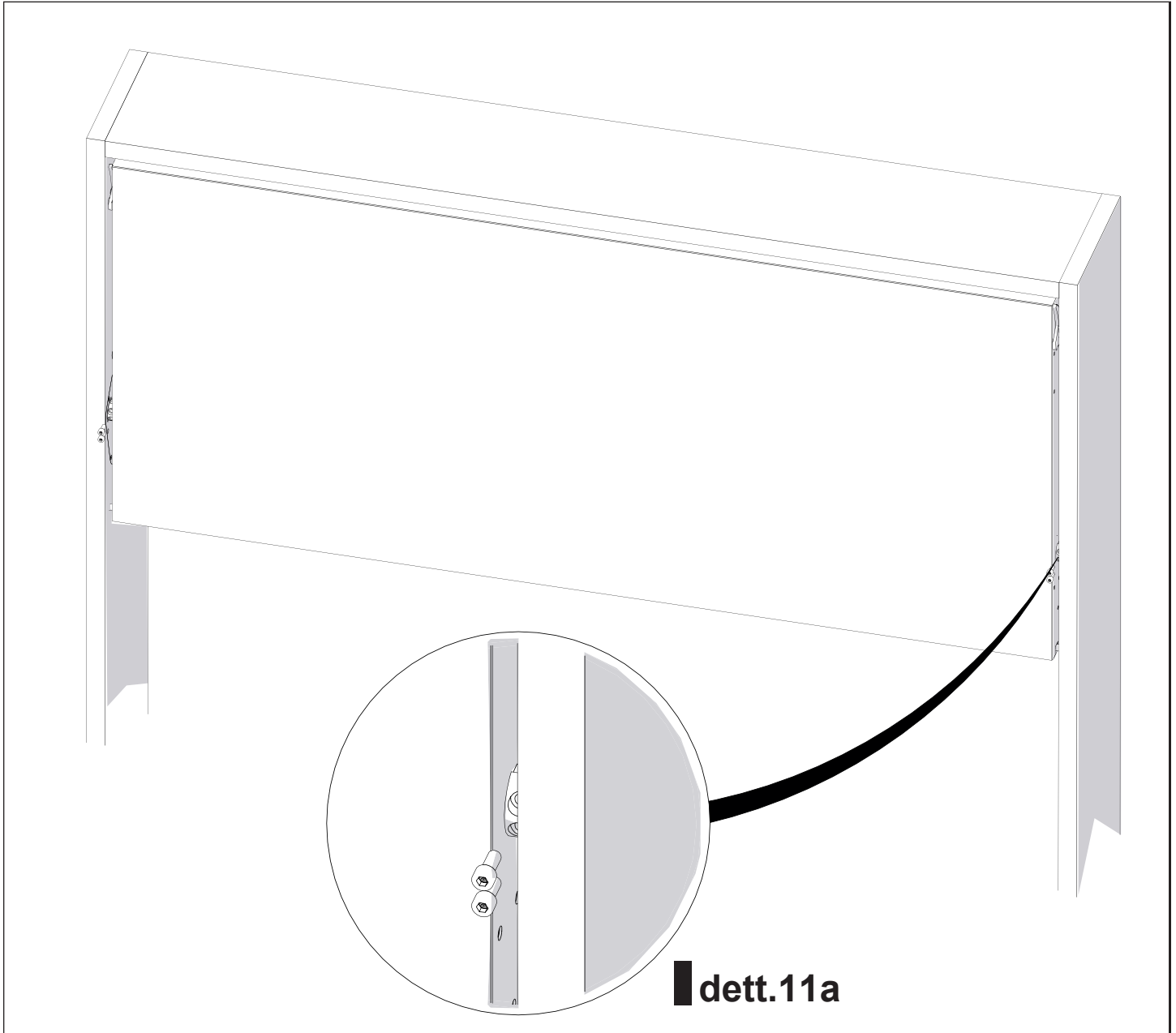
8 Position and insert the (6) upper bed frame within the structure as shown in det. 10a.



UPPER BED BASE INSTALLATION

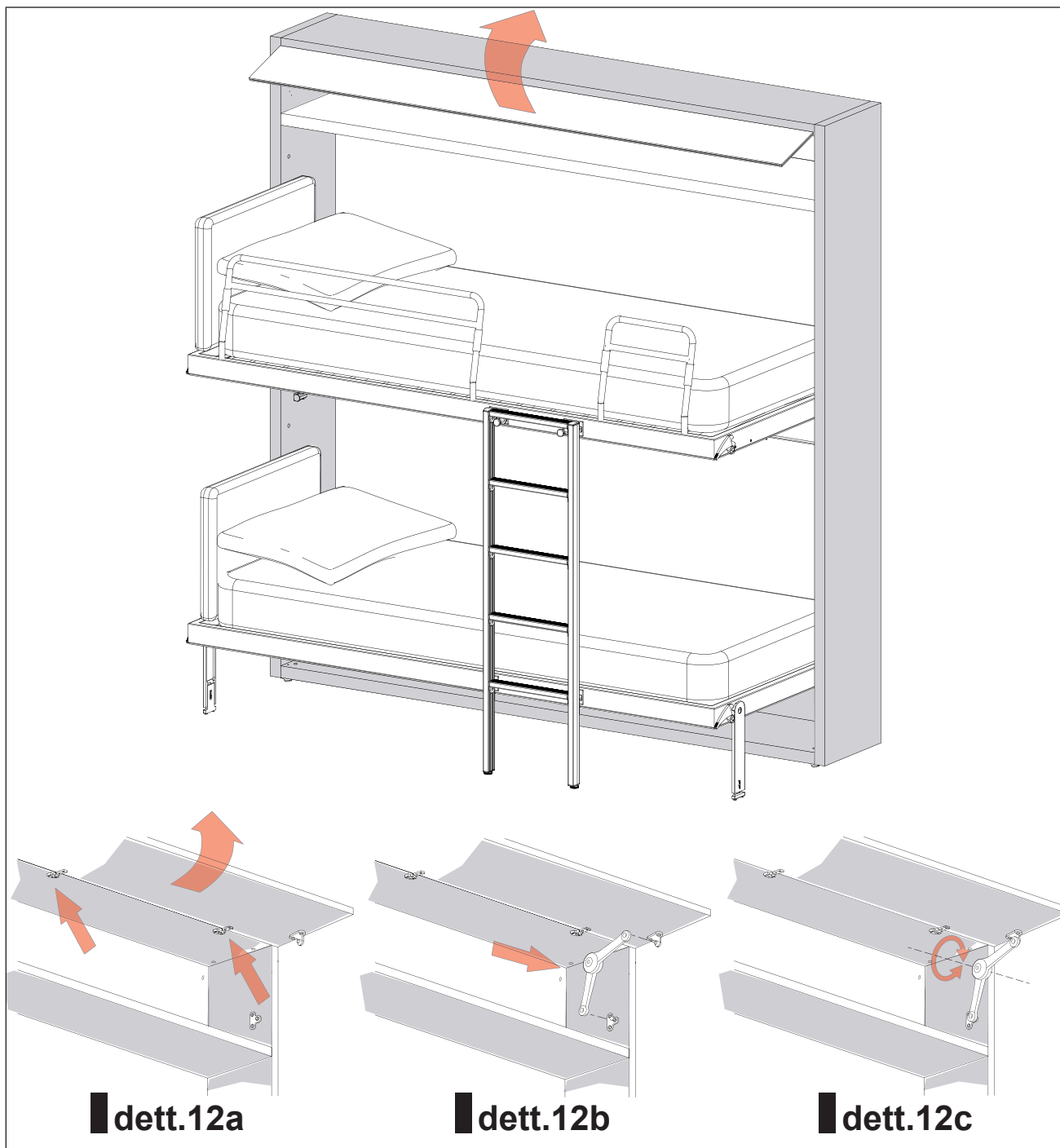
9

Close the upper bed and fasten 2 D hex screws into the mechanisms on both vertical panels, as shown in det. 11a.



UPPER STORAGE ASSEMBLY

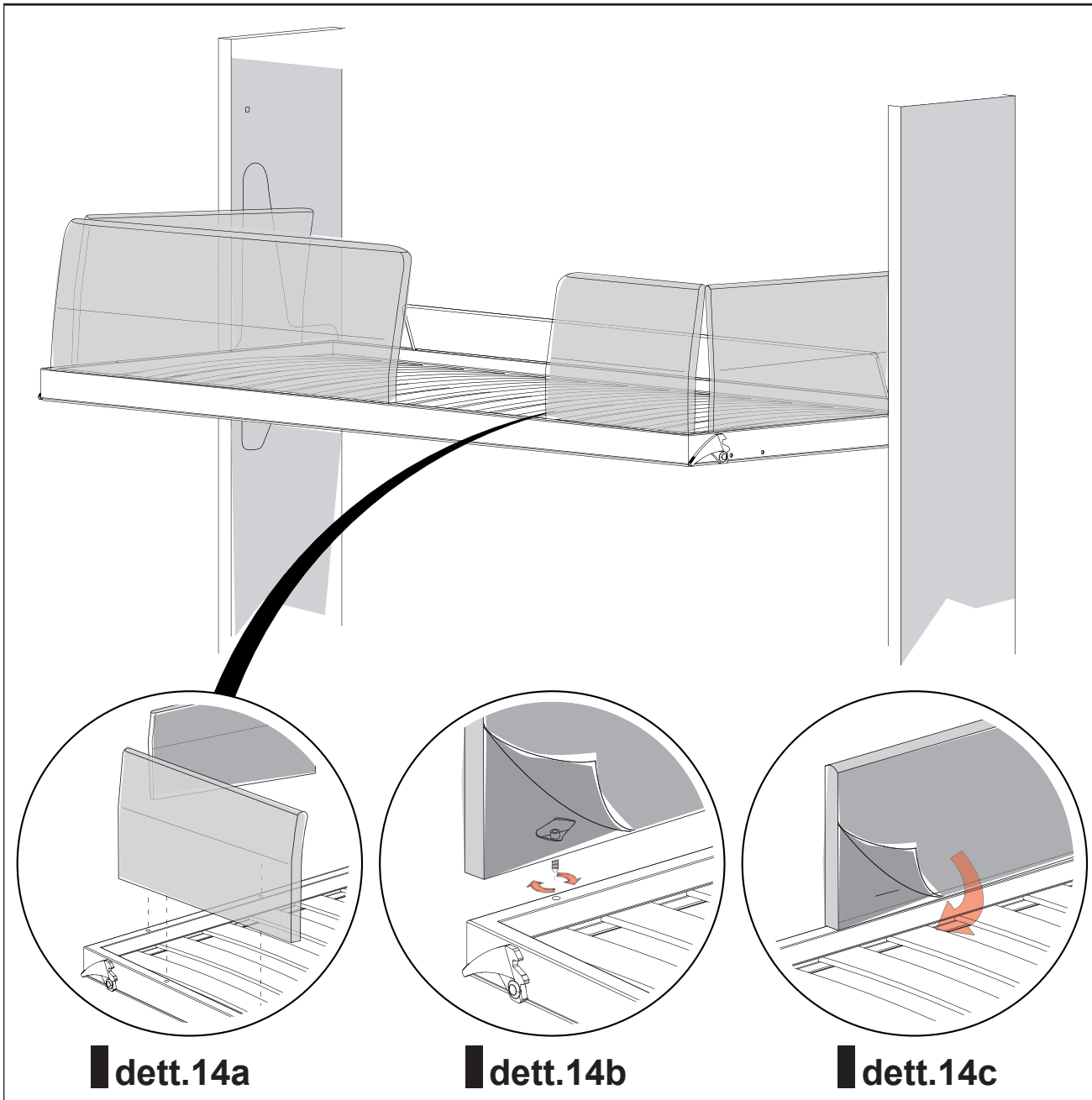
- 10** Open the upper storage cabinet fully and attach the 4 hinges to the metal plates on the top panel. Attach the 2 (E) metal brackets to each side of the cabinet. Using an allen wrench, adjust the bracket so that it can fully support the weight of the storage door when open.



UPPER PADDED BARRIERS ASSEMBLY

11

Open the upper bed frame by pressing down on one of the two locking levers. 14a - Align the (16) long and (17) short padded barriers with the appropriate holes on the bed frame. 14b - Lift the barrier fabric as shown and fasten the barriers to the bed frame using 8 8MA x 50 screws 14c - Close the fabric.



CLOSING UPPER PADDED BARRIERS

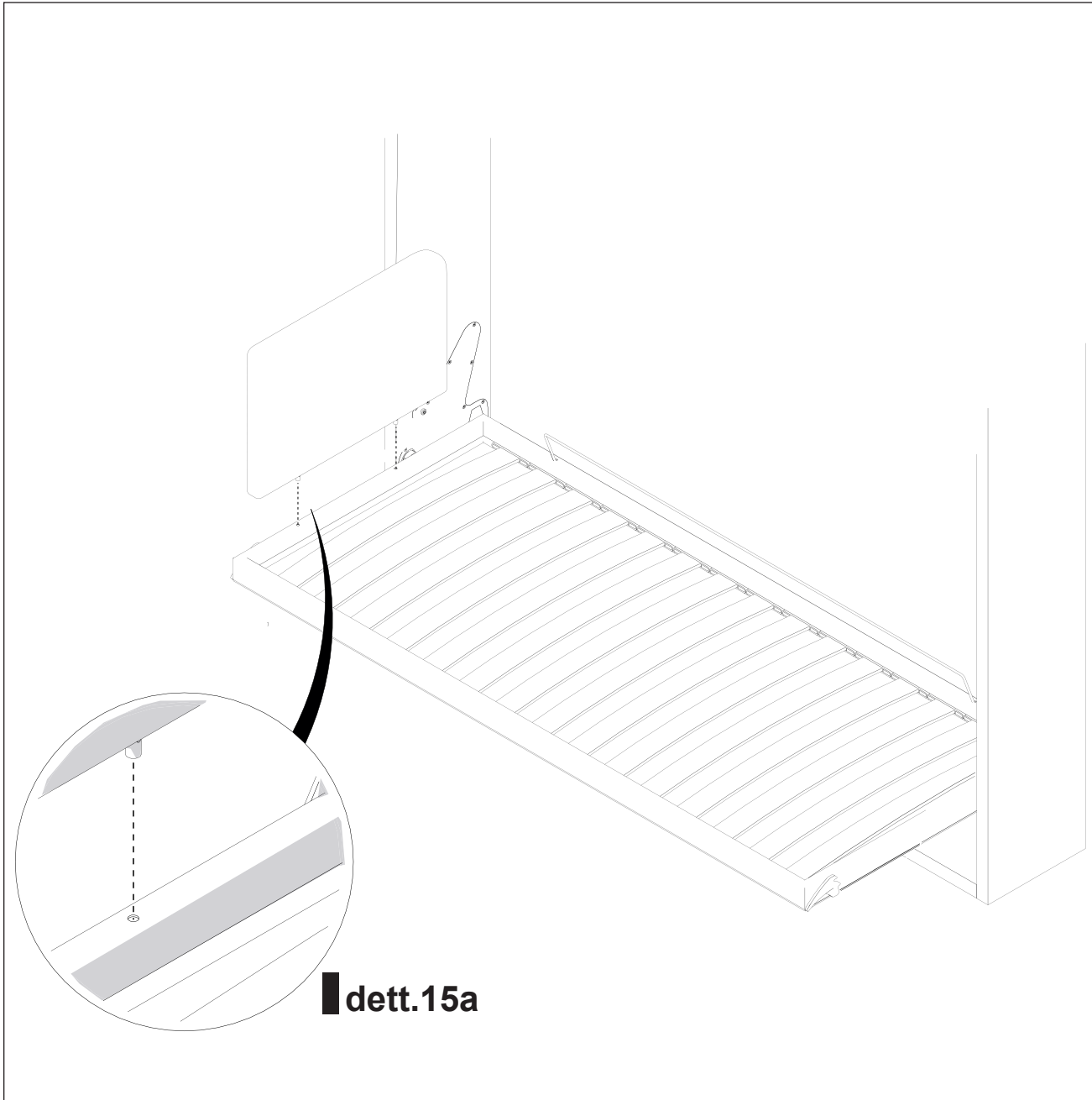
12

The padded bed frames on the upper bed frame lock into upright position. In order to close the bed frame, you must first fold down the barriers. Close the barriers at the head and the foot of the bed by pushing the button as shown to disengage the lock and safely fold the barriers down on to the mattress. Starting with the barriers on the long side of the bed, push the button as shown below to disengage the lock and safely fold the barriers down on to the mattress.



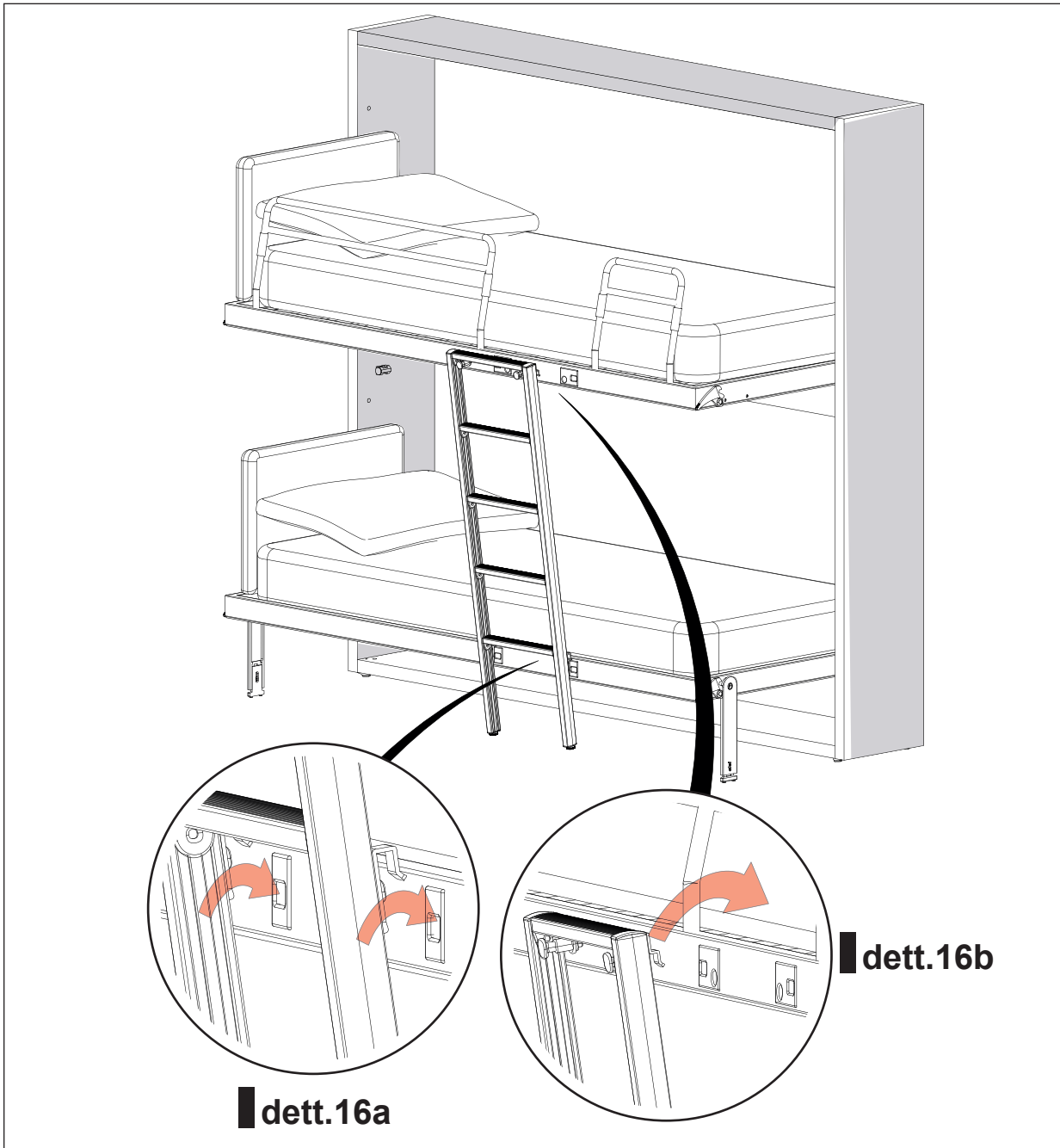
BOTTOM HEADBOARD INSTALLATION

- 13** Open the lower bed frame by pressing down on one of the two locking levers. Remove the 2 caps from the end of the lower bed frame on which you wish to place the headboard. Fasten the headboard to the frame using the screws included with the headboard.



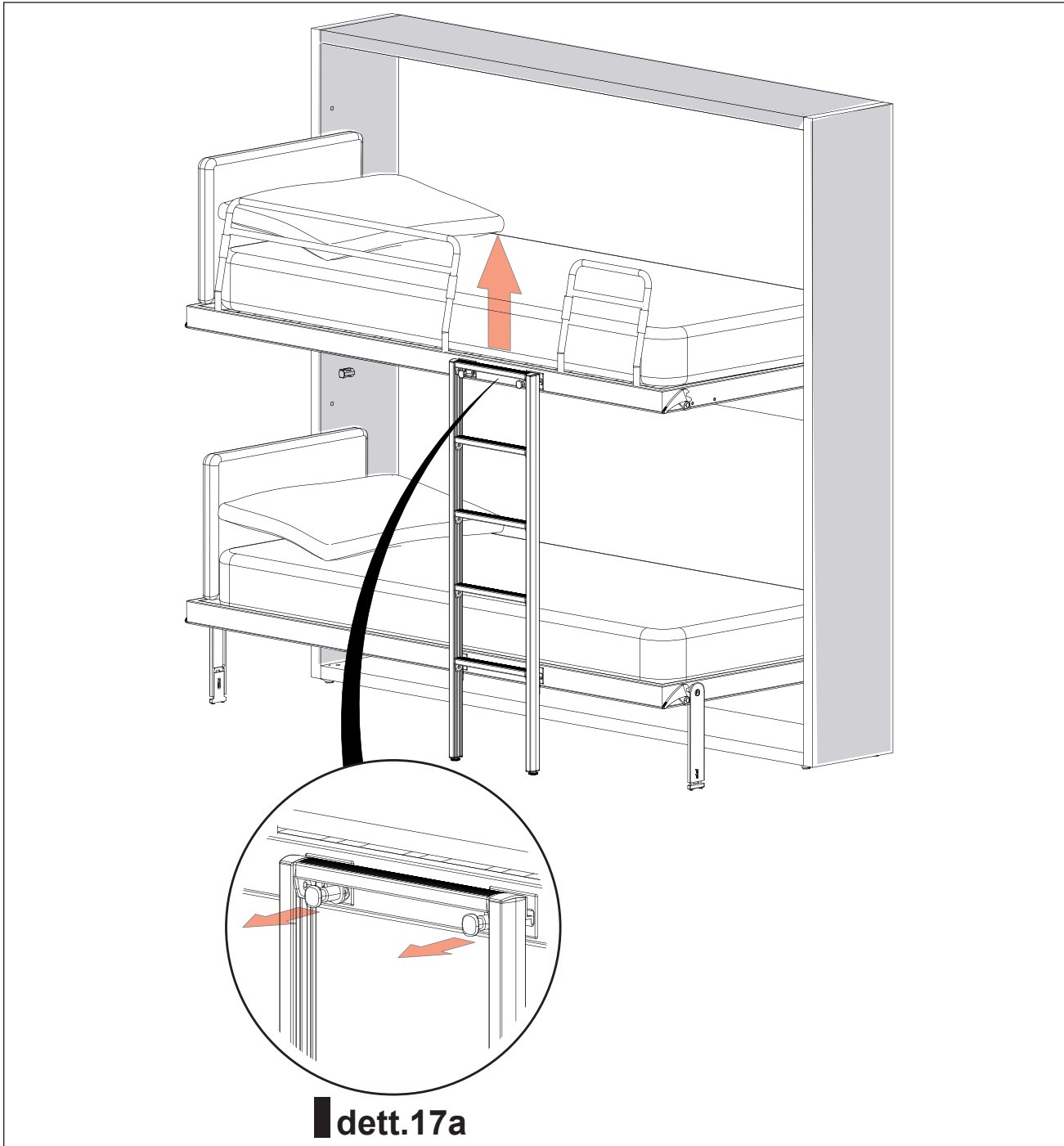
REMOVABLE LADDER

- 14** Ensure that both the upper and lower beds are open and locked in horizontal position. Position the ladder close to the metal slots on each bed frame (det. 15a). Gently tilt the ladder away from the structure, inserting the lower hooks into the slots on the lower bed frame (det. 15a). Straighten the ladder upright and insert the upper hooks into the slots on the upper bed frame (det. 15b). Pull the ladder down, ensuring that both the upper and lower mechanisms are locked securely. Adjust the height of the ladder by turning the feet at the bottom so that it stands level to the floor when in locked position. The ladder must be used if upper bunk is open.



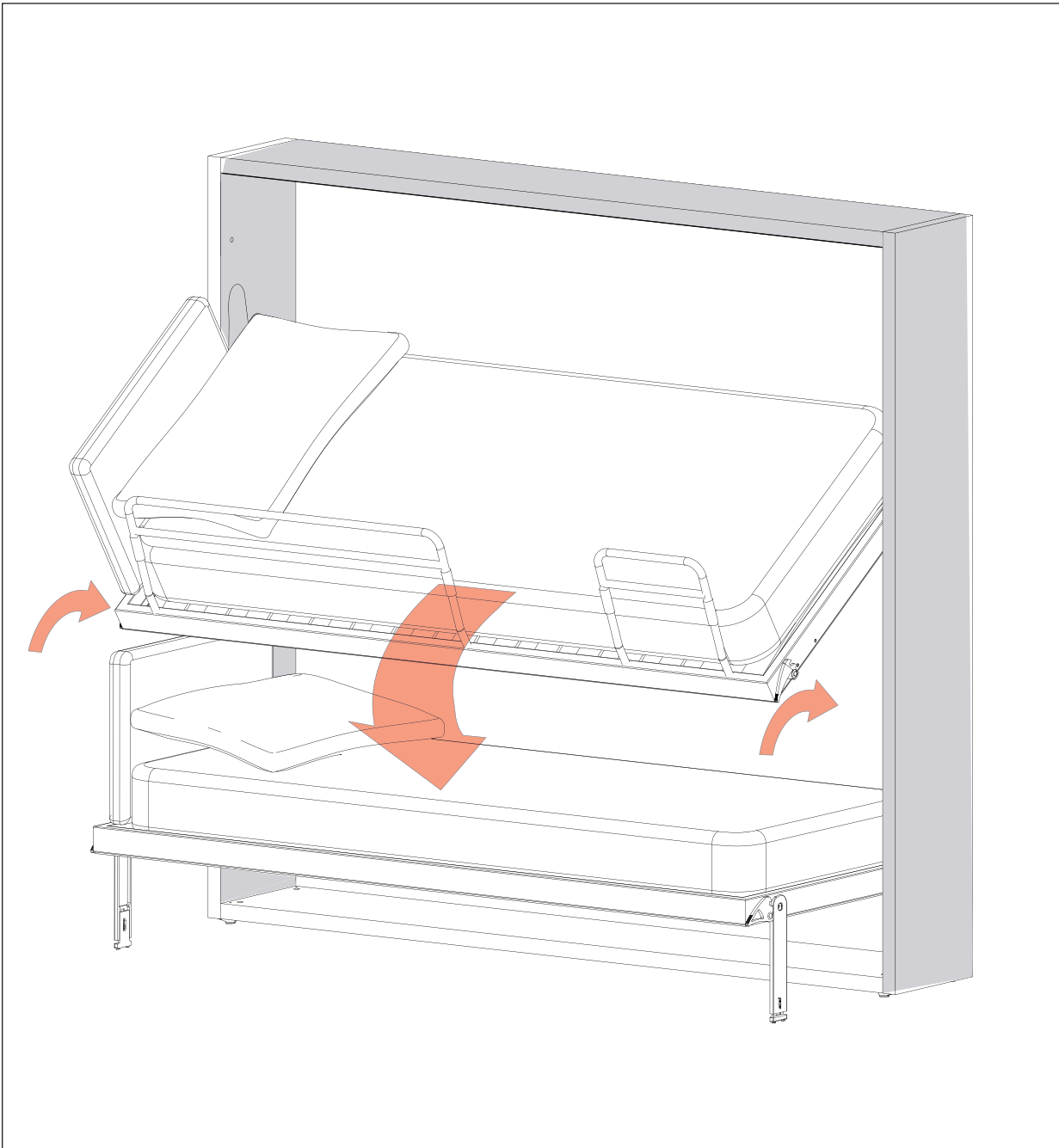
REMOVABLE LADDER

- 15 To remove the ladder from the structure, pull the two pins at the top of the ladder (det. 16a) to unlock the mechanism, while simultaneously pulling the ladder hooks up and away from the slots.



MAKING THE UPPER BED

- 16** The Kali Duo bunk-bed system contains a mechanism that allows the upper bed frame to tilt downwards so that it is easy to make the bed. When the upper bunk is in its horizontal position, press down on one of the two locking levers and gently pull the bed downwards. To bring the bed back to its horizontal position, press down on one of the two locking levers and lift the bed upwards until it locks in place.



SAFELY OPERATING YOUR KALI DUO BED

OPENING YOUR KALI DUO BED

1 **Remove the sofa cushions.** Locate the levers on either side of the beds.



2 **Release latch** on either side of the beds with one hand, holding the top of the bed panel with the other.

Gently **pull the beds down** into their locked, horizontal positions.



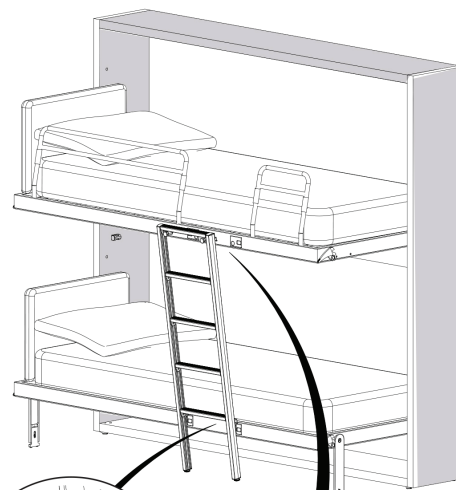
3 **Raise the upper padded barriers** and bottom headboard, making sure all of the upper barriers lock in place.

4 Ensure that both the upper and lower beds are open and locked in horizontal position. Position the ladder at the metal slots on each bed frame.

Gently tilt the ladder away from the structure, inserting the lower hooks into the slots on the lower bed frame (detail A).

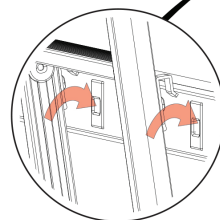
Straighten the ladder upright and insert the upper hooks into the slots on the upper bed frame (detail B).

Pull the ladder straight down, ensuring that both the upper and lower mechanisms are locked securely.

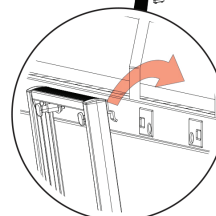


! **The ladder must be locked in place if the upper bunk is open.**

5 **See you in the morning!**



dett.28a



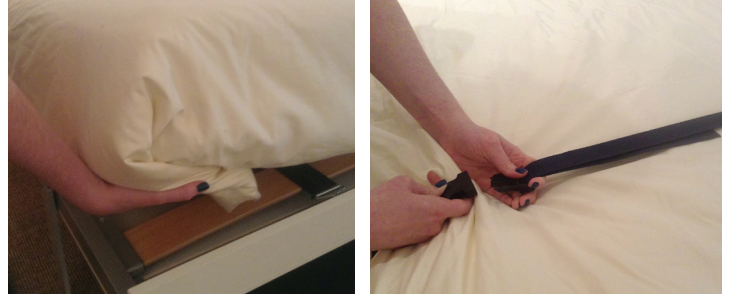
dett.28b

SAFELY OPERATING YOUR KALI DUO BED

CLOSING YOUR KALI DUO BED

1 Remove **bed pillows** and tuck bedding in on all sides around and under the mattress

Latch both mattress straps over the bedding.

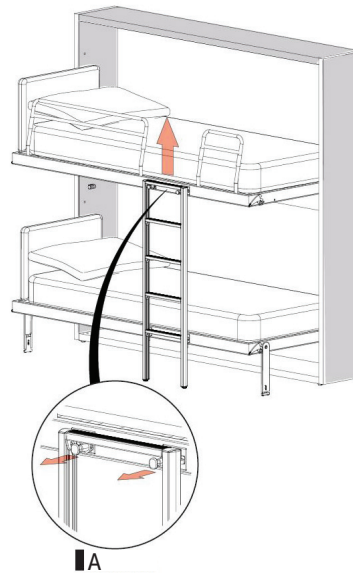


2 Remove **ladder** from structure by **pulling the two pins** at the top of the ladder (detail A) to unlock the mechanism, while simultaneously **pulling the ladder hooks up and away** from the slots.

! You must **fold down the barriers and bottom headboard** in order to close the bed frame into the structure.

3 Starting with the barriers on the long side of the bed, **push the button** as shown below to disengage the lock and **fold the barriers down** on to the mattress.

Close the barriers at the head and the foot of the bed using the same method.



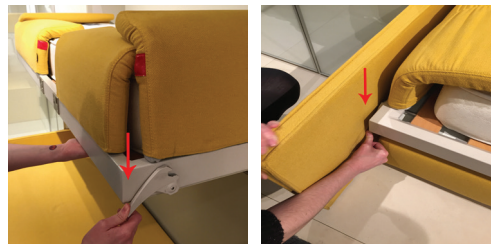
4 Remove **bed pillows** and tuck bedding in on all sides around and under the mattress

Latch both mattress straps over the bedding.

Release the latch on either side of the bed with one hand, and **lift the bed** up into its upright position with the other hand.



! **Just one more thing: You can stand on principle, but never stand on the sofa!**



NOTE: Your Kali Duo is designed so that most bedding can remain on the bed when closed. If you experience difficulty closing the bed, your bedding might be too thick.

