

Assembly Instructions

Kali 90/120










resource

WARNING

READ CAREFULLY BEFORE BEGINNING INSTALLATION.

IMPROPER INSTALLATION OF THE PRODUCT MAY CAUSE SERIOUS INJURY

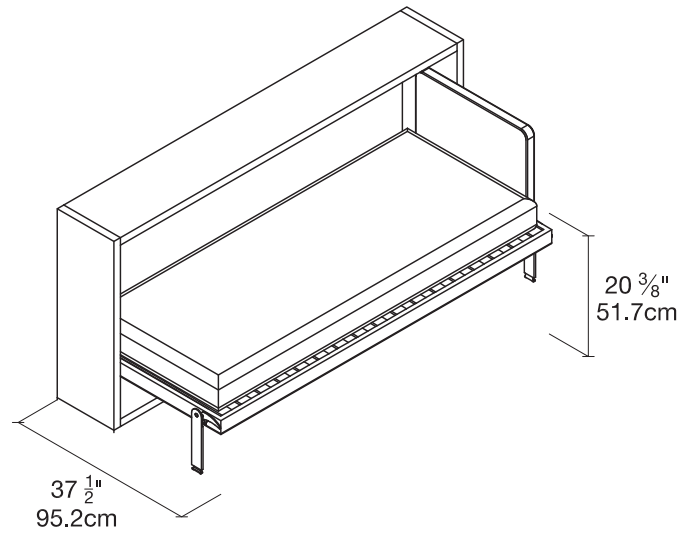
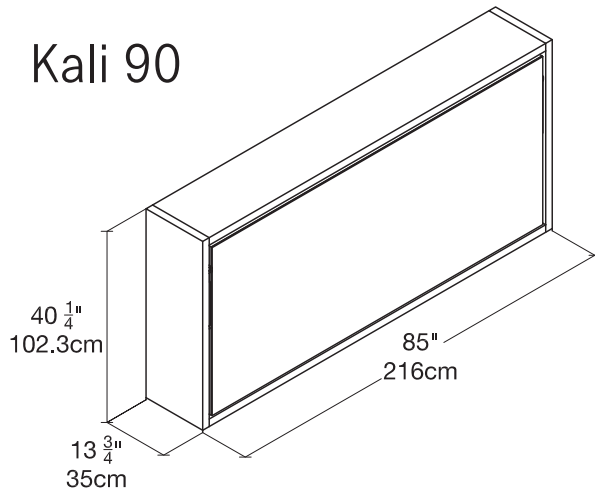
-  Installation must be performed by a licensed contractor or a trained professional, who will ensure proper assembly and installation.
-  Installation must be performed by at least 2 people.
-  Improper installation of this product can cause serious or fatal injury.
-  Improper installation may result in permanent damage to the bed.
-  The wall bed must be secured to the wall in four locations using appropriate hardware. The contractor or installer must select the proper anchoring hardware.
 - The wall anchors included are for solid concrete walls only.
 - Walls with wooden studs: Wood screws must be screwed into wooden studs in the wall.
 - Any other wall composition: A proper wall anchor suitable for the wall's construction must be selected by the contractor or installer.
-  No anchor can be used twice. If the product is removed from the wall, new anchor holes must be drilled and new hardware must be used.
-  All hardware must be properly tightened. No parts of the model should be left loose or unstable.

Warranties for all products purchased from Resource Furniture, LLC are only valid if the product has been properly assembled, installed by a trained professional, and operated in accordance with the assembly instructions.

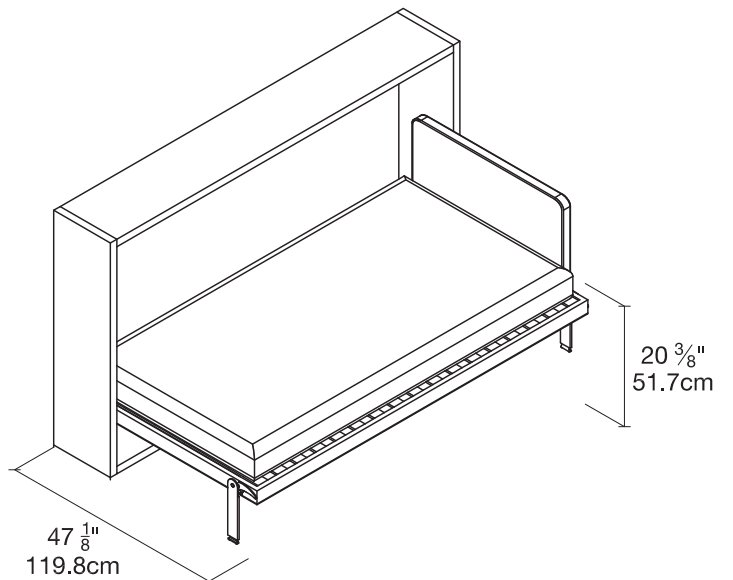
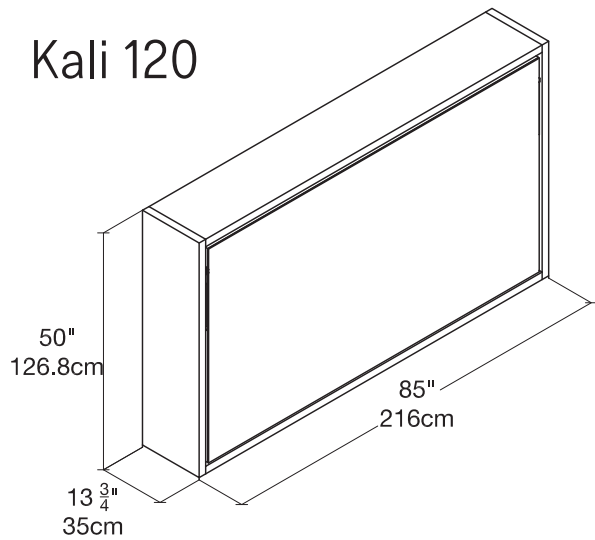
Resource Furniture accepts no responsibility for any damage or injury caused by improper installation.

KALI OVERVIEW

Kali 90



Kali 120



KALI 90 MATTRESS SPECIFICATIONS

Recommended weight: ~ 36 lbs

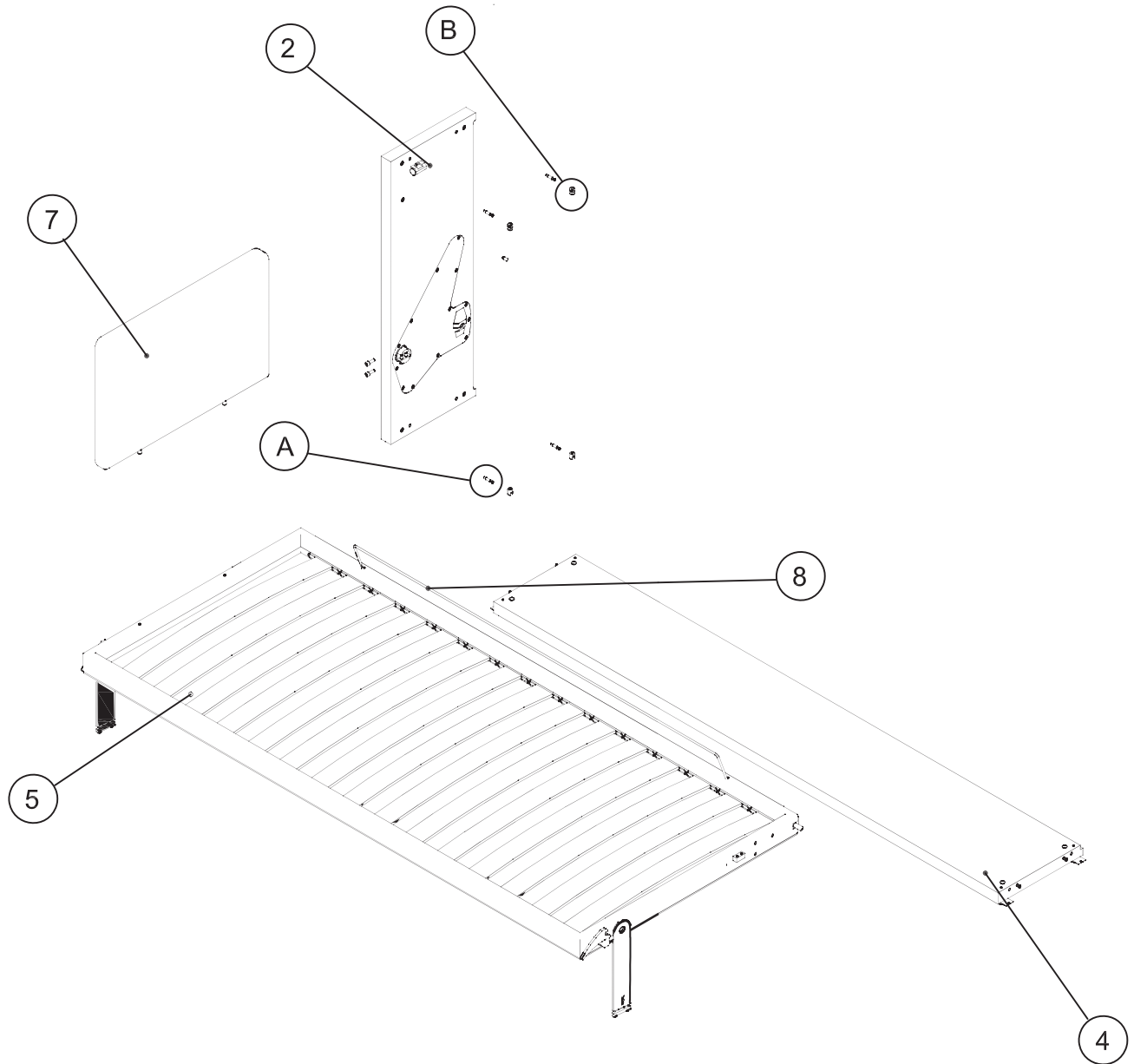
Recommended dimensions: 31 1/2" x 78" x 7"

KALI 120 MATTRESS SPECIFICATIONS

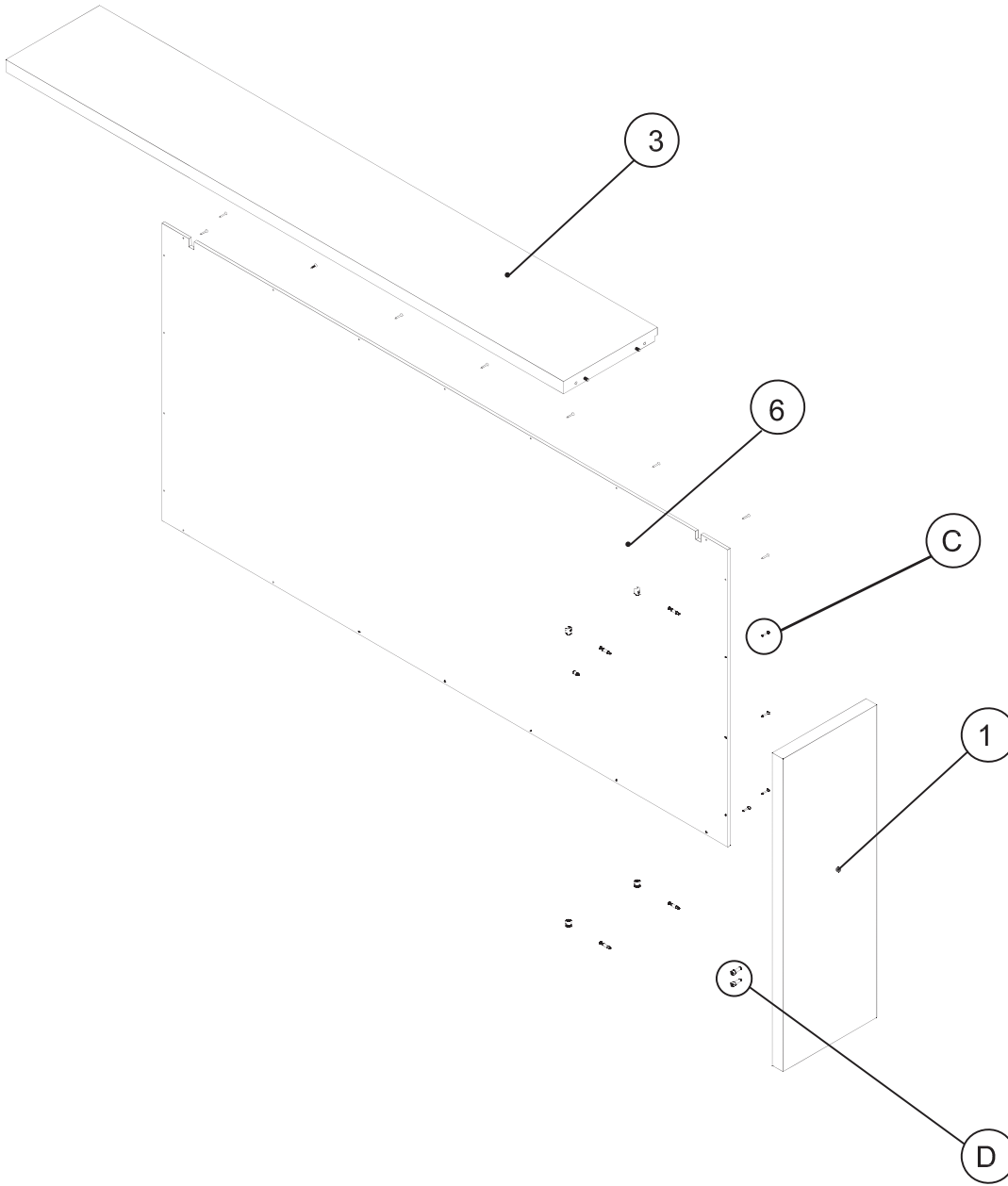
Recommended weight: ~ 50 lbs

Recommended dimensions: 41" x 78" x 7"

KALI OVERVIEW



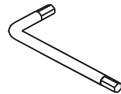
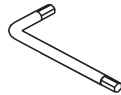
KALI OVERVIEW



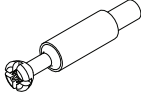

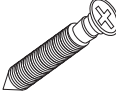
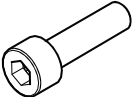
KALI COMPONENTS

| CODE | QTY. | COMPONENTS |
|------|------|----------------------------|
| 1 | 1 | Right side panel |
| 2 | 1 | Left side panel |
| 3 | 1 | Top horizontal panel |
| 4 | 1 | Bottom horizontal panel |
| 5 | 1 | Bed frame |
| 6 | 1 | Back panels |
| 7 | 1 | Headboard |
| 8 | 1 | Metal mattress support bar |

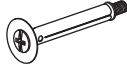
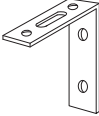
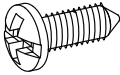
KALI TOOLS

| QTY. | DESCRIPTION | |
|------|-------------------|---|
| 1 | Allen wrench 4 MM |  |
| 1 | Allen wrench 6 MM |  |

KALI STRUCTURAL HARDWARE

| CODE | QTY. | DESCRIPTION | |
|------|------|---|--|
| A | 8 | Connector bolts |  |
| B | 8 | Cam connectors |  |
| C | 22 | Phillips screw |  |
| D | 4 | Hex screws - for attaching bed frame to structure |  |

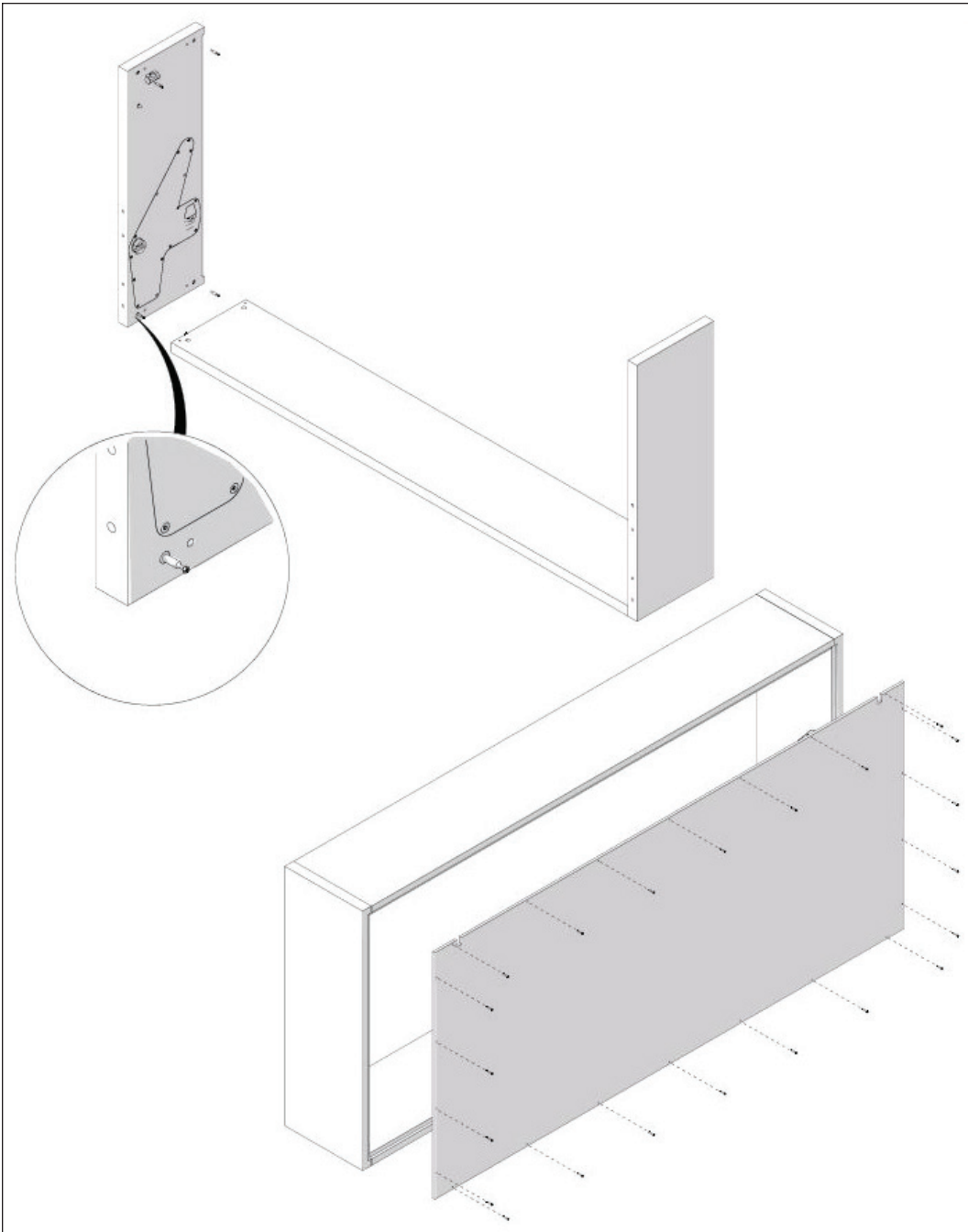
KALI WALL MOUNTING HARDWARE

| CODE | QTY. | DESCRIPTION | |
|------|------|---|--|
| WA | 4 | Wall anchors supplied anchors are for solid concrete walls only |  |
| WA | 2 | Wall brackets |  |
| WA | 4 | Bracket screws |  |

Note: The installer must determine the composition of the wall and appropriate anchors prior to installation. The wall anchors included are for solid concrete walls only.

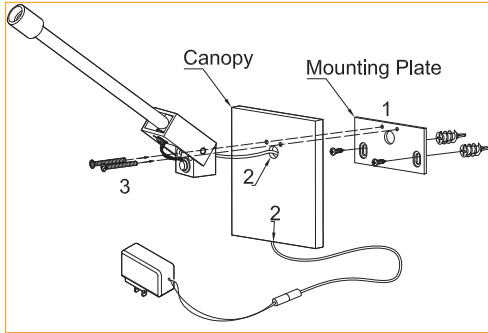
STRUCTURE ASSEMBLY

- 1** Screw 8 (A) connector bolts into the (1) right vertical and (2) left vertical panels. Attach the (3) horizontal top and (4) horizontal bottom panels to the vertical panels by inserting and tightening 8 (B) cams. Attach the (6) back panel to the structure with 22 (C) Phillips screws.

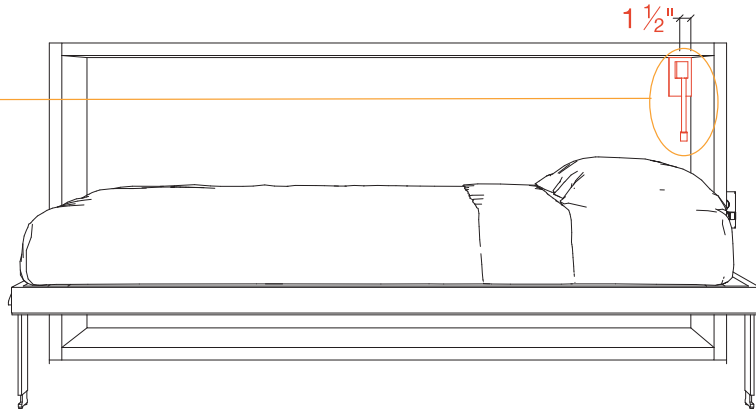


OPTIONAL KALI 90 WAND LIGHTING

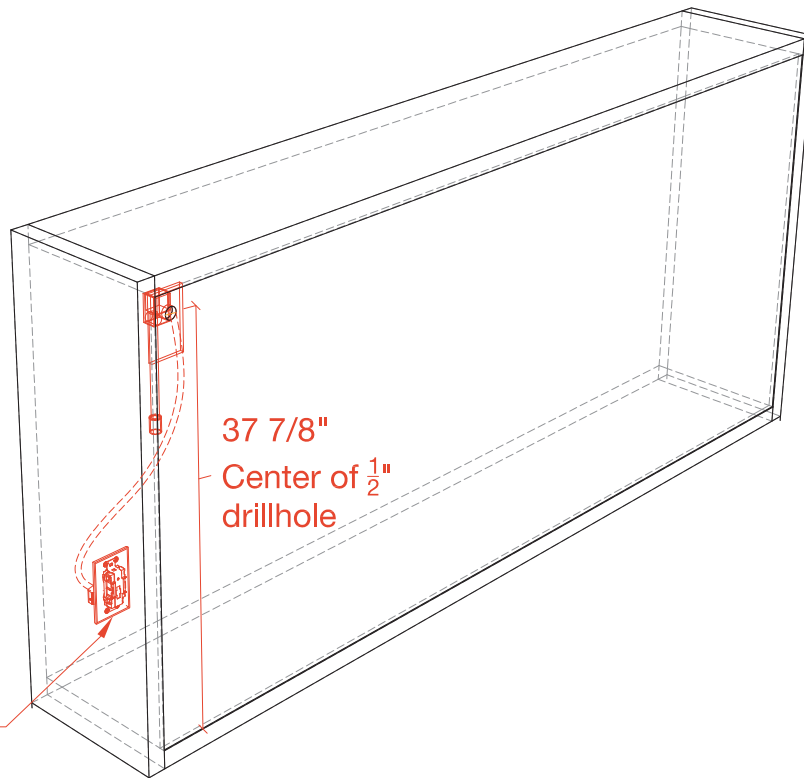
- 2** Drill $\frac{1}{2}$ " hole at $37 \frac{7}{8}$ " measured from the bottom of the structure (from inside) and $1 \frac{1}{2}$ " in from the side. Install mounting Plate with provided wood screws, aligning the $\frac{1}{2}$ " drill holes.



Wand Light Exploded Diagram
Cord Length = 118"



Front

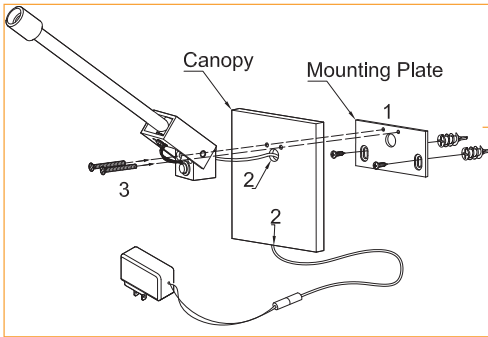


Receptacle cannot be placed directly behind wall bed.

Back

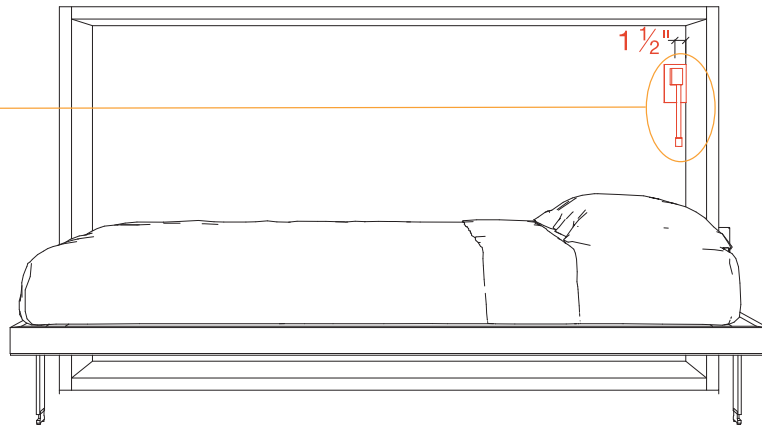
OPTIONAL KALI 120 WAND LIGHTING

- 3** Drill $1/2''$ hole at $37\ 7/8''$ measured from the bottom of the structure (from inside) and $1\ 1/2''$ in from the side. Install mounting Plate with provided wood screws, aligning the $1/2''$ drill holes.

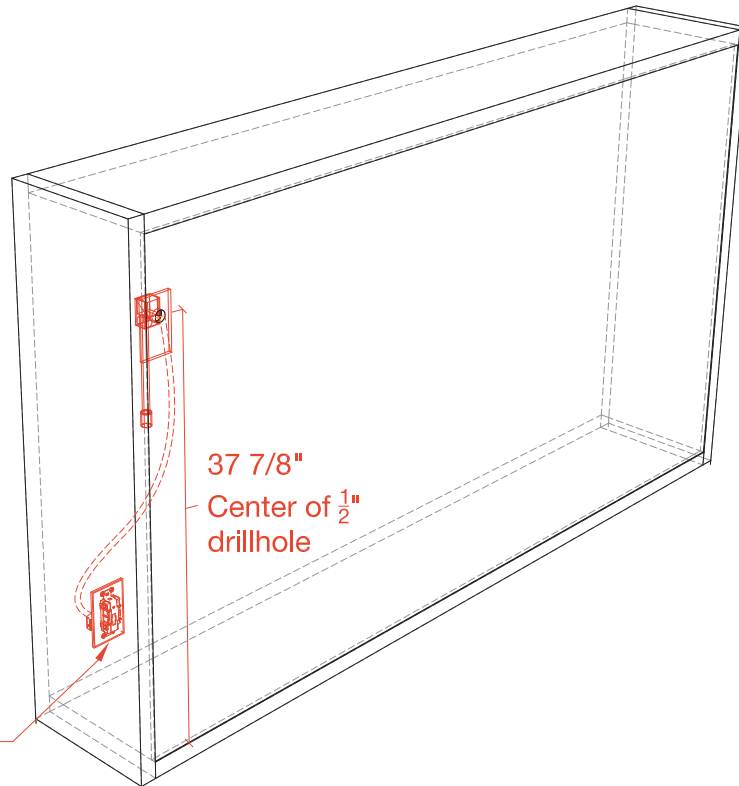


Wand Light Exploded Diagram

Cord Length = 118"



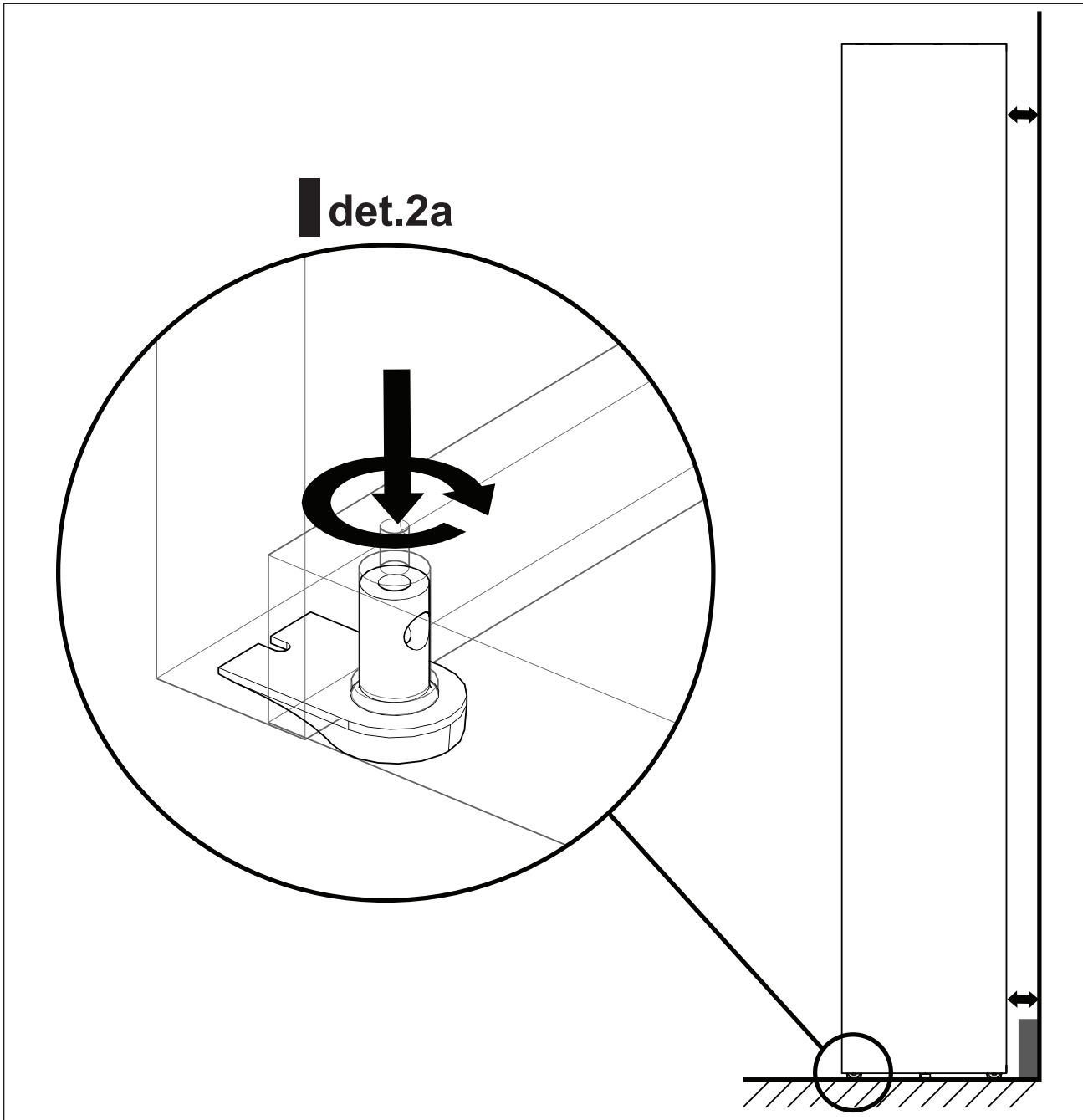
Front



Back

LEVELING THE STRUCTURE

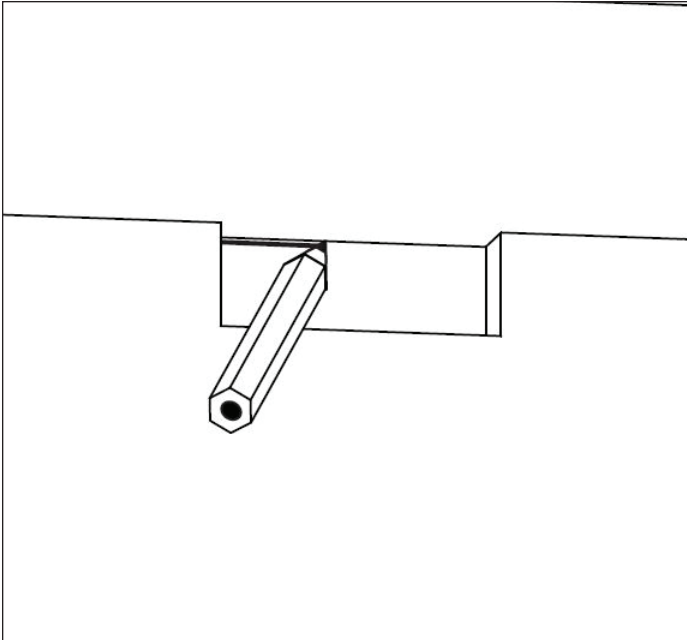
- 4 Ensure that the structure is level and plumb. To compensate for any floor unevenness, use the adjustable feet on the (4) horizontal bottom panel (det. 2a) to level the structure.



WALL BED ATTACHMENT

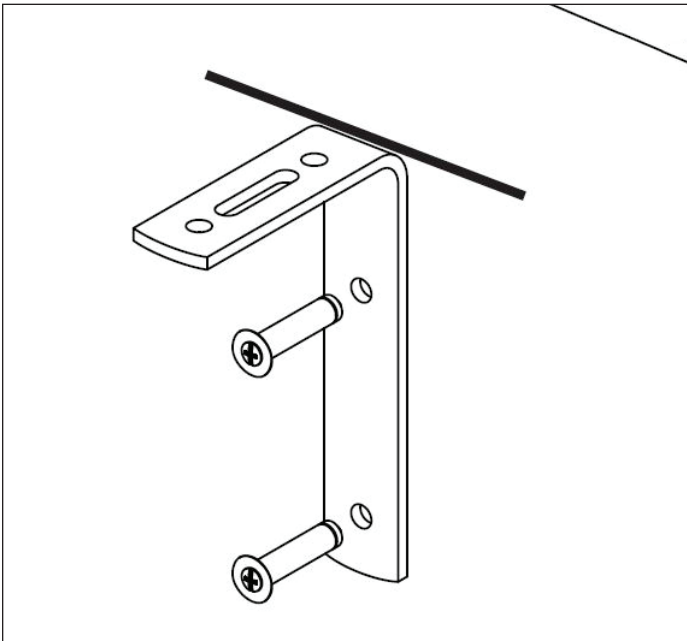
5

Locate the two open spaces at the top of the 6 back panel. Draw a line through the open space along the top 3 panel as shown in Image 3 to mark where the top of the mounting bracket will be placed.



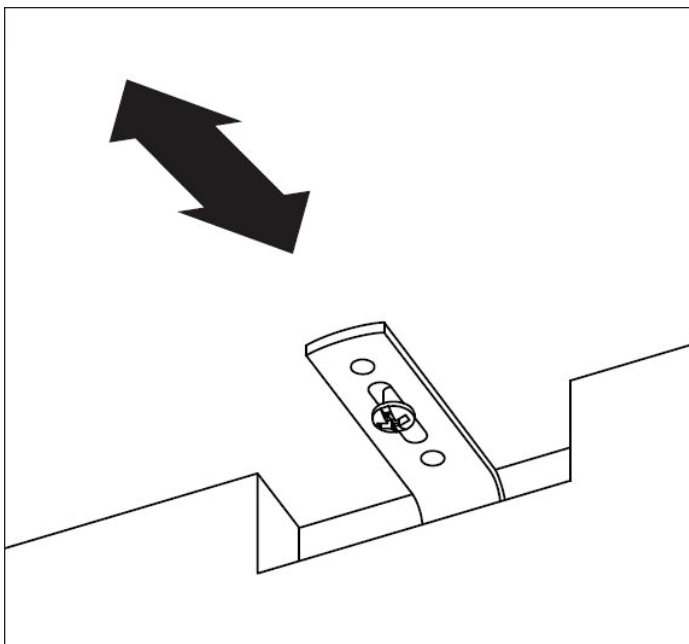
6

Move the structure away from the wall and attach the WB wall bracket to the wall using 2 WA wall anchors. The installer must determine the composition of the wall and appropriate anchors prior to installation.

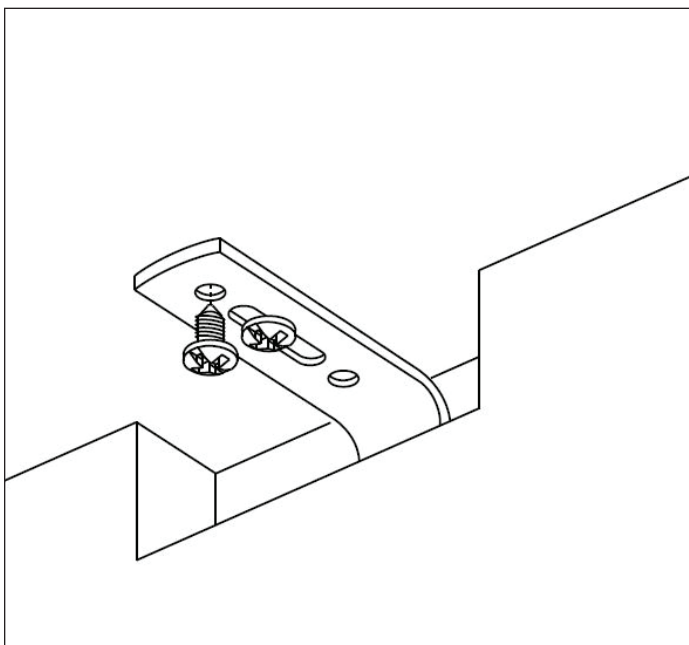


WALL BED ATTACHMENT

- 7** Re-position the structure against the wall, ensuring that the 2 wall brackets pass through the open spaces in the back panel. Attach the bracket to the bottom of the top horizontal panel by screwing 1 (WA) screw into each bracket as shown. Do not fasten completely.

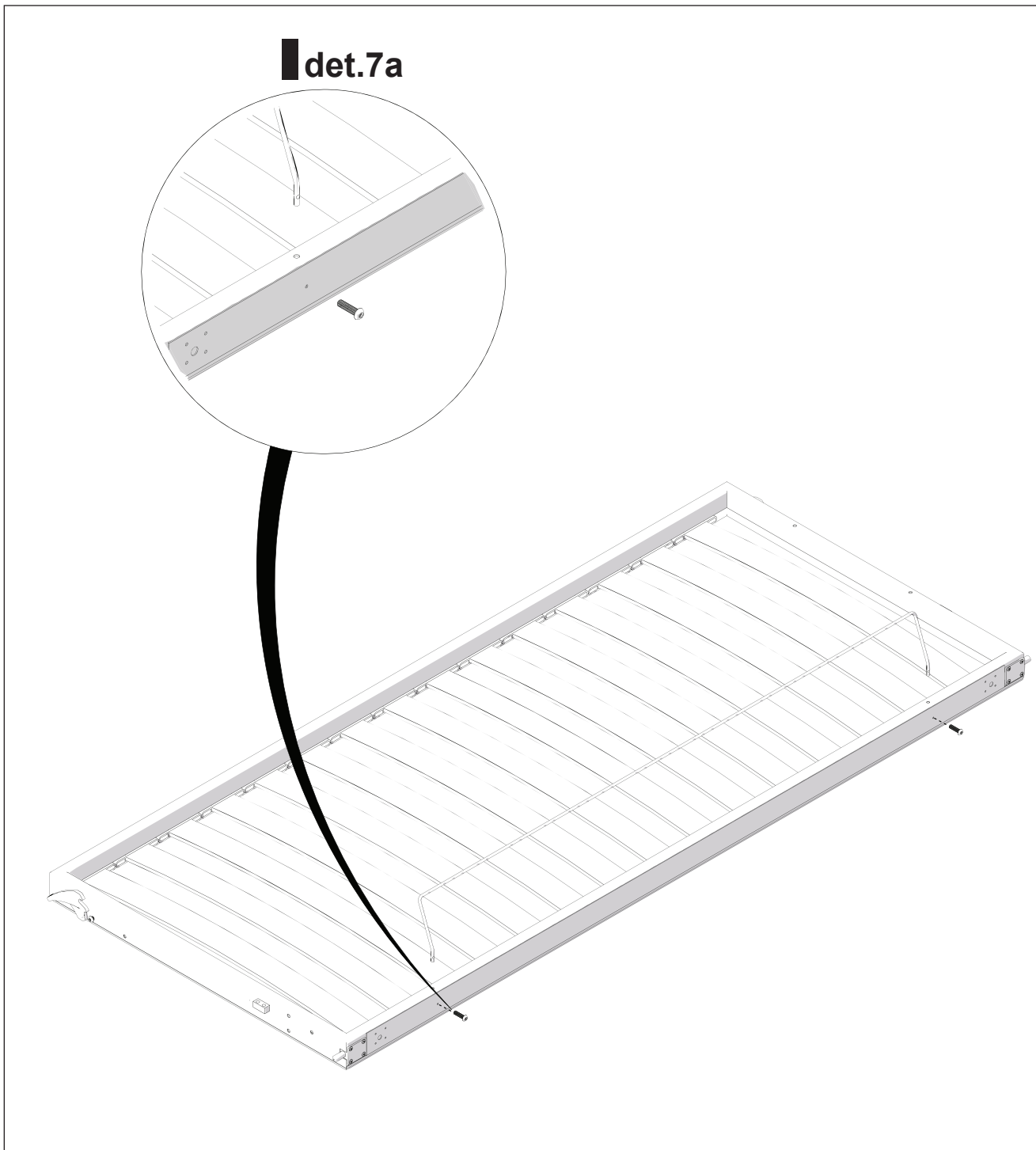


- 8** Adjust the position of the structure, ensuring that it is level and plumb. Secure each bracket to the structure by fastening the screws to the top panel completely, using an additional WA screw.



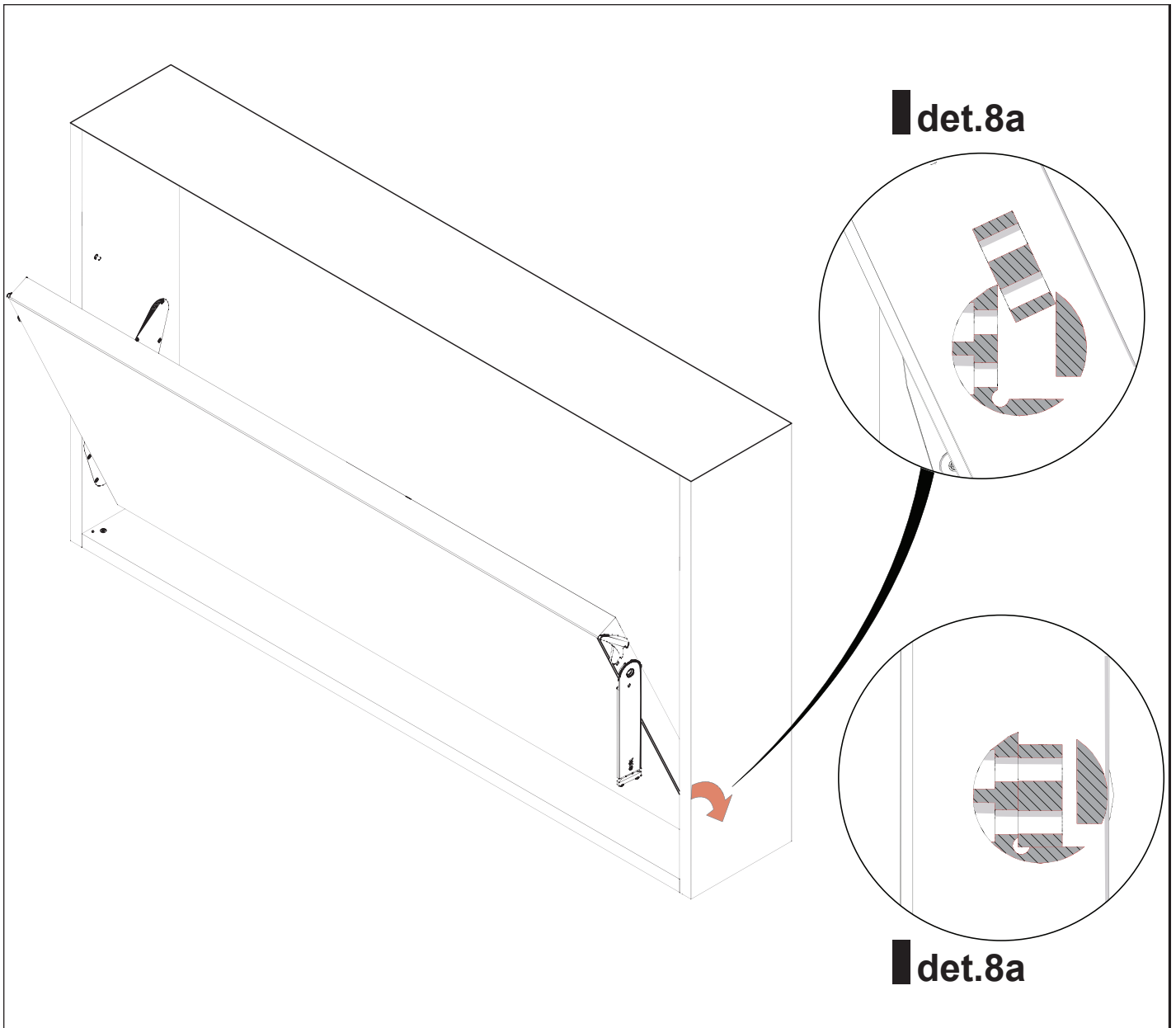
BED BASE INSTALLATION

- 9** Fasten the 8 mattress support bar to the 5 bed frame using the 5MA x 20 screws attached to the bar. Mattress bar must be installed before the bed base is inserted into the structure.



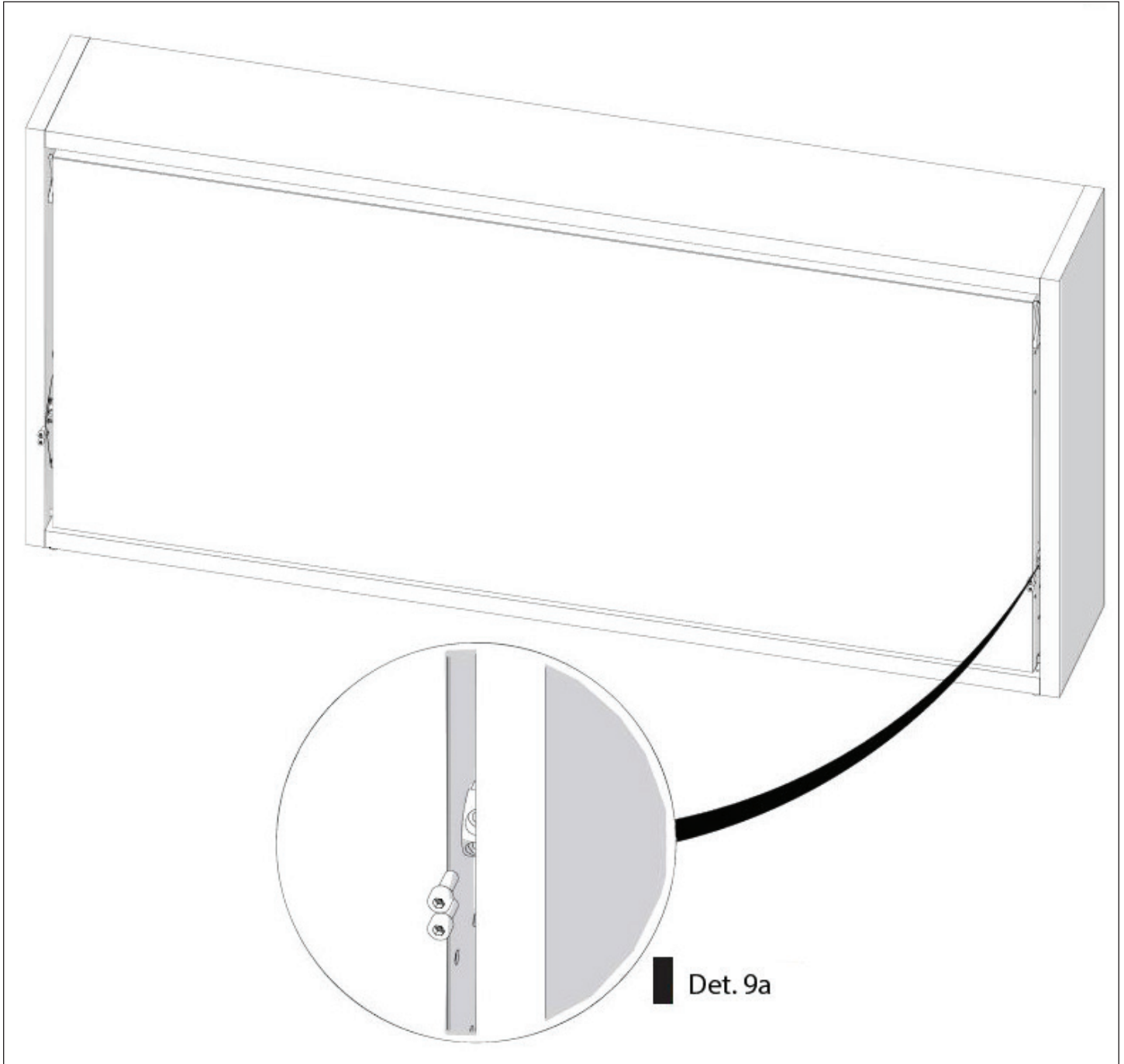
BED BASE INSTALLATION

10 Position and insert the (5) bed frame within the structure as shown in det. 8a.



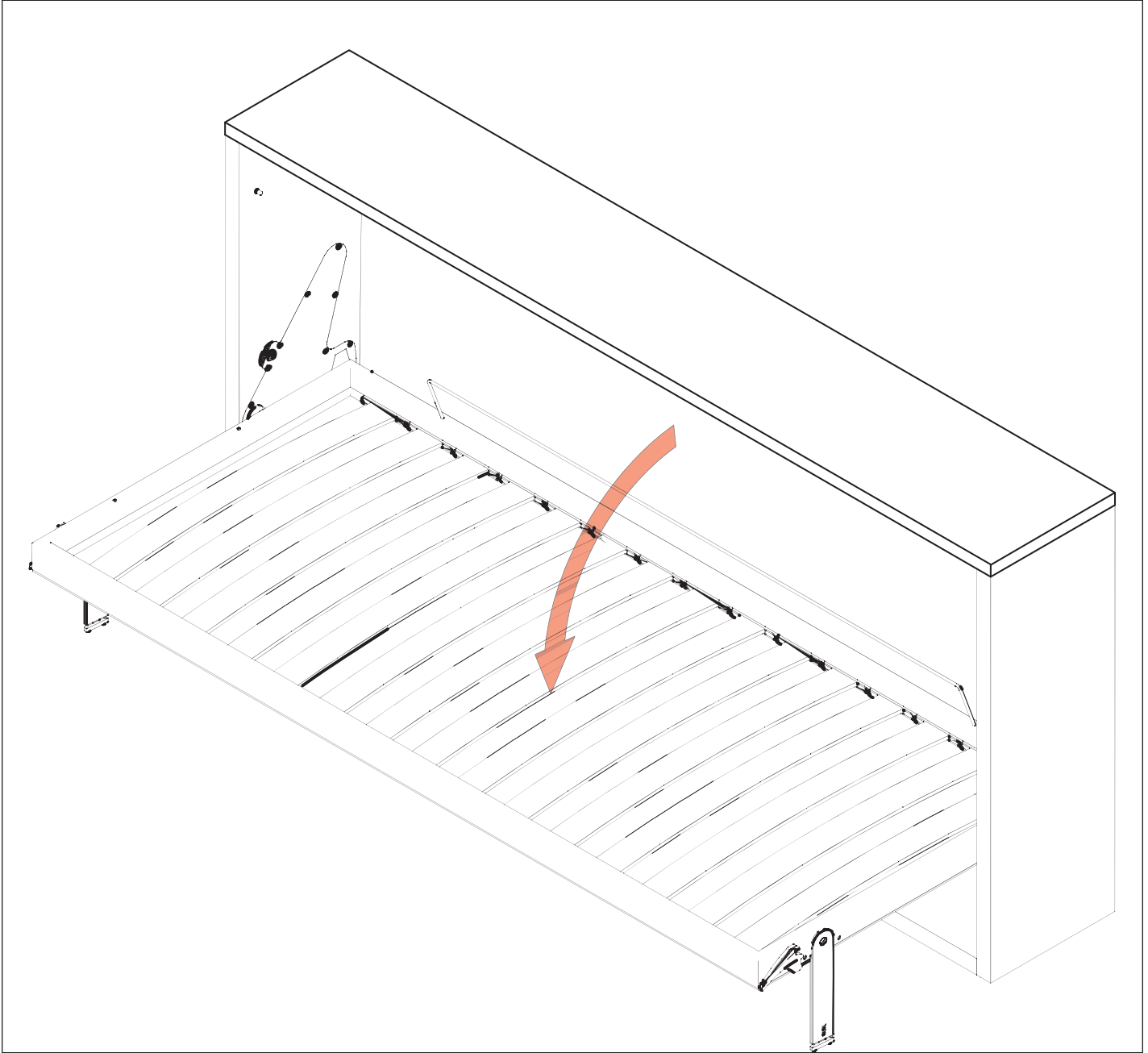
BED BASE INSTALLATION

- 11** Close the lower bed and fasten 2 (D) hex screws into the mechanisms on both vertical panels, as shown in det. 9a.



BED BASE INSTALLATION

- 12 Open the bed by pressing down on one of the two locking levers located on the sides of the bed frame.



HEADBOARD INSTALLATION

13 Fasten the 7 headboard to the frame using the screws included with the headboard.

