

Assembly Instructions

Adam | Adam Tavolo










resource

WARNING

READ CAREFULLY BEFORE BEGINNING INSTALLATION.

IMPROPER INSTALLATION OF THE PRODUCT MAY CAUSE SERIOUS INJURY

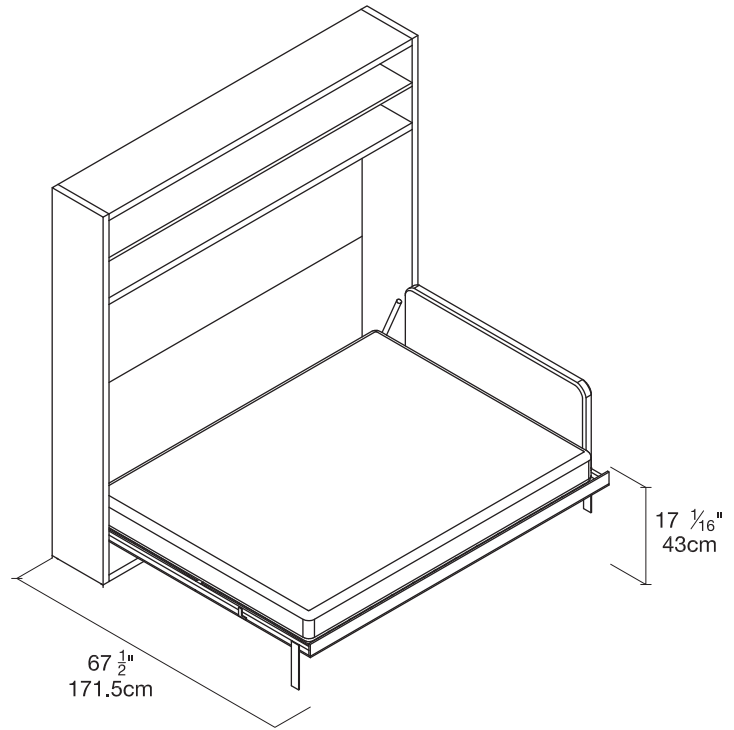
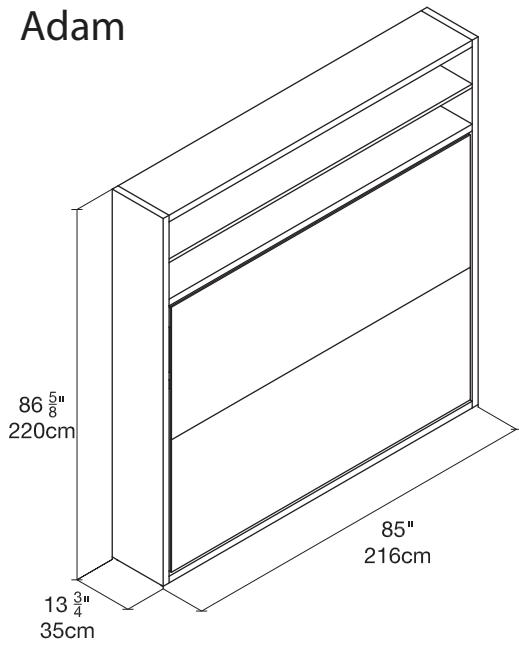
-  Installation must be performed by a licensed contractor or a trained professional, who will ensure proper assembly and installation.
-  Installation must be performed by at least 2 people.
-  Improper installation of this product can cause serious or fatal injury.
-  Improper installation may result in permanent damage to the bed.
-  The wall bed must be secured to the wall in four locations using appropriate hardware. The contractor or installer must select the proper anchoring hardware.
 - The wall anchors included are for solid concrete walls only.
 - Walls with wooden studs: Wood screws must be screwed into wooden studs in the wall.
 - Any other wall composition: A proper wall anchor suitable for the wall's construction must be selected by the contractor or installer.
-  No anchor can be used twice. If the product is removed from the wall, new anchor holes must be drilled and new hardware must be used.
-  All hardware must be properly tightened. No parts of the model should be left loose or unstable.

Warranties for all products purchased from Resource Furniture, LLC are only valid if the product has been properly assembled, installed by a trained professional, and operated in accordance with the assembly instructions.

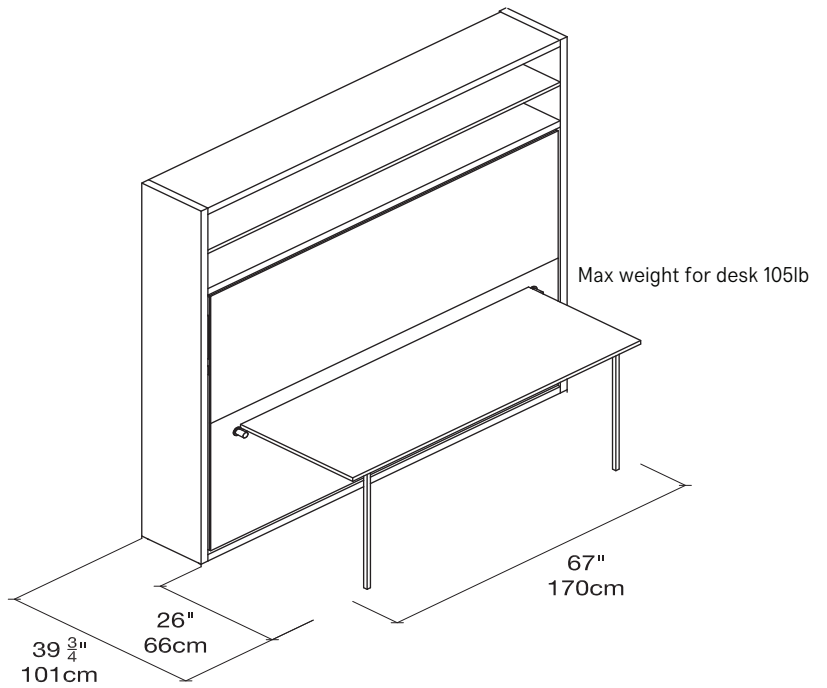
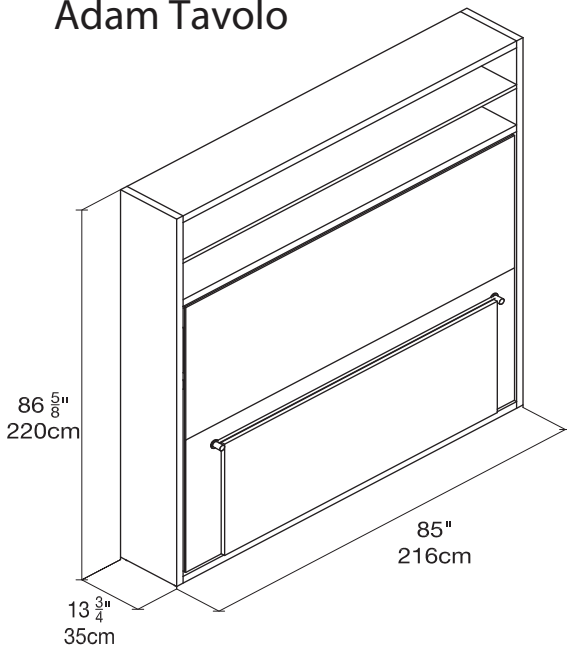
Resource Furniture accepts no responsibility for any damage or injury caused by improper installation.

ADAM | ADAM TAVOLO OVERVIEW

Adam



Adam Tavolo



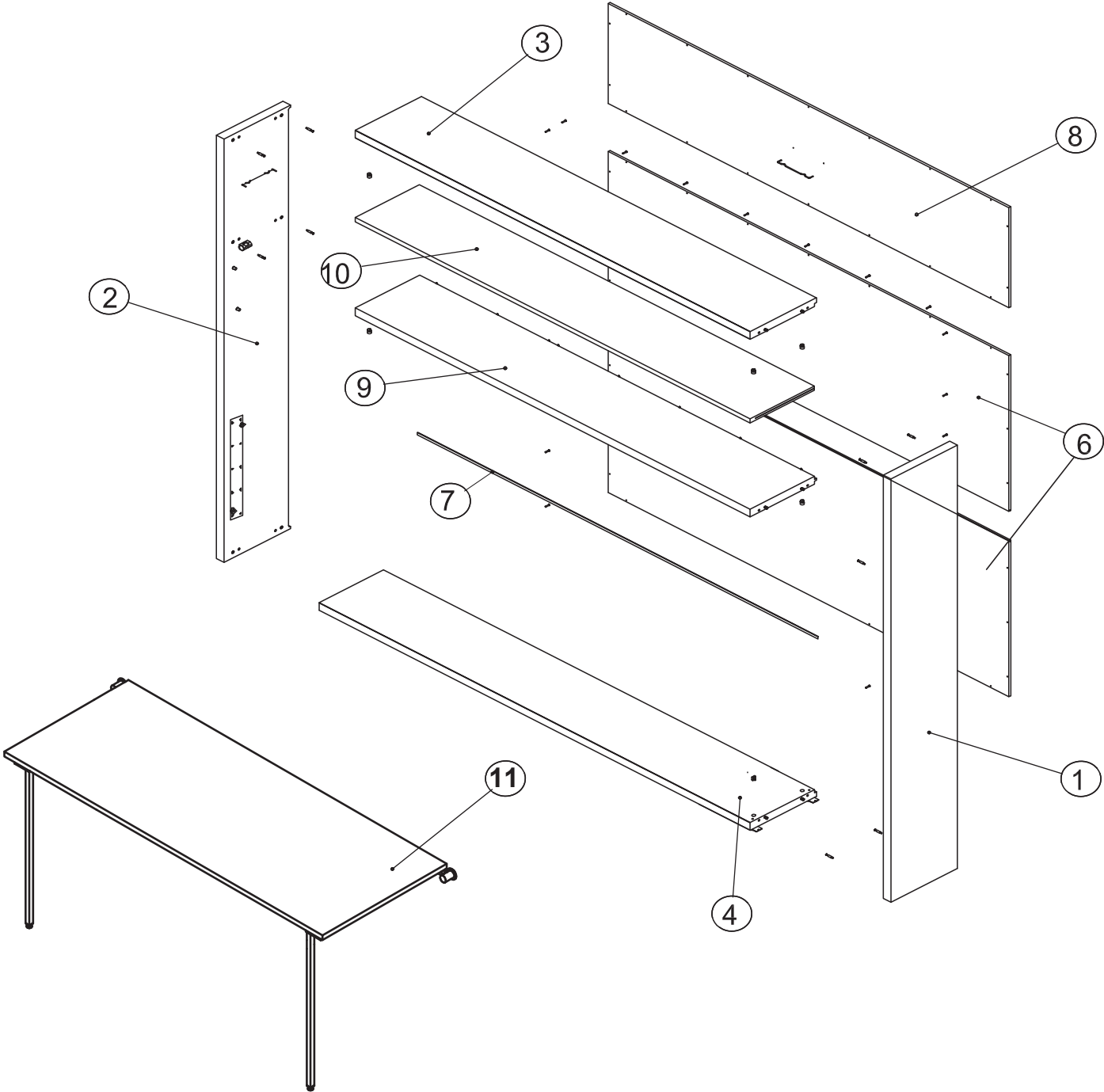
ADAM | ADAM TAVOLO MATTRESS SPECIFICATIONS

Recommended weight: ~ 66 lbs

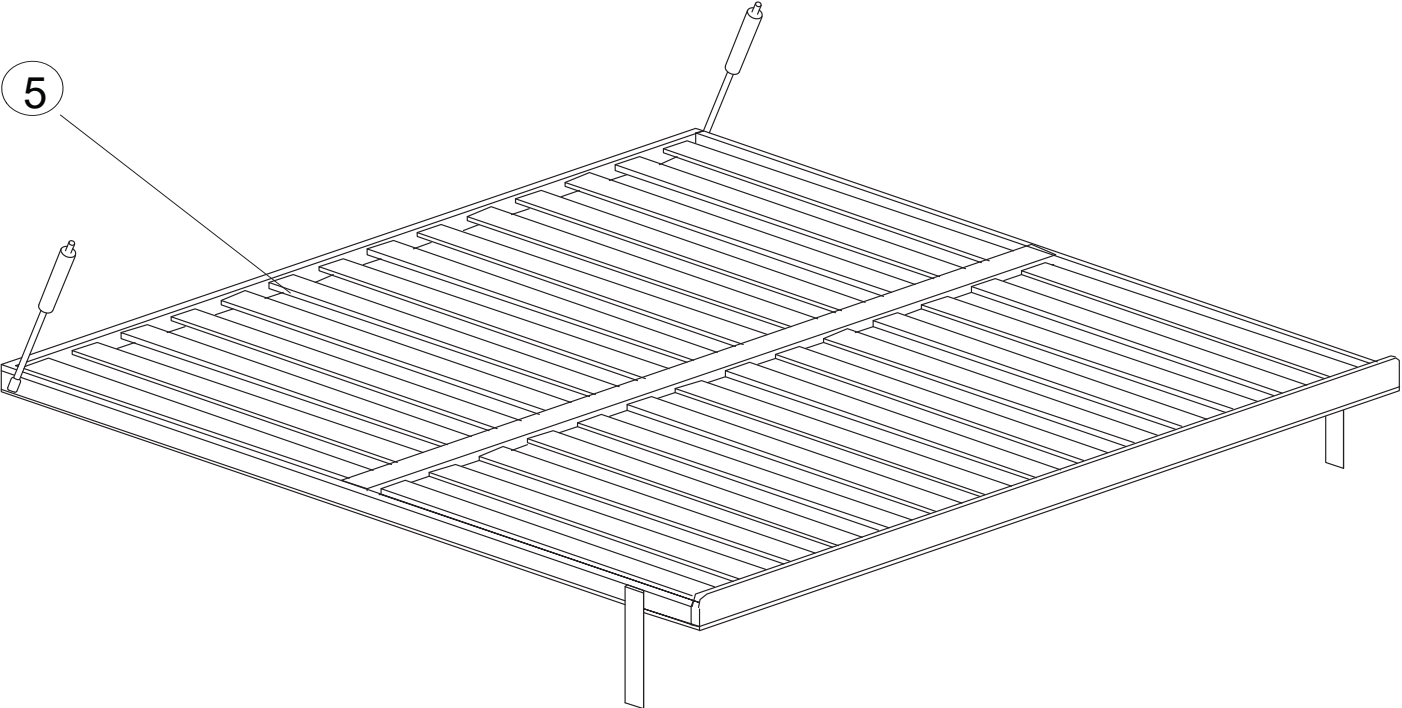
Recommended dimensions: 78 $\frac{3}{4}$ x 59 x 7"

Recommended dimensions with headboard: 75 x 59 x 7"

ADAM | ADAM TAVOLO OVERVIEW



ADAM | ADAM TAVOLO OVERVIEW



Note: Bed base cannot be disassembled




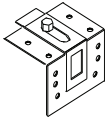

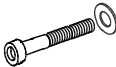
ADAM | ADAM TAVOLO COMPONENTS

CODE	QTY.	COMPONENTS
1	1	Right side panel
2	1	Left side panel
3	1	Top horizontal panel
4	1	Bottom horizontal panel
5	1	Bed base
6	2	Lower back panels
7	1	Spline to join lower back panels
8	1	Top back panels
9	1	Structural shelf
10	1	Shelf

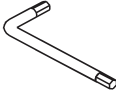
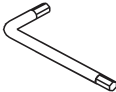
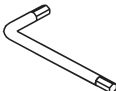
ADAM TAVOLO COMPONENT

CODE	QTY.	COMPONENTS
11	1	Desk + mechanism

ADAM | ADAM TAVOLO STRUCTURAL HARDWARE

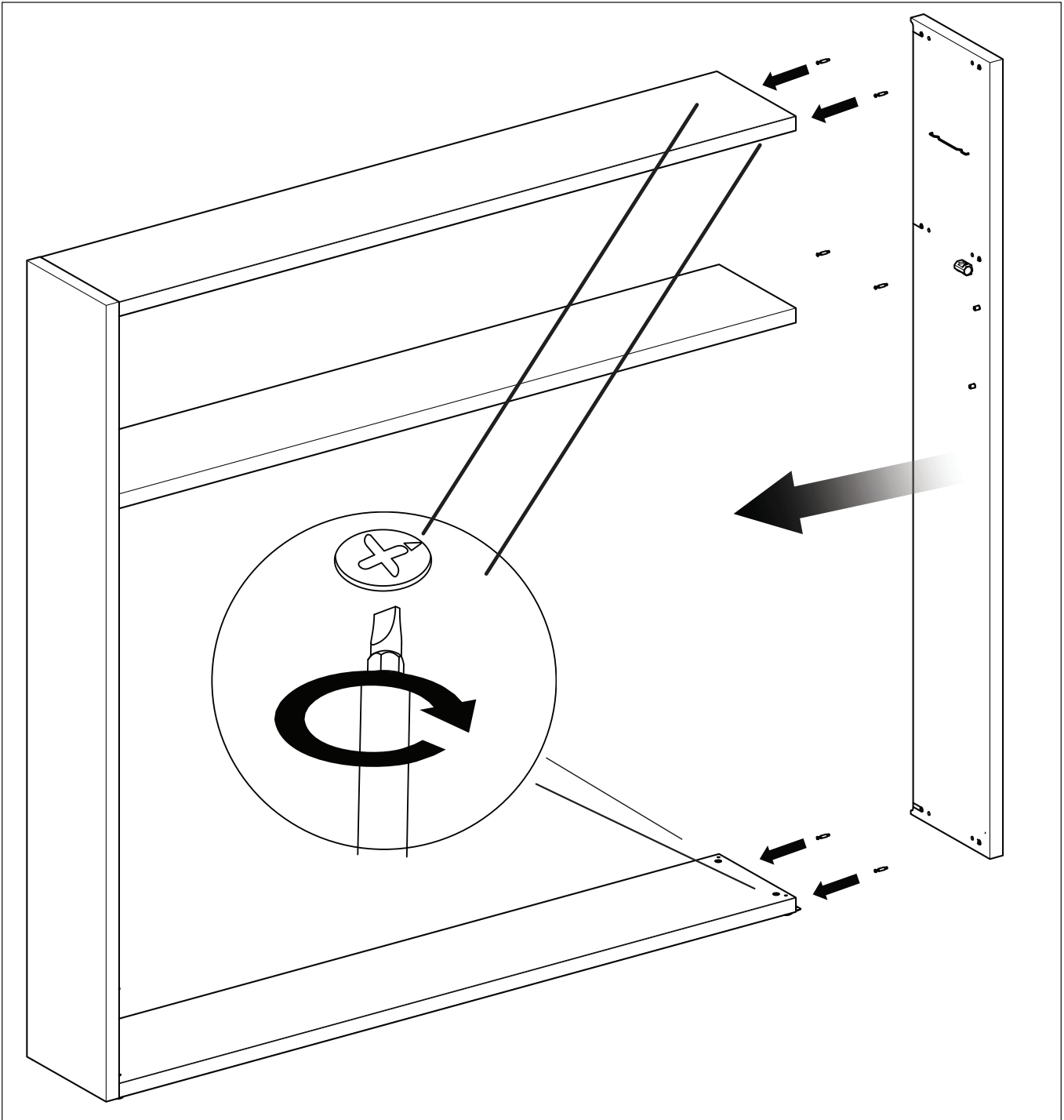
CODE	QTY.	DESCRIPTION	
A	12	Pins	
B	12	Cam connectors	
C	44	Wood screws for attaching back panels to structure	
D	4	wall mounting bracket	
E	3	shelf support	
F	2	Machine bolt and washer to attach bed base to structure	

ADAM | ADAM TAVOLO TOOLS

QTY.	DESCRIPTION	
1	Allen wrench 3 MM	
1	Allen wrench 5 MM	
1	Allen wrench 6 MM	

STRUCTURE ASSEMBLY

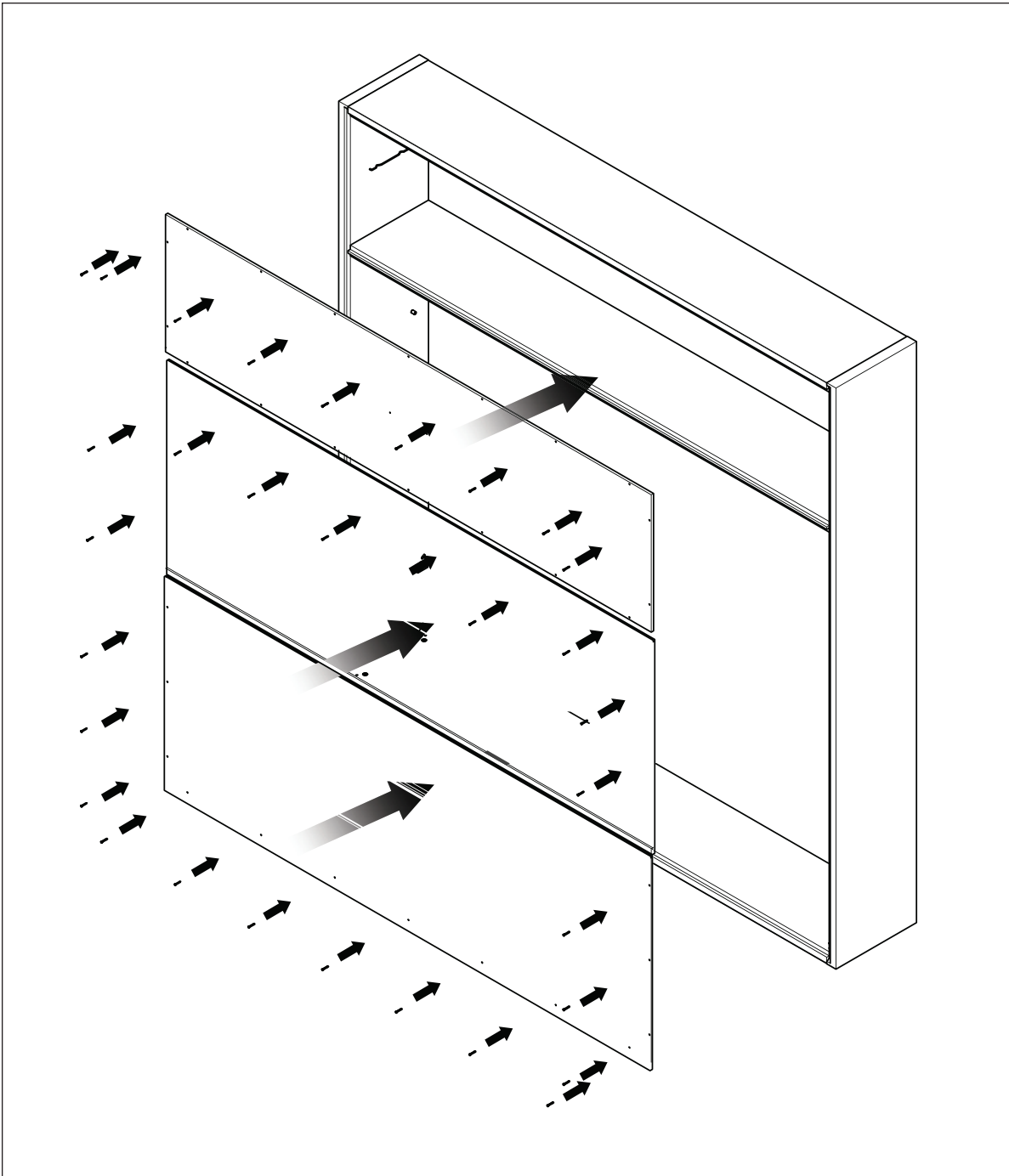
- 1** Screw 6 (A) pins into both the (1) right vertical and (2) left vertical panels. Attach the (4) horizontal bottom panel; (3) horizontal top panel (9) structural shelf to the vertical panels by inserting and tightening 12 (B) cams.



STRUCTURE ASSEMBLY

2

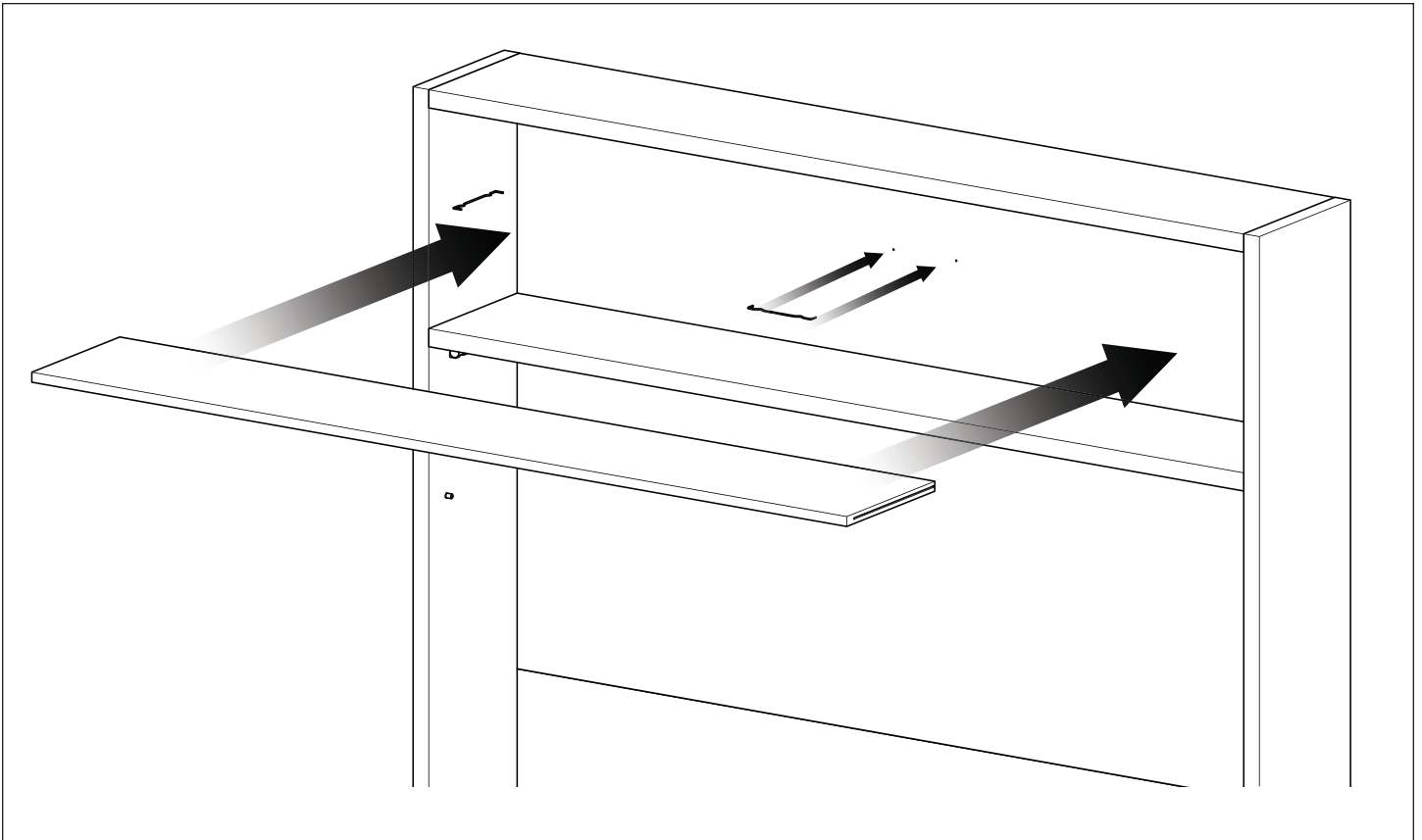
Attach the (6) lower back panels to the structure using (C) wood screws. Insert (7) back panel spline into lower back panel. Then place the (6) upper back panel on top of the spline, fastening it to the structure using (C) wood screws. Attach the (8) top back panel to the structure using (C) wood screws.



STRUCTURE ASSEMBLY

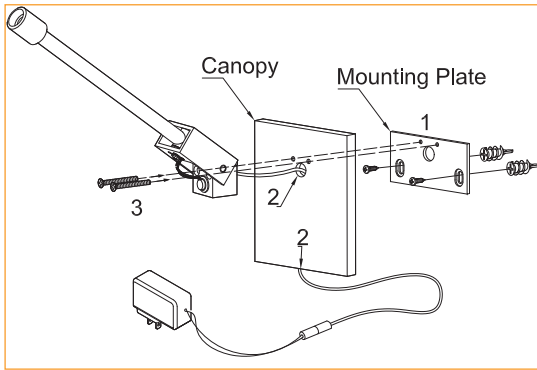
3

Insert the (10) shelf using the (E) shelf support.

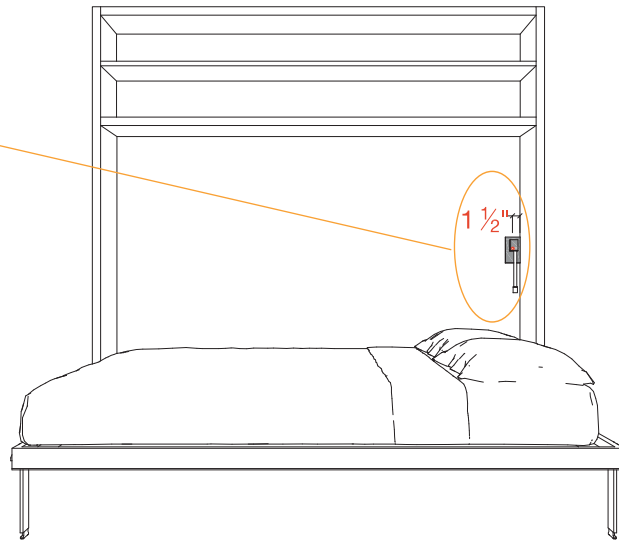


OPTIONAL WAND LIGHTING

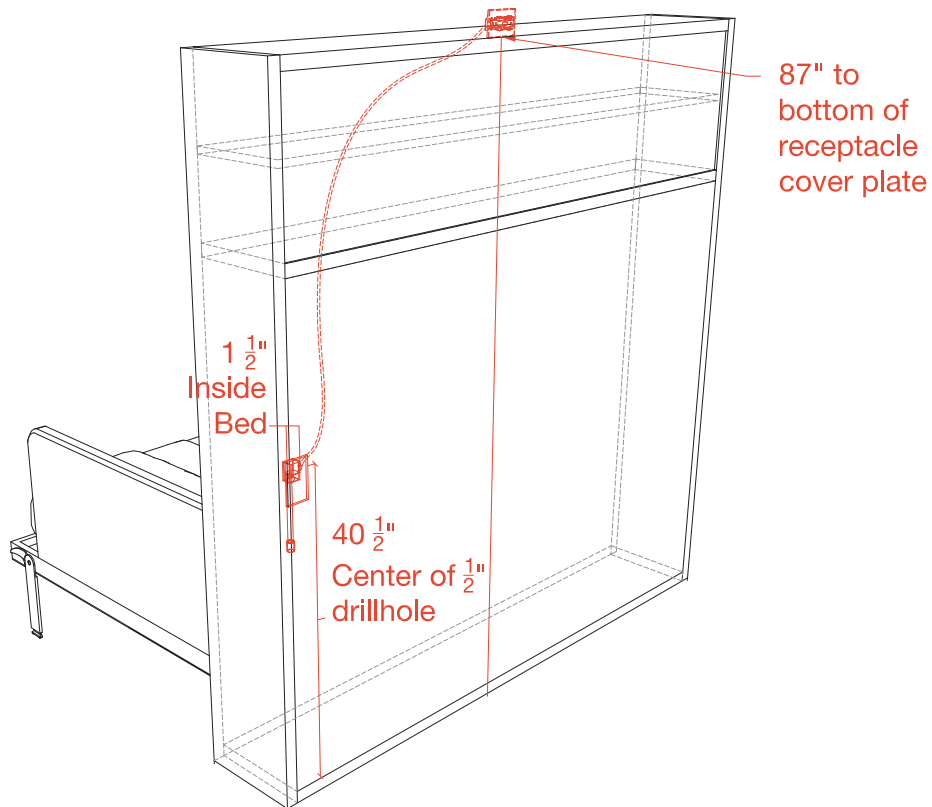
- 4** Drill $1/2''$ hole at $40\ 1/2''$ measured from the bottom of the structure (from inside) and $1\ 1/2''$ in from the side. Install mounting Plate with provided wood screws, aligning the $1/2''$ drill holes.



Wand Light Exploded Diagram
Cord Length = 118"



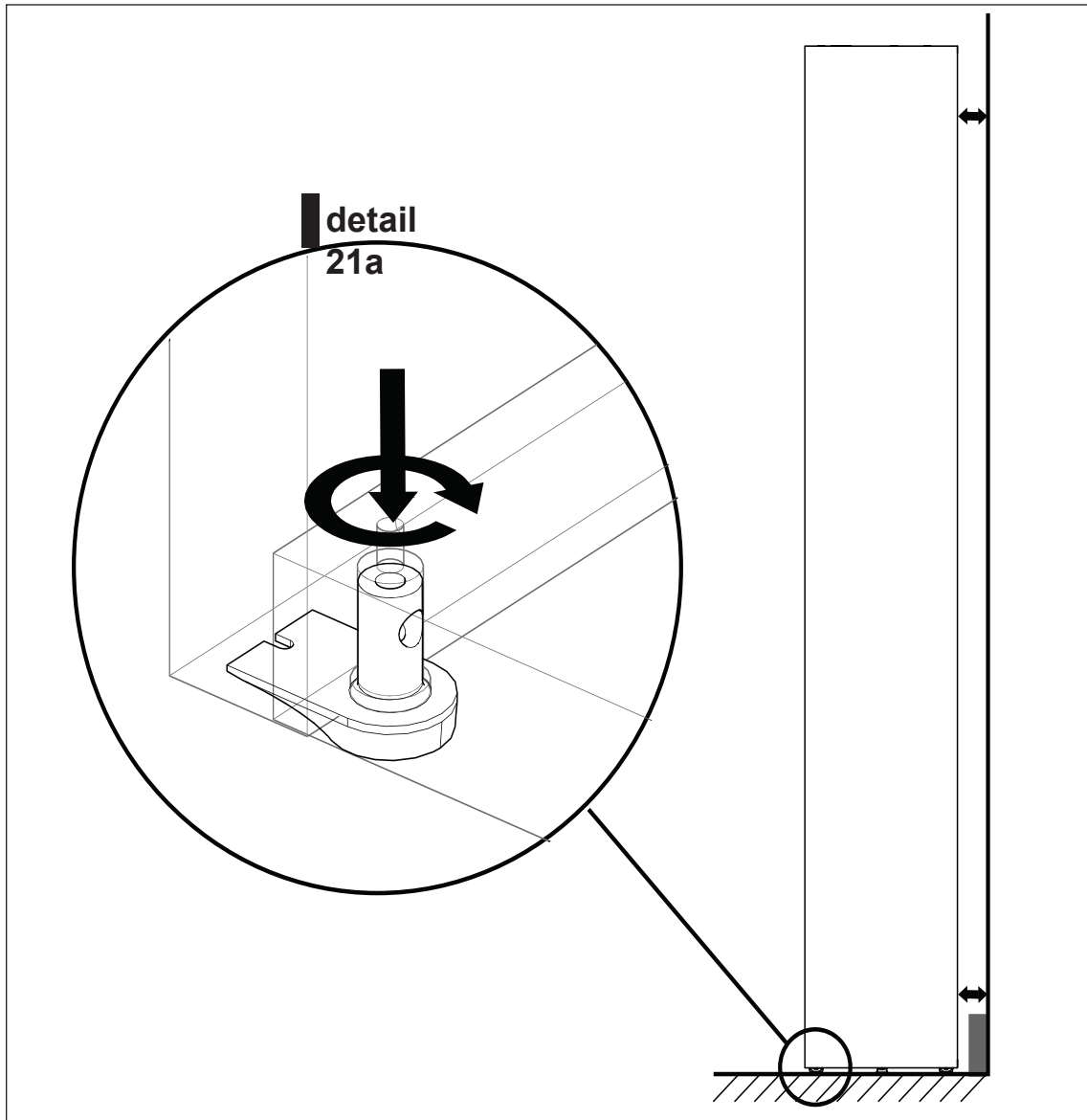
Front



Back

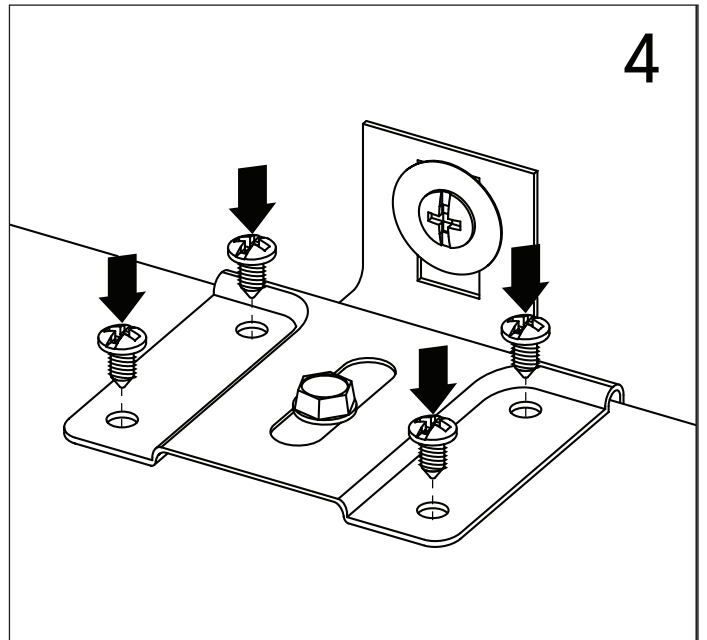
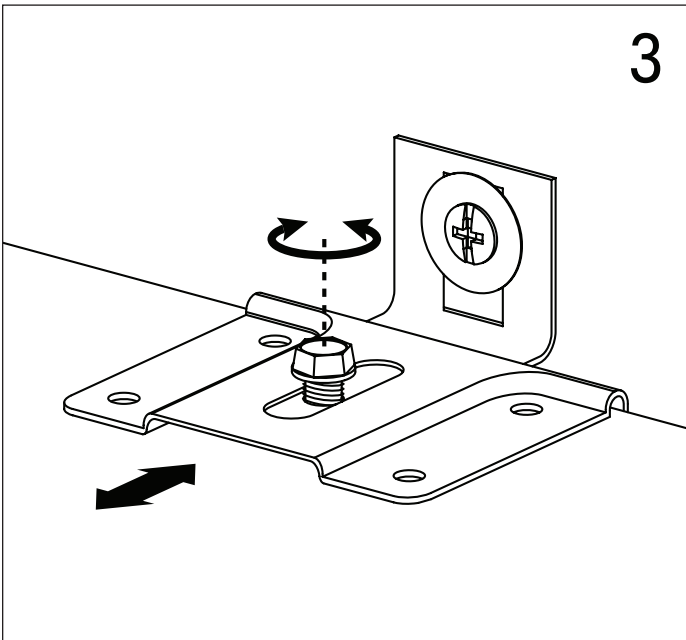
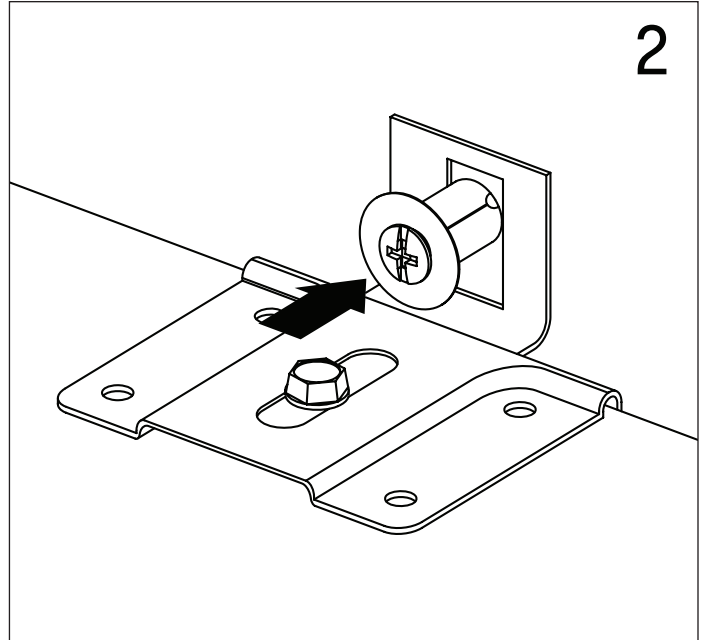
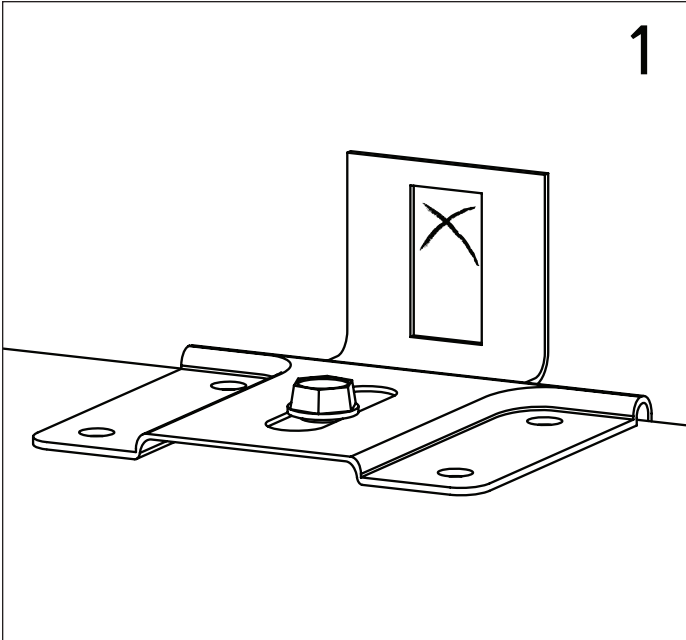
LEVELING THE STRUCTURE

- 5 Ensure that the structure is level and plumb. To compensate for any floor unevenness, use the adjustable feet on the bottom panel (det. 21a) to level the structure.



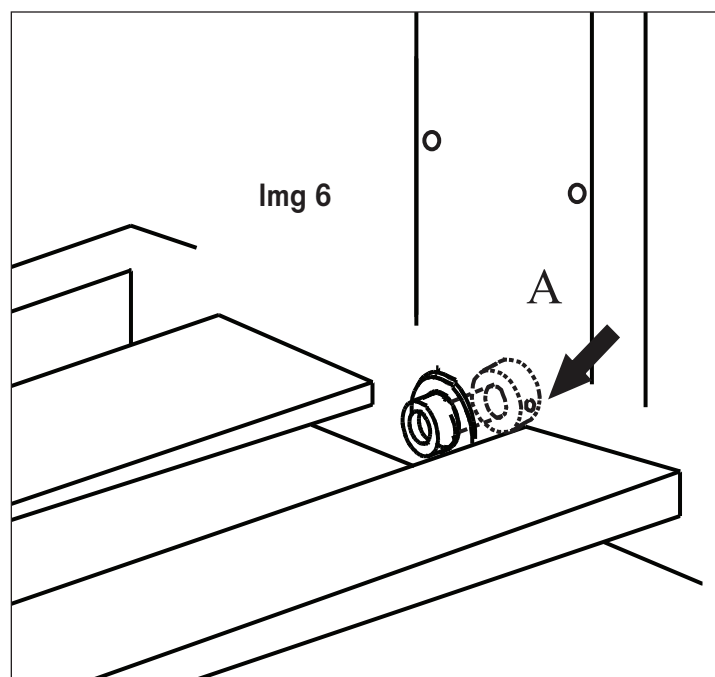
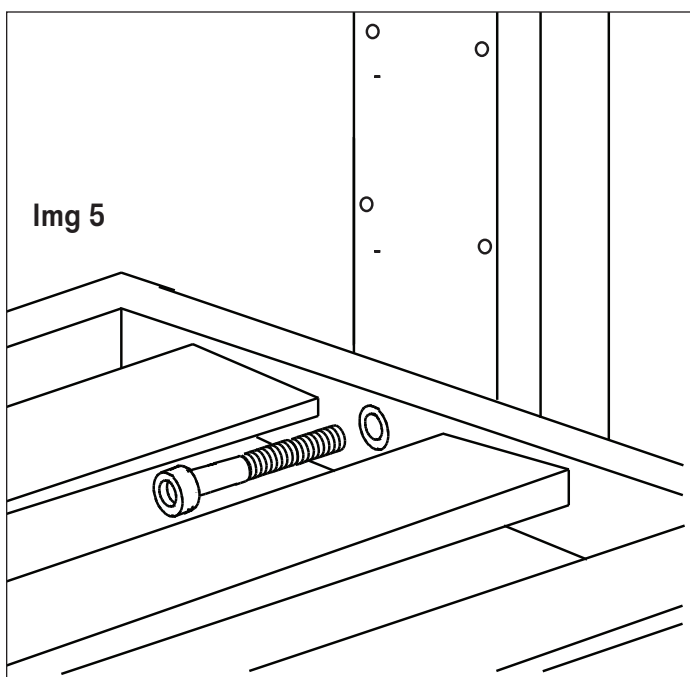
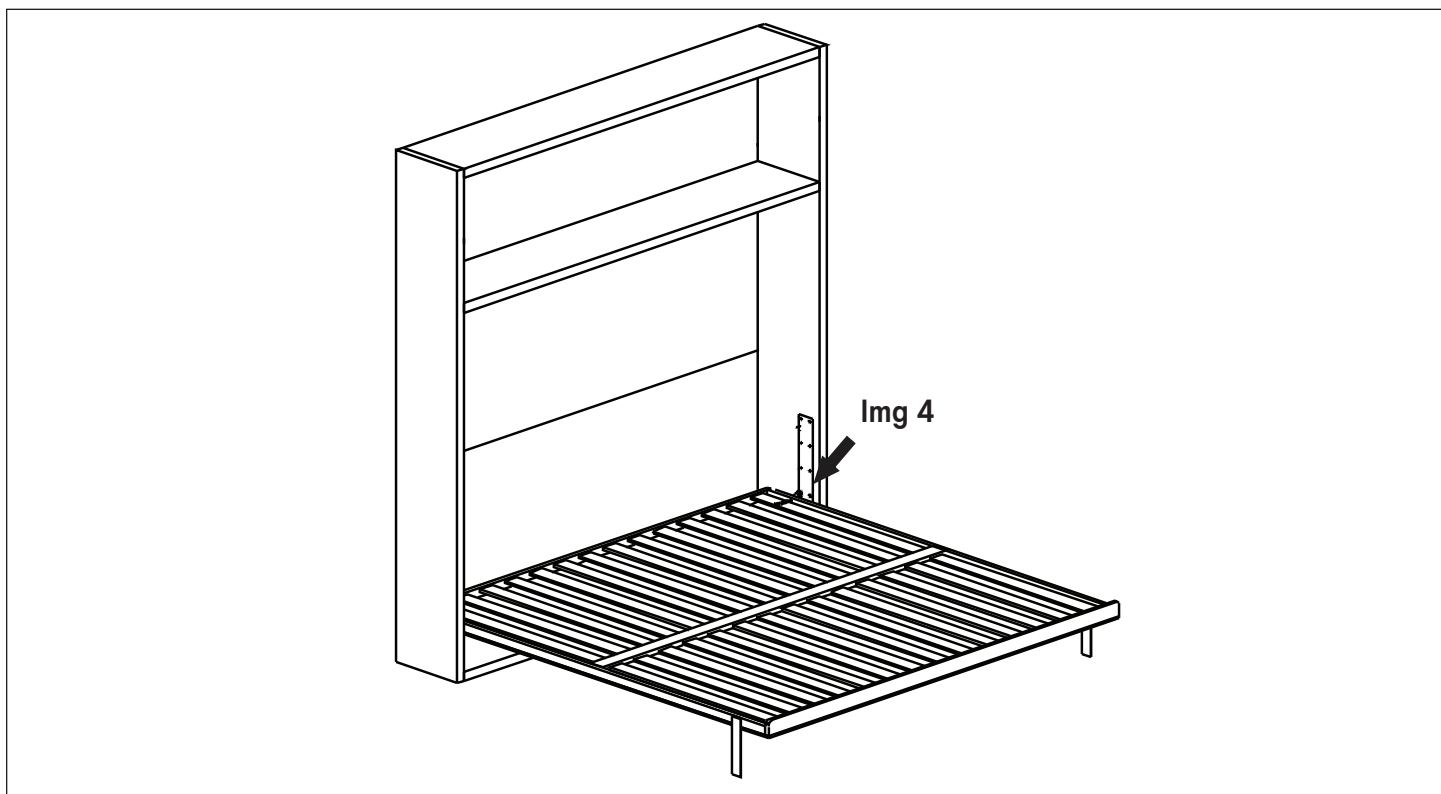
WALL BED ATTACHMENT

- 6** After the unit is level and plumb it must be securely attached to the wall using the metal angle mounting brackets as shown in the images below. A proper wall anchor suitable for the wall's construction must be selected by the contractor or installer.



BED BASE INSTALLATION

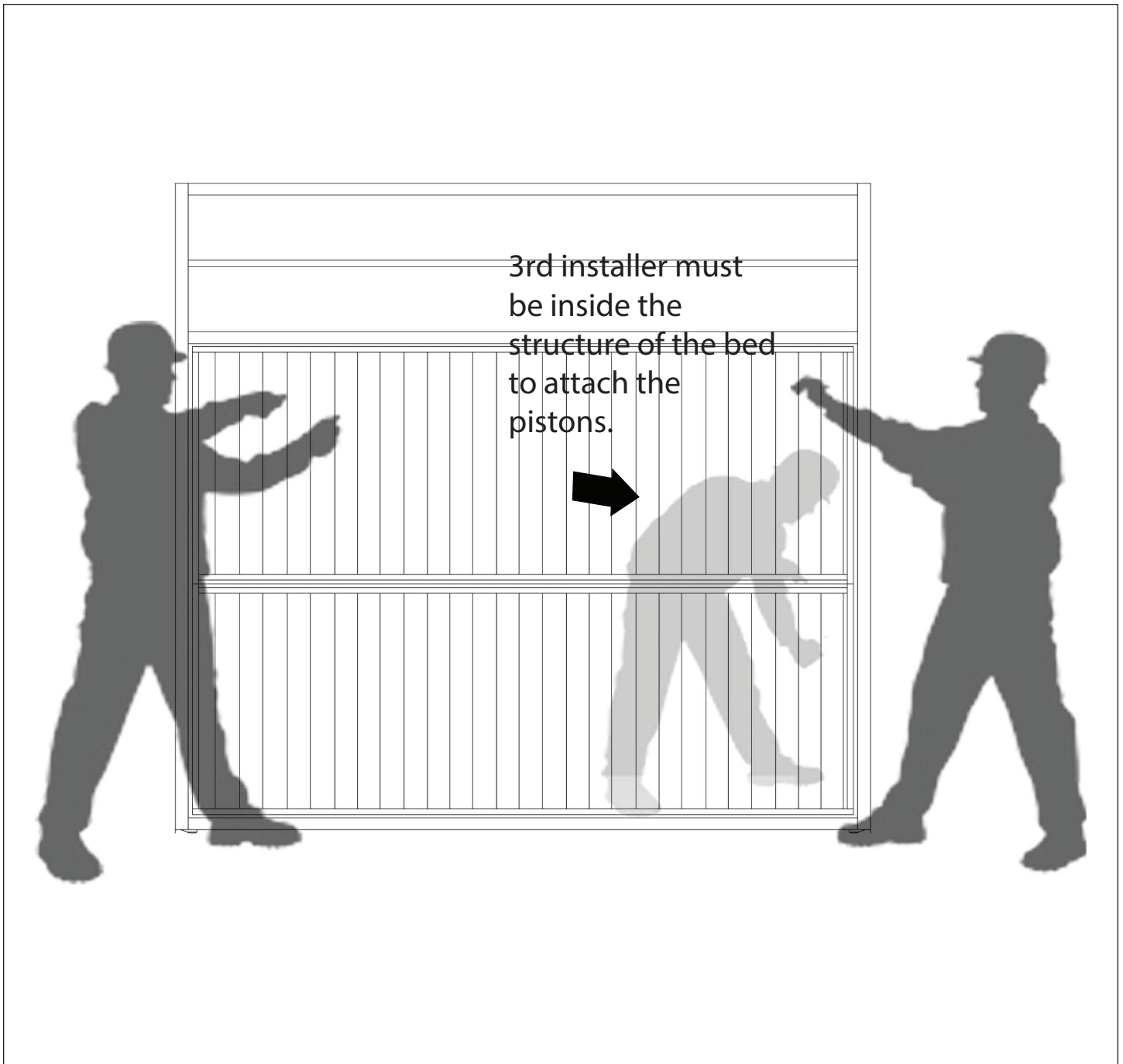
- 7 Hold the bed base (5) in the horizontal position (Image 4) ,lining up the holes in the side panels with the holes in the bed base (Image 5) Insert and fasten machine bolt (F) on the left and right side of the bed base. (Do not fasten the machine bolt (F) too tight to allow the bed base to rotate) Once the bed base is secured, tighten the inset screw (A) located on the round shaped fitting on both sides (Image 6).



PISTONS INSTALLATION

8

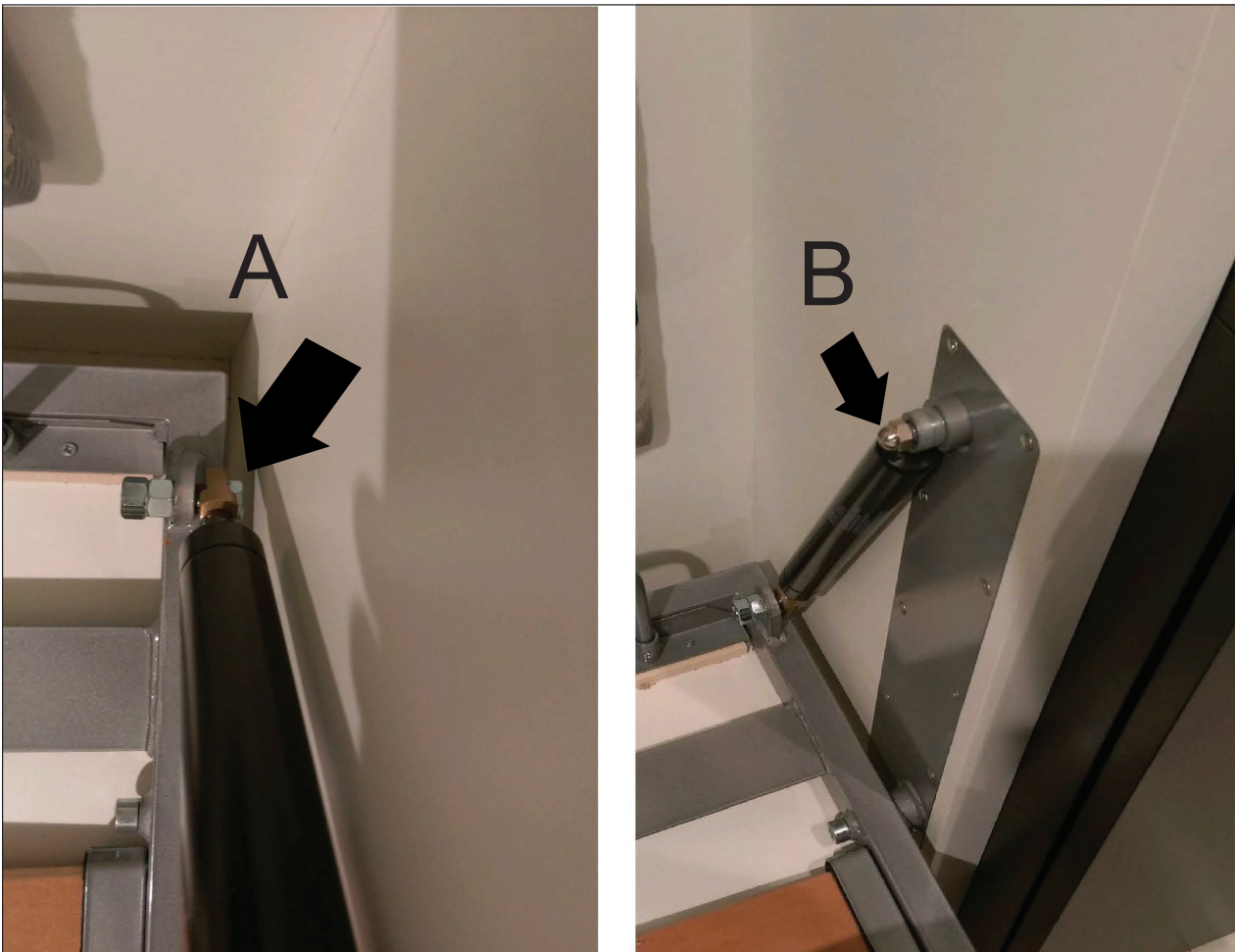
Connecting the pistons requires a minimum of 2 installers.




PISTONS INSTALLATION

9

The pistons can only be installed after the structure has been anchored to the wall and the bed base is securely attached to the structure. (as shown in image 4,5,6). Remove the pistons from the sides of the bed by loosening the “acorn” nut. Fit the fork shaped connection of each piston over the bolts located on the bed base (A). One installer must get inside the structure while two other installers lift the bed base into the closed position. With the bed base in the closed position the top ends of the pistons will align with the connections located on the metal plates on the vertical side panels. The “acorn” nut must be fastened to the bolt on the vertical sides (B). After the pistons have been installed, the additional two installers can carefully open the bed to let the installer out. Never try to force the pistons closed by hand or any other means.

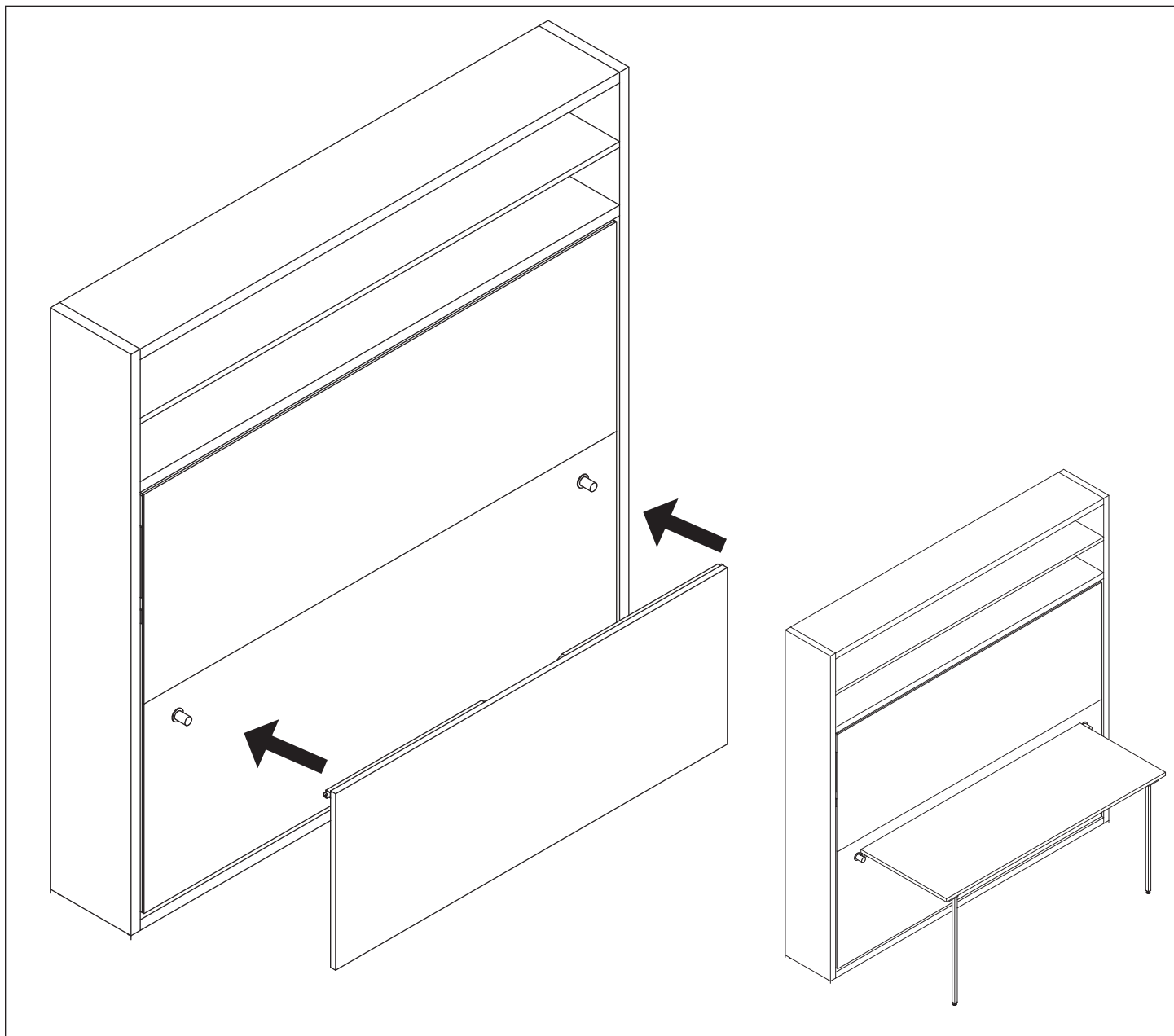


 Once the pistons are connected slowly open the bed base.

 The legs of the bed base will lift off the floor until the weight of the mattress has been added.

DESK INSTALLATION

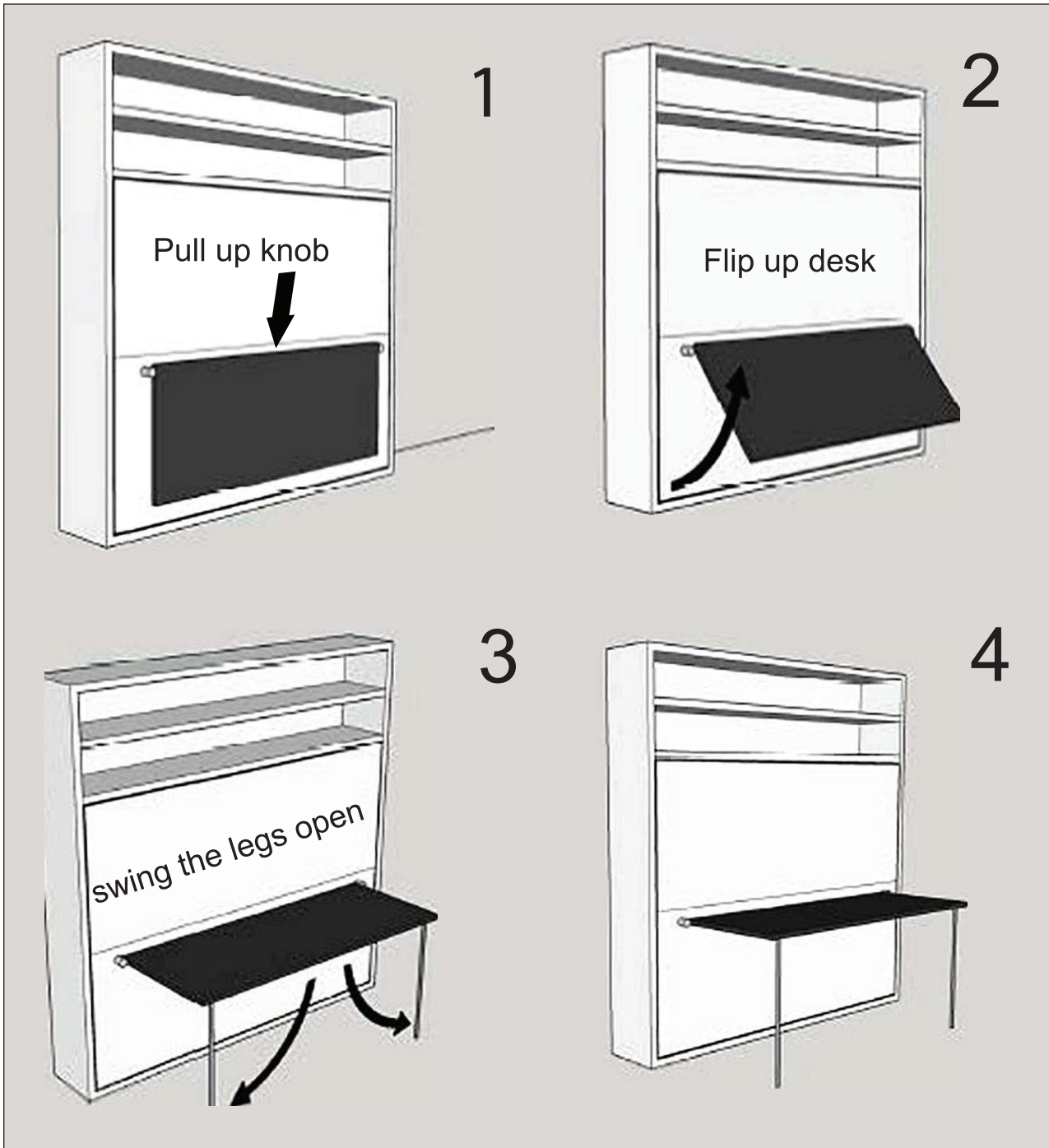
- 10** Position the desk (11) between the two support brackets that are already attached to the bed base, and slide the pins into the two holes on the support brackets. It is recommended to lower the legs of the desk while attaching the desk. The front of the desk connects to the bed base when closed by latching onto a pre installed bracket.



! When operating the desk make sure to only lower the desk as this can damage the desk and front panel of the bed.

DESK OPERATION

- 11 If the desk is not level, adjust the feet at the bottom of the legs. Do not lift the desk past the open (horizontal) position as this will damage the desk and front panels. Adjust the tension on the locking mechanism by loosening or tightening the nut located below the knob.

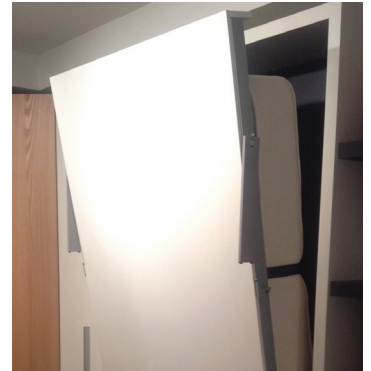


SAFELY OPERATING YOUR ADAM | ADAM TAVOLO BED

OPENING YOUR ADAM | ADAM TAVOLO WALL BED

1

Release Latches are located on both sides in the space between the outer structure and the front panel. Reach in with your index finger and release either one of the latches, pulling forward slightly on the release latch. For your safety, the bed frame will automatically stop after opening a few inches.



2

Grasp one of the legs or the edge of the steel frame of the bed to pull down.

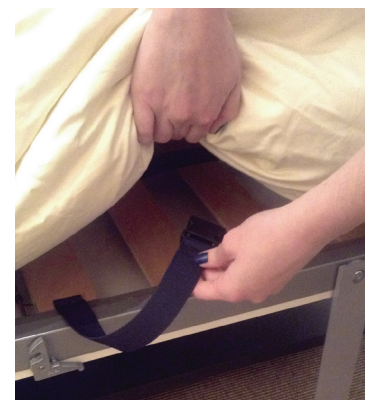


Make sure to support the bed frame for the entire descent until both bed legs are firmly resting on the floor.



3

Release the two mattress straps by squeezing the center of the clasp. Tuck the straps under the mattress



4

See you in the morning!

SAFELY OPERATING YOUR ADAM | ADAM TAVOLO BED

OPENING YOUR ADAM | ADAM TAVOLO WALL BED

1

Remove bed pillows and tuck bedding in on all sides around and under the mattress. Latch both mattress straps over the bedding.



2

Stand toward one of the sides of the bed and grasp the underside of the steel bed frame to lift.



Do not grasp or attempt to lift the table!
Lift only the bed frame!

Continue to lift bed frame as you walk forward toward wall. The table will rise as the bed frame closes. Push bed frame into structure until you hear the latches "click."



3

Have a great day!

Just one more thing – you can stand on principle, but never stand on the table!



NOTE: Your Adam | Adam Tavolo is designed so that most bedding can remain on the bed when closed. If you experience difficulty closing the bed, your bedding might be too thick.

