

READ AND SAVE THESE INSTRUCTIONS

EVERDURE



OPERATION, MAINTENANCE
AND SAFETY INSTRUCTIONS

EP125

TABLE OF CONTENTS

Important Safety Instructions 1

Product Overview 2

GENERAL SPECIFICATION 2.1

DETAILED SPECIFICATION 2.2

Parts & Assembly 3-4

CARTON CONTENTS 3.1

ASSEMBLY INSTRUCTIONS 3.2 - 4.1

Useful Information 5-9

CLEANING 5.1

OSCILLATION 5.2

REMOTE STORAGE 5.3

Important Safety Instructions

IMPORTANT

Read the safety precautions of this booklet carefully before attempting to assemble, install, operate or maintain the product described. Protect yourself and others by observing all safety information. Failure to comply with instructions could result in personal injury and/or property damage. If you are unsure about anything regarding your fan or these instructions, please contact Everdure by email at sales@shrirousa.com before operating your appliance.

1. Read all instructions carefully before using the pedestal fan.
2. Use this pedestal fan only as described in this manual. Any other use not recommended by the manufacturer may cause fire, electrical shock, or injury to persons. Do not modify this appliance. Do not try to repair this appliance – there are no user serviceable parts within.
3. Remove the packaging and ensure that the appliance is undamaged (keep packing box for later storage). In case of doubt do not use the appliance and contact Everdure Service. Do not let children play with any parts of the packaging.
4. Before you use the appliance, check if the voltage marked on the rating label corresponds to the mains in your home.
5. Do not use this appliance with a programmer, timer or any other device that switches the appliance on automatically, since a fire risk exists if the appliance is covered or positioned incorrectly.
6. Do not pull the power cord to disconnect with the power source. Always grasp the plug to pull it out.
7. Do not run power cords under rugs, curtains or other combustible materials. Do not place power cords in areas where they can be a tripping hazard. Do not operate directly below a power outlet.
8. Do not insert any objects into the appliance as it may cause an electric shock or fire or damage to the appliance. Do not block or tamper with the appliance in any manner while it is in operation. To prevent a possible fire, do not cover the appliance in any manner. Do not place on soft surfaces, like a bed, where openings may become blocked.
9. Do not leave the appliance unattended. Always unplug the appliance when not in use. Take care that it is not obstructed when oscillating.
10. The appliance is only to be used with the power supply unit provided with the appliance.
11. This appliance can be used by children aged from 8 years and above and persons with reduced physical, sensory or mental capabilities or lack of experience and knowledge if they have been given supervision or instruction concerning use of the appliance in a safe way and understand the hazards involved. Children shall not play with the appliance. Cleaning and user maintenance shall not be made by children without supervision.



WARNING:

The Function Switch should not be used as the sole means of disconnecting power. Always unplug the power cord before servicing or moving the appliance.

1. Keep materials such as hair, net curtains, tablecloths & clothes away from the openings of the pedestal fan, as material may be sucked into the appliance causing injury or damage to property or the appliance.
2. The appliance has hot and arcing or sparking parts inside. It must NOT be used in potentially dangerous locations such as flammable, explosive, chemical-laden, corrosive, salty or wet atmospheres. This appliance is intended for general domestic use ONLY.
3. This appliance is not intended for use in a bathroom. Never locate it where it may fall into a bathtub or other water container.
4. Always place the appliance on flat, stable surfaces before use. Always place the appliance vertically on its base.
5. Use only on GFCI protected socket while operating outdoors

NOTE: Over time, the grills at the front and rear of the appliance will build up dust & dirt. This should be cleaned regularly to maintain optimum efficiency. Follow the cleaning procedure within this instruction



WARNING:

To avoid danger of electric shock, unplug from outlet when not in use and before cleaning. If the supply cord is damaged, it must be replaced by the manufacturer, its Service Agent or similarly qualified persons in order to avoid a hazard. In order to avoid overheating, do not cover the appliance. Do not use the appliance in the immediate surrounding of a bath, shower or swimming pool



WARNING:

To reduce the risk of fire or electric shock, do not use this fan with any solid-state speed control device.

1.1 Remote Warning

WARNING: The remote control is powered by a Lithium Button Cell Battery.

- WARNING - KEEP BATTERIES OUT OF REACH OF CHILDREN
- Swallowing may lead to serious or fatal injury in as little as 2 hours, due to chemical burns and potential perforation of the oesophagus.
- Never allow children to replace button batteries of any device.
- If you suspect your child has swallowed or inserted a button battery seek immediate medical Attention.
 - If you are in the US immediately call the National Poison control centre at 1-800-222-1222 or 202-625-3333.
 - In Canada call 416-813-5900.
- Regularly examine devices and make sure the battery compartment is correctly secured, e.g. that the screw or other mechanical fastener is tightened. Do not use if compartment is not secure.
- Dispose of used button batteries immediately and safely out of the reach of children. A battery can still be dangerous even when it can no longer operate the device.
- Tell others about the risk associated with button batteries and how to keep their children safe.

NOTE:

- The National Poison Control centre is the correct first response in the US and Canada and should be used instead of advice to seek immediate medical attention. Personnel working at the 24 hours Poisons Information Centre have been trained to provide effective advice respecting battery ingestions and to facilitate appropriate and rapid medical care. Local hospitals, particularly in rural areas, may not have the necessary facilities to deal with ingestions effectively.

2.1 GENERAL SPECIFICATION

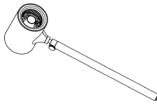

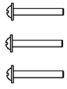




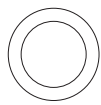
MODEL:	EP125B - Blue
	EP125BLK - Black
	EP125M - Mint
	EP125W - White
Rated Voltage:	24VDC
Rate Power Input:	30w
Product Dimensions - Base (mm):	1255h x 700w x 700d
Product Dimensions - Head (mm):	1255h x 325w x 215d
Weight:	5kg

2.2 DETAILED SPECIFICATION

Setting Position (Speed)	5-6 High Range	3-4 Mid Range	1-2 Low Range
dB(A)	71.1	64.7	61.1
Meters per second	5.8	4.5	3.9
Max fan flow rate	16.83	13.01	11.39
Tested according to clause 9 of IEC60879:1986 (corr.1992) at client specified setting positions			

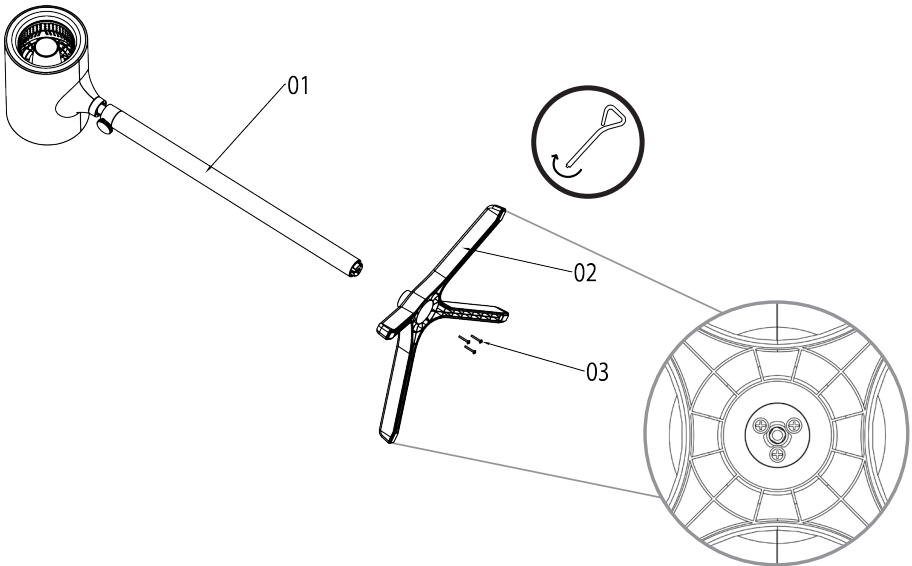


3.1 CARTON CONTENTS

1) Fan Assembly x 1pc 	2) Base x 1pc 	3) Screw M4*30 x 3pcs 	4) AC/DC Adapter x 1pc 
5) Remote Control x 2pc 	6) Remote Control Bracket x 1pc 	7) Screw Driver x 1pc 	8) CR2032 Battery 

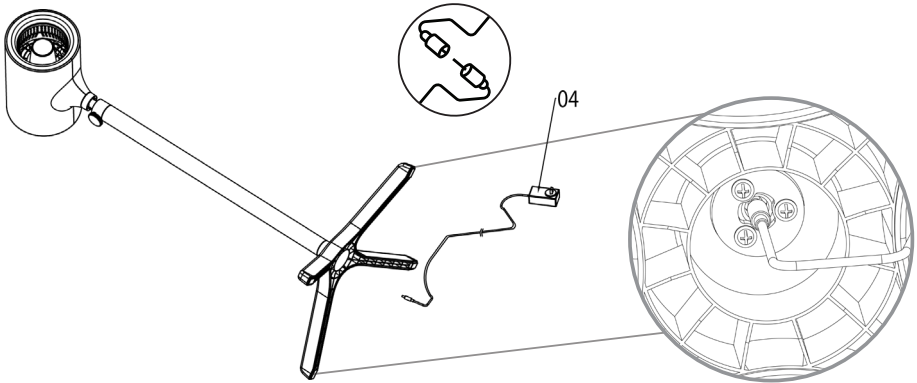
3.2 ASSEMBLY INSTRUCTIONS

STEP 1: ATTACH BASE TO STAND



4.1 ASSEMBLY INSTRUCTIONS CONT.

STEP 2: INSERT AC/DC ADAPTER



STEP 3: SYNC REMOTE TO FAN



1. Turn on the fan
2. Remove protective film strip from remote to activate battery
 - If no battery, please insert a new one (CR2032)
3. Press and hold the Power (⏻) & Oscillation (↺) button for 5 seconds
4. Remote will now sync, if unsuccessful please repeat step 2



WARNING: This product contains a button battery. If swallowed, it could cause severe injury or death in 2 hours. Seek medical assistance immediately.

5.1 CLEANING

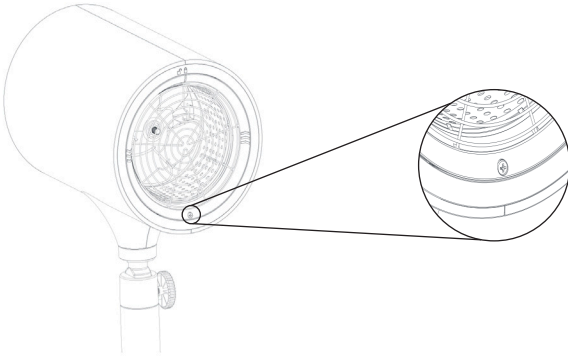
Cleaning should be performed periodically to ensure the longevity of your new fan.

- Ensure the fan is turned off and the plug is removed from the mains power
- Take a clean microfiber cloth
- Wipe rear and front guard until clean

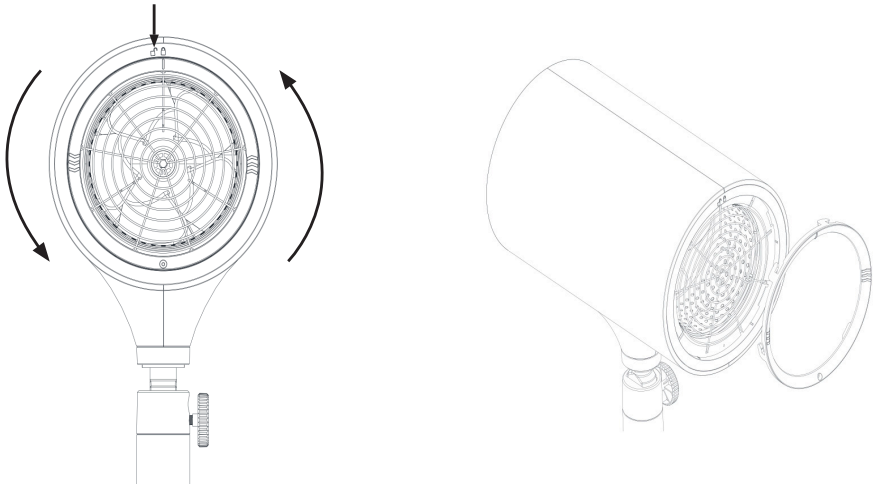
⚠ WARNING: Always switch the fan off and unplug from the power outlet prior to cleaning the housing

5.1.1 REAR COVER

STEP 1: REMOVE A ST2.9X10 SELF-TAPPING SCREW

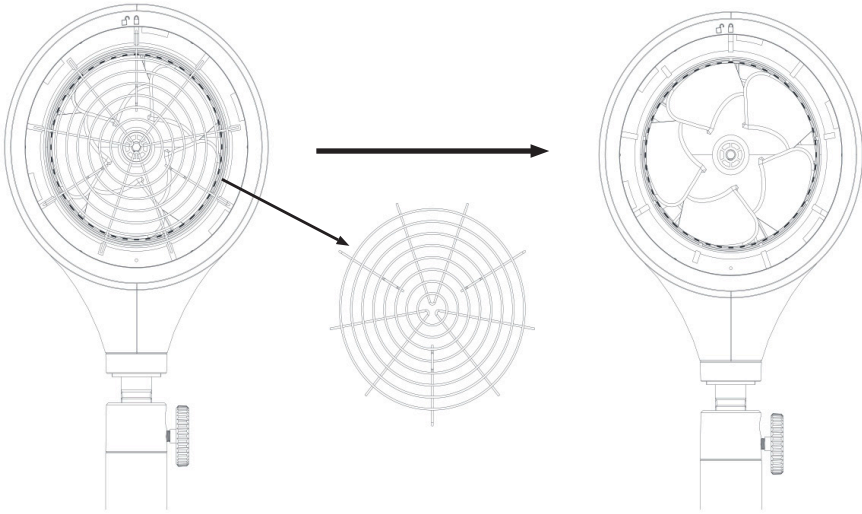


STEP 2: ROTATE COVER COUNTER CLOCKWISE TO REMOVE PLATE AS INDICATED BY THE UNLOCK POSITION ICON TO REMOVE PANEL



5.1.1 REAR COVER

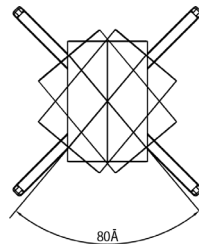
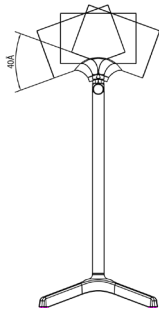
STEP 3: REMOVE WIRE GRID TO CLEAN INNER OF FAN



5.2 OSCILLATION

Oscillation can be set by the remote control, refer to step 3 for operation instructions. There are two forms of oscillation associated with the AURA:

- Left/right - maximum range is $80^{\circ} \pm 2^{\circ}$
- Up/down - maximum range is $40^{\circ} \pm 2^{\circ}$ (Manual Configuration only)

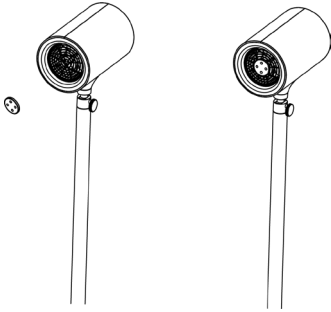


5.3 REMOTE STORAGE

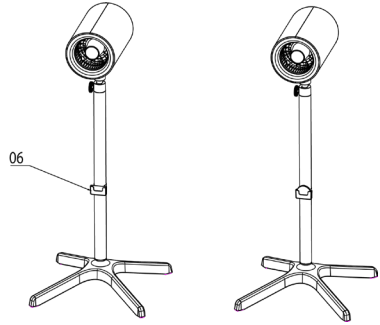
- Remote can be stored in the rear guard when the fan is off for discrete storage.
- When fan is operating, remote can be stored in holder. Holder can be attached to the stand pole.



WARNING: Do not store remote control in the rear guard whilst the fan is in use.



Rear Guard Storage



Remote Holder (while fan is in use)

EVERDURE

It is important that you retain these instructions, proof of purchase as well as other important documents about this product for future reference. Due to continual product development, Everdure reserves the right to alter specifications or appearances without notice.

Dispose of packaging responsibly - recycle where facilities are available.

SHRIRO USA INC. Incorporation Number 7164875
25541 Arctic Ocean Drive
Lake Forest, CA 92630 USA
Tel (sales): +1 (949) 229 8927 Tel (HQ): +61 2 9415 5000
Tel (toll free): +1 (877) 794 2622
Em: sales@shrirousa.com
Website: www.everdure.com