

TOUCHSTONE Master Bath Control

**CMBC-298-01-01-01
Configuration #1**

Owner's Manual



Important Safety Instructions

**PLEASE READ CAREFULLY PRIOR TO
Troubleshooting and Servicing Electrical Equipment**

Definitions:

WARNING (May cause serious injuries or death)

CAUTION (May cause property damage)

For information on NuWhirl Instructions, see:
www.nuwhirl.com/docs/product-instructions.html

When installing and using this electrical equipment, basic safety precautions should always be followed, including:

WARNING: Keep dry. Replace control if exposed to water, moisture or contamination.

WARNING: Use and follow these instructions along with all instructions that have been provided with your whirlpool bathtub in order to fully enjoy the bathtub safely.

WARNING: Electronic control system components should be installed as per local and national Electrical Codes, in a location not to be subjected to splashing or flooding. Exposure to water or splashing will void all product certifications and warranties.

There are no user serviceable parts inside. Opening, modifying, or tampering with control system components will void all product certifications and warranties.

WARNING: Risk of electric shock. Connect only to a ground type receptacle or power supply junction box protected by a Ground-Fault Circuit Interrupter (GFCI). Contact a qualified electrician if you cannot verify that the power supply is protected by a GFCI. The GFCI should be tested on a routine basis. Consult the GFCI manufacturer's instructions for correct testing and operation.

For electrical connections, see applicable wiring diagram.

See www.nuwhirl.com/docs/product-instructions.html

Do not use an extension cord to connect the product to the electric supply; provide a properly located receptacle or junction box.

WARNING: Failure to install in strict accordance with each and every instruction above may compromise the system, which may cause injury to persons and/or property.

The tub may be supplied from more than one power source. Before working on any electrical device, make sure all power to the control system is off.

Use this unit only for its intended use as described in this manual. Do not use attachments not recommended by the manufacturer. Any improper installation or misuse of the equipment may result in injury to the user and will void the warranty.

Do not run unit dry. Always be certain that the pump casing is filled with water before starting the unit. If pump fails to prime within 30 seconds, turn it off. Check if there is an airlock, clogged plumbing, or closed valve.

Save these instructions.

TOUCHSTONE Master Bath Control System Configuration #1 Owner's Manual

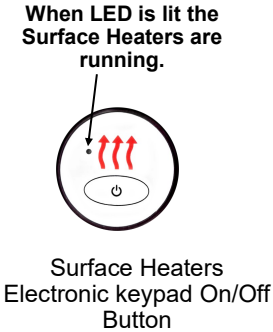
Your whirlpool bathtub has been equipped with TOUCHSTONE Electronic and Mechanical Controls to provide features that allow you to customize your bathing experience to your individual preference. Please familiarize yourself with the features and operating instructions below in order to maximize the enjoyment you receive from your bath. These operating instructions should be used in conjunction with the other instructions and warnings provided with your whirlpool bathtub in order to fully understand and safely utilize the bathtub.

System Features

- Air Button and Electronic Keypad Options
- Automatic 30-minute timer
- Single Speed Pump
- Micro Bubble Pump
- Surface Heaters
- Multicolor Tub Light

Air Button and Electronic Keypad Options

Your Whirlpool System is controlled by dedicated Air Buttons labeled Water, Micro, Light and an Electronic On/Off switch for your Surface Heaters. Please use the Diagram on page 4 to follow and learn the following Operating Instructions.





Operating Instructions

Automatic 30-minute Timer

The 30-minute timer is activated by turning on any of the main features (Water, Microbubble or Surface Heaters) At the end of the 30-minutes the system will automatically turn off.

Single Speed Pump (**Water**)

The whirlpool water system is activated by pressing the Water Button. This will turn on the Pump and activate the automatic 30-minute timer. The whirlpool water system will stop automatically when the timer expires. To end your bathing session earlier, press the Water Button at any time.



Micro Bubble Pump (**Micro**)

The Micro Bubble system is activated by pressing the Micro Button. This will turn on the MB Pump and activate a 30-minute timer. To stop the system earlier, press the Micro Button and the Micro Bubble system will turn off.

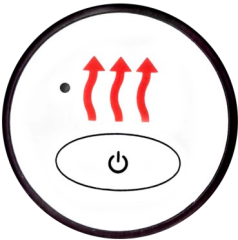


NOTE: The whirlpool water system and microbubble system are interlocked and cannot be used at the same time. Activating one system will automatically turn off the other, if it's running.

TOUCHSTONE Master Bath Control System Configuration #1 Owner's Manual

Surface Heaters

It is recommended to turn the Surface Heater ON 5-10 minutes prior to entering the tub. Once the Heater Button is pressed the red LED indicator will illuminate and start a 30-minute timer. The Heater will begin to warm the surface of the seat and/or back wall. The temperature will increase to a comfortable level within a 5-10 minute period. To turn off the Surface Heater earlier press the Surface Heater button.



Multi-color Tub Light (Light)

The Multi-color Tub Light is activated by pressing the Light Button at any time. The first press will put the Light in a "Rainbow" mode, Subsequent press and releases will change the color to (White , Blue , Aqua , Green , Yellow , Red and Magenta). To turn off the Light press and hold the Light Button at any time.

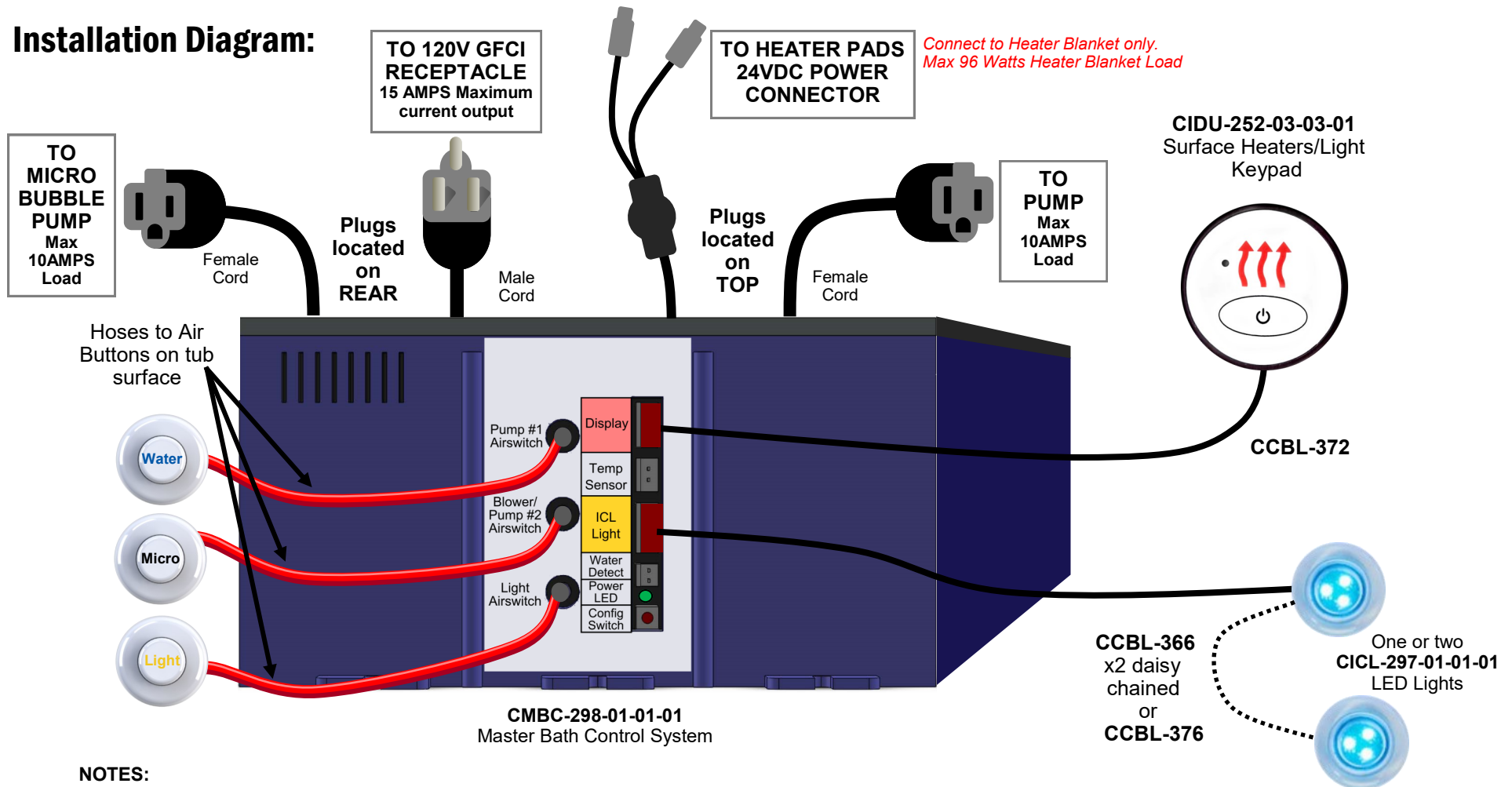


System Identification: CMBC-298-01-01-01 Configuration #1

System features: Air Button activated/Electronic keypad (optional) Automatic 30-minute timer, Single Speed Pump, Micro Bubble Pump, Surface heaters, Multi-color Tub Lights

Note: For instructions on setting the Configuration # see "Control Configuration Selection and Setting Guide"

Installation Diagram:



NOTES:

1. **PUMPS** equipped with air switch must be in the "ON" position prior to plugging into the [CMBC-298-01-01-01].
 2. Surface Heaters cannot be operated without the Electronic Keypad.
 3. Connect cables to ports as shown. Installation may not require the use of all connection ports.
- Failure to connect cables to ports as shown, may damage the control box and its components.

Retain this manual for future reference

**For your records and future reference
please fill in data below:**

Manufacturer: _____

Model: _____

Serial: _____

Date of Installation: _____

