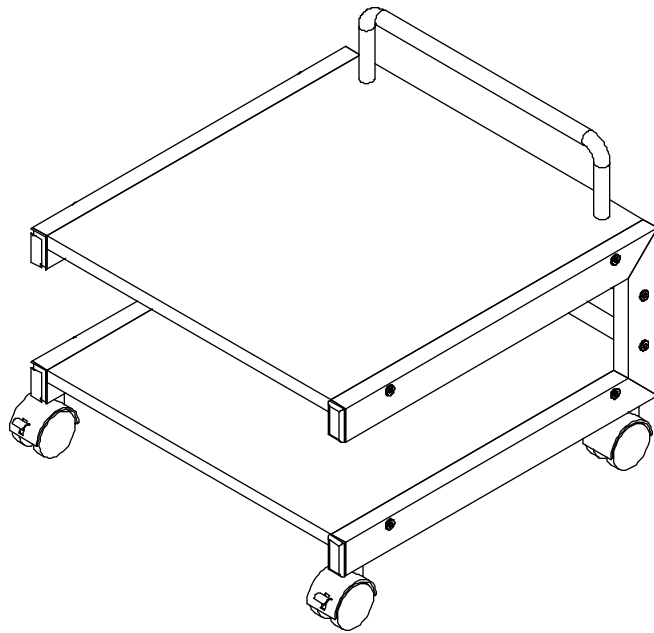


# BLT-27501

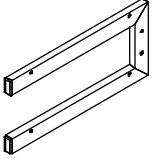
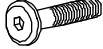
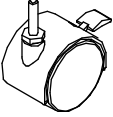
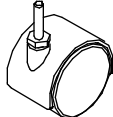


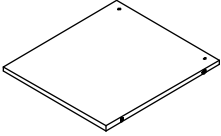
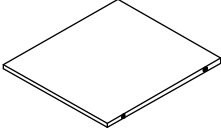
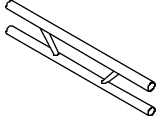
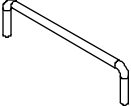
Low Laser Stand W/Paper Shelf



## Assembly Instructions

# BLT-27501

## Low Laser Stand W/Paper Shelf

Part	Drawing	Description	Qty	Part	Drawing	Description	Qty
P1		Leg Frame	2 EA	<b>Hardware List</b>  A  1-3/8" Socket Screw 14 EA  B  Locking Caster 1-1/2" 2 EA  C  Caster 1-1/2" 2 EA  D  Allen Wrench 1 EA  E  Caster Wrench 1 EA			
P2		Upper Shelf Platform	1 EA				
P3		Bottom Platform	1 EA				
P4		Stability Brace	1 EA				
P5		Handle	1 EA				

*We recommend that you assemble this unit on a table.*

### Missing Parts or UPS Damaged Parts

For Your Convenience you can  
EMAIL us at

***info@ergoindemand.com***

### ***Should you require assistance during assembly,***

***please call our Customer Service Department***

***Monday - Friday 7a.m. - 4:30p.m.***

***Pacific Standard Time 1-800-888-6024***

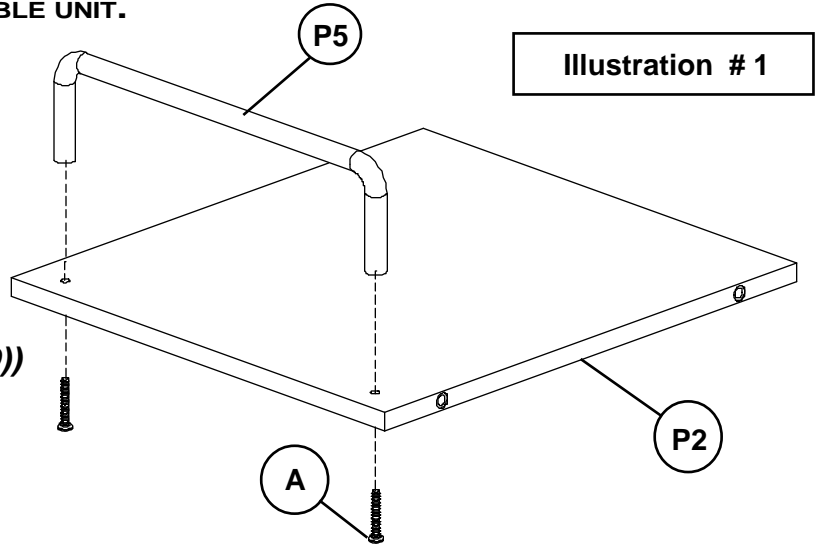
Do not use unless all screws are tight. At least every six months, check all screws to be sure they are tight. If parts are missing, broken, damaged, or worn, stop use of the product until repairs are made by your dealer using factory authorized parts.

# Low Laser Assembly Diagram

**READ THROUGH INSTRUCTIONS FROM BEGINNING TO END BEFORE STARTING TO ASSEMBLE UNIT.**

- 1.) Identify and Separate all the Parts and Hardware.
- 2.) Attach Handle (P5) to the Upper shelf Platform (P-2) using 2 each (A) screws as shown in illustration # 1.

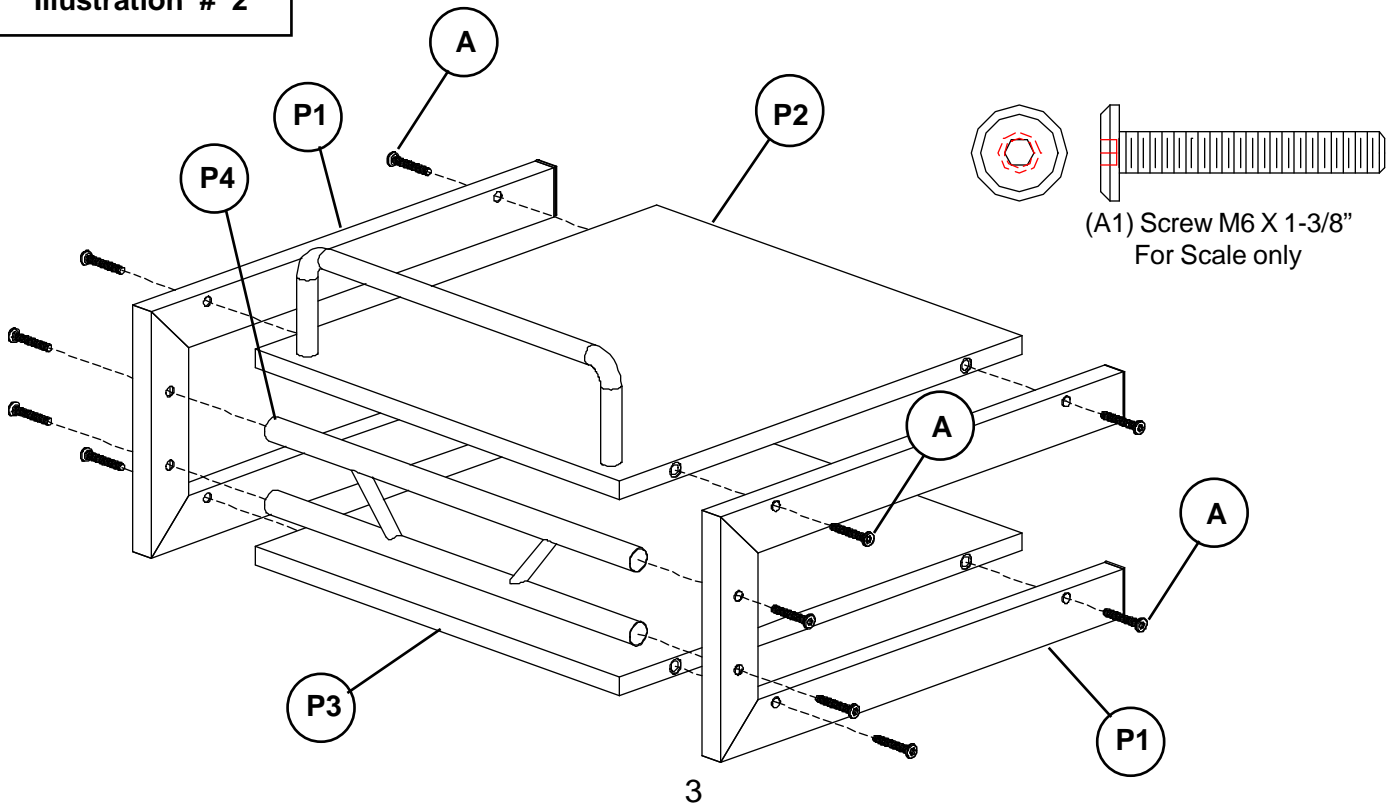
**(Tighten screws using Allen Wrench (D))**



(A1) Screw M6 X 1-3/8"  
For Scale only

- 3.) Attach the 2 each Leg Frames (P-1) to the Upper Shelf Platform (P2), the Lower Shelf Platform (P3), and the Stability Brace (P-4) using 12 each (A) screws as shown in illustration # 2. **(Finger tighten only)**

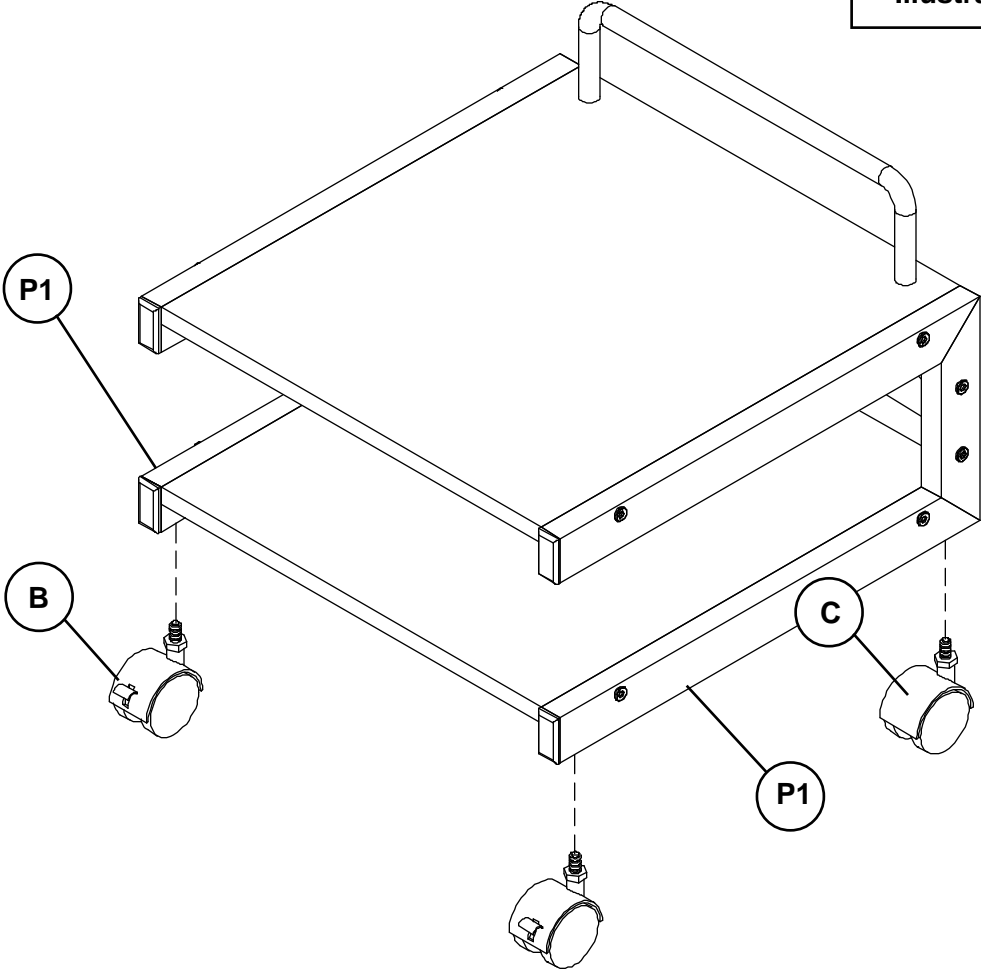
**Illustration # 2**



4.) Attach 2 Locking Casters (B) to the front, and 2 Casters (C) to the back of the unit. Tighten all Casters using Caster Wrench (E).

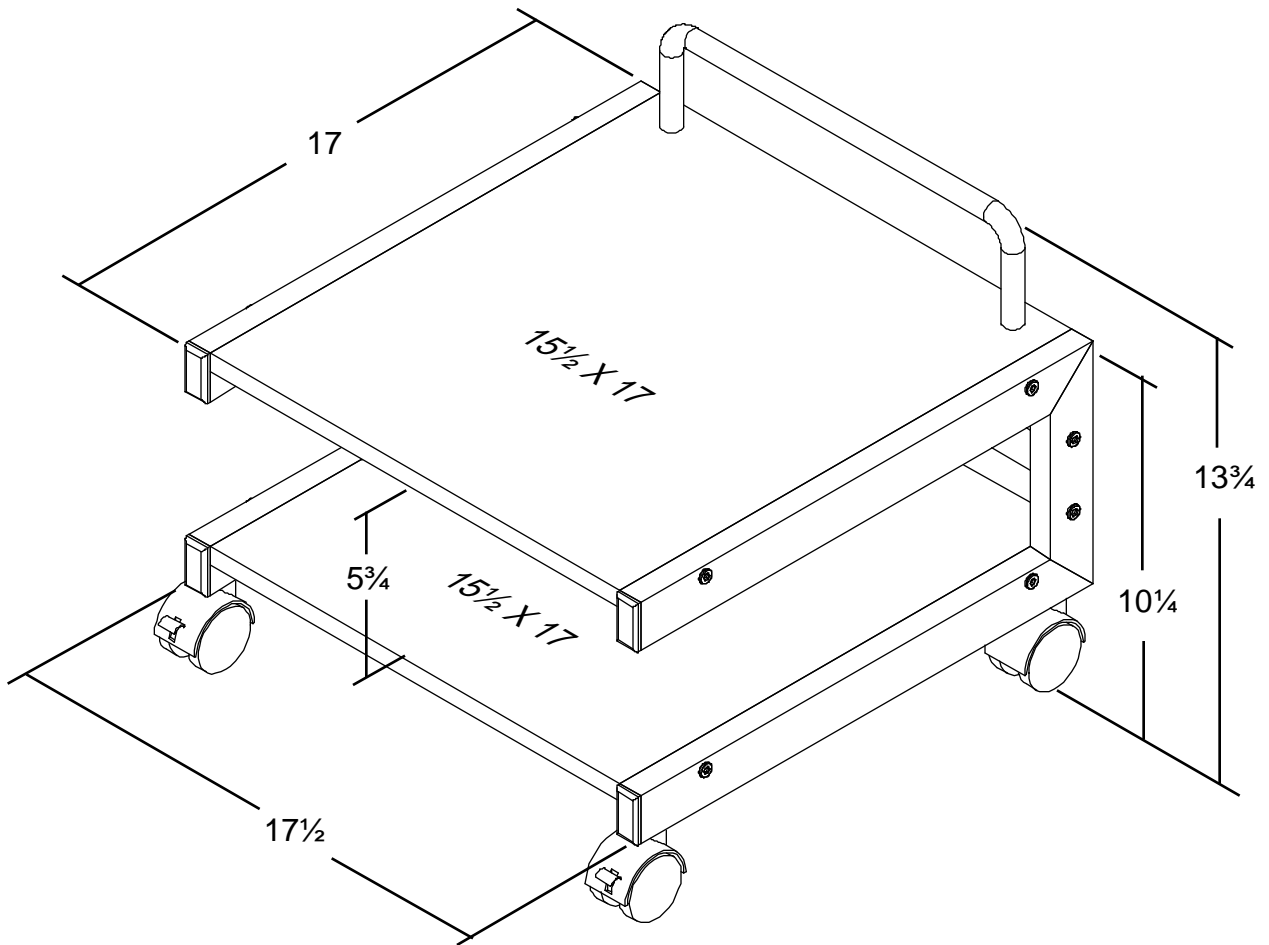
5.) Tighten all socket head screws using allen wrench (D).

Illustration # 2



# 27501-Low Laser Stand

For more information  
**1-800-888-6024**



## Shipping Information

1.0 Cubic Feet

21lbs.

