

Technical Specification

DISPLAY DIRECT WALL

General Features

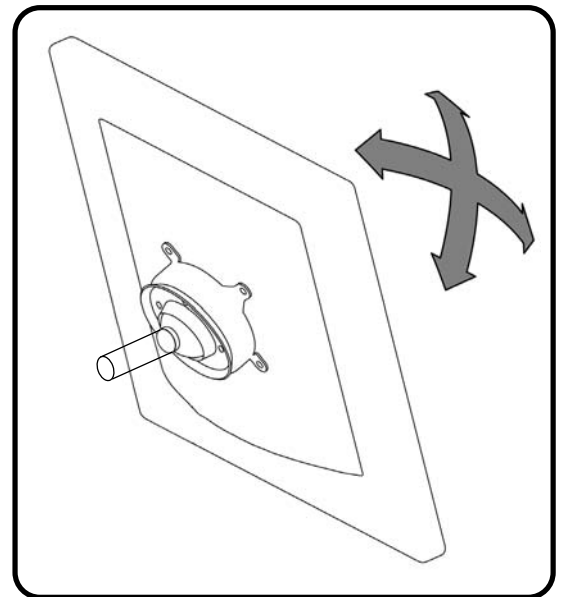
Screen Compatibility: arms are compatible with most TFT/LCD monitors that use the VESA international mounting standard. An Atdec VESA Compliance list is available on our website (www.atdec.com) to view all LCD/TFT models which suit Spacedec.

Screen Weight: Maximum 11.5kgs (25.5lbs). This 'Display' range does **not support** **Swing Arm** standard 340mm (13.38") Arms **nor** Extra Long Arm 450mm (17.7").

VESA Screen Mounting Options: Direct Mount and Quick Release suits either (75mm/3") and 100mm/4")

Colours: Silver Texture
Black Texture
Grey Texture
(other colours available on request)

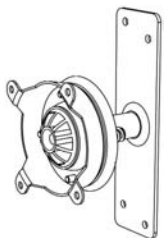
Warranty: Limited 2 years



- Ball mechanism has $\pm 40^\circ$ angle tilt of screen and 360° rotation.
- Note: The amount of tilt is limited by screen size.

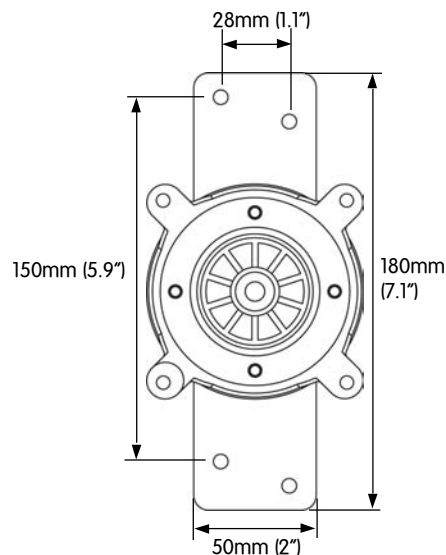
DIRECT WALL MOUNT

NOTE: Display Direct Wall Mount allows the user to secure the arm to a concrete or timber stud wall.

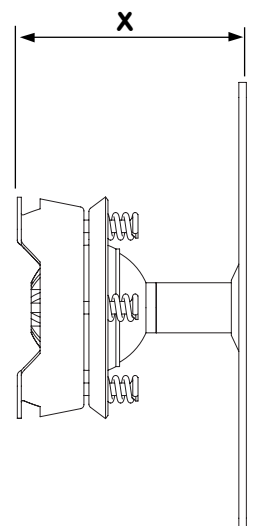


Perspective View

X = (from wall to back of screen)	
DIRECT MOUNT	95mm (3.8")
QUICK RELEASE (not shown)	120mm (4.7")



Footprint of Mounting Plate



Side View