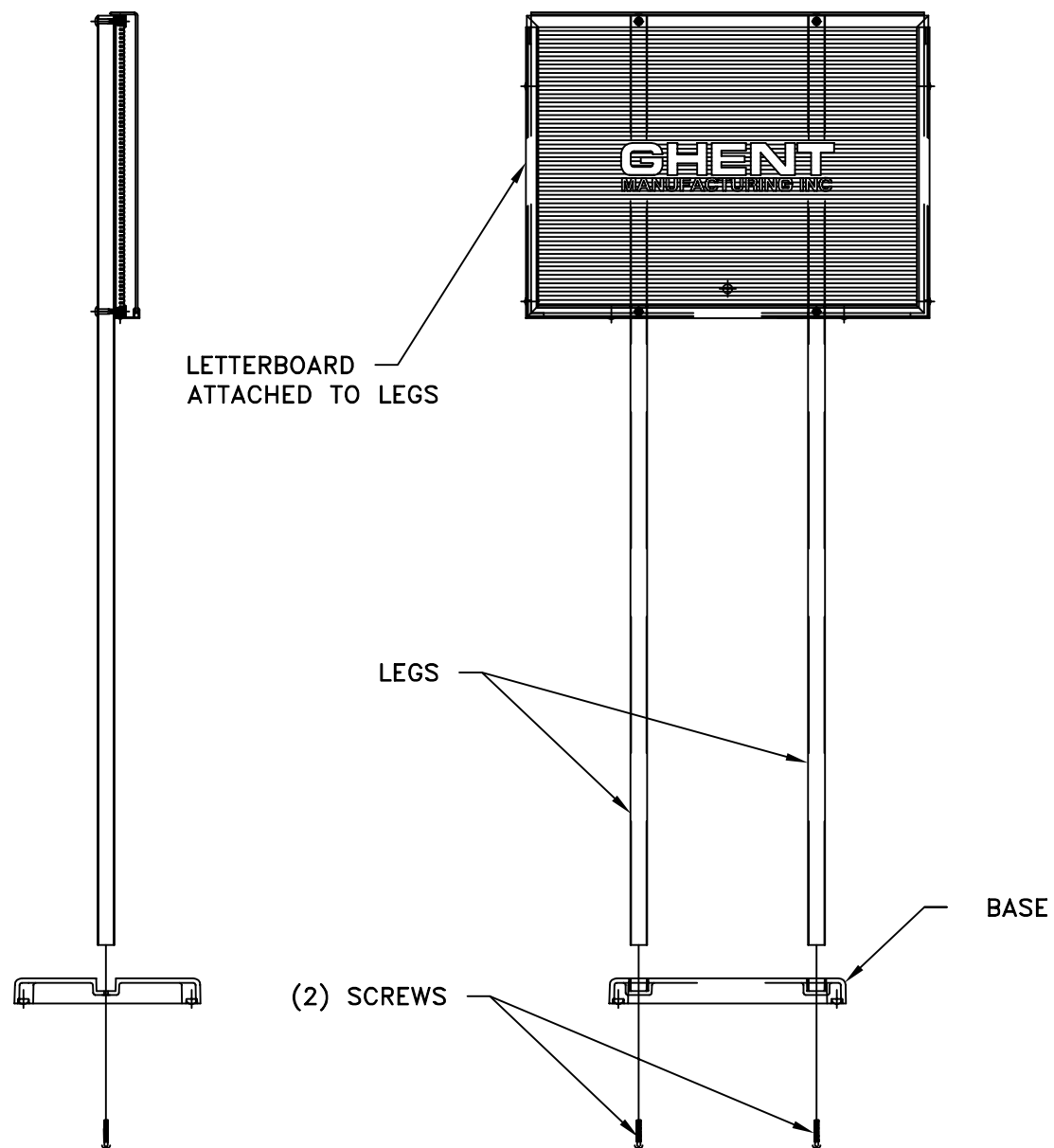


2-LEG LETTERBOARD ASSEMBLY

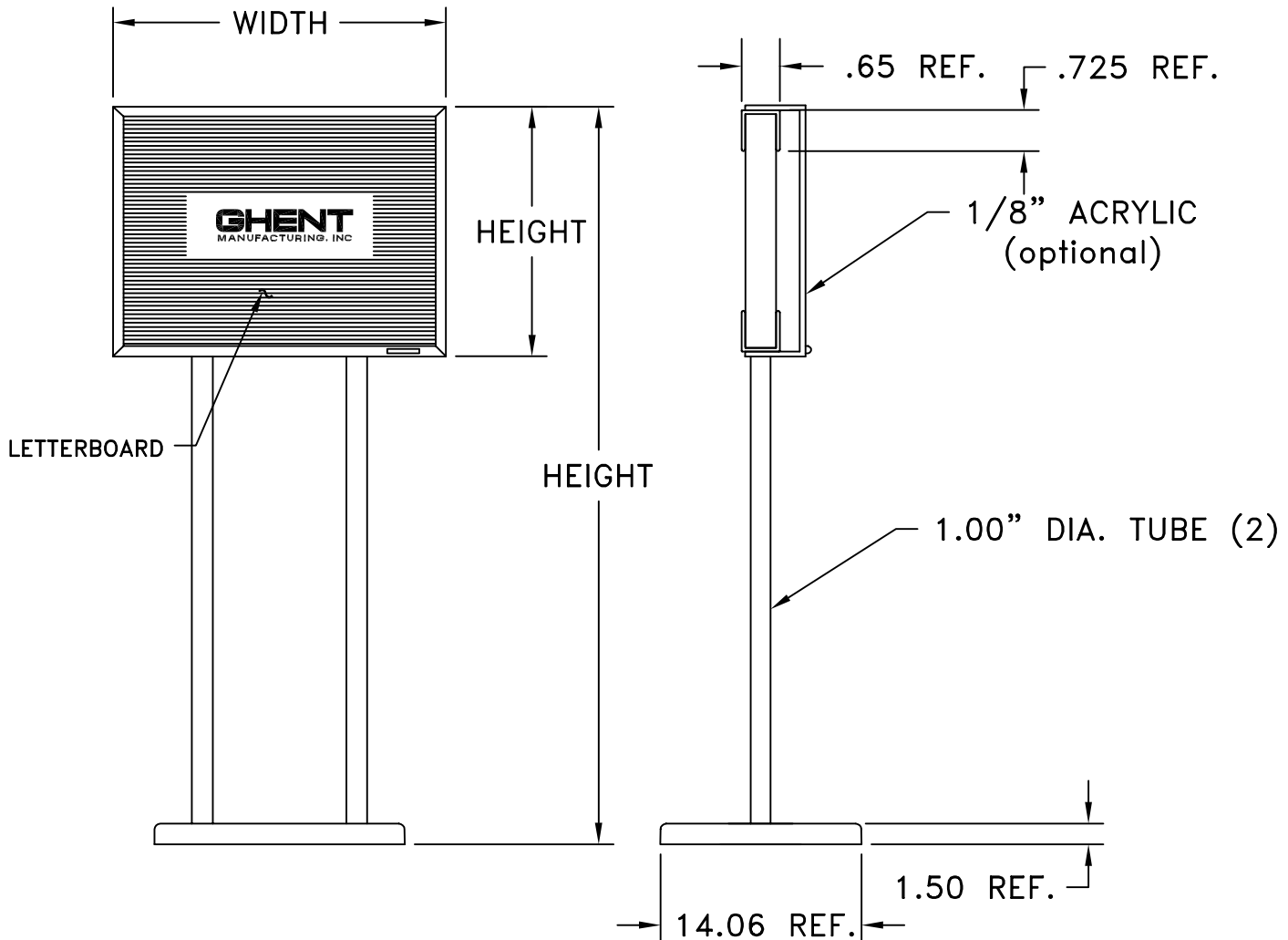
1. REMOVE SCREWS FROM LEGS.
2. INSERT LEGS INTO BASE SOCKETS.
3. INSERT SCREWS THRU BASE INTO LEGS AND HAND TIGHTEN.



**2-LEG LETTERBOARD
INSTRUCTION SHEET**

Double Pedestal Letterboards

Free Standing Message Centers



Specifications

The letterboard framing is anodized extruded aluminum 6063-T5. Legs are powder coated steel and the base of unit is black powder coated aluminum. Framing is permanently attached a 1/2" letterpanel. A 1/8" Acrylic lens slides into the frame. The black letterboard panel is available in 18"W x 24"H. The overall dimensions of the HPDP unit are 60"H x 24"W. Also available in an open face (without lens) design.