

CHIEF MANUFACTURING INC.
MOUNT ORDER NUMBER IS KWT-110
PHONE: 1-800-582-6480

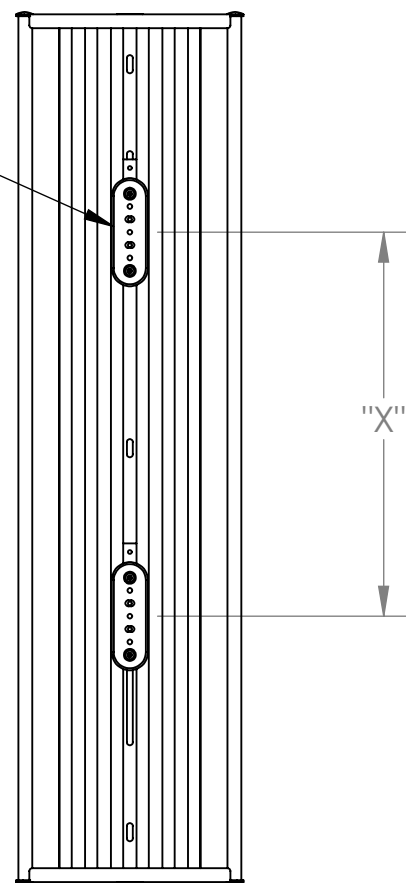
THE INFORMATION AND DESIGNS CONTAINED IN THIS DRAWING ARE CONFIDENTIAL AND THE PROPRIETARY PROPERTY OF CHIEF MFG., INC. NEITHER THIS DESIGN NOR ANY INFORMATION CONTAINED IN THIS DRAWING MAY BE REPRODUCED OR DISCLOSED TO OTHERS WITHOUT THE EXPRESS WRITTEN CONSENT OF CHIEF MFG., INC.

CHIEF MANUFACTURING, INC.
 8401 EAGLE CREEK PKWY STE. 700, SAVAGE, MN 55378
 1.800.582.6480 * FAX 1.877.894.6918

TITLE
CUSTOMER PRINT ASSEMBLY, ALL-IN-ONE WORK STATION KWT-110

SIZE DWG. NO.
B KWT-110

COMPONENT MOUNTING BRACKET

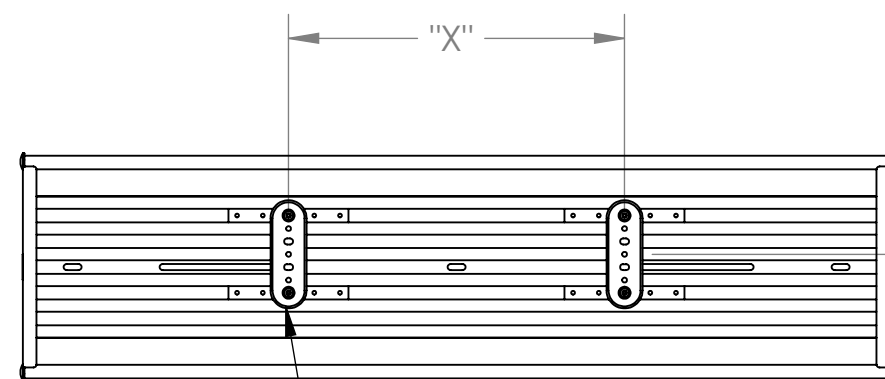


MINIMUM DISTANCE BETWEEN COMPONENT MOUNTING BRACKETS IN VERTICAL CONFIGURATION

INSTALLATION OPTIONS	X	AVAILABLE ADJUSTMENT
DRYWALL	16"	13"
STEEL STUD	8"	21"
WOOD STUD	8"	21"

[104]
4.11

DISTANCE TO THE CENTER OF THE COMPONENT MOUNTING BRACKET



COMPONENT MOUNTING BRACKET

MINIMUM DISTANCE BETWEEN COMPONENT MOUNTING BRACKETS IN HORIZONTAL CONFIGURATION

INSTALLATION OPTIONS	X	AVAILABLE ADJUSTMENT
STEEL STUD	8"	23"
WOOD STUD	8"	23"



CHIEF MANUFACTURING INC.
MOUNT ORDER NUMBER IS KWT-110
PHONE: 1-800-582-6480

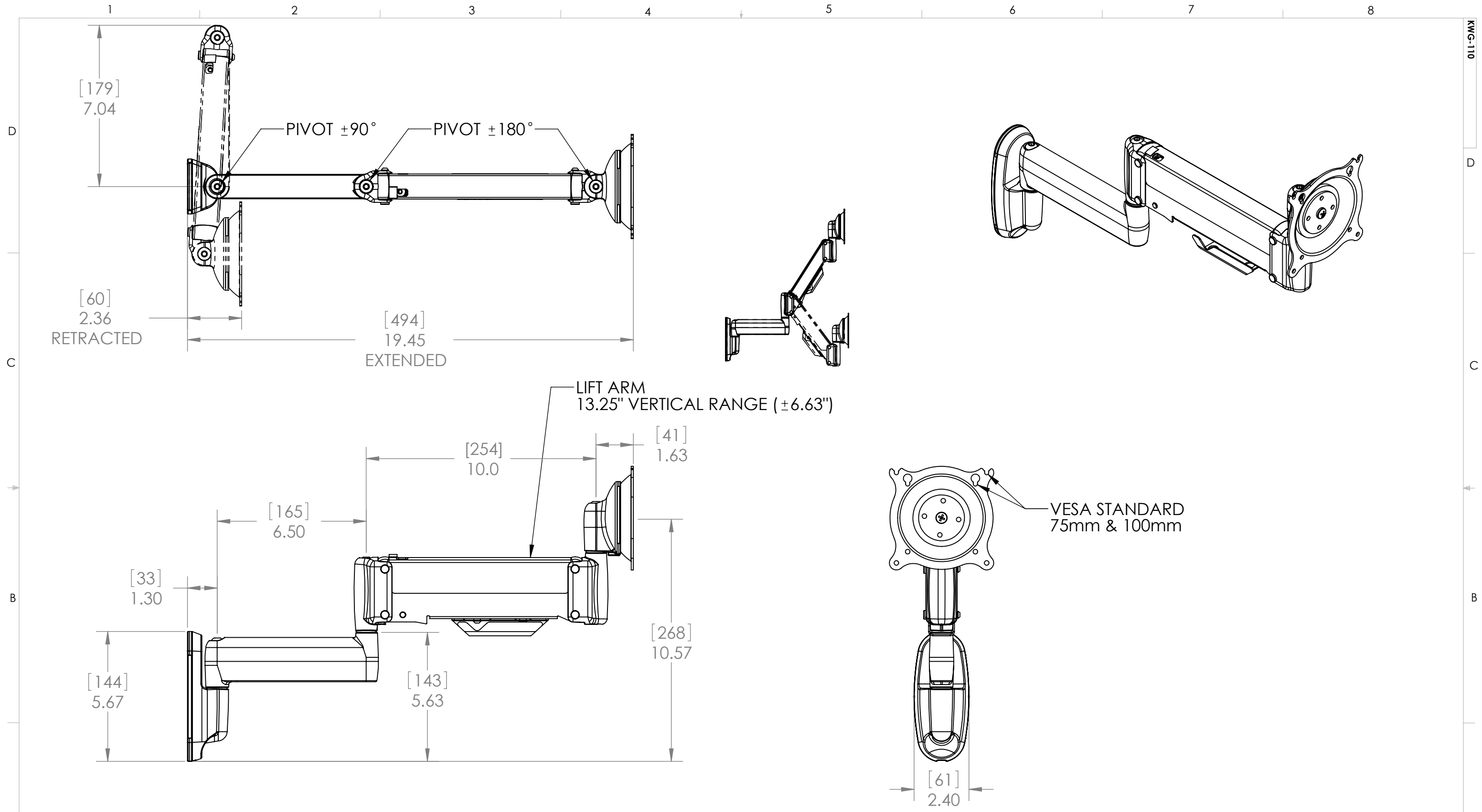
THE INFORMATION AND DESIGNS CONTAINED IN THIS DRAWING ARE CONFIDENTIAL AND THE PROPRIETARY PROPERTY OF CHIEF MFG., INC. NEITHER THIS DESIGN NOR ANY INFORMATION CONTAINED IN THIS DRAWING MAY BE REPRODUCED OR DISCLOSED TO OTHERS WITHOUT THE EXPRESS WRITTEN CONSENT OF CHIEF MFG., INC.

CHIEF MANUFACTURING, INC.

8401 EAGLE CREEK PKWY STE. 700, SAVAGE, MN 55378
 1.800.582.6480 * FAX 1.877.894.6918

TITLE **CUSTOMER PRINT ASSEMBLY, ALL-IN-ONE WORK STATION KWT-110**

SIZE DWG. NO. **B KWT-110**



CHIEF MANUFACTURING INC.
MOUNT ORDER NUMBER IS KWG-110
PHONE: 1-800-582-6480

SHEET SCALE = 1:4

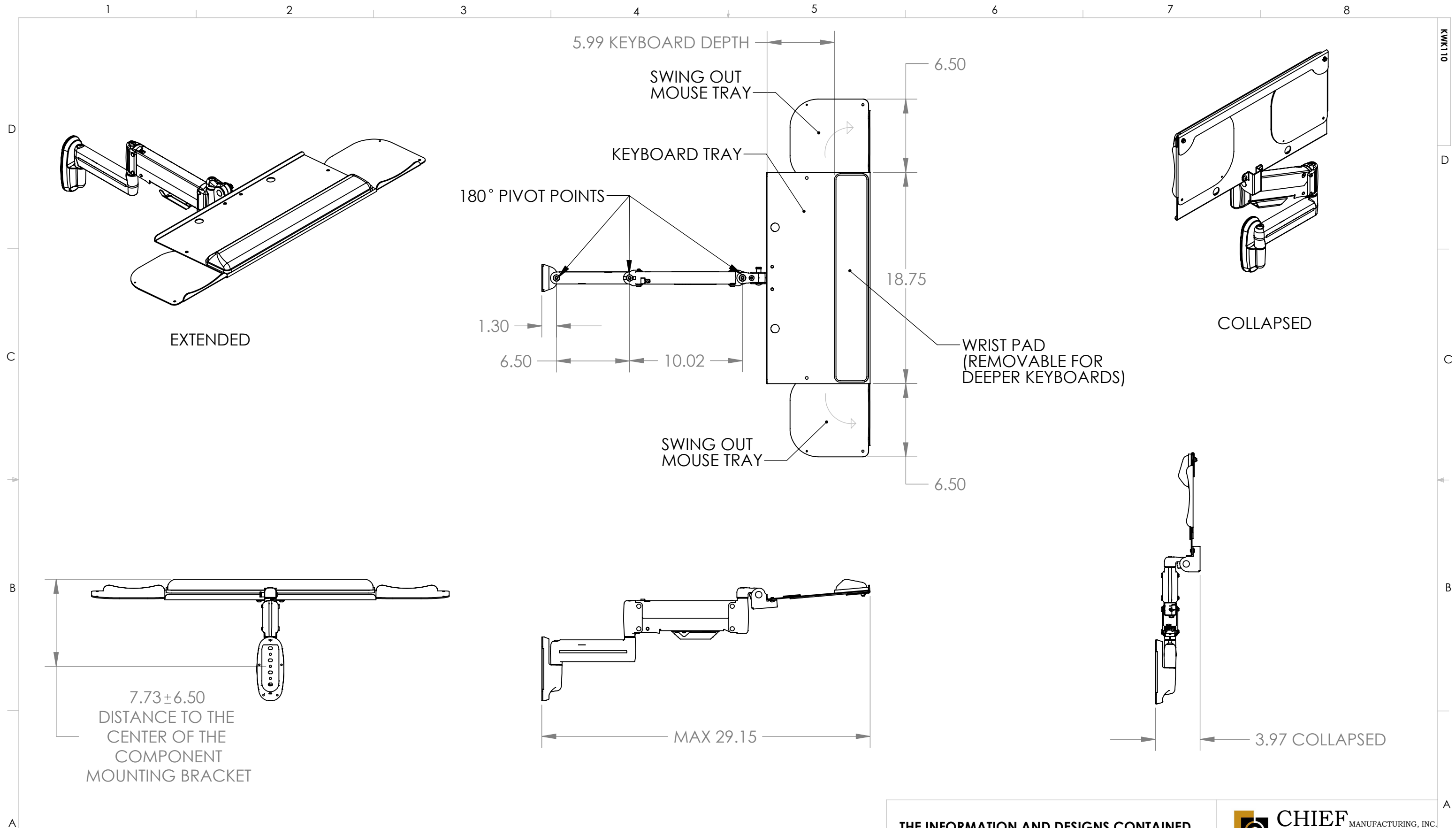
THE INFORMATION AND DESIGNS CONTAINED IN THIS DRAWING ARE CONFIDENTIAL AND THE PROPRIETARY PROPERTY OF CHIEF MFG., INC. NEITHER THIS DESIGN NOR ANY INFORMATION CONTAINED IN THIS DRAWING MAY BE REPRODUCED OR DISCLOSED TO OTHERS WITHOUT THE EXPRESS WRITTEN CONSENT OF CHIEF MFG., INC.



TITLE
CUSTOMER PRINT
KWG-110


SIZE DWG. NO.
B KWG-110

8401 EAGLE CREEK PKY
 SUITE #700
 SAVAGE, MN 55378
 PHONE: 952-894-6280
 FAX: 877-894-6918

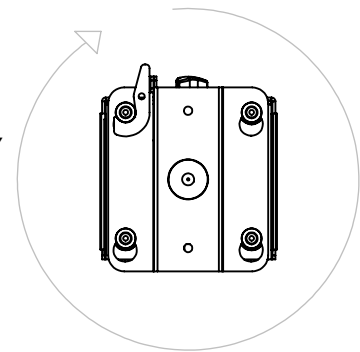


CHIEF MANUFACTURING INC.
MOUNT ORDER NUMBER IS KWK110
PHONE: 1-800-582-6480

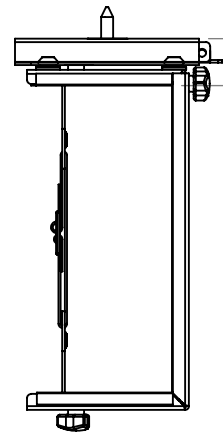
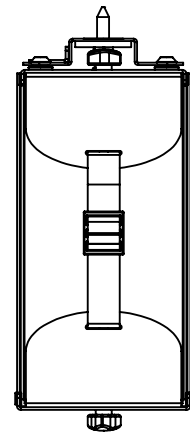
THE INFORMATION AND DESIGNS CONTAINED IN THIS DRAWING ARE CONFIDENTIAL AND THE PROPRIETARY PROPERTY OF CHIEF MFG., INC. NEITHER THIS DESIGN NOR ANY INFORMATION CONTAINED IN THIS DRAWING MAY BE REPRODUCED OR DISCLOSED TO OTHERS WITHOUT THE EXPRESS WRITTEN CONSENT OF CHIEF MFG., INC.

 CHIEF MANUFACTURING, INC. <small>8401 EAGLE CREEK PKWY STE. 700, SAVAGE, MN 55378 1.800.582.6480 * FAX 1.877.894.6918</small>	
<small>TITLE</small> CUSTOMER PRINT ASSEMBLY, KEYBOARD TRAY KWK110	
<small>SIZE</small> B	<small>DWG. NO.</small> KWK110

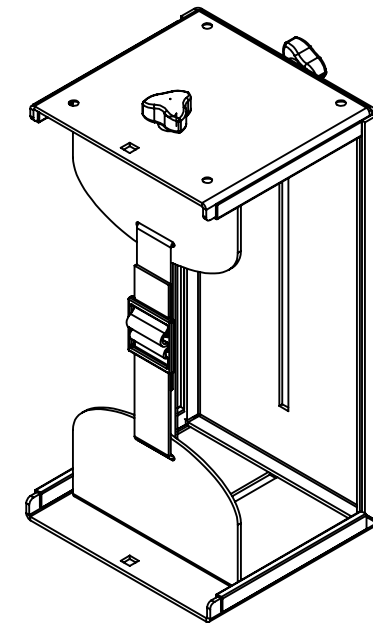
360°
SWIVEL
CAPABILITY



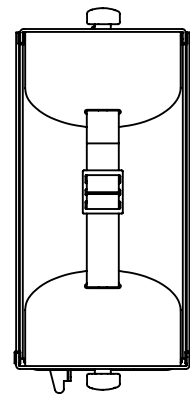
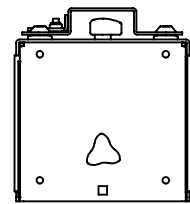
-UNDER DESK MOUNTED CONFIGURATION
***ONLY AVAILABLE WITH KSA-1020 PRODUCT**
****OPTION NOT AVAILABLE WITH KWT10 ALL IN ONE WORKSTATION**



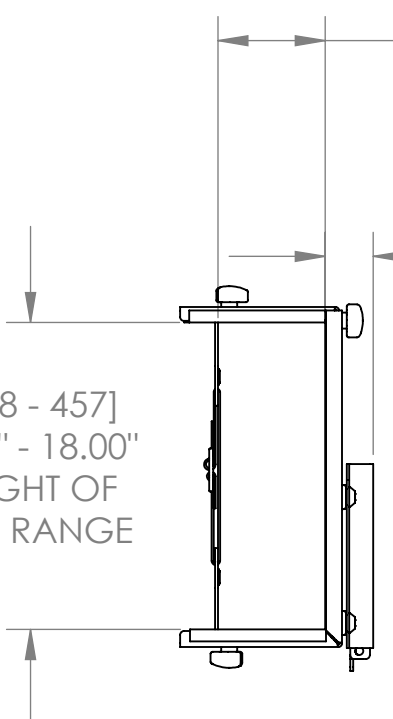
[37]
1.46
MOUNTING SURFACE
TO CPU SURFACE



WALL MOUNTED CONFIGURATION



[248 - 457]
9.75" - 18.00"
HEIGHT OF
CPU RANGE

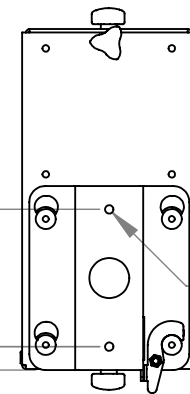


[0 - 191]
0" - 7.50"
WIDTH OF
CPU RANGE

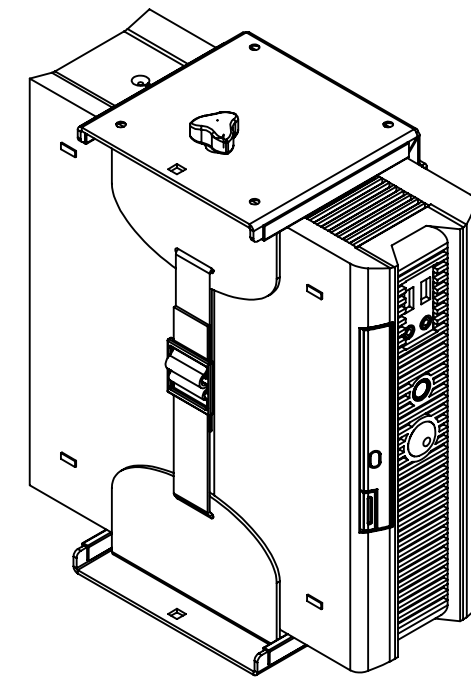
[38]
1.50
MOUNTING SURFACE
TO CPU SURFACE

[109]
4.29

[19]
.73



[7]
Ø.26
MOUNTING
HOLES



SHOWN WITH CPU INSTALLED



CHIEF MANUFACTURING INC.
MOUNT ORDER NUMBER IS KSA1020
PHONE: 1-800-582-6480

THE INFORMATION AND DESIGNS CONTAINED
 IN THIS DRAWING ARE CONFIDENTIAL AND THE
 PROPRIETARY PROPERTY OF CHIEF MFG., INC.
 NEITHER THIS DESIGN NOR ANY INFORMATION
 CONTAINED IN THIS DRAWING MAY BE
 REPRODUCED OR DISCLOSED TO OTHERS
 WITHOUT THE EXPRESS WRITTEN CONSENT OF
 CHIEF MFG., INC.

CHIEF MANUFACTURING, INC.
 8401 EAGLE CREEK PKWY STE. 700, SAVAGE, MN 55378
 1.800.582.6480 * FAX 1.877.894.6918

TITLE
**CUSTOMER PRINT
 ASSEMBLY,
 CPU MOUNT
 KSA1020**

SIZE DWG. NO.
B KSA1020