

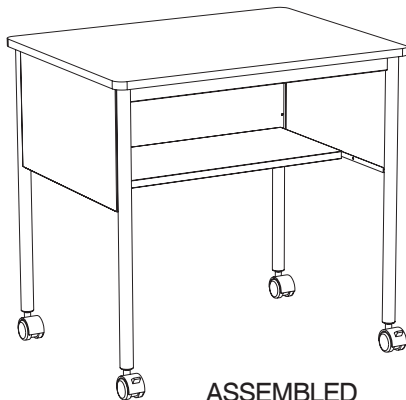
# Multi-Purpose Machine Stand

MODEL NUMBER 1874

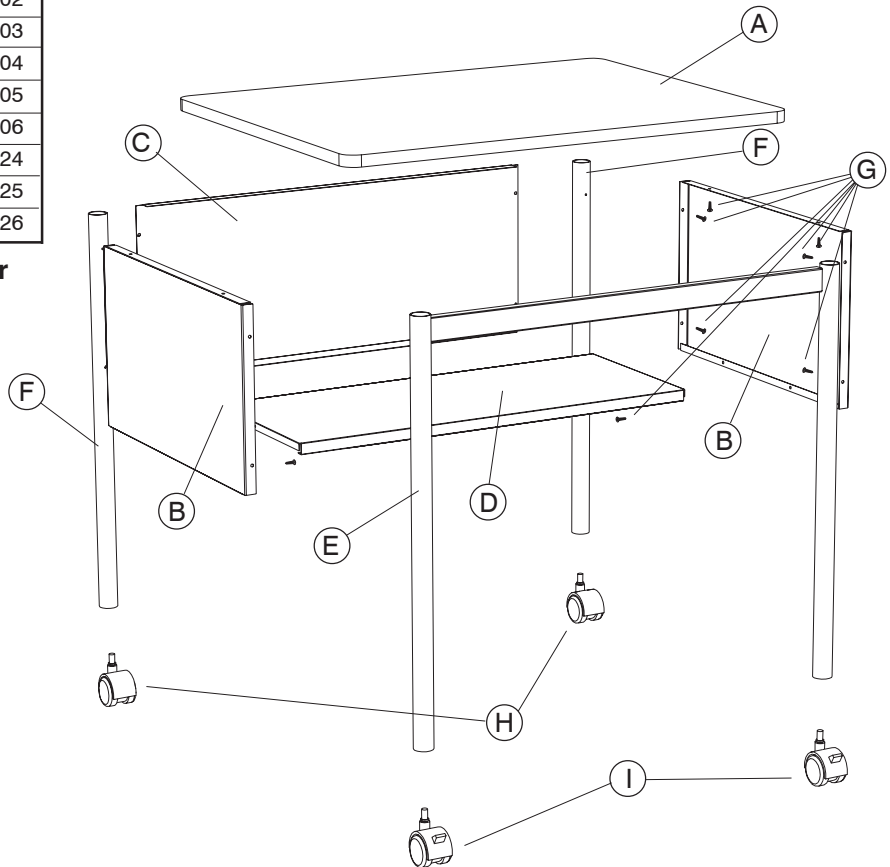
## ASSEMBLY INSTRUCTIONS

PARTS LIST			
LETTER CODE	DESCRIPTION	QTY.	PART NO.
(A)	Top Panel	1	1874-01
(B)	Side Panel	2	1874-02
(C)	Back Panel	1	1874-03
(D)	Shelf	1	1874-04
(E)	Front Leg Frame	1	1874-05
(F)	Rear Leg	2	1874-06
(G)	Screw	14	1874-24
(H)	Caster without Brake	2	1874-25
(I)	Caster with Brake	2	1874-26

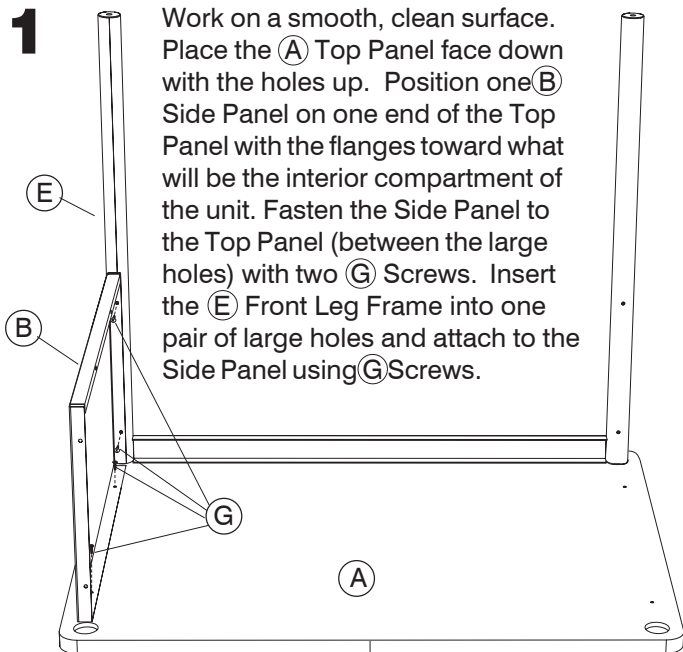
**TOOLS REQUIRED: Phillips Screwdriver**



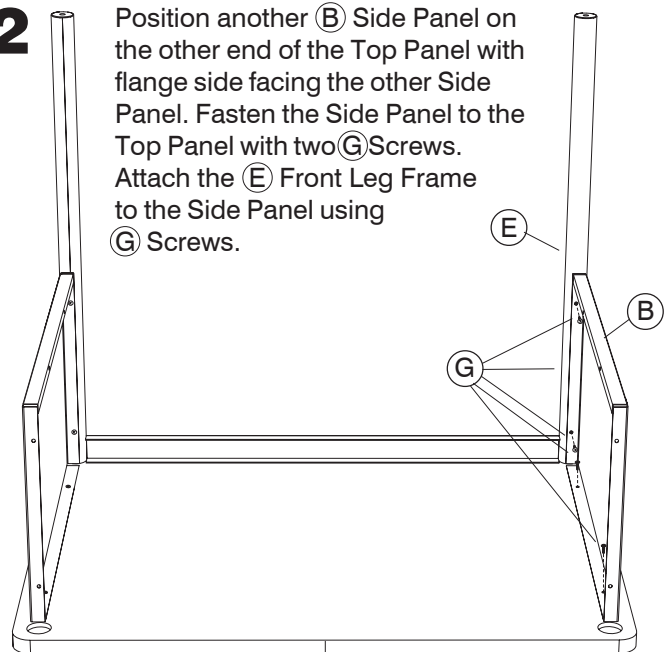
ASSEMBLED UNIT



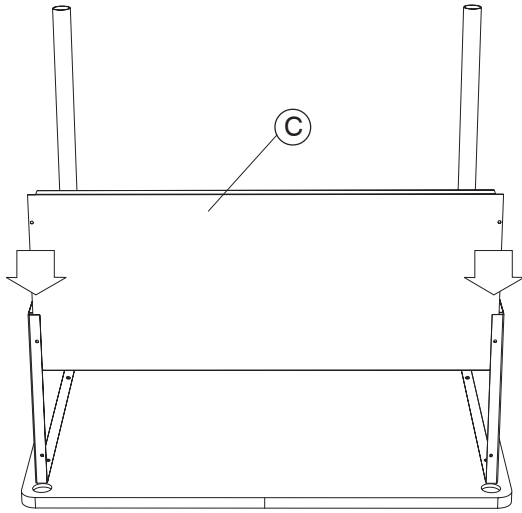
- 1** Work on a smooth, clean surface. Place the (A) Top Panel face down with the holes up. Position one (B) Side Panel on one end of the Top Panel with the flanges toward what will be the interior compartment of the unit. Fasten the Side Panel to the Top Panel (between the large holes) with two (G) Screws. Insert the (E) Front Leg Frame into one pair of large holes and attach to the Side Panel using (G) Screws.



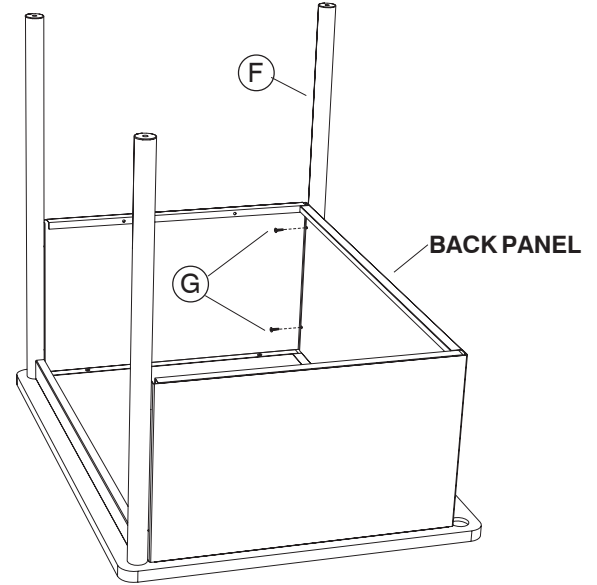
- 2** Position another (B) Side Panel on the other end of the Top Panel with flange side facing the other Side Panel. Fasten the Side Panel to the Top Panel with two (G) Screws. Attach the (E) Front Leg Frame to the Side Panel using (G) Screws.



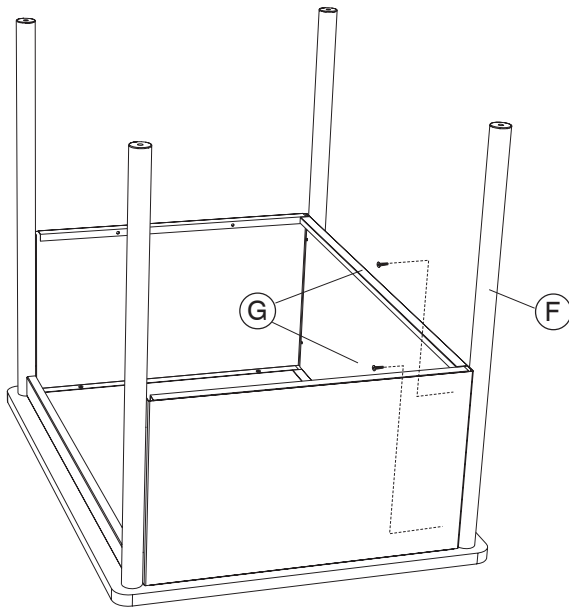
- 3** Slide the **(C)** Back Panel into position between the Side Panels as shown. Keep the Back Panel inside the flanges on the Side Panels.



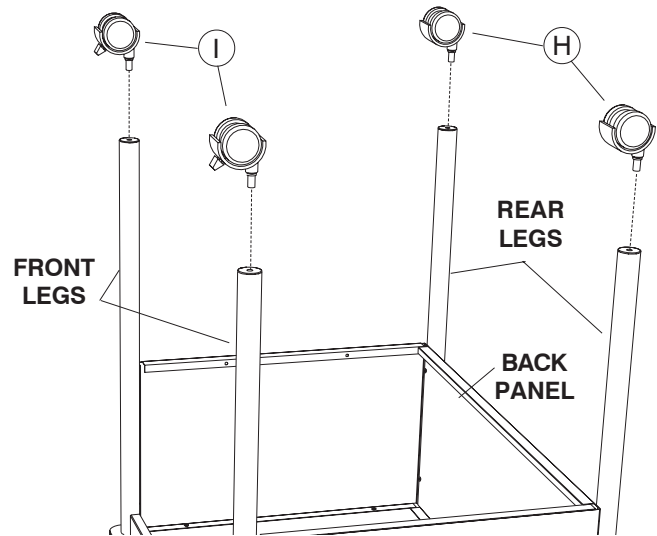
- 4** Insert one **(F)** Rear Leg into one large hole and use two **(G)** Screws to fasten the Side Panel and Back Panel to the Leg from the interior.



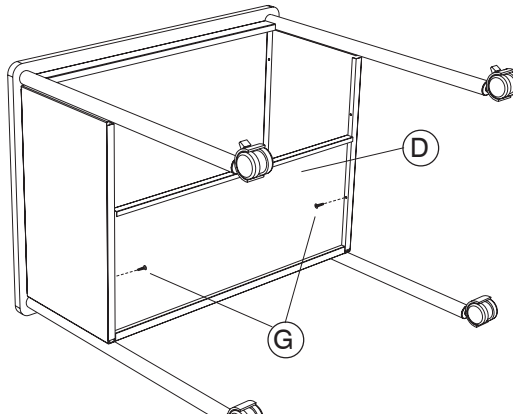
- 5** Insert the other **(F)** Rear Leg into the remaining large hole and fasten to the Side and Back Panels using two **(G)** Screws.



- 6** Push the stems of the **(H)** Casters without Brakes into the caster inserts in the legs attached to the Back Panel. Push the **(I)** Casters with Brakes into the front legs, and carefully turn the completed unit onto the back side as shown in Step 7.



- 7** Slide the **(D)** Shelf into the unit between the Side Panels, with the flanges toward the Casters. Slide the flanges of the shelf into the lower flanges on the Side Panels and Back Panel. Fasten Shelf to each Side Panel using one **(G)** Screw. Carefully turn the completed unit upright.



Carefully turn the completed unit upright.

