



PT 100 – 500 and 1000 Liquid Temperature Sensor

Range Accuracy -50 to 200°C
Class A for PT1000
Class 1/3 for PT100

Response time (0-90%) into boiling water 10000 ms

Resistance Sensitive element See table
PT100 / PT500 or PT1000

Dimension short long 6 threaded + 4 mm
8 threaded + 6 mm
1/8-NPT

Contact us

Calibration tables (silicon sensor)		
°C	PT100 Ω	PT1000 Ω
-50	82.25	822.5
-40	84.21	842.1
-20	92.13	921.3
0	100.00	1000.0
20	107.79	1077.9
40	115.54	1155.4
60	123.24	1232.4
80	130.89	1308.9
100	138.50	1385.0
120	146.06	1460.6
140	153.57	1535.7
150	157.32	1573.2

Example for temp range up to +150°C and PT100/1000
Temp range up to 200°C and PT500 available

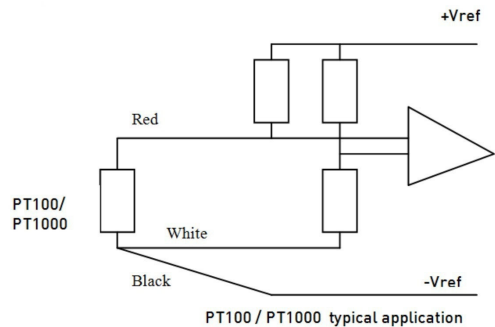
Material Stainless steel

Weight (without cable) 15 g

Protection IP 66

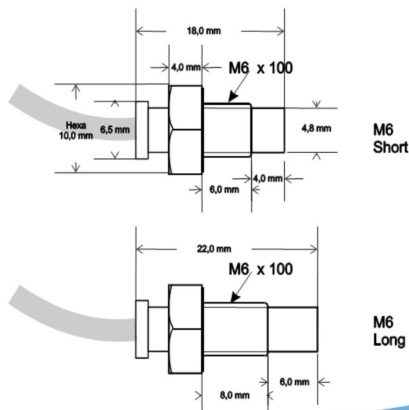
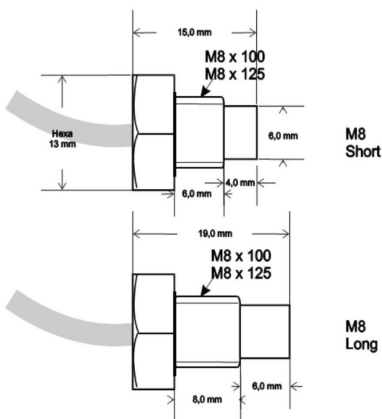
Vibration test Shock 20 Gpp 5'
500 G

Operating temp Storage temp -50 to +150 °C
-50 to +150 °C



Red R- 1
White R- 2
Black R- 2
Braid Not connected

1 m cable of 3X26AWG FEP tinned copper braided cable 250V 200°C



In the interest of continuous product improvement, we reserve the right to alter without prior notice the specific catours and features described in this document