

--

PI-6

PITOT ASSEMBLY TUBE + PRESSURE SENSOR

Ref : _____ SN : _____

Texys sensors are designed for data recording. If the user wants to include this sensor in a close loop system or active control, he must assume all responsibility.

Range	50 to 76 0.72 to 1.10	mbar PSI
Accuracy	1	% FS
Sensitivity	See calibration table	V/FS
Gravity sensitivity	1	mV/G
Cut off frequency	200	Hz
Offset	0.5 +/- 0.1	V
Supply Voltage	5 to 16	V
Supply Current	5	mA
Output Voltage	0-5	V
Output Impedance	47	Ω
Calibrator	Height of water	
Offset Drift (0 to 80°C)	20	mV
Sensitivity Drift (0 to 80°C)	1	% FS
Housing dimensions	28x22x14.5	mm
Standard tube Ø6mm	130x100	mm
Weight (with std tube, without cable)	55	g
Material	Aluminium + stainless steel tube	
Protection	IP 64	
Vibration test	20 Gpp 5'	
Shock	500	G
Operating Temp	0 to +85	°C
Storage Temp	-20 to +125	°C

Max Air speed at 25°C ambient temperature and 1000 mbar atmospheric pressure		
50 mbar	70mbar	76mbar
333 km/h	394 km/h	410 km/h

Warning:

- Do not blow into the tube, with the mouth or an air line
- The sensor withstands humidity, but there is a risk of obstruction if water enters in the tube
- Beware of condensation at low temperature

Sensor Readings		
_____ V at _____ mbar	Sensitivity mV/ mbar	
_____ V at _____ mbar		

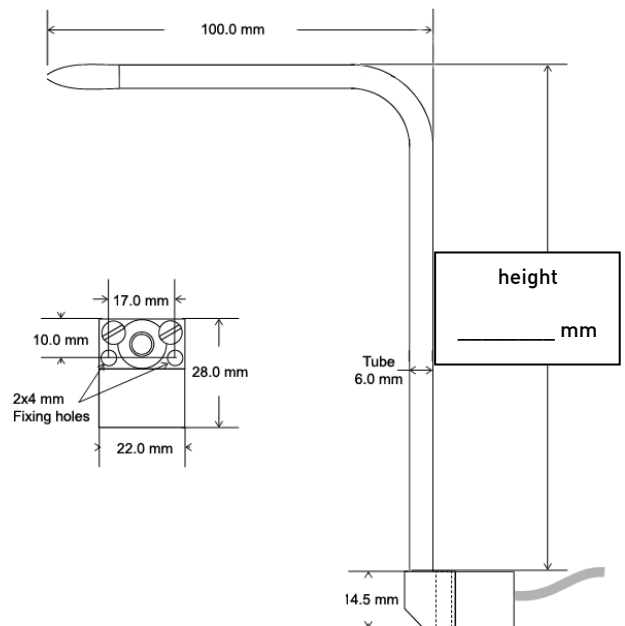
Cable : 3x26AWG FEP Tinned copper braided cable 250V 200°C

Length : _____ mm Tubing: _____

Connector : _____

Colour	Function	Pin
Red	Supply	
Black	0V	
White	Signal	
Braid	Connected to case	

Calibration table			
50 mbar 0.725 Psi	0°5 @ 0	4°5 @ 50 mbar	80 mV/ mbar
70 mbar 1.01 Psi	0°5 @ 0	4°5 @ 70 mbar	57 mV/ mbar
76 mbar 1.10 Psi	0°5 @ 0	4°5 @ 76 mbar	53 mV/ mbar



Ordering ref ex : PI-6-70
 PI - 6 - Range mbar - height mm*
 50
 70
 76
 *Option: PI-6 tube up to 300 mm (std 130mm)