



INF-BS

Bluetooth Smart Low Energy Infrared Temperature Sensor

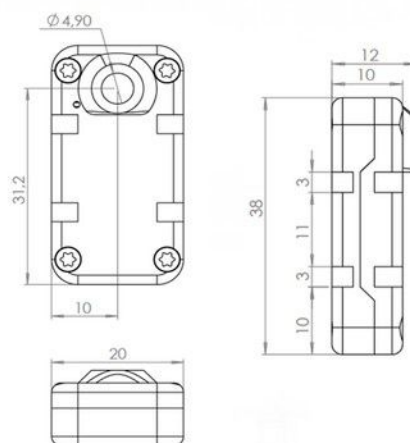
Range **-20 to +200°C**
 Accuracy at FS **See Table**
 Response Time **100 ms**

RF Frequency **2.5 GHz**
 Receiver Sensitivity **-105 dBm**
 RF Emission Power **+5 dBm**

Battery Rating Voltage **3 V**
 Battery Capacity @20°C **120 mAh**
 Battery **CR1632**

Sensitive Element **Thermopile with Silicon Lens**
 Wave Length **8 to 14 μm**
 Calibrator **Fluke 4181**
 Field of View (90° Radiation) **30°**

Dimensions **20 x 12 x 38 mm**
 Material **Plastic PR752**
 Weight (with battery) **11 g**
 Protection **IP64**
 Vibration Test **20 Gpp 5'**
 Shock **500 G**
 Operating Temp **-20 to +80 °C**



Accuracy table % FS				
Target T°C \ Ambient T°C	25	80	150	200
25	1	1	1	1
60	2	1	1	1
80	2	2	2	2

Texys Data content		
Target temperature	sint16	Byte 0 and 1
	-20 to 200°C	0,1°C/bit
Ambient temperature	sint16	Byte 2 and 3
	-20 to 200°C	0,1°C/bit
Battery voltage	sint16	Byte 4 and 5
	0 to 4000 mV	10mV/bit
Data empty	Byte 6 to 19	

Bluetooth parameters		
Device name	INF-BS + S/N	
Password (6 digits)	000000	
Texys Data Service	Short UUID	0x1130
	128 bits UUID	
	0xF000113004514000B000000000000000	

Setup parameters		
Accelerometer idle threshold	500	<u>mG</u>
Accelerometer wake-up threshold	750	<u>mG</u>

