



## INFKL-200 Brake Disk Infrared Temperature Sensor

° C	Volts
	200
	20mV/°C
0	0.50
20	0.90
40	1.30
60	1.70
80	2.10
100	2.50
120	2.90
140	3.30
160	3.70
180	4.10
200	4.50

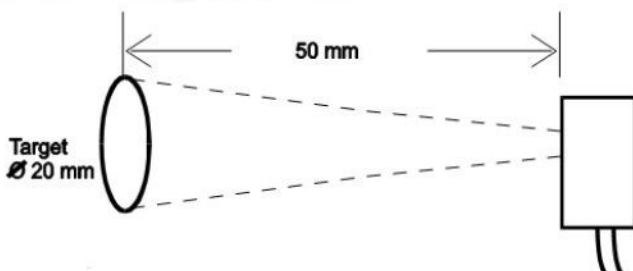
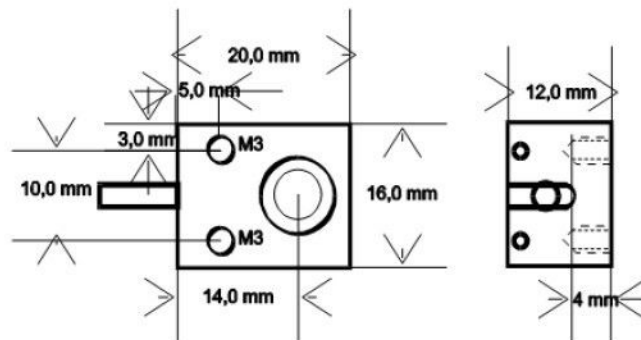
**Range** 200 °C  
**Supply** 5 Volts  
**Output** 0 V to 5 V  
**Sensitivity Signal** 5 mV/°C  
 0.5 V at 0°C  
 4.5 V at 800°C  
**Accuracy** 3 % FS  
**Response Time** 100 ms  
**Supply Current** 1.5 mA

**IR Wave Length** 8 to 14 µm  
**Emissivity** 99 %  
**Calibrator** Land P550P  
**Protection** IP64  
**Vibration Test** 20 Gpp 5'  
**Shocks** 500 G  
**Operating Temperature** 0 to 40 °C (0 to 60 °C for range 800)  
**Storage Temperature** -40 to +125 °C

Colour	Function	Pin
Red	5V	
White	Signal	
Black	0 V	

**Housing** Aluminium  
**Dimensions** 20 x 16 x 12 mm  
**Weight** 15 g

**Measurement Distance** 30 to 150 mm  
**Field of View** 2.5 : 1



A damaged or dirty lens will reduce the output signal.  
Clean lens with pure alcohol only.