



INFKL-150 Brake Disk Infrared Temperature Sensor

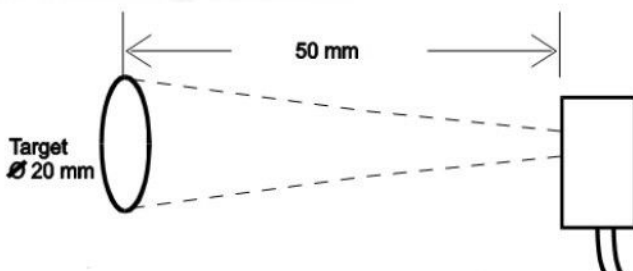
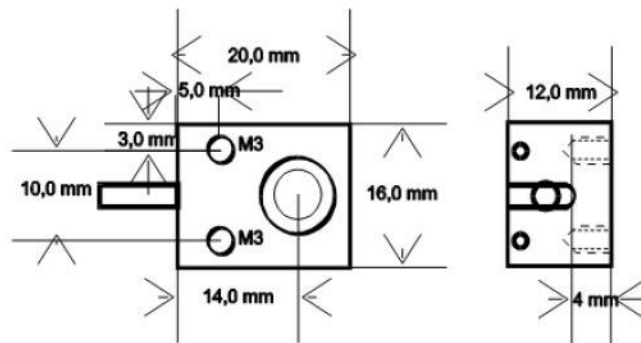
Range 150 °C
Supply 5 Volts
Output 0 V to 5 V
Sensitivity Signal 5 mV/°C
 0.5 V at 0°C
 4.5 V at 800°C
Accuracy 3 % FS
Response Time 100 ms
Supply Current 1.5 mA

Calibration table	
° C	Volts
	150
	30 mV/°C
0	0,40
20	1,00
40	1,60
60	2,20
80	2,80
100	3,40
120	4,00
140	4,60

IR Wave Length 8 to 14 µm
Emissivity 99 %
Calibrator Land P550P
Protection IP64
Vibration Test 20 Gpp 5'
Shocks 500 G
Operating Temperature 0 to 40 °C (0 to 60 °C for range 800)
Storage Temperature -40 to +125 °C

Colour	Function	Pin
Red	5V	
White	Signal	
Black	0 V	

Housing Aluminium
Dimensions 20 x 16 x 12 mm
Weight 15 g
Measurement Distance 30 to 150 mm
Field of View 2.5 : 1



A damaged or dirty lens will reduce the output signal.
Clean lens with pure alcohol only.

In the interest of continuous product improvement, we reserve the right to alter, without prior notice, the specifications and features described on this document.