

GYRN3-S

3 AXIS GYROSCOPE

Ref: GYRN3-S-X#-Y#-Z#

SN: G#####

Software version: v#.##

Texsys sensors are designed for data recording. If the user wants to include this sensor in a close loop system or active control, he must assume all responsibility.

Range	±50, ±100, ±150, ±300 or ±900	°/s
Accuracy	2	%FS
Sensitivity	40, 20, 13.33, 6.67 or 2.22	mV/°/s
Cut off frequency	40	Hz
Supply Voltage	5 to 16	V
Supply Current	16	mA
Output Impedance	47	Ω
Linear analog output	0 to 5	V
Output signal at 0°/sec	2.5	V
Calibrator	Acutronic AC1120S	
Error at 0°/sec	±1	°/s
Cross axis sensitivity	3	%
Offset Drift (20 to 80°C)	±0.5	°/s
Offset Drift (20 to 100°C)	±0.8	°/s
Gain Drift (20 to 80°C)	±0.3	%
Gain Drift (20 to 100°C)	±1	%
Dim	30 x 21.5 x 11	mm
Material	Aluminium	
Weight (without cable)	21	g
Protection	IP66	
Vibration test	20Gpp 5'	
Shock	1000	G
Operating Temp	-20 to +105	°C
Storage Temp	-40 to +125	°C

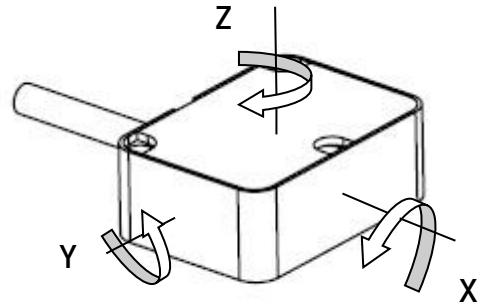
Sensor Readings		
	mV at 0°/s	mV/°/s
X		
Y		
Z		

Cable: 6x26AWG FEP Tinned copper braided cable 250V 200°C

Length :1000 mm Tubing: _____

Connector: _____

Colour	Function	Pin
Red	Supply	
Black	0V	
White	Signal X	
Green	Signal Y	
Yellow	Signal Z	
Blue	Do not connect and isolate	



Ordering ref:

GYRN3-S-XRange-YRange-ZRange

Range						
Code	A	B	C	D	E	N
Range	50°/s	100°/s	150°/s	300°/s	900°/s	Not wired

Ex: GYRN3-S-XA-YB-ZC

Calibration Table

Range °/s	±50°/s	±100°/s	±150°/s	±300°/s	±900°/s
	40mV/°/s	20mV/°/s	13.33mV/°/s	6.67mV/°/s	2.22mV/°/s
-900					0.500
-300				0.500	1.833
-150			0.500	1.500	2.167
-100		0.500	1.167	1.833	2.278
-50	0.500	1.500	1.833	2.167	2.389
0	2.500	2.500	2.500	2.500	2.500
50	4.500	3.500	3.167	2.833	2.611
100		4.500	3.833	3.167	2.722
150			4.500	3.500	2.833
300				4.500	3.167
900					4.500

 Out of Range

Mechanical drawing

