



DPS-L

Differential dry air pressure sensor

SN: P#####

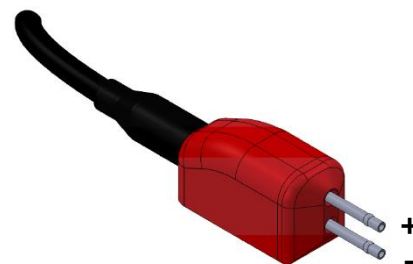
Texense sensors are designed for data logging. Should the users want to include this sensor in a closed loop system, they must undertake total responsibility from doing so.

Range	50 to 350	mbar
	0.725 to 5.076	Psi
Accuracy	Unidirectional 2	%FS
	Bidirectional 1	
Offset	Unidirectional 0.5 ± 0.1	V
	Bidirectional 2.5 ± 0.1	
Sensitivity	Unidirectional 4 ± 0.04	V/FS
	Bidirectional 2 ± 0.02	
Offset Drift (from 0 to 80°C)	20	mV
Sensitivity Drift (from 0 to 80°C)	1	% FS
Cut off frequency at -3dB	200	Hz
Calibrator	Mensor CPC 4000	
Supply Voltage	6 to 16	V
Supply Current	2	mA
Output Voltage	0...5	V
Output Impedance	47	Ω
Dim	56.3 x 12 x 14	mm
Weight (without cable)	13	g
Material	Aluminium	
Protection	IP 64	
Proof Pressure	>1300	mbar
Vibration test	20 Gpp 5'	
Shock	500	G
Operating Temp	0 to +85	°C
Storage Temp	-20 to +125	°C

Date	Operator
Customer	
Order	
Product Ref	DPS-L-##-###

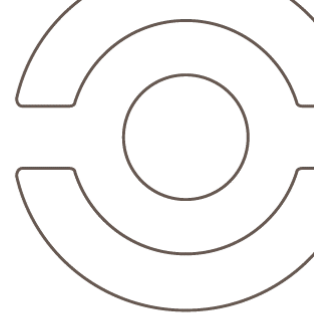
Sensor Readings		Sensitivity mV/mbar
_____ V at _____ mbar		
_____ V at _____ mbar		

Cable		
3x26 AWG FEP tinned copper braided cable 250V 200°C		
Length: 1000mm		Tubing: 50mm
Connector: on request		
Color	Function	Pin
Red	Supply input	-
Black	0V	-
White	Signal	-
Braid	Connected to case	



Warning:

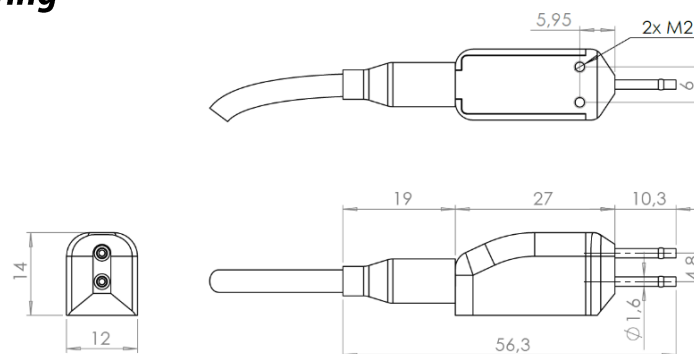
- Do not blow into the tubes, with the mouth or an air line
- The sensor doesn't withstand high humidity, there is a risk of obstruction if water enters into the tubes
- Beware of condensation at low temperature



Calibration table

Calibration table (examples)				
Unidirectional	0.5V @	2.5V @	4.5V @	Sensitivity
50 mbar	0	25 mbar	50 mbar	80.00 mV/mbar
0.725 Psi				
70 mbar	0	35 mbar	70 mbar	57.14 mV/mbar
1.015 Psi				
76 mbar	0	38 mbar	76 mbar	52.63 mV/mbar
1.102 Psi				
100 mbar	0	50 mbar	100 mbar	40.00 mV/mbar
1.450 Psi				
190 mbar	0	95 mbar	190 mbar	21.05 mV/mbar
2.756 Psi				
350 mbar	0	175 mbar	350 mbar	11.43 mV/mbar
5.076 Psi				
Bidirectional	0.5V @	2.5V @	4.5V @	Sensitivity
50 mbar	-50 mbar	0	50 mbar	40.00 mV/mbar
0.725 Psi				
70 mbar	-70 mbar	0	70 mbar	28.57 mV/mbar
1.015 Psi				
76 mbar	-76 mbar	0	76 mbar	26.31 mV/mbar
1.102 Psi				
100 mbar	-100 mbar	0	100 mbar	20.00 mV/mbar
1.450 Psi				
190 mbar	-190 mbar	0	190 mbar	10.53 mV/mbar
2.756 Psi				
350 mbar	-350 mbar	0	350 mbar	5.71 mV/mbar
5.076 Psi				

Mechanical drawing



Ordering information

Ordering ref:	
DPS-L – <u>Range mbar</u> - <u>Offset</u>	
50	0.5 (unidirectional)
70	
76	2.5 (bidirectional)
100	
190	
350	
ex: DPS-L-50-0.5	