



AC-CAP3

3 axis capacitive accelerometer

SN: A#####

Texense sensors are designed for data logging. Should the users want to include this sensor in a closed loop system, they must undertake total responsibility from doing so.

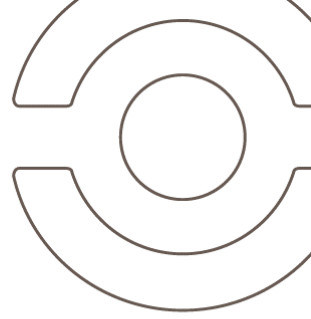
Measurement features		
Range	±5, ±10, ±15, ±20	G
Sensitivity	400 to 100 ±2%	mV/G
Sensitivity Drift (20 to 80°C)	±2,5	%
Signal at 0G	2.500 ± 0.050	V
Offset Drift (20 to 80°C)	±30	mV
Standard cut off frequency -3dB	70	Hz
Max Cut off frequency -3dB (on request)	XY	700 Hz
	Z	500 Hz
Calibrator	LDS V406	
Resonance	5000	Hz
Typical Cross axis sensitivity	3	%
Electrical features		
Supply Voltage	5 to 16	V
Supply Current	< 3	mA
Output Voltage	0 – 5	V
Output Impedance	68	Ω
Mechanical features		
Dim	25x16x8	mm
Material	Aluminium	
Weight	15	g
Protection	IP66	
Environment		
Vibration test	20Gpp 5'	
Shock	1000	G
Operating Temp	-20 to +100	°C
Storage Temp	-40 to +125	°C

Date		Operator	
Order			
Customer			
Product Ref	AC-CAP3-##		

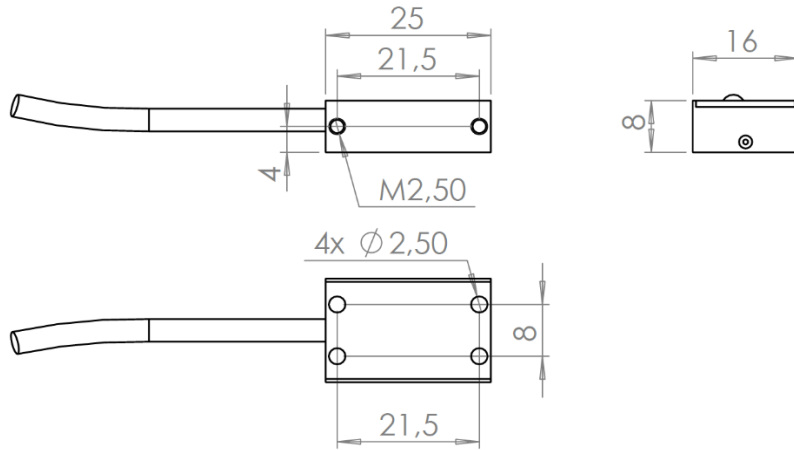
Sensor readings			
	X	Y	Z
Signal (V) @ -1G			
Signal (V) @ 0G			
Signal (V) @ +1G			
Sensitivity (mV/G)			
Cut off frequency (Hz) at -3 dB			
Cross Axis (%)			

Cable		
5x26 AWG FEP tinned copper braided cable 250V 200°C		
Length: 1000mm		Tubing: 50mm Connector: on request
Color	Function	Pin
Red	Supply	
Black	0V	
White	Signal X	
Green	Signal Y	
Yellow	Signal Z	
Braid	Not connected	

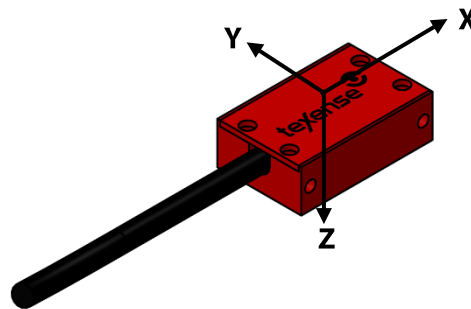
Calibration table				
	5G 400 mV/G	10G 200 mV/G	15G 133mV/G	20G 100mV/G
-20				0.500
-15			0.500	1.000
-10		0.500	1.167	1.500
-5	0.500	1.500	1.833	2.000
0	2.500	2.500	2.500	2.500
+5	4.500	3.500	3.167	3.000
+10		4.500	3.833	3.500
+15			4.500	4.000
+20				4.500



Mechanical drawing



Axis definition



Ordering information

Ordering ref

AC-CAP3-Range

Range			
±5G	±10G	±15G	±20G

ex: AC-CAP3-5