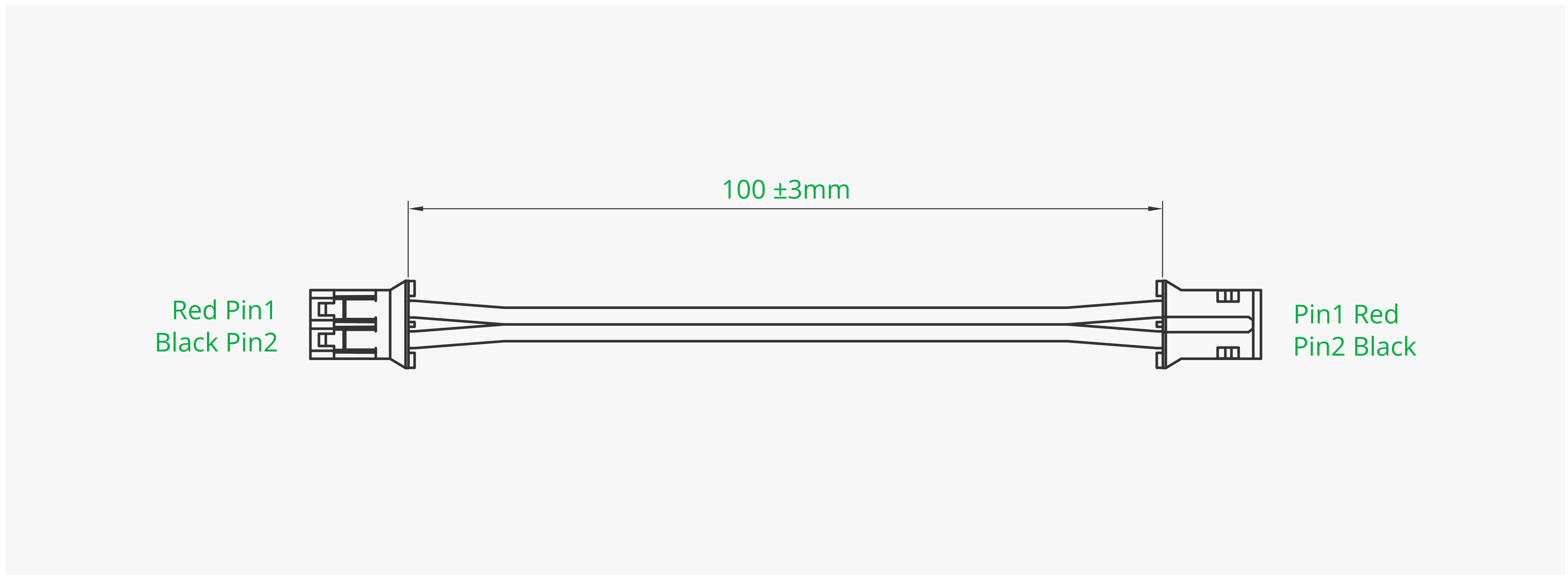


100mm Wire Pair with PH2.0



Product Specifications

Product ID	Connector Model	Length (mm)	Outer Diameter (mm)	Wire Gauge Size	Color
IC008	PH2.0-2P	100	1.0x2.0	26 AWG	Red/Black

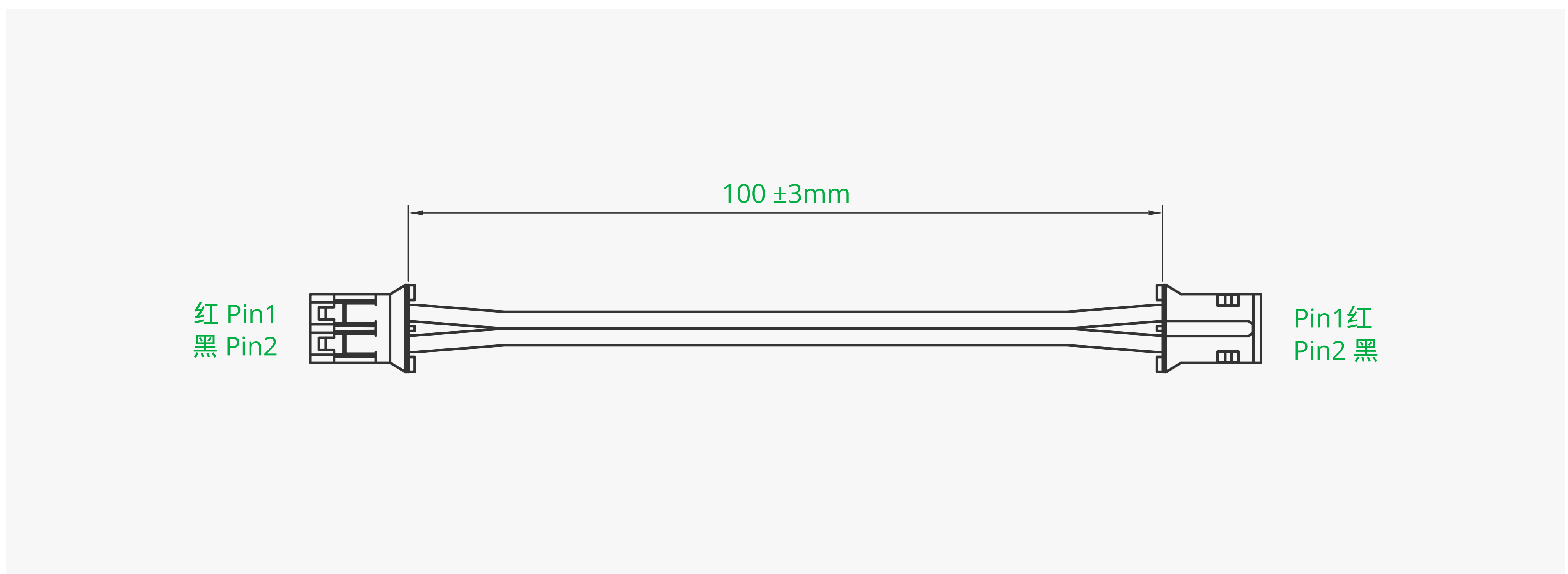
Introduction

- Used in conjunction with a power distribution board, connecting the OUT of one power distribution board to the IN of another power distribution board for the purpose of expanding the power distribution board.

Consideration

- Please hold the connector when plugging and unplugging, and avoid pulling the wires forcefully to avoid the wires being pulled out of the connector.

电源连接线-PH2.0



产品参数

产品 ID	端子型号	线长 (mm)	线粗 (mm)	线号	颜色
IC008	PH2.0-2P	100	1.0x2.0	26AWG	红/黑

介绍

- 搭配分电板使用，连接一个分电板的OUT接口和另一个分电板的IN接口，用于扩展分电板。

注意事项

- 请手握连接器进行拔插，请勿大力拖拽导线，以免导线从连接器脱出。