

Siesta Fiora



Siesta Fiora



Siesta Fiora

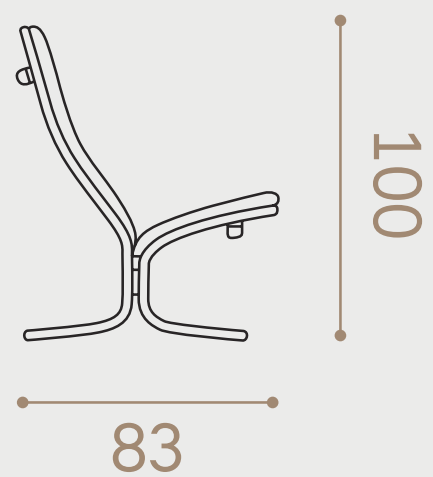


Siesta Fiora

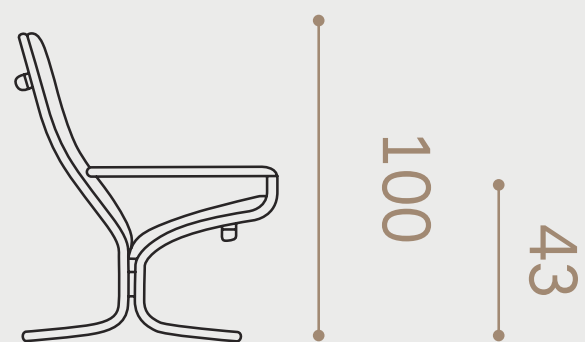


Siesta Fiora

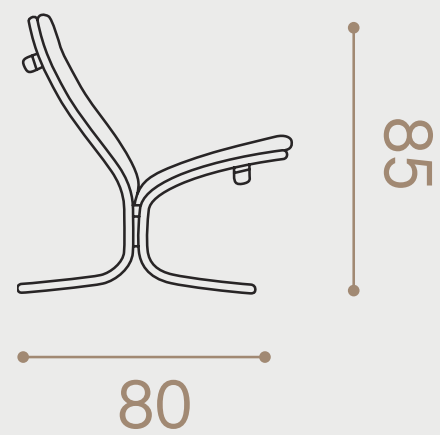
SIE305



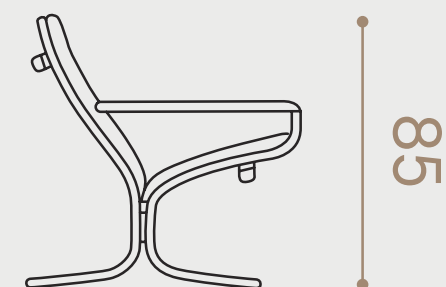
SIE306



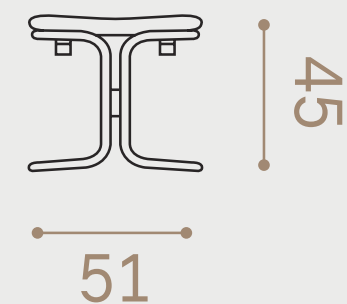
SIE307



SIE308



SIE309





Ingmar Relling

Ingmar Relling (1920-2002) was an impassioned designer who created a series of functional furniture designs during his long career. He started his career at Rastad & Relling design studio in 1947 before establishing his own studio in Sykkylven in 1950. Today, he is considered as one of the greatest contributors to the golden era of Scandinavian Design. Simplicity, minimalism, elegance and uncompromising quality are key concepts in all of Relling's designs.

In 1965, Ingmar Relling designed his greatest creation: the Siesta chair. It earned him first prize at the Industry Council for Furniture and Furnishing Industry Chair competition the same year. Even the White House was furnished with Ingmar Relling's Siesta. Today, the Siesta chair stands out as an internationally recognised classic and a Norwegian icon.